

LSRM205ST MK2030F

Counter-Top MWO & Trim Kit



Built-In Style

COOKING PERFORMANCE

- 2.0 cu. ft. Oven Capacity
- 1200 Watts
- Sensor Cook
- 10 Power Levels
- 6 Auto Cook Options

STYLE AND DESIGN

- Premium Stainless Steel Finish
- Round Interior Cavity

CONVENIENCE

- Space Saving Counter-top Microwave with Optional Trim Kit



● Stainless Steel (ST)

LSRM205ST MK2030F



Counter-Top MWO & Trim Kit

Sensor Cook

Senses humidity inside the oven and automatically adjusts cook time and power appropriately. Once your food is thoroughly cooked, the microwave shuts itself off, reducing the risk of under or over-cooking.

Round Cavity

LG's innovative curved cavity maximizes turntable size and increases your usable space. It can accommodate large, round serving dishes, and also eliminates hard to reach corners and makes cleaning a breeze.

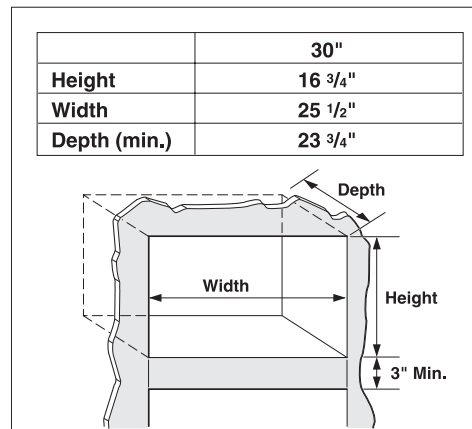
Style and Design

This unit's beautiful stainless finish complements any kitchen décor, and an optional trim-kit is available for a premium built-in look.



CAPACITY	
Oven Capacity	2.0 cu. ft.
FEATURES	
Watts Microwave	1200
Interior Cavity	Round
COOKING FEATURES	
Sensor Cook Options	3
Power Levels	10
Auto and Rapid Defrost	•
Reheat	•
Auto Cook Options	6
Popcorn Key	•
EZ On	•
More/Less	•
Kids' Menu	•
CONVENIENCE FEATURES	
Control Type	Keypad
Turntable Diameter	16"
Clock/Timer	•
Completion Beeper	•
SAFETY FEATURES	
Child Lock	•
MATERIALS/FINISHES	
Available Colors	Stainless Steel (ST)
DIMENSIONS	
Cavity (WxHxD)	17 1/6" x 10 7/8" x 18 5/16"
Exterior (WxHxD)	23 7/8" x 13 9/16" x 19 13/16"
Shipping (WxHxD)	27 25/32" x 15 7/16" x 21 1/4"
Trim Kit (WxHxD)	29 13/16" x 19 3/16" x 13/16"
Net Weight	45 lbs.
ACCESSORIES	
MK2030F (30" Trim Kit)	Optional
WARRANTY	
	2 Years Parts and Labor, 10 Years Limited on Magnetron
UPC CODE	
LSRM205ST Microwave	48231316675
MK2030F Trim Kit	48231316682

MK2030F Trim Kit Cut-Out Dimensions



www.LG.com

LG Electronics U.S.A., Inc.
1000 Sylvan Avenue Englewood Cliffs, NJ 07632
Customer Service and Technical Support: (800) 243-0000

Dimensions and weights are approximate. Design, features and specifications subject to change without notice.

© 2010 LG Electronics USA, Inc. All rights reserved. "LG Life's Good" is a registered trademark of LG Corp. All other product and brand names are trademarks or registered trademarks of their respective companies. 07/10