

LG

Multi Outdoor Unit

Heat Pump

MFL67502717

TOTAL HVAC SOLUTION PROVIDER

ENGINEERING PRODUCT DATA BOOK

Multi Outdoor Unit General Information

Model Line Up

1. Model Line Up

Product	Phase	Chassis	Capacity Index	Model Name
			kW	
Multiple type	1	U18A	5.28	Z2UW18GFB1
			6.15	Z3UW21GFB1
		U24A	7.03	Z3UW24GFB1
		U36A	8.79	Z4UW30GFB1
			10.55	Z5UW36GFB1
			14.01	Z5UW48GFB1

* The capacity index may differ from actual capacity values.

Product Data

Multiple type

Multiple type

- 1. Specifications**
- 2. List of Functions**
- 3. Accessory Compatibility List**
- 4. Dimensions**
- 5. Piping Diagrams**
- 6. Wiring Diagrams**
- 7. Capacity Tables**
- 8. Combination Table**
- 9. Operation Limits**
- 10. Sound Levels**

1. Specifications

1.1 Product

Z2UW18GFB1

Category		Unit	Specification
Major	Minor		
Classification	Chassis	-	U18A
Power Supply	Case 1	V, Phase, Hz	220, 1, 60
	Case 2	V, Phase, Hz	220-230-240, 1, 50
	Limit Range of Voltage(Case 1)	V	187~276
	Limit Range of Voltage(Case 2)	V	-
Testing Combination	-	Model x No.	AMNW09GSJR0 x 2
Cooling Capacity	Rated	kW	5.28
		Btu/h	18,000
	Min ~ Max	kW	1.58~5.98
		Btu/h	5,400~20,400
Heating Capacity	Rated	kW	5.80
		Btu/h	19,800
	Min ~ Max	kW	1.76~6.45
		Btu/h	6,000~22,000
Power Input(Cooling)	Rated	kW	1.51
	Min ~ Max	kW	0.39~1.89
Power Input(Heating)	Rated	kW	1.48
	Min ~ Max	kW	0.34~1.89
Efficiency	EER	W/W	3.50
	COP	W/W	3.92
Running Current(Cooling)	Rated	A	7.00
	Min/Max	A	1.80 / 8.70
Running Current(Heating)	Rated	A	6.90
	Min/Max	A	1.60 / 8.80
Running Current	Maximum Running Current	A	13.10
Power Factor(Cooling/Heating)	Rated	-	0.98 / 0.98
Outdoor Fan	Type	-	Propeller
	Air Flow Rate	m ³ /min	35
	Max. External Static Pressure	Pa	-
Outdoor Fan Motor	Type	-	BLDC
	Drive	-	Extenal
	Output	W x No.	43 x 1
Compressor	Type	-	Twin Rotary
	Model x No.	-	DST156MAA x 1
	Motor Type	-	BLDC
	Motor Output	W x No.	1,010 x 1
	Oil Type	-	FW68D
	Oil Charging amount	cc x No.	400 x 1
Heat Exchanger	Rows x Columns x FPI	-	2 x 24 x 14
	No.	-	1
	Fin Type	-	Wide Louver Plus
	Material (Tube/Fin)	-	Cu/Al
	Face Area	m ²	-
Dimensions	Net(W x H x D)	mm	770 x 545 x 288
	Shipping(W x H x D)	mm	920 x 588 x 388
Weight	Net	kg	32.6
	Shipping	kg	35.3
Exterior	Color	-	Warm Gray
	RAL (Classic)	-	RAL 7044

1. Specifications

Category		Unit	Specification
Major	Minor		
Protection Device	High Pressure Prevention	-	O
	Frost Prevention	-	O
	Discharge Temperature Control	-	O
	Inverter Protection	-	O
Refrigerant	Type	-	R32
	Precharged Amount	kg	1.250
	Additional Charging amount(Main)	g/m	-
	Additional Charging amount(Branch)	g/m	20
	GWP(Global Warming Potential)	-	675
	t-CO ₂ eq.	-	0.844
	Chargeless-Pipe Length(Main)	m	-
	Chargeless-Pipe Length(Branch)	m	30
	Control Type	-	Electronic Expansion Valve
Pipe Connecting Socket	Liquid	mm(inch) x No.	Ø 6.35 (1/4) × 2
	Gas	mm(inch) x No.	Ø 9.52 (3/8) × 2
	Connection Type(Liquid)	-	Flare
	Connection Type(Gas)	-	Flare
Piping Length	Total Piping(Max)	m	30
	Main Piping(Rated / Max / Min)	m	-
	Total Branch(Max)	m	-
	Each Branch(Rated / Max / Min)	m	7.5 / 20 / -
Maximum Height Difference	IDU - ODU(Max)	m	15
	IDU - IDU(Max)	m	7.5
	BD - IDU(Max)	m	-
	BD - BD(Max)	m	-
Sound Pressure Level (Outdoor Unit)	Cooling / Heating (@ 1.5m height)	dB(A)	47.0 / 49.0
Measurement Standard (Pressure Level)	-	-	ISO 3745
Sound Power Level (Outdoor Unit)	Cooling / Heating	dB(A)	-
Measurement Standard (Power Level)	-	-	-
Connecting Cable	Power Supply Cable(H07RN-F,included earth) (to ODU)	mm ² × cores	2.5 × 3C
Electrical Characteristic	Minimum Circuit Amperes (MCA)	A	13.1
	Maximum Fuse Amperes (MFA)	A	14
	Comp_Rated Load Amperes (Max)	A	9.0
	Outdoor Fan Motor_Full Load Amperes	A	0.25
Combination Limit	Number of Indoor Units	EA	2
	Number of BD Units	EA	-
Allowable Total Capacity of Connected Indoor Unit	Max	kBtu/h	27
Allowable Max. Capacity for individual Indoor unit	Max	kBtu/h	18

Note

- Due to our policy of innovation some specifications may be changed without notification.
- Wiring cable size must comply with the applicable local and national codes. And "Electric characteristics" should be considered for electrical work and design. Especially the power cable and circuit breaker should be selected in accordance with that.
- Power factor could vary less than ±1% according to the operating conditions.
- Sound level values are depend on the ambient conditions and values are normally higher in actual operation.
- This product contains Fluorinated greenhouse gases.
- Voltage supplied to the unit terminals should be within the minimum and maximum range.
- Maximum allowable voltage unbalance between phase is 2%.
- MSC means the Max. current during the starting of compressor.
- MSC and RLA are measured as the compressor only test condition.
- OFM and IFM are measured as the outdoor unit test condition.
- Select the wire size based on MCA.
- MFA is used to select the circuit breaker and ground fault circuit interrupter, and all installation site must require attachment of an earth leakage breaker. [circuit breaker type is ELCB(Earth Leakage Circuit Breaker)].

1. Specifications

- Performances are based on the following conditions :
 - Cooling : Indoor Ambient Temp. 27°CDB / 19°CWB, Outdoor Ambient Temp. 35°CDB / 24°CWB
 - Heating : Indoor Ambient Temp. 20°CDB / 15°CWB, Outdoor Ambient Temp. 7°CDB / 6°CWB
 - Interconnected Pipe Length is standard length and difference of Elevation (Outdoor ~ Indoor Unit) is 0m.

1. Specifications

Z3UW21GFB1

Category		Unit	Specification
Major	Minor		
Classification	Chassis	-	U18A
Power Supply	Case 1	V, Phase, Hz	220, 1, 60
	Case 2	V, Phase, Hz	220-230-240, 1, 50
	Limit Range of Voltage(Case 1)	V	187 ~ 276
	Limit Range of Voltage(Case 2)	V	-
Testing Combination	-	Model x No.	AMNW09GSJR0 x 1 + AMNW12GSJR0 x 1
Cooling Capacity	Rated	kW	6.15
		Btu/h	21,000
	Min ~ Max	kW	1.58~7.03
		Btu/h	5,400~24,000
Heating Capacity	Rated	kW	6.15
		Btu/h	21,000
	Min ~ Max	kW	1.76~7.03
		Btu/h	6,000~24,000
Power Input(Cooling)	Rated	kW	1.93
	Min ~ Max	kW	0.39~2.39
Power Input(Heating)	Rated	kW	1.63
	Min ~ Max	kW	0.34~2.09
Efficiency	EER	W/W	3.19
	COP	W/W	3.79
Running Current(Cooling)	Rated	A	7.80
	Min/Max	A	1.80 / 11.10
Running Current(Heating)	Rated	A	7.50
	Min/Max	A	1.60 / 9.70
Running Current	Maximum Running Current	A	14.50
Power Factor(Cooling/Heating)	Rated	-	0.98 / 0.98
Outdoor Fan	Type	-	Propeller
	Air Flow Rate	m ³ /min	35
	Max. External Static Pressure	Pa	-
Outdoor Fan Motor	Type	-	BLDC
	Drive	-	External
	Output	W x No.	43 x 1
Compressor	Type	-	Twin Rotary
	Model x No.	-	DST156MAA x 1
	Motor Type	-	BLDC
	Motor Output	W x No.	1,010 (at 60Hz) × 1
	Oil Type	-	FW68D
	Oil Charging amount	cc x No.	400 x 1
Heat Exchanger	Rows x Columns x FPI	-	2 x 24 x 14
	No.	-	1
	Fin Type	-	Wide Louver Plus
	Material (Tube/Fin)	-	Cu / Al
	Face Area	m ²	-
Dimensions	Net(W x H x D)	mm	770 x 545 x 288
	Shipping(W x H x D)	mm	920 x 588 x 388
Weight	Net	kg	33.4
	Shipping	kg	36.1
Exterior	Color	-	Warm Gray
	RAL (Classic)	-	RAL 7044
Protection Device	High Pressure Prevention	-	O
	Frost Prevention	-	O

1. Specifications

Category		Unit	Specification
Major	Minor		
Protection Device	Discharge Temperature Control	-	O
	Inverter Protection	-	O
Refrigerant	Type	-	R32
	Precharged Amount	kg	1.250
	Additional Charging amount(Main)	g/m	-
	Additional Charging amount(Branch)	g/m	20
	GWP(Global Warming Potential)	-	675
	t-CO ₂ eq.	-	0.844
	Chargeless-Pipe Length(Main)	m	-
	Chargeless-Pipe Length(Branch)	m	30
	Control Type	-	Electronic Expansion Valve
Pipe Connecting Socket	Liquid	mm(inch) x No.	Ø 6.35 (1/4) × 3
	Gas	mm(inch) x No.	Ø 9.52 (3/8) × 3
	Connection Type(Liquid)	-	Flare
	Connection Type(Gas)	-	Flare
Piping Length	Total Piping(Max)	m	40
	Main Piping(Rated / Max / Min)	m	-
	Total Branch(Max)	m	-
	Each Branch(Rated / Max / Min)	m	7.5 / 20 / -
Maximum Height Difference	IDU - ODU(Max)	m	15
	IDU - IDU(Max)	m	7.5
	BD - IDU(Max)	m	-
	BD - BD(Max)	m	-
Sound Pressure Level (Outdoor Unit)	Cooling / Heating (@ 1.5m height)	dB(A)	48.0 / 50.0
Measurement Standard (Pressure Level)	-	-	ISO 3745
Sound Power Level (Outdoor Unit)	Cooling / Heating	dB(A)	-
Measurement Standard (Power Level)	-	-	-
Connecting Cable	Power Supply Cable(H07RN-F,included earth) (to ODU)	mm ² × cores	2.5 x 3C
Electrical Characteristic	Minimum Circuit Amperes (MCA)	A	13.3
	Maximum Fuse Amperes (MFA)	A	16
	Comp_Rated Load Amperes (Max)	A	10.5
	Outdoor Fan Motor_Full Load Amperes	A	0.33
Combination Limit	Number of Indoor Units	EA	3
	Number of BD Units	EA	-
Allowable Total Capacity of Connected Indoor Unit	Max	kBtu/h	33
Allowable Max. Capacity for individual Indoor unit	Max	kBtu/h	18

Note

- Due to our policy of innovation some specifications may be changed without notification.
- Wiring cable size must comply with the applicable local and national codes. And "Electric characteristics" should be considered for electrical work and design. Especially the power cable and circuit breaker should be selected in accordance with that.
- Power factor could vary less than ±1% according to the operating conditions.
- Sound level values are depend on the ambient conditions and values are normally higher in actual operation.
- This product contains Fluorinated greenhouse gases.
- Voltage supplied to the unit terminals should be within the minimum and maximum range.
- Maximum allowable voltage unbalance between phase is 2%.
- MSC means the Max. current during the starting of compressor.
- MSC and RLA are measured as the compressor only test condition.
- OFM and IFM are measured as the outdoor unit test condition.
- Select the wire size based on MCA.
- MFA is used to select the circuit breaker and ground fault circuit interrupter, and all installation site must require attachment of an earth leakage breaker. [circuit breaker type is ELCB(Earth Leakage Circuit Breaker)].
- Performances are based on the following conditions :
 - Cooling : Indoor Ambient Temp. 27°CDB / 19°CWB, Outdoor Ambient Temp. 35°CDB / 24°CWB
 - Heating : Indoor Ambient Temp. 20°CDB / 15°CWB, Outdoor Ambient Temp. 7°CDB / 6°CWB
 - Interconnected Pipe Length is standard length and difference of Elevation (Outdoor ~ Indoor Unit) is 0m.

1. Specifications

Z3UW24GFB1

Category		Unit	Specification
Major	Minor		
Classification	Chassis	-	U24A
Power Supply	Case 1	V, Phase, Hz	220, 1, 60
	Case 2	V, Phase, Hz	220-230-240, 1, 50
	Limit Range of Voltage(Case 1)	V	187 - 276
	Limit Range of Voltage(Case 2)	V	-
Testing Combination	-	Model x No.	AMNW09GSJR0 x 3EA
Cooling Capacity	Rated	kW	7.03
		Btu/h	24,000
	Min ~ Max	kW	1.76~8.09
		Btu/h	6,000~27,600
Heating Capacity	Rated	kW	7.50
		Btu/h	25,600
	Min ~ Max	kW	1.76~8.09
		Btu/h	6,500~27,600
Power Input(Cooling)	Rated	kW	1.93
	Min ~ Max	kW	0.39~2.71
Power Input(Heating)	Rated	kW	1.88
	Min ~ Max	kW	0.38~2.42
Efficiency	EER	W/W	3.65
	COP	W/W	4.00
Running Current(Cooling)	Rated	A	8.90
	Min/Max	A	1.80 / 12.60
Running Current(Heating)	Rated	A	8.70
	Min/Max	A	1.80 / 11.20
Running Current	Maximum Running Current	A	14.50
Power Factor(Cooling/Heating)	Rated	-	0.98 / 0.98
Outdoor Fan	Type	-	Propeller
	Air Flow Rate	m ³ /min	50
	Max. External Static Pressure	Pa	-
Outdoor Fan Motor	Type	-	BLDC
	Drive	-	External
	Output	W x No.	85.4 × 1
Compressor	Type	-	Twin Rotary
	Model x No.	-	DST156MA × 1
	Motor Type	-	BLDC
	Motor Output	W x No.	1,010 (at 60Hz) × 1
	Oil Type	-	FW68D
	Oil Charging amount	cc x No.	400 × 1
Heat Exchanger	Rows x Columns x FPI	-	2 × 28 × 14
	No.	-	1
	Fin Type	-	Wide Louver Plus
	Material (Tube/Fin)	-	Cu / Al
	Face Area	m ²	-
Dimensions	Net(W x H x D)	mm	870 x 650 x 330
	Shipping(W x H x D)	mm	1,046 x 713 x 461
Weight	Net	kg	41.8
	Shipping	kg	46.0
Exterior	Color	-	Warm Gray
	RAL (Classic)	-	RAL 7044
Protection Device	High Pressure Prevention	-	O
	Frost Prevention	-	O

1. Specifications

Category		Unit	Specification
Major	Minor		
Protection Device	Discharge Temperature Control	-	O
	Inverter Protection	-	O
Refrigerant	Type	-	R32
	Precharged Amount	kg	1.550
	Additional Charging amount(Main)	g/m	-
	Additional Charging amount(Branch)	g/m	20
	GWP(Global Warming Potential)	-	675.0
	t-CO ₂ eq.	-	1.046
	Chargeless-Pipe Length(Main)	m	-
	Chargeless-Pipe Length(Branch)	m	40
	Control Type	-	Electronic Expansion Valve
Pipe Connecting Socket	Liquid	mm(inch) x No.	Ø 6.35 (1/4) × 3
	Gas	mm(inch) x No.	Ø 9.52 (3/8) × 3
	Connection Type(Liquid)	-	Flare
	Connection Type(Gas)	-	Flare
Piping Length	Total Piping(Max)	m	50
	Main Piping(Rated / Max / Min)	m	-
	Total Branch(Max)	m	-
	Each Branch(Rated / Max / Min)	m	7.5 / 25 / -
Maximum Height Difference	IDU - ODU(Max)	m	15
	IDU - IDU(Max)	m	7.5
	BD - IDU(Max)	m	-
	BD - BD(Max)	m	-
Sound Pressure Level (Outdoor Unit)	Cooling / Heating (@ 1.5m height)	dB(A)	48.0 / 51.0
Measurement Standard (Pressure Level)	-	-	ISO 3745
Sound Power Level (Outdoor Unit)	Cooling / Heating	dB(A)	-
Measurement Standard (Power Level)	-	-	-
Connecting Cable	Power Supply Cable(H07RN-F,included earth) (to ODU)	mm ² × cores	2.5 x 3C
Electrical Characteristic	Minimum Circuit Amperes (MCA)	A	14.5
	Maximum Fuse Amperes (MFA)	A	16
	Comp_Rated Load Amperes (Max)	A	10.5
	Outdoor Fan Motor_Full Load Amperes	A	0.33
Combination Limit	Number of Indoor Units	EA	3
	Number of BD Units	EA	-
Allowable Total Capacity of Connected Indoor Unit	Max	kBtu/h	39
Allowable Max. Capacity for individual Indoor unit	Max	kBtu/h	24

Note

- Due to our policy of innovation some specifications may be changed without notification.
- Wiring cable size must comply with the applicable local and national codes. And "Electric characteristics" should be considered for electrical work and design. Especially the power cable and circuit breaker should be selected in accordance with that.
- Power factor could vary less than ±1% according to the operating conditions.
- Sound level values are depend on the ambient conditions and values are normally higher in actual operation.
- This product contains Fluorinated greenhouse gases.
- Voltage supplied to the unit terminals should be within the minimum and maximum range.
- Maximum allowable voltage unbalance between phase is 2%.
- MSC means the Max. current during the starting of compressor.
- MSC and RLA are measured as the compressor only test condition.
- OFM and IFM are measured as the outdoor unit test condition.
- Select the wire size based on MCA.
- MFA is used to select the circuit breaker and ground fault circuit interrupter, and all installation site must require attachment of an earth leakage breaker. [circuit breaker type is ELCB(Earth Leakage Circuit Breaker)].
- Performances are based on the following conditions :
 - Cooling : Indoor Ambient Temp. 27°CDB / 19°CWB, Outdoor Ambient Temp. 35°CDB / 24°CWB
 - Heating : Indoor Ambient Temp. 20°CDB / 15°CWB, Outdoor Ambient Temp. 7°CDB / 6°CWB
 - Interconnected Pipe Length is standard length and difference of Elevation (Outdoor ~ Indoor Unit) is 0m.

1. Specifications

Z4UW30GFB1

Category		Unit	Specification
Major	Minor		
Classification	Chassis	-	U36A
Power Supply	Case 1	V, Phase, Hz	220, 1, 60
	Case 2	V, Phase, Hz	220-230-240, 1, 50
	Limit Range of Voltage(Case 1)	V	187 - 276
	Limit Range of Voltage(Case 2)	V	-
Testing Combination	-	Model x No.	AMNW09GSJR0 x 1EA + AMNW07GSJR0 x 3EA
Cooling Capacity	Rated	kW	8.79
		Btu/h	30,000
	Min ~ Max	kW	1.76~9.67
		Btu/h	6,500~33,000
Heating Capacity	Rated	kW	9.29
		Btu/h	31,700
	Min ~ Max	kW	2.05~10.11
		Btu/h	7,000~34,500
Power Input(Cooling)	Rated	kW	2.28
	Min ~ Max	kW	0.39~3.15
Power Input(Heating)	Rated	kW	2.26
	Min ~ Max	kW	0.42~3.10
Efficiency	EER	W/W	3.85
	COP	W/W	4.10
Running Current(Cooling)	Rated	A	10.60
	Min/Max	A	1.80 / 13.60
Running Current(Heating)	Rated	A	10.50
	Min/Max	A	2.00 / 14.40
Running Current	Maximum Running Current	A	18.40
Power Factor(Cooling/Heating)	Rated	-	0.98 / 0.98
Outdoor Fan	Type	-	Propeller
	Air Flow Rate	m ³ /min	60
	Max. External Static Pressure	Pa	-
Outdoor Fan Motor	Type	-	BLDC
	Drive	-	External
	Output	W x No.	124.2 × 1
Compressor	Type	-	Twin Rotary
	Model x No.	-	DKT240MB × 1
	Motor Type	-	BLDC
	Motor Output	W x No.	1,500 (at 60Hz) × 1
	Oil Type	-	FW68D
	Oil Charging amount	cc x No.	670 × 1
Heat Exchanger	Rows x Columns x FPI	-	2 × 38 × 14
	No.	-	1
	Fin Type	-	Wide Louver Plus
	Material (Tube/Fin)	-	Cu / Al
	Face Area	m ²	-
Dimensions	Net(W x H x D)	mm	950 x 834 x 330
	Shipping(W x H x D)	mm	1,140 x 919 x 461
Weight	Net	kg	61.6
	Shipping	kg	68.2
Exterior	Color	-	Warm Gray
	RAL (Classic)	-	RAL 7044
Protection Device	High Pressure Prevention	-	O
	Frost Prevention	-	O

1. Specifications

Category		Unit	Specification
Major	Minor		
Protection Device	Discharge Temperature Control	-	O
	Inverter Protection	-	O
Refrigerant	Type	-	R32
	Precharged Amount	kg	2.200
	Additional Charging amount(Main)	g/m	-
	Additional Charging amount(Branch)	g/m	20
	GWP(Global Warming Potential)	-	675.0
	t-CO ₂ eq.	-	1.485
	Chargeless-Pipe Length(Main)	m	-
	Chargeless-Pipe Length(Branch)	m	40
	Control Type	-	Electronic Expansion Valve
Pipe Connecting Socket	Liquid	mm(inch) x No.	Ø 6.35 (1/4) × 4
	Gas	mm(inch) x No.	Ø 9.52 (3/8) × 4
	Connection Type(Liquid)	-	Flare
	Connection Type(Gas)	-	Flare
Piping Length	Total Piping(Max)	m	70
	Main Piping(Rated / Max / Min)	m	-
	Total Branch(Max)	m	-
	Each Branch(Rated / Max / Min)	m	7.5 / 25 / -
Maximum Height Difference	IDU - ODU(Max)	m	15
	IDU - IDU(Max)	m	7.5
	BD - IDU(Max)	m	-
	BD - BD(Max)	m	-
Sound Pressure Level (Outdoor Unit)	Cooling / Heating (@ 1.5m height)	dB(A)	49.0 / 52.0
Measurement Standard (Pressure Level)	-	-	ISO 3745
Sound Power Level (Outdoor Unit)	Cooling / Heating	dB(A)	-
Measurement Standard (Power Level)	-	-	-
Connecting Cable	Power Supply Cable(H07RN-F,included earth) (to ODU)	mm ² × cores	2.5 x 3C
Electrical Characteristic	Minimum Circuit Amperes (MCA)	A	18.4
	Maximum Fuse Amperes (MFA)	A	20
	Comp_Rated Load Amperes (Max)	A	14.0
	Outdoor Fan Motor_Full Load Amperes	A	0.60
Combination Limit	Number of Indoor Units	EA	4
	Number of BD Units	EA	-
Allowable Total Capacity of Connected Indoor Unit	Max	kBtu/h	51
Allowable Max. Capacity for individual Indoor unit	Max	kBtu/h	24

Note

- Due to our policy of innovation some specifications may be changed without notification.
- Wiring cable size must comply with the applicable local and national codes. And "Electric characteristics" should be considered for electrical work and design. Especially the power cable and circuit breaker should be selected in accordance with that.
- Power factor could vary less than ±1% according to the operating conditions.
- Sound level values are depend on the ambient conditions and values are normally higher in actual operation.
- This product contains Fluorinated greenhouse gases.
- Voltage supplied to the unit terminals should be within the minimum and maximum range.
- Maximum allowable voltage unbalance between phase is 2%.
- MSC means the Max. current during the starting of compressor.
- MSC and RLA are measured as the compressor only test condition.
- OFM and IFM are measured as the outdoor unit test condition.
- Select the wire size based on MCA.
- MFA is used to select the circuit breaker and ground fault circuit interrupter, and all installation site must require attachment of an earth leakage breaker. [circuit breaker type is ELCB(Earth Leakage Circuit Breaker)].
- Performances are based on the following conditions :
 - Cooling : Indoor Ambient Temp. 27°CDB / 19°CWB, Outdoor Ambient Temp. 35°CDB / 24°CWB
 - Heating : Indoor Ambient Temp. 20°CDB / 15°CWB, Outdoor Ambient Temp. 7°CDB / 6°CWB
 - Interconnected Pipe Length is standard length and difference of Elevation (Outdoor ~ Indoor Unit) is 0m.

1. Specifications

Z5UW36GFB1

Category		Unit	Specification
Major	Minor		
Classification	Chassis	-	U36A
Power Supply	Case 1	V, Phase, Hz	220, 1, 60
	Case 2	V, Phase, Hz	220-230-240, 1, 50
	Limit Range of Voltage(Case 1)	V	187 - 276
	Limit Range of Voltage(Case 2)	V	-
Testing Combination	-	Model x No.	AMNW09GSJR0 x 4EA
Cooling Capacity	Rated	kW	10.55
		Btu/h	36,000
	Min ~ Max	kW	1.76~11.14
		Btu/h	6,500~38,000
Heating Capacity	Rated	kW	10.70
		Btu/h	36,500
	Min ~ Max	kW	2.05~11.43
		Btu/h	7,000~39,000
Power Input(Cooling)	Rated	kW	3.04
	Min ~ Max	kW	0.39~3.59
Power Input(Heating)	Rated	kW	2.78
	Min ~ Max	kW	0.42~3.44
Efficiency	EER	W/W	3.47
	COP	W/W	3.85
Running Current(Cooling)	Rated	A	14.10
	Min/Max	A	1.80 / 16.70
Running Current(Heating)	Rated	A	12.90
	Min/Max	A	2.00 / 16.00
Running Current	Maximum Running Current	A	20.40
Power Factor(Cooling/Heating)	Rated	-	0.98 / 0.98
Outdoor Fan	Type	-	Propeller
	Air Flow Rate	m ³ /min	60
	Max. External Static Pressure	Pa	-
Outdoor Fan Motor	Type	-	BLDC
	Drive	-	External
	Output	W x No.	124.2 × 1
Compressor	Type	-	Twin Rotary
	Model x No.	-	DKT240MB × 1
	Motor Type	-	BLDC
	Motor Output	W x No.	1,500 (at 60Hz) × 1
	Oil Type	-	FW68D
	Oil Charging amount	cc x No.	670 × 1
Heat Exchanger	Rows x Columns x FPI	-	2 × 38 × 14
	No.	-	1
	Fin Type	-	Wide Louver Plus
	Material (Tube/Fin)	-	Cu / Al
	Face Area	m ²	-
Dimensions	Net(W x H x D)	mm	950 x 834 x 330
	Shipping(W x H x D)	mm	1,140 x 919 x 461
Weight	Net	kg	62.3
	Shipping	kg	68.9
Exterior	Color	-	Warm Gray
	RAL (Classic)	-	RAL 7044
Protection Device	High Pressure Prevention	-	O
	Frost Prevention	-	O

1. Specifications

Category		Unit	Specification
Major	Minor		
Protection Device	Discharge Temperature Control	-	O
	Inverter Protection	-	O
Refrigerant	Type	-	R32
	Precharged Amount	kg	2.200
	Additional Charging amount(Main)	g/m	-
	Additional Charging amount(Branch)	g/m	20
	GWP(Global Warming Potential)	-	675.0
	t-CO ₂ eq.	-	1.485
	Chargeless-Pipe Length(Main)	m	-
	Chargeless-Pipe Length(Branch)	m	40
	Control Type	-	Electronic Expansion Valve
Pipe Connecting Socket	Liquid	mm(inch) x No.	Ø 6.35 (1/4) × 5
	Gas	mm(inch) x No.	Ø 9.52 (3/8) × 5
	Connection Type(Liquid)	-	Flare
	Connection Type(Gas)	-	Flare
Piping Length	Total Piping(Max)	m	75
	Main Piping(Rated / Max / Min)	m	-
	Total Branch(Max)	m	-
	Each Branch(Rated / Max / Min)	m	7.5 / 25 / -
Maximum Height Difference	IDU - ODU(Max)	m	15
	IDU - IDU(Max)	m	7.5
	BD - IDU(Max)	m	-
	BD - BD(Max)	m	-
Sound Pressure Level (Outdoor Unit)	Cooling / Heating (@ 1.5m height)	dB(A)	50.0 / 53.0
Measurement Standard (Pressure Level)	-	-	ISO 3745
Sound Power Level (Outdoor Unit)	Cooling / Heating	dB(A)	-
Measurement Standard (Power Level)	-	-	-
Connecting Cable	Power Supply Cable(H07RN-F,included earth) (to ODU)	mm ² × cores	2.5 x 3C
Electrical Characteristic	Minimum Circuit Amperes (MCA)	A	20.4
	Maximum Fuse Amperes (MFA)	A	22
	Comp_Rated Load Amperes (Max)	A	16.0
	Outdoor Fan Motor_Full Load Amperes	A	0.60
Combination Limit	Number of Indoor Units	EA	5
	Number of BD Units	EA	-
Allowable Total Capacity of Connected Indoor Unit	Max	kBtu/h	57
Allowable Max. Capacity for individual Indoor unit	Max	kBtu/h	24

Note

- Due to our policy of innovation some specifications may be changed without notification.
- Wiring cable size must comply with the applicable local and national codes. And "Electric characteristics" should be considered for electrical work and design. Especially the power cable and circuit breaker should be selected in accordance with that.
- Power factor could vary less than ±1% according to the operating conditions.
- Sound level values are depend on the ambient conditions and values are normally higher in actual operation.
- This product contains Fluorinated greenhouse gases.
- Voltage supplied to the unit terminals should be within the minimum and maximum range.
- Maximum allowable voltage unbalance between phase is 2%.
- MSC means the Max. current during the starting of compressor.
- MSC and RLA are measured as the compressor only test condition.
- OFM and IFM are measured as the outdoor unit test condition.
- Select the wire size based on MCA.
- MFA is used to select the circuit breaker and ground fault circuit interrupter, and all installation site must require attachment of an earth leakage breaker. [circuit breaker type is ELCB(Earth Leakage Circuit Breaker)].
- Performances are based on the following conditions :
 - Cooling : Indoor Ambient Temp. 27°CDB / 19°CWB, Outdoor Ambient Temp. 35°CDB / 24°CWB
 - Heating : Indoor Ambient Temp. 20°CDB / 15°CWB, Outdoor Ambient Temp. 7°CDB / 6°CWB
 - Interconnected Pipe Length is standard length and difference of Elevation (Outdoor ~ Indoor Unit) is 0m.

1. Specifications

Z5UW48GFB1

Category		Unit	Specification
Major	Minor		
Classification	Chassis	-	U36A
Power Supply	Case 1	V, Phase, Hz	220, 1, 60
	Case 2	V, Phase, Hz	220-230-240, 1, 50
	Limit Range of Voltage(Case 1)	V	187 - 276
	Limit Range of Voltage(Case 2)	V	-
Testing Combination	-	Model x No.	AMNW12GSJR0 x 4EA
Cooling Capacity	Rated	kW	14.01
		Btu/h	47,800
	Min ~ Max	kW	2.05~14.65
		Btu/h	7,000~50,000
Heating Capacity	Rated	kW	14.30
		Btu/h	48,800
	Min ~ Max	kW	2.20~15.24
		Btu/h	7,500~52,000
Power Input(Cooling)	Rated	kW	4.67
	Min ~ Max	kW	0.44~5.64
Power Input(Heating)	Rated	kW	4.09
	Min ~ Max	kW	0.45~5.57
Efficiency	EER	W/W	3.00
	COP	W/W	3.50
Running Current(Cooling)	Rated	A	21.70
	Min/Max	A	2.00 / 26.20
Running Current(Heating)	Rated	A	19.00
	Min/Max	A	2.20 / 25.90
Running Current	Maximum Running Current	A	-
Power Factor(Cooling/Heating)	Rated	-	0.98 / 0.98
Outdoor Fan	Type	-	Propeller
	Air Flow Rate	m ³ /min	80
	Max. External Static Pressure	Pa	-
Outdoor Fan Motor	Type	-	BLDC
	Drive	-	External
	Output	W x No.	200 × 1
Compressor	Type	-	Scroll
	Model x No.	-	RJB036MAB × 1
	Motor Type	-	BLDC
	Motor Output	W x No.	3,200 (at 60Hz) × 1
	Oil Type	-	FW68D
	Oil Charging amount	cc x No.	1100 × 1
Heat Exchanger	Rows x Columns x FPI	-	3 × 38 × 14
	No.	-	1
	Fin Type	-	Wide Louver Plus
	Material (Tube/Fin)	-	Cu / Al
	Face Area	m ²	-
Dimensions	Net(W x H x D)	mm	950 x 834 x 330
	Shipping(W x H x D)	mm	1,140 x 919 x 461
Weight	Net	kg	72.3
	Shipping	kg	78.9
Exterior	Color	-	Warm Gray
	RAL (Classic)	-	RAL 7044
Protection Device	High Pressure Prevention	-	O
	Frost Prevention	-	O

1. Specifications

Category		Unit	Specification
Major	Minor		
Protection Device	Discharge Temperature Control	-	O
	Inverter Protection	-	O
Refrigerant	Type	-	R32
	Precharged Amount	kg	2.750
	Additional Charging amount(Main)	g/m	-
	Additional Charging amount(Branch)	g/m	20
	GWP(Global Warming Potential)	-	675.0
	t-CO ₂ eq.	-	1.856
	Chargeless-Pipe Length(Main)	m	-
	Chargeless-Pipe Length(Branch)	m	45
	Control Type	-	Electronic Expansion Valve
Pipe Connecting Socket	Liquid	mm(inch) x No.	Ø 6.35 (1/4) × 5
	Gas	mm(inch) x No.	Ø 9.52 (3/8) × 5
	Connection Type(Liquid)	-	Flare
	Connection Type(Gas)	-	Flare
Piping Length	Total Piping(Max)	m	85
	Main Piping(Rated / Max / Min)	m	-
	Total Branch(Max)	m	-
	Each Branch(Rated / Max / Min)	m	7.5 / 25 / -
Maximum Height Difference	IDU - ODU(Max)	m	15
	IDU - IDU(Max)	m	7.5
	BD - IDU(Max)	m	-
	BD - BD(Max)	m	-
Sound Pressure Level (Outdoor Unit)	Cooling / Heating (@ 1.5m height)	dB(A)	54.0 / 56.0
Measurement Standard (Pressure Level)	-	-	ISO 3745
Sound Power Level (Outdoor Unit)	Cooling / Heating	dB(A)	-
Measurement Standard (Power Level)	-	-	-
Connecting Cable	Power Supply Cable(H07RN-F,included earth) (to ODU)	mm ² × cores	4.0 x 3C
Electrical Characteristic	Minimum Circuit Amperes (MCA)	A	29.1
	Maximum Fuse Amperes (MFA)	A	32
	Comp_Rated Load Amperes (Max)	A	23.5
	Outdoor Fan Motor_Full Load Amperes	A	0.60
Combination Limit	Number of Indoor Units	EA	5
	Number of BD Units	EA	-
Allowable Total Capacity of Connected Indoor Unit	Max	kBtu/h	72
Allowable Max. Capacity for individual Indoor unit	Max	kBtu/h	24

Note

- Due to our policy of innovation some specifications may be changed without notification.
- Wiring cable size must comply with the applicable local and national codes. And "Electric characteristics" should be considered for electrical work and design. Especially the power cable and circuit breaker should be selected in accordance with that.
- Power factor could vary less than ±1% according to the operating conditions.
- Sound level values are depend on the ambient conditions and values are normally higher in actual operation.
- This product contains Fluorinated greenhouse gases.
- Voltage supplied to the unit terminals should be within the minimum and maximum range.
- Maximum allowable voltage unbalance between phase is 2%.
- MSC means the Max. current during the starting of compressor.
- MSC and RLA are measured as the compressor only test condition.
- OFM and IFM are measured as the outdoor unit test condition.
- Select the wire size based on MCA.
- MFA is used to select the circuit breaker and ground fault circuit interrupter, and all installation site must require attachment of an earth leakage breaker. [circuit breaker type is ELCB(Earth Leakage Circuit Breaker)].
- Performances are based on the following conditions :
 - Cooling : Indoor Ambient Temp. 27°CDB / 19°CWB, Outdoor Ambient Temp. 35°CDB / 24°CWB
 - Heating : Indoor Ambient Temp. 20°CDB / 15°CWB, Outdoor Ambient Temp. 7°CDB / 6°CWB
 - Interconnected Pipe Length is standard length and difference of Elevation (Outdoor ~ Indoor Unit) is 0m.

2. List of Functions

Z2UW18GFB1, Z3UW21GFB1, Z3UW24GFB1, Z4UW30GFB1, Z5UW36GFB1, Z5UW48GFB1

Category	Functions	Availability
Reliability	Defrost / Deicing	O
	High Pressure Switch	X
	Phase Protection	X
	Restart Delay (3-minutes)	O
	Self Diagnosis	O
	Soft Start	O
Convenience	Low Noise Operation	O
	Wiring Error Check	O
	Peak Control	O
	Mode Lock	O
	Forced Cooling Operation (Outdoor Unit)	O
	SLC (Smart Load Control)	X
Installation	Test Function	X
Special Functions	ODU Dry Contact Function	X

Note

■ O : Applied, X : Not applied

- Accessory : Ordered and purchased separately the accessory package referring to the model name provided and install at field.
- Accessory line-ups varies by region, so check your local catalogue or local sales material.

3. Accessory Compatibility List

Z2UW18GFB1, Z3UW21GFB1

Category	Accessory Name	Model Name	Description	Compatibility
Central Controller	AC EZ	PQCSZ250S0	-	X
		CQCSZ250S0	-	X
	AC EZ touch	PACEZA000	Touch type	X
		CACEZA000	Touch type	X
	AC Smart IV	PACS4B000	Touch type	X
		CACS4B000	Touch type	X
	AC Smart 5	PACS5A000	Touch type	X
		CACS5A000	Touch type	X
	ACP IV	PACP4B000	-	X
		CACP4B000	-	X
	ACP 5	PACP5A000	-	X
		CACP5A000	-	X
	AC Manager IV	PACM4B000	For Integrated Control	X
		CACM4B000	For Integrated Control	X
AC Manager 5	PACM5A000	For Integrated Control	X	
Gateway	ODU PI485	PMNFP14A1	For 16-room	X
	ACP BACnet	PQNFB17C0	-	X
		CQNFB17C0	-	X
	ACP Lonwork	PLNWKB000	-	X
Cloud Gateway	PWFMDB200	ThinQ, BECON cloud	X	
Integration Device	PDI Standard	PPWRDB000	Power distributor 2port	-
	PDI Premium	PQNUD1S40	Power distributor 8port	-

Note

- O: Possible, X: Impossible, -: Unconfirmed or irrelevant
- AC Manager requires ACP or AC Smart.
- Compatibility of individual controller(wireless/wired remote controller) could be found with function list on Indoor Unit's PDB.
- If you need more detail, please refer to the Control(BECON) PDB or the manual of product.
(<http://partner.lge.com> > Select Your Region : Home> Doc.Library> Product > Control(BECON)).
- Accessory line-ups varies by region, so check your local catalogue or local sales material.

3. Accessory Compatibility List

Z3UW24GFB1, Z4UW30GFB1, Z5UW36GFB1, Z5UW48GFB1

Category	Accessory Name	Model Name	Description	Compatibility
Central Controller	AC EZ	PQCSZ250S0	-	O
		CQCSZ250S0	-	O
	AC EZ touch	PACEZA000	Touch type	O
		CACEZA000	Touch type	O
	AC Smart IV	PACS4B000	Touch type	O
		CACS4B000	Touch type	O
	AC Smart 5	PACS5A000	Touch type	O
		CACS5A000	Touch type	O
	ACP IV	PACP4B000	-	O
		CACP4B000	-	O
	ACP 5	PACP5A000	-	O
		CACP5A000	-	O
	AC Manager IV	PACM4B000	For Integrated Control	O
		CACM4B000	For Integrated Control	O
AC Manager 5	PACM5A000	For Integrated Control	O	
Gateway	ODU PI485	PMNFP14A1	For 16-room	O
	ACP BACnet	PQNFB17C0	-	O
		CQNFB17C0	-	O
	ACP Lonwork	PLNWKB000	-	O
Cloud Gateway	PWFMDB200	ThinQ, BECON cloud	O	
Integration Device	PDI Standard	PPWRDB000	Power distributor 2port	O
	PDI Premium	PQNUD1S40	Power distributor 8port	O

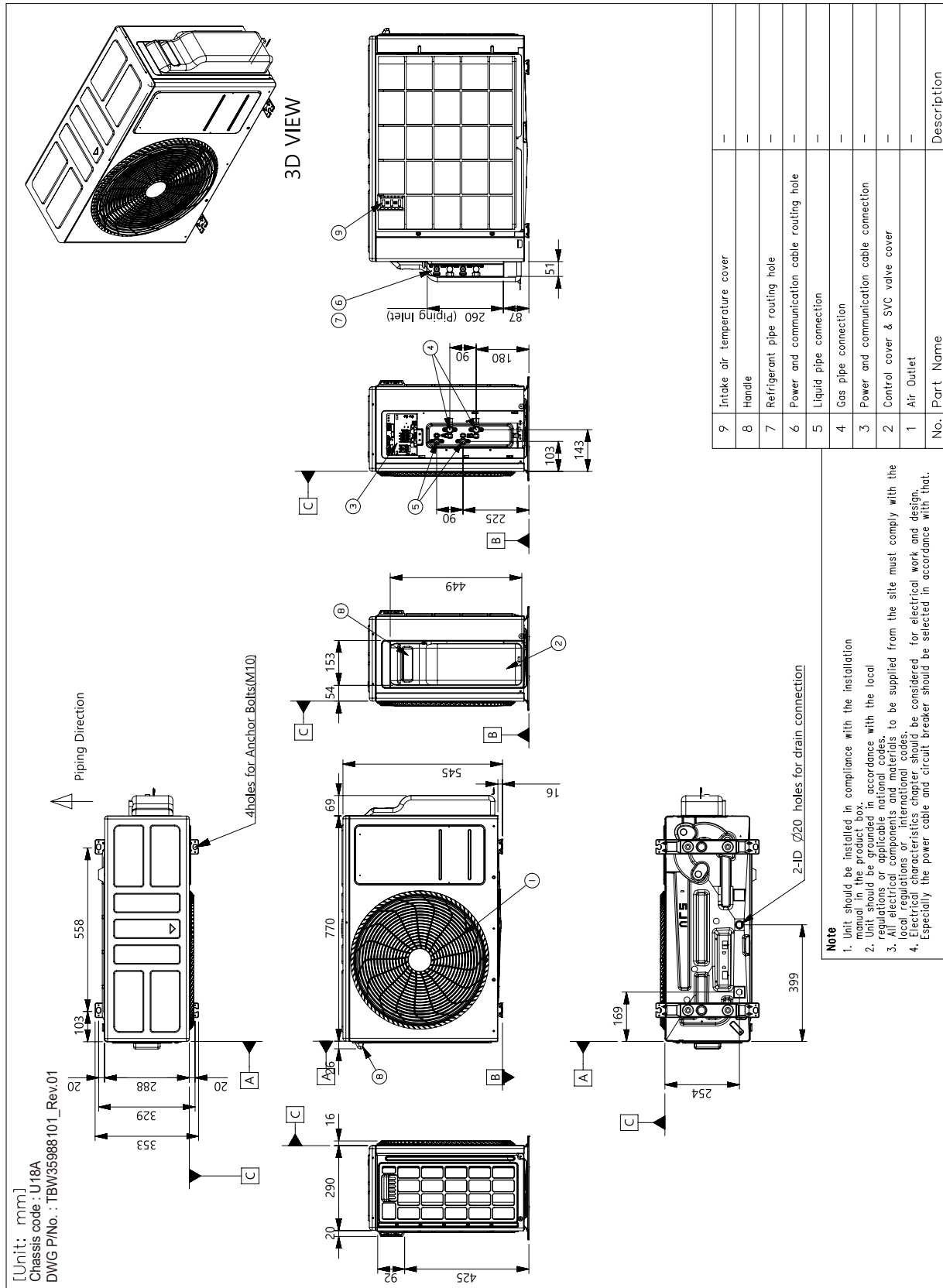
Note

- O: Possible, X: Impossible, -: Unconfirmed or irrelevant
- AC Manager requires ACP or AC Smart.
- Compatibility of individual controller(wireless/wired remote controller) could be found with function list on Indoor Unit's PDB.
- If you need more detail, please refer to the Control(BECON) PDB or the manual of product.
(<http://partner.lge.com> > Select Your Region : Home> Doc.Library> Product > Control(BECON)).
- Accessory line-ups varies by region, so check your local catalogue or local sales material.

4. Dimensions

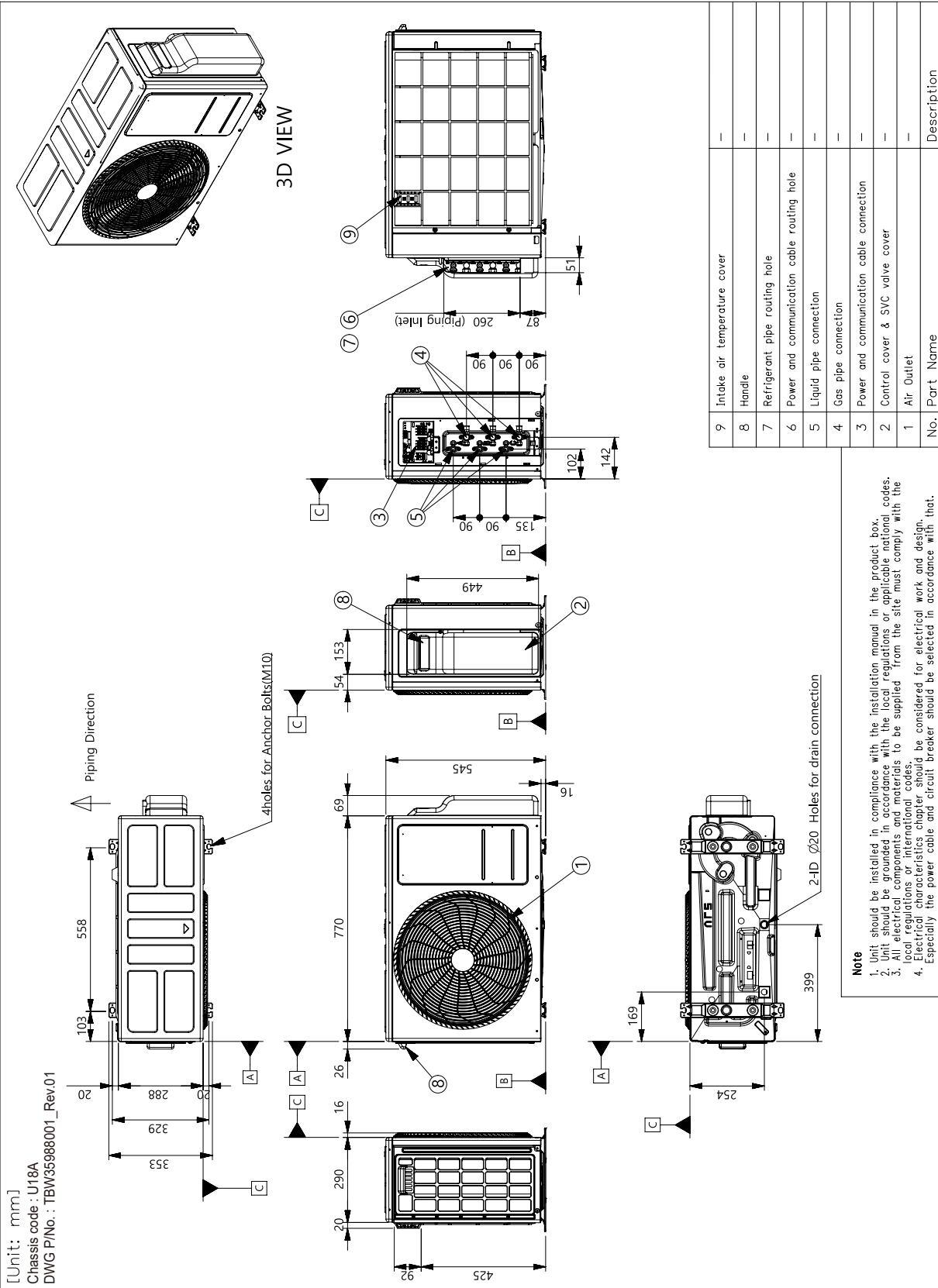
4.1 Dimensional Drawing

Z2UW18GFB1



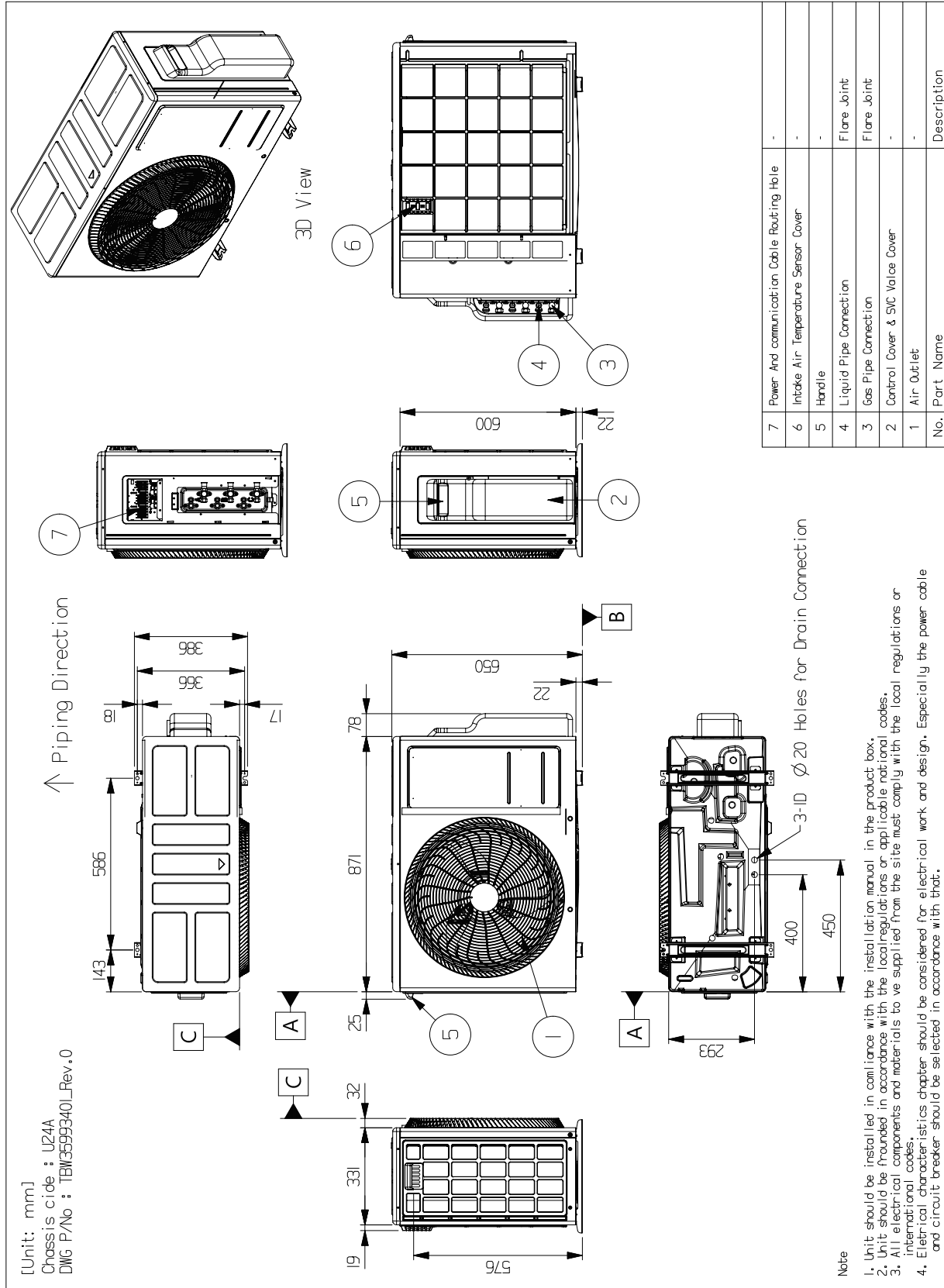
4. Dimensions

Z3UW21GFB1



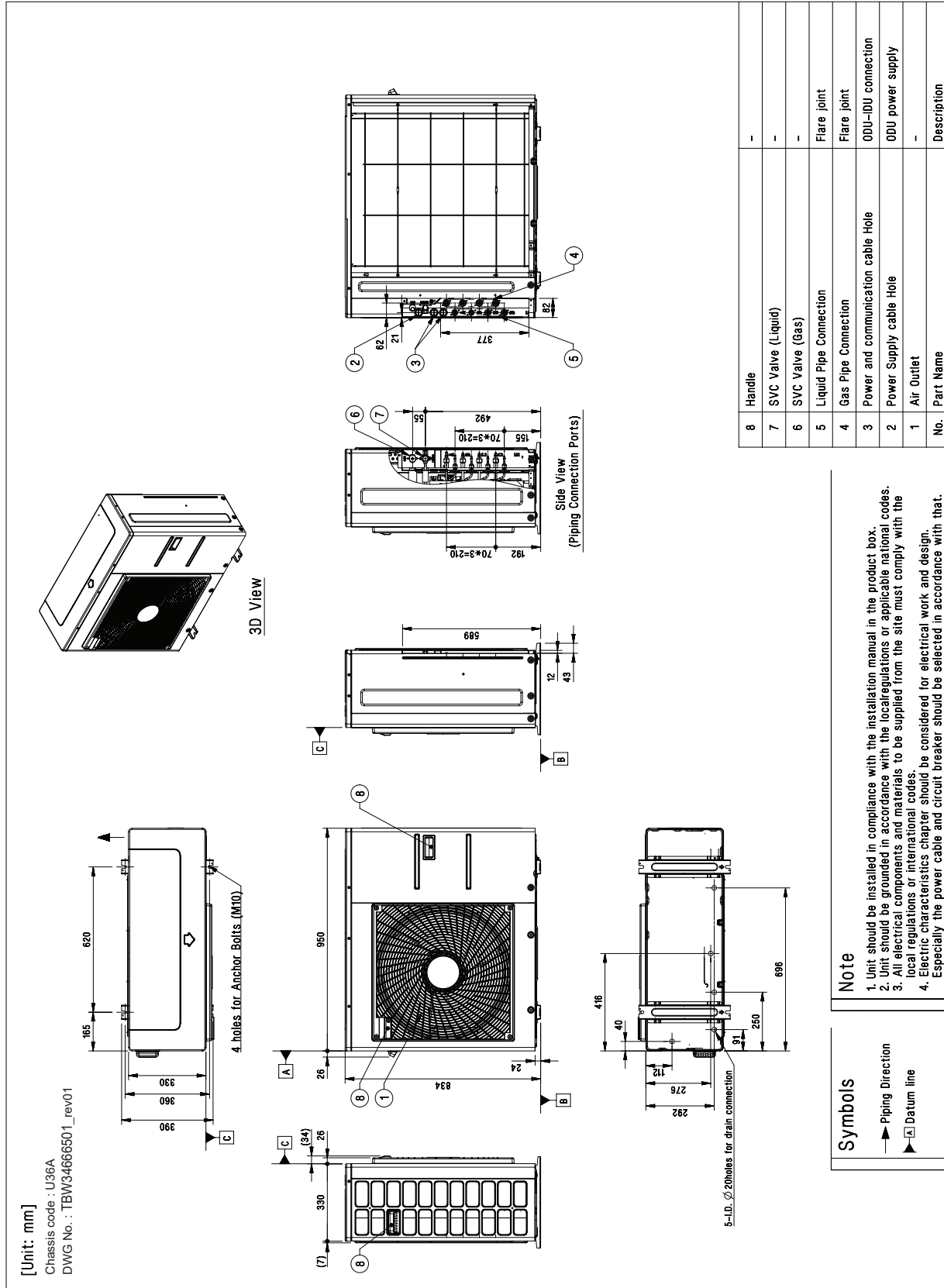
4. Dimensions

Z3UW24GFB1



4. Dimensions

Z4UW30GFB1



4. Dimensions

Z5UW36GFB1, Z5UW48GFB1

[Unit: mm]

Chassis code : U36A
 DWG P/No. : TBW34826501_Rev.01

3D View

No.	Part Name	Description
8	SVC Valve (Liquid)	Flare joint
7	SVC Valve (Gas)	Flare joint
6	Handle	-
5	Liquid pipe Connection	Flare joint
4	Gas pipe Connection	Flare joint
3	Power and Communication Cable hole	ODU-IDU connection
2	Power Supply cable Hole	ODU power supply
1	Air Outlet	-
No.	Part Name	Description

Note

- Unit should be installed in compliance with the installation manual in the product box.
- Unit should be grounded in accordance with the local regulations or applicable national codes.
- All electrical components and materials to be supplied from the site must comply with the local regulations or international codes.
- Electric characteristics chapter should be considered for electrical work and design. Especially the power cable and circuit breaker should be selected in accordance with that.

Symbols

- Piping Direction
- Datum line

4. Dimensions

4.2 Installation Space

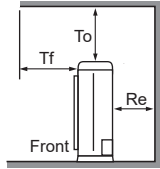
Z2UW18GFB1, Z3UW21GFB1, Z3UW24GFB1, Z4UW30GFB1, Z5UW36GFB1, Z5UW48GFB1

For Side Discharge (capacity < 28.0 kW)

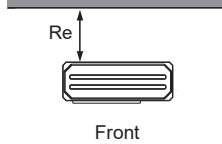
Obstacle on the Suction side

※ Case 1 : No obstacle on top side
Case 2 : Obstacle on top side

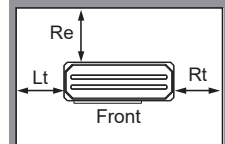
[Unit : mm(inch)]



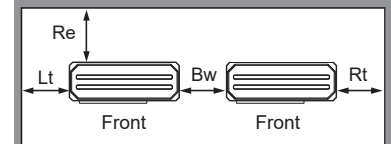
To ≥ 1,000(39-3/8)
Tf ≤ 500(19-11/16)



Case 1
Re ≥ 100(3-15/16)
Case 2
Re ≥ 300(11-13/16)



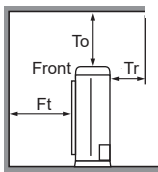
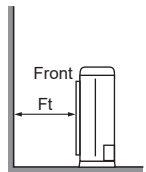
Case 1
Re ≥ 100(3-15/16)
Lt ≥ 100(3-15/16)
Rt ≥ 100(3-15/16)
Case 2
Re ≥ 300(11-13/16)
Lt ≥ 150(5-29/32)
Rt ≥ 150(5-29/32)



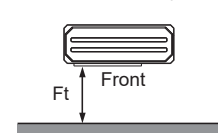
Case 1
Re ≥ 300(11-13/16)
Lt ≥ 1,000(39-3/8)
Rt ≥ 200(7-7/8)
Bw ≥ 100(3-15/16)
Case 2
Re ≥ 300(11-13/16)
Lt ≥ 1,000(39-3/8)
Rt ≥ 200(7-7/8)
Bw ≥ 100(3-15/16)

Obstacle on the Discharge side

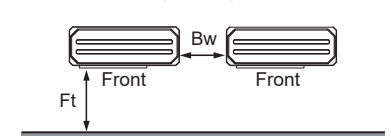
※ For Rear Piping / External SVC Valve type / Side-CBOX type
: Re, Lt ≥ 300(11-13/16) and Rt, Bw, Rb ≥ 600(23-5/8) for ALL CASE.



To ≥ 1,000(39-3/8)
Tr ≤ 500(19-11/16)



Case 1
Ft ≥ 500(19-11/16)
Case 2
Ft ≥ 500(19-11/16)

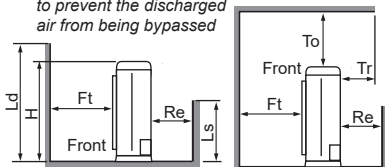


Case 1
Ft ≥ 1,000(39-3/8)
Bw ≥ 100(3-15/16)
Case 2
Ft ≥ 1,000(39-3/8)
Bw ≥ 100(3-15/16)

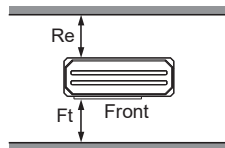
Obstacle on the Suction and Discharge side

Ld > H (Ls should be lower H.)

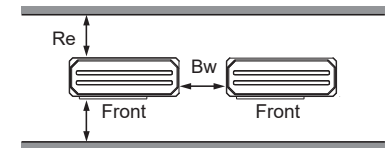
※ Close the bottom of the installation frame to prevent the discharged air from being bypassed



To ≥ 1,000(39-3/8)
Tf ≤ 500(19-11/16)

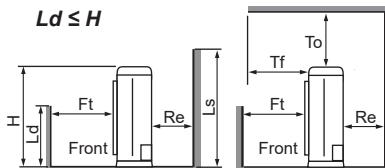


Case 1
Ft ≥ 500(19-11/16)
Re ≥ 300(11-13/16)
Case 2
Ft ≥ 1,000(39-3/8) *
Re ≥ 300(11-13/16)
* If Ls ≤ H/2,
Ft ≥ 750(29-17/32)



Case 1
Ft ≥ 1,000(39-3/8)
Re ≥ 300(11-13/16)
Bw ≥ 100(3-15/16)
Case 2
Ft ≥ 1,250(49-7/32)
Re ≥ 300(11-13/16)
Bw ≥ 100(3-15/16)

Ld ≤ H



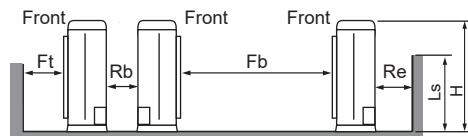
To ≥ 1,000(39-3/8)
Tf ≤ 500(19-11/16)

Case 1
Ft ≥ 500(19-11/16)
Re ≥ 300(11-13/16)
Case 2
Ft ≥ 1,000(39-3/8)
Re ≥ 300(11-13/16)

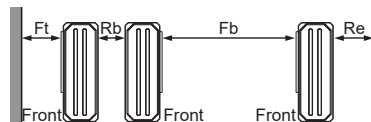
Case 1
Ft ≥ 1,500(59-1/16)
Re ≥ 300(11-13/16)
Bw ≥ 100(3-15/16)
Case 2
Ft ≥ 1,500(59-1/16)
Re ≥ 300(11-13/16)
Bw ≥ 100(3-15/16)

※ In case of series installation (2 Units or more) for 2 Fan models, Ld should be lower than H/2.

Collective/Continuous Installation (Multiple Columns)

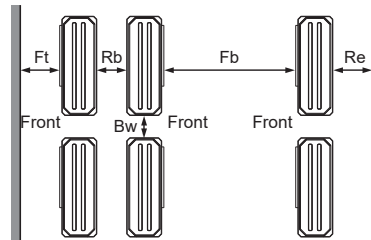


※ In case of Multiple columns/continuous installation, Ls should be lower than H.



1 Column

Ft ≥ 1,000(39-3/8)
Rb ≥ 200(7-7/8)
Fb ≥ 2,000(78-3/4)
Re ≥ 100(3-15/16)



Multiple Columns

Ft ≥ 1,500(59-1/16)
Rb ≥ 600(23-5/8)
Fb ≥ 3,000(118-1/8)
Re ≥ 300(11-13/16)
Bw ≥ 100(3-15/16)

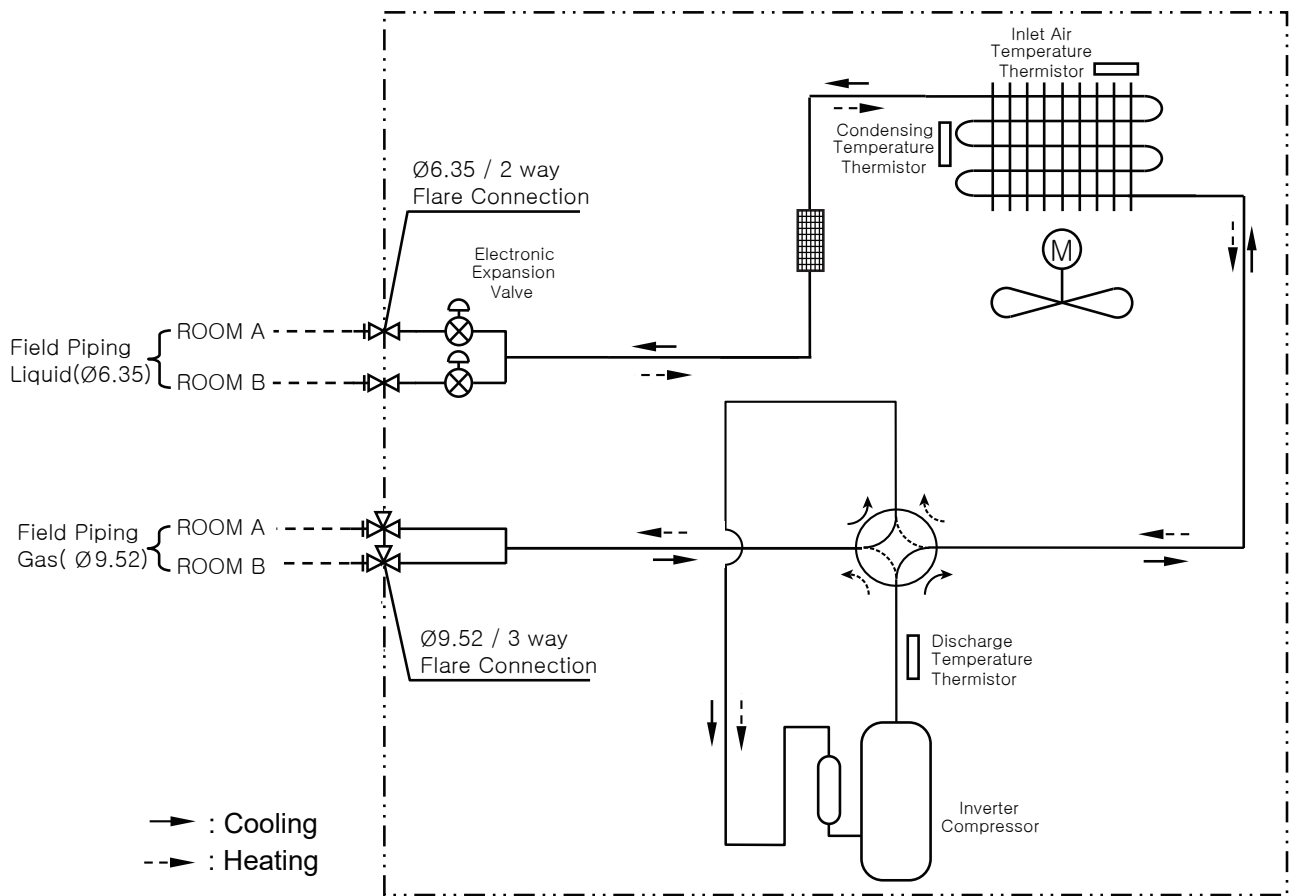
Note

- If there is a concern about product performance degradation due to group installation or interference with obstacles, secure an additional separation distance.
- Secure enough space for smooth service and maintenance.
- According to product type, model line up, sales region..etc, applicability of each chassis could be different.

5. Piping Diagrams

5.1 Normal

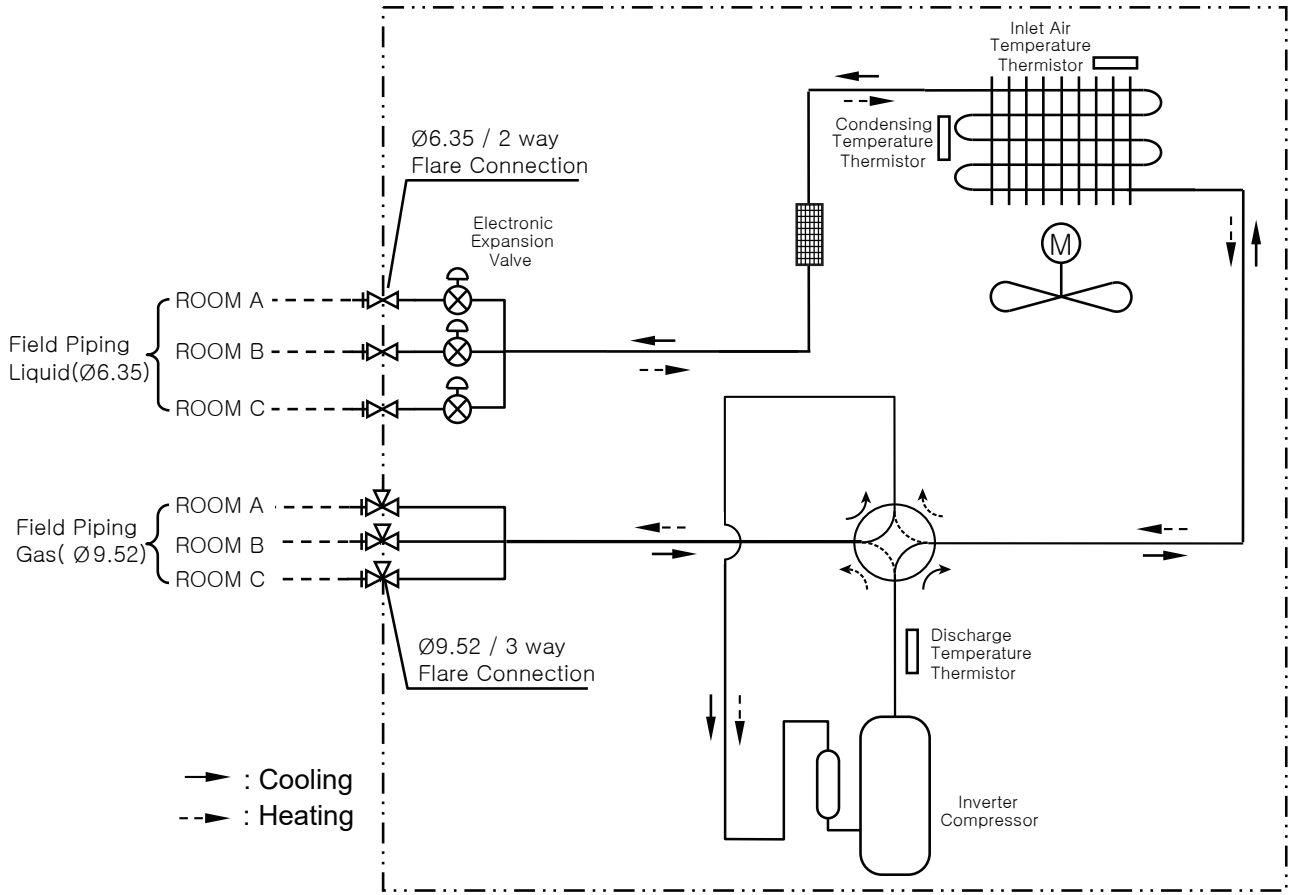
Z2UW18GFB1



Description	PCB Connector
Inlet air Temperature Thermistor	CN_AIR
Discharge Temperature Thermistor	CN_DISCHARGE
Condensing Temperature Thermistor	CN_MID
Condenser Out Temperature Thermistor	CN_C_PIPE

5. Piping Diagrams

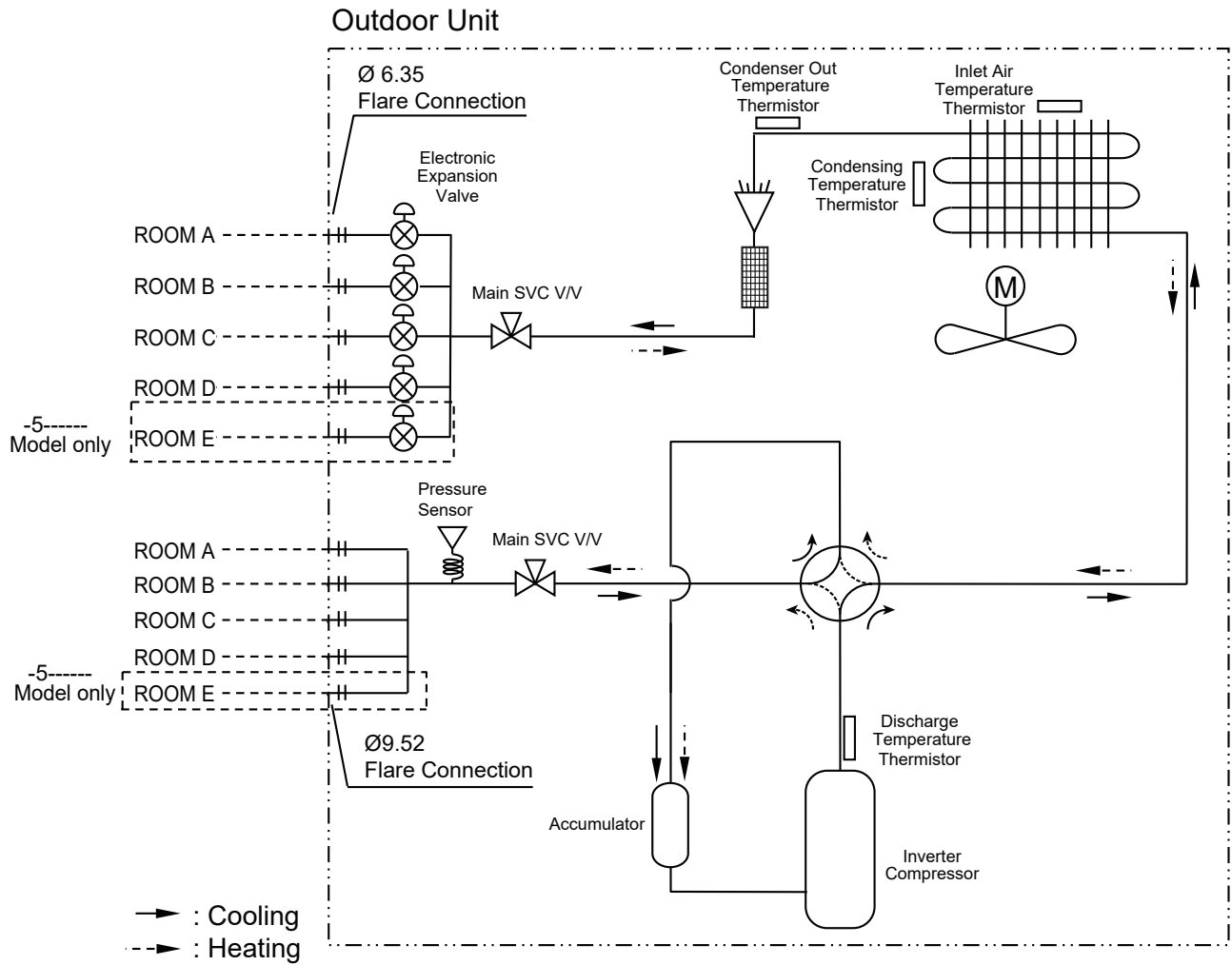
Z3UW21GFB1, Z3UW24GFB1



Description	PCB Connector
Inlet air Temperature Thermistor	CN_AIR
Discharge Temperature Thermistor	CN_DISCHARGE
Condensing Temperature Thermistor	CN_MID
Condenser Out Temperature Thermistor	CN_C_PIPE

5. Piping Diagrams

Z4UW30GFB1, Z5UW36GFB1, Z5UW48GFB1

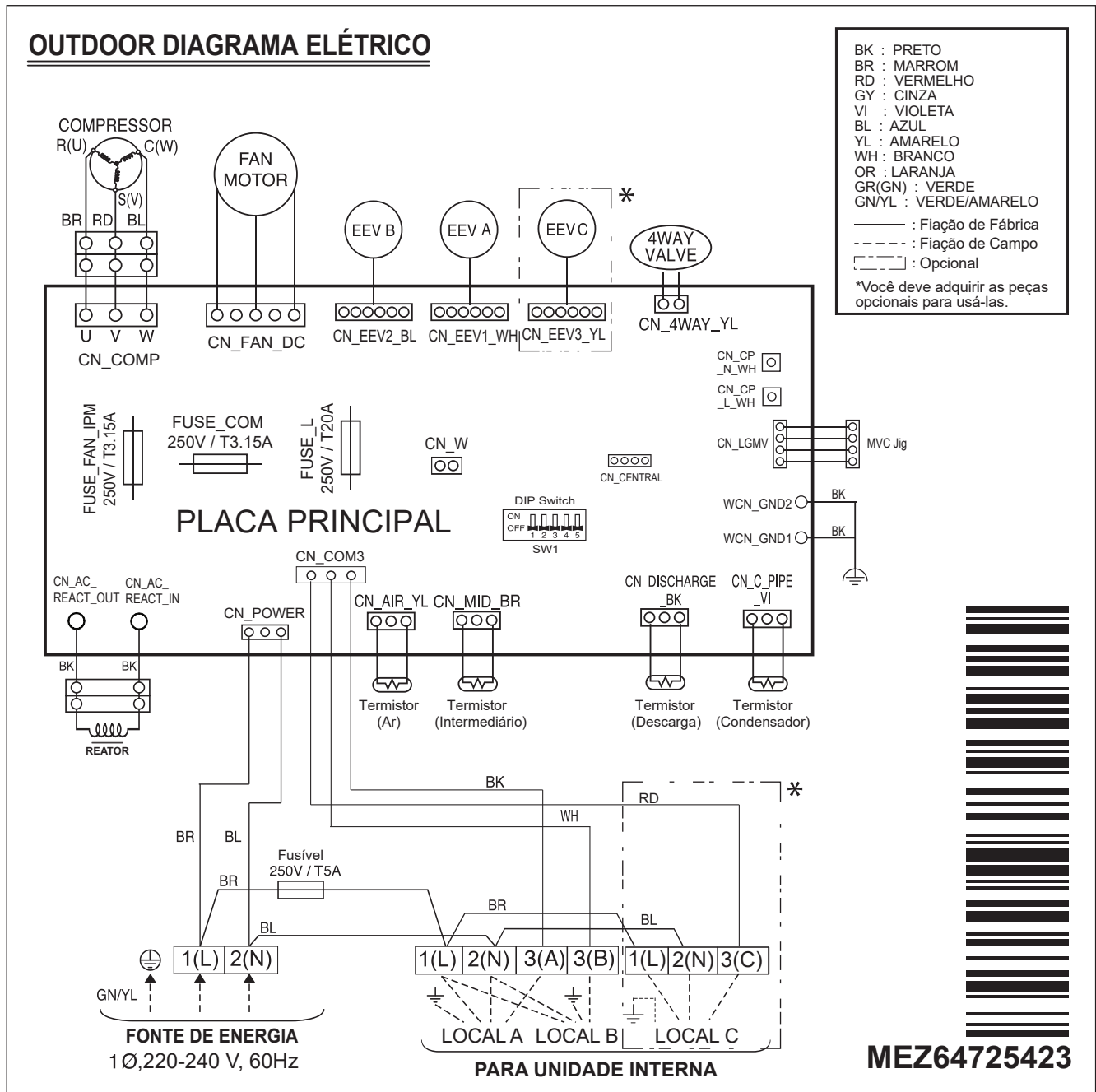


Description	PCB Connector
Inlet air Temperature Thermistor	CN_AIR
Discharge Temperature Thermistor	CN_DISCHARGE
Condensing Temperature Thermistor	CN_MID
Condenser Out Temperature Thermistor	CN_C_PIPE
Pressure Sensor	CN_H_PRESS

6. Wiring Diagrams

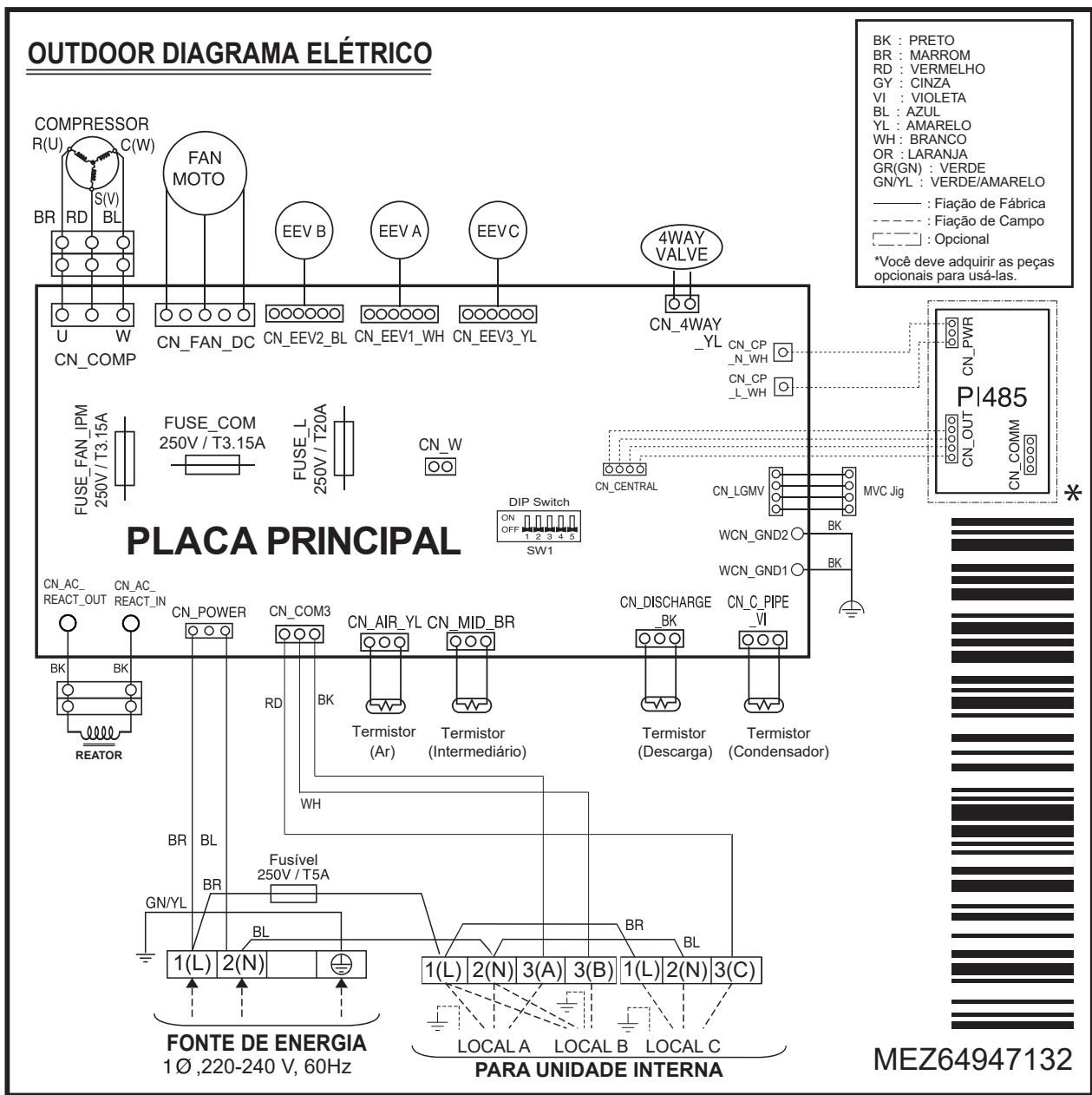
6.1 Product

Z2UW18GFB1, Z3UW21GFB1



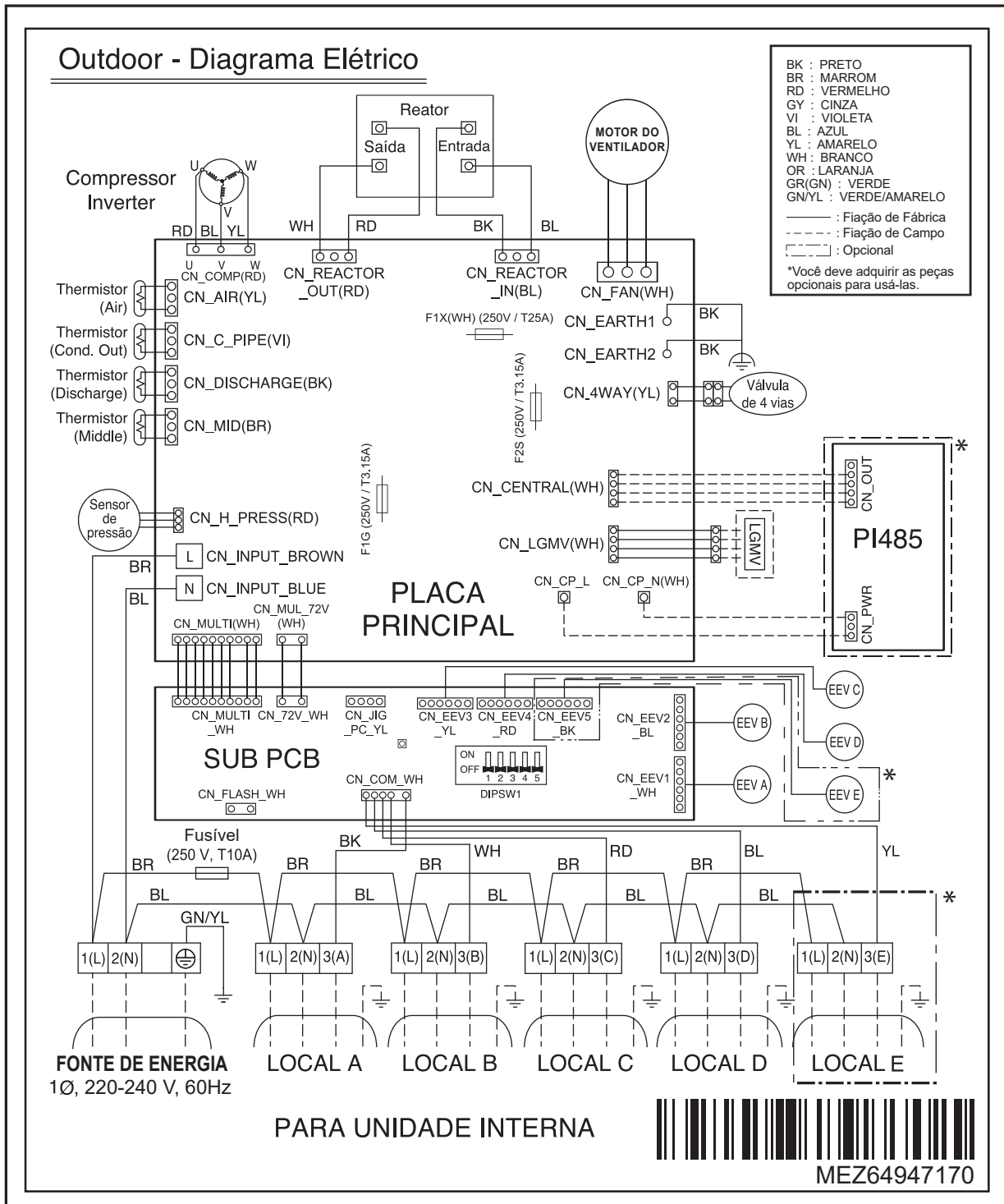
6. Wiring Diagrams

Z3UW24GFB1



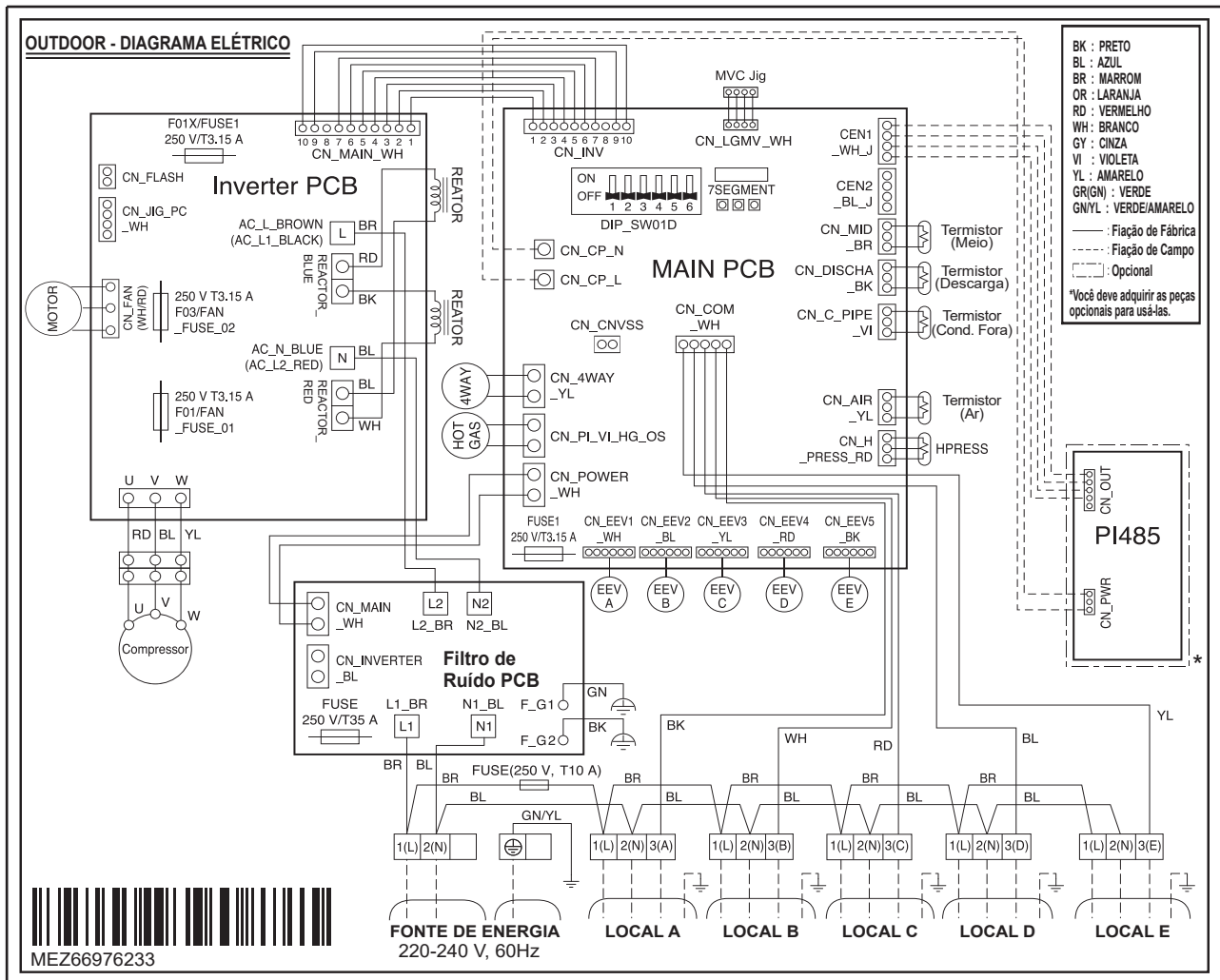
6. Wiring Diagrams

Z4UW30GFB1, Z5UW36GFB1



6. Wiring Diagrams

Z5UW48GFB1



7. Capacity Tables

7.1 Cooling Operation

Z2UW18GFB1

Combi.	Outdoor Air Temp. (°C, DB)	Indoor Air Temp. (°C, DB/WB)													
		20.0 / 14.0		23.0 / 16.0		26.0 / 18.0		27.0 / 19.0		28.0 / 20.0		30.0 / 22.0		32.0 / 24.0	
		TC	PI	TC	PI	TC	PI	TC	PI	TC	PI	TC	PI	TC	PI
7 + 7	20	2.41	0.41	3.13	0.51	3.68	0.59	4.10	0.65	4.24	0.66	4.52	0.67	4.84	0.67
	25	2.41	0.48	3.13	0.60	3.68	0.70	4.10	0.77	4.24	0.78	4.52	0.79	4.84	0.79
	32	2.41	0.58	3.13	0.73	3.68	0.85	4.10	0.93	4.24	0.94	4.52	0.96	4.84	0.96
	35	2.41	0.63	3.13	0.79	3.68	0.91	4.10	1.00	4.24	1.01	4.52	1.03	4.84	1.04
	40	2.41	0.64	3.13	0.80	3.68	0.92	3.90	1.01	4.03	1.02	4.29	1.04	4.60	1.05
	43	2.41	0.64	3.13	0.80	3.68	0.93	3.69	1.02	3.82	1.03	4.07	1.05	4.35	1.06
	46	2.41	0.64	3.13	0.81	3.41	0.94	3.48	1.03	3.60	1.04	3.84	1.06	4.11	1.07
	48	2.41	0.65	3.13	0.82	3.22	0.95	3.28	1.02	3.37	1.03	3.56	1.05	3.78	1.06
7 + 9	20	2.75	0.50	3.58	0.63	4.21	0.73	4.69	0.80	4.85	0.81	5.17	0.83	5.53	0.83
	25	2.75	0.59	3.58	0.75	4.21	0.86	4.69	0.95	4.85	0.96	5.17	0.98	5.53	0.98
	32	2.75	0.72	3.58	0.91	4.21	1.05	4.69	1.15	4.85	1.16	5.17	1.19	5.53	1.19
	35	2.75	0.78	3.58	0.97	4.21	1.13	4.69	1.24	4.85	1.25	5.17	1.27	5.53	1.28
	40	2.75	0.79	3.58	0.99	4.21	1.14	4.45	1.25	4.60	1.26	4.91	1.29	5.25	1.30
	43	2.75	0.79	3.58	0.99	4.21	1.15	4.22	1.26	4.36	1.27	4.65	1.30	4.97	1.31
	46	2.75	0.80	3.58	1.00	3.90	1.16	3.98	1.27	4.12	1.28	4.39	1.31	4.69	1.32
	48	2.75	0.80	3.58	1.01	3.68	1.17	3.75	1.26	3.86	1.27	4.07	1.30	4.32	1.31
9 + 9	20	3.10	0.61	4.03	0.77	4.74	0.89	5.28	0.98	5.46	0.99	5.81	1.01	6.22	1.01
	25	3.10	0.72	4.03	0.91	4.74	1.05	5.28	1.16	5.46	1.17	5.81	1.19	6.22	1.20
	32	3.10	0.88	4.03	1.10	4.74	1.28	5.28	1.40	5.46	1.41	5.81	1.44	6.22	1.45
	35	3.10	0.95	4.03	1.19	4.74	1.37	5.28	1.51	5.46	1.52	5.81	1.55	6.22	1.56
	40	3.10	0.96	4.03	1.20	4.74	1.39	5.01	1.53	5.18	1.54	5.52	1.57	5.91	1.58
	43	3.10	0.96	4.03	1.21	4.74	1.40	4.74	1.54	4.90	1.56	5.23	1.59	5.60	1.59
	46	3.10	0.97	4.03	1.22	4.39	1.41	4.48	1.55	4.63	1.57	4.93	1.60	5.28	1.61
	48	3.10	0.98	4.03	1.23	4.14	1.42	4.22	1.54	4.34	1.55	4.58	1.58	4.86	1.59
7 + 12	20	3.10	0.61	4.03	0.77	4.74	0.89	5.28	0.98	5.46	0.99	5.81	1.00	6.22	1.01
	25	3.10	0.72	4.03	0.91	4.74	1.05	5.28	1.15	5.46	1.16	5.81	1.19	6.22	1.19
	32	3.10	0.88	4.03	1.10	4.74	1.27	5.28	1.40	5.46	1.41	5.81	1.44	6.22	1.45
	35	3.10	0.94	4.03	1.18	4.74	1.37	5.28	1.50	5.46	1.52	5.81	1.55	6.22	1.56
	40	3.10	0.95	4.03	1.20	4.74	1.39	5.01	1.52	5.18	1.54	5.52	1.57	5.91	1.58
	43	3.10	0.96	4.03	1.21	4.74	1.40	4.74	1.53	4.90	1.55	5.23	1.58	5.60	1.59
	46	3.10	0.97	4.03	1.22	4.39	1.41	4.48	1.54	4.63	1.56	4.93	1.59	5.28	1.60
	48	3.10	0.98	4.03	1.22	4.14	1.42	4.22	1.53	4.34	1.55	4.58	1.58	4.86	1.59
9 + 12	20	3.10	0.61	4.03	0.76	4.74	0.88	5.28	0.97	5.46	0.98	5.81	1.00	6.22	1.00
	25	3.10	0.72	4.03	0.90	4.74	1.04	5.28	1.14	5.46	1.15	5.81	1.18	6.22	1.18
	32	3.10	0.87	4.03	1.09	4.74	1.26	5.28	1.39	5.46	1.40	5.81	1.43	6.22	1.44
	35	3.10	0.93	4.03	1.17	4.74	1.36	5.28	1.49	5.46	1.51	5.81	1.54	6.22	1.54
	40	3.10	0.95	4.03	1.19	4.74	1.38	5.01	1.51	5.18	1.53	5.52	1.56	5.91	1.56
	43	3.10	0.95	4.03	1.20	4.74	1.39	4.74	1.52	4.90	1.54	5.23	1.57	5.60	1.58
	46	3.10	0.96	4.03	1.21	4.39	1.40	4.48	1.53	4.63	1.55	4.93	1.58	5.28	1.59
	48	3.10	0.97	4.03	1.22	4.14	1.41	4.22	1.52	4.34	1.54	4.58	1.57	4.86	1.58
12 + 12	20	3.10	0.60	4.03	0.75	4.74	0.87	5.28	0.95	5.46	0.96	5.81	0.98	6.22	0.99
	25	3.10	0.71	4.03	0.89	4.74	1.03	5.28	1.13	5.46	1.14	5.81	1.16	6.22	1.17
	32	3.10	0.86	4.03	1.07	4.74	1.25	5.28	1.37	5.46	1.38	5.81	1.41	6.22	1.42
	35	3.10	0.92	4.03	1.16	4.74	1.34	5.28	1.47	5.46	1.48	5.81	1.51	6.22	1.52
	40	3.10	0.93	4.03	1.17	4.74	1.36	5.01	1.49	5.18	1.50	5.52	1.53	5.91	1.54
	43	3.10	0.94	4.03	1.18	4.74	1.37	4.74	1.50	4.90	1.51	5.23	1.54	5.60	1.55
	46	3.10	0.95	4.03	1.19	4.39	1.38	4.48	1.51	4.63	1.53	4.93	1.56	5.28	1.56
	48	3.10	0.95	4.03	1.20	4.14	1.39	4.22	1.50	4.34	1.51	4.58	1.54	4.86	1.55

7. Capacity Tables

Combi.	Outdoor Air Temp. (°C, DB)	Indoor Air Temp. (°C, DB/WB)													
		20.0 / 14.0		23.0 / 16.0		26.0 / 18.0		27.0 / 19.0		28.0 / 20.0		30.0 / 22.0		32.0 / 24.0	
		TC	PI	TC	PI	TC	PI	TC	PI	TC	PI	TC	PI	TC	PI
7 + 18	20	3.10	0.58	4.03	0.73	4.74	0.84	5.28	0.93	5.46	0.94	5.81	0.95	6.22	0.96
	25	3.10	0.68	4.03	0.86	4.74	1.00	5.28	1.09	5.46	1.10	5.81	1.12	6.22	1.13
	32	3.10	0.83	4.03	1.04	4.74	1.21	5.28	1.32	5.46	1.33	5.81	1.36	6.22	1.37
	35	3.10	0.89	4.03	1.12	4.74	1.30	5.28	1.42	5.46	1.44	5.81	1.47	6.22	1.48
	40	3.10	0.90	4.03	1.14	4.74	1.32	5.01	1.44	5.18	1.46	5.52	1.49	5.91	1.49
	43	3.10	0.91	4.03	1.14	4.74	1.33	4.74	1.45	4.90	1.47	5.23	1.50	5.60	1.51
	46	3.10	0.92	4.03	1.15	4.39	1.34	4.48	1.46	4.63	1.48	4.93	1.51	5.28	1.52
	48	3.10	0.93	4.03	1.16	4.14	1.35	4.22	1.45	4.34	1.47	4.58	1.50	4.86	1.51
9 + 18	20	3.10	0.58	4.03	0.73	4.74	0.84	5.28	0.93	5.46	0.94	5.81	0.95	6.22	0.96
	25	3.10	0.68	4.03	0.86	4.74	1.00	5.28	1.09	5.46	1.10	5.81	1.12	6.22	1.13
	32	3.10	0.83	4.03	1.04	4.74	1.21	5.28	1.32	5.46	1.33	5.81	1.36	6.22	1.37
	35	3.10	0.89	4.03	1.12	4.74	1.30	5.28	1.42	5.46	1.44	5.81	1.47	6.22	1.48
	40	3.10	0.90	4.03	1.14	4.74	1.32	5.01	1.44	5.18	1.46	5.52	1.49	5.91	1.49
	43	3.10	0.91	4.03	1.14	4.74	1.33	4.74	1.45	4.90	1.47	5.23	1.50	5.60	1.51
	46	3.10	0.92	4.03	1.15	4.39	1.34	4.48	1.46	4.63	1.48	4.93	1.51	5.28	1.52
	48	3.10	0.93	4.03	1.16	4.14	1.35	4.22	1.45	4.34	1.47	4.58	1.50	4.86	1.51

Note

- DB : Dry bulb temperature(°C), WB : Wet bulb temperature(°C)
- TC : Total capacity(kW)
- PI : Power Input (kW, Compressor + indoor fan motor + outdoor fan motor)
- All capacities are net. A deduction (cooling mode) or an addition (heating mode) of Capacity due to operating heat of indoor unit motor is reflected.
- Capacities are based on the following conditions :
 - Interconnecting Piping Length (Both Main pipe and Branch pipe) is standard length.
 - Difference of Elevation (Outdoor ~ Indoor Unit) is 0 m.
- Direct interpolation is permissible. Do not extrapolate.
- Rated capacities and power inputs are based on standard temperature and piping conditions, and it can be found on specifications table. Except for rated value, the performance is not guaranteed.
- In accordance with the test standard(or nations) and indoor unit's combinations, the rating will vary slightly.

7. Capacity Tables

Z3UW21GFB1

Combi.	Outdoor Air Temp. (°C, DB)	Indoor Air Temp. (°C, DB/WB)													
		20.0 / 14.0		23.0 / 16.0		26.0 / 18.0		27.0 / 19.0		28.0 / 20.0		30.0 / 22.0		32.0 / 24.0	
		TC	PI	TC	PI	TC	PI	TC	PI	TC	PI	TC	PI	TC	PI
7 + 7	20	2.41	0.41	3.13	0.51	3.68	0.59	4.10	0.65	4.24	0.66	4.52	0.67	4.84	0.67
	25	2.41	0.48	3.13	0.60	3.68	0.70	4.10	0.77	4.24	0.78	4.52	0.79	4.84	0.79
	32	2.41	0.58	3.13	0.73	3.68	0.85	4.10	0.93	4.24	0.94	4.52	0.96	4.84	0.96
	35	2.41	0.63	3.13	0.79	3.68	0.91	4.10	1.00	4.24	1.01	4.52	1.03	4.84	1.04
	40	2.41	0.63	3.13	0.80	3.68	0.92	3.90	1.01	4.03	1.02	4.30	1.04	4.60	1.05
	43	2.41	0.64	3.13	0.80	3.68	0.93	3.69	1.02	3.82	1.03	4.07	1.05	4.36	1.06
	46	2.41	0.64	3.13	0.81	3.42	0.94	3.49	1.03	3.61	1.04	3.85	1.06	4.12	1.06
	48	2.41	0.65	3.13	0.81	3.22	0.94	3.28	1.02	3.37	1.03	3.56	1.05	3.78	1.06
7 + 9	20	2.75	0.50	3.58	0.63	4.21	0.73	4.69	0.80	4.85	0.81	5.17	0.83	5.53	0.83
	25	2.75	0.59	3.58	0.75	4.21	0.86	4.69	0.95	4.85	0.96	5.17	0.98	5.53	0.98
	32	2.75	0.72	3.58	0.91	4.21	1.05	4.69	1.15	4.85	1.16	5.17	1.19	5.53	1.19
	35	2.75	0.78	3.58	0.97	4.21	1.13	4.69	1.24	4.85	1.25	5.17	1.27	5.53	1.28
	40	2.75	0.78	3.58	0.99	4.21	1.14	4.46	1.25	4.61	1.26	4.91	1.29	5.26	1.30
	43	2.75	0.79	3.58	0.99	4.21	1.15	4.22	1.26	4.36	1.27	4.65	1.30	4.98	1.31
	46	2.75	0.80	3.58	1.00	3.91	1.16	3.99	1.27	4.13	1.28	4.40	1.31	4.70	1.32
	48	2.75	0.80	3.58	1.01	3.68	1.17	3.75	1.26	3.86	1.27	4.07	1.30	4.32	1.31
9 + 9	20	3.10	0.61	4.03	0.77	4.74	0.89	5.28	0.98	5.46	0.99	5.81	1.01	6.22	1.01
	25	3.10	0.72	4.03	0.91	4.74	1.05	5.28	1.16	5.46	1.17	5.81	1.19	6.22	1.20
	32	3.10	0.88	4.03	1.10	4.74	1.28	5.28	1.40	5.46	1.41	5.81	1.44	6.22	1.45
	35	3.10	0.95	4.03	1.19	4.74	1.37	5.28	1.51	5.46	1.52	5.81	1.55	6.22	1.56
	40	3.10	0.96	4.03	1.20	4.74	1.39	5.01	1.53	5.18	1.54	5.52	1.57	5.91	1.58
	43	3.10	0.96	4.03	1.21	4.74	1.40	4.75	1.54	4.91	1.55	5.23	1.58	5.60	1.59
	46	3.10	0.97	4.03	1.22	4.40	1.41	4.49	1.55	4.64	1.56	4.94	1.59	5.29	1.60
	48	3.10	0.98	4.03	1.23	4.14	1.42	4.22	1.54	4.34	1.55	4.58	1.58	4.86	1.59
7 + 12	20	3.27	0.67	4.25	0.84	5.00	0.97	5.57	1.07	5.76	1.08	6.14	1.10	6.57	1.11
	25	3.27	0.79	4.25	0.99	5.00	1.15	5.57	1.26	5.76	1.27	6.14	1.30	6.57	1.31
	32	3.27	0.96	4.25	1.20	5.00	1.39	5.57	1.53	5.76	1.54	6.14	1.57	6.57	1.58
	35	3.27	1.03	4.25	1.29	5.00	1.50	5.57	1.64	5.76	1.66	6.14	1.69	6.57	1.70
	40	3.27	1.04	4.25	1.31	5.00	1.52	5.29	1.66	5.47	1.68	5.83	1.71	6.24	1.72
	43	3.27	1.05	4.25	1.32	5.00	1.53	5.01	1.67	5.18	1.69	5.53	1.73	5.91	1.74
	46	3.27	1.06	4.25	1.33	4.64	1.54	4.74	1.69	4.90	1.71	5.22	1.74	5.59	1.75
	48	3.27	1.06	4.25	1.34	4.37	1.55	4.45	1.68	4.58	1.70	4.84	1.73	5.13	1.74
9 + 12	20	3.61	0.79	4.70	0.99	5.53	1.14	6.15	1.25	6.36	1.26	6.78	1.29	7.26	1.30
	25	3.61	0.93	4.70	1.16	5.53	1.35	6.15	1.48	6.36	1.49	6.78	1.52	7.26	1.53
	32	3.61	1.12	4.70	1.41	5.53	1.64	6.15	1.79	6.36	1.81	6.78	1.85	7.26	1.86
	35	3.61	1.21	4.70	1.52	5.53	1.76	6.15	1.93	6.36	1.95	6.78	1.99	7.26	2.00
	40	3.61	1.22	4.70	1.54	5.53	1.78	5.85	1.95	6.05	1.97	6.44	2.01	6.90	2.02
	43	3.61	1.23	4.70	1.55	5.53	1.79	5.54	1.97	5.73	1.99	6.11	2.03	6.54	2.04
	46	3.61	1.24	4.70	1.56	5.13	1.81	5.23	1.98	5.41	2.00	5.77	2.04	6.17	2.05
	48	3.61	1.25	4.70	1.57	4.83	1.82	4.92	1.97	5.06	1.99	5.34	2.03	5.67	2.04
12 + 12	20	3.61	0.77	4.70	0.97	5.53	1.13	6.15	1.23	6.36	1.24	6.78	1.27	7.26	1.28
	25	3.61	0.91	4.70	1.15	5.53	1.33	6.15	1.46	6.36	1.47	6.78	1.50	7.26	1.51
	32	3.61	1.11	4.70	1.39	5.53	1.61	6.15	1.77	6.36	1.79	6.78	1.82	7.26	1.83
	35	3.61	1.19	4.70	1.50	5.53	1.73	6.15	1.90	6.36	1.92	6.78	1.96	7.26	1.97
	40	3.61	1.20	4.70	1.51	5.53	1.75	5.85	1.92	6.05	1.94	6.44	1.98	6.90	1.99
	43	3.61	1.21	4.70	1.52	5.53	1.76	5.54	1.94	5.73	1.96	6.11	1.99	6.54	2.01
	46	3.61	1.22	4.70	1.53	5.13	1.78	5.23	1.95	5.41	1.97	5.77	2.01	6.17	2.02
	48	3.61	1.23	4.70	1.54	4.83	1.79	4.92	1.94	5.06	1.96	5.34	2.00	5.67	2.01
7 + 18	20	3.61	0.75	4.70	0.94	5.53	1.09	6.15	1.20	6.36	1.21	6.78	1.23	7.26	1.24
	25	3.61	0.89	4.70	1.11	5.53	1.29	6.15	1.41	6.36	1.43	6.78	1.46	7.26	1.46

7. Capacity Tables

Combi.	Outdoor Air Temp. (°C, DB)	Indoor Air Temp. (°C, DB/WB)													
		20.0 / 14.0		23.0 / 16.0		26.0 / 18.0		27.0 / 19.0		28.0 / 20.0		30.0 / 22.0		32.0 / 24.0	
		TC	PI	TC	PI	TC	PI	TC	PI	TC	PI	TC	PI	TC	PI
7 + 18	32	3.61	1.08	4.70	1.35	5.53	1.56	6.15	1.72	6.36	1.74	6.78	1.77	7.26	1.78
	35	3.61	1.16	4.70	1.45	5.53	1.68	6.15	1.84	6.36	1.86	6.78	1.90	7.26	1.91
	40	3.61	1.17	4.70	1.47	5.53	1.70	5.85	1.87	6.05	1.89	6.44	1.92	6.90	1.93
	43	3.61	1.18	4.70	1.48	5.53	1.71	5.54	1.88	5.73	1.90	6.11	1.94	6.54	1.95
	46	3.61	1.19	4.70	1.49	5.13	1.73	5.23	1.89	5.41	1.91	5.77	1.95	6.17	1.96
	48	3.61	1.19	4.70	1.50	4.83	1.74	4.92	1.88	5.06	1.90	5.34	1.94	5.67	1.95
9 + 18	20	3.61	0.74	4.70	0.93	5.53	1.08	6.15	1.19	6.36	1.20	6.78	1.22	7.26	1.23
	25	3.61	0.88	4.70	1.10	5.53	1.28	6.15	1.40	6.36	1.41	6.78	1.44	7.26	1.45
	32	3.61	1.06	4.70	1.34	5.53	1.55	6.15	1.70	6.36	1.72	6.78	1.75	7.26	1.76
	35	3.61	1.14	4.70	1.44	5.53	1.66	6.15	1.83	6.36	1.85	6.78	1.88	7.26	1.89
	40	3.61	1.16	4.70	1.45	5.53	1.68	5.85	1.85	6.05	1.87	6.44	1.90	6.90	1.91
	43	3.61	1.17	4.70	1.46	5.53	1.70	5.54	1.86	5.73	1.88	6.11	1.92	6.54	1.93
	46	3.61	1.17	4.70	1.47	5.13	1.71	5.23	1.87	5.41	1.89	5.77	1.93	6.17	1.94
12 + 18	20	3.61	0.73	4.70	0.92	5.53	1.07	6.15	1.17	6.36	1.18	6.78	1.20	7.26	1.21
	25	3.61	0.86	4.70	1.08	5.53	1.26	6.15	1.38	6.36	1.39	6.78	1.42	7.26	1.43
	32	3.61	1.05	4.70	1.32	5.53	1.53	6.15	1.67	6.36	1.69	6.78	1.72	7.26	1.73
	35	3.61	1.13	4.70	1.42	5.53	1.64	6.15	1.80	6.36	1.82	6.78	1.85	7.26	1.86
	40	3.61	1.14	4.70	1.43	5.53	1.66	5.85	1.82	6.05	1.84	6.44	1.88	6.90	1.89
	43	3.61	1.15	4.70	1.44	5.53	1.67	5.54	1.83	5.73	1.85	6.11	1.89	6.54	1.90
	46	3.61	1.16	4.70	1.45	5.13	1.68	5.23	1.85	5.41	1.87	5.77	1.90	6.17	1.91
7 + 7 + 7	20	3.61	0.69	4.70	0.87	5.53	1.00	6.15	1.10	6.36	1.11	6.78	1.13	7.26	1.14
	25	3.61	0.81	4.70	1.02	5.53	1.18	6.15	1.30	6.36	1.31	6.78	1.34	7.26	1.34
	32	3.61	0.99	4.70	1.24	5.53	1.44	6.15	1.58	6.36	1.59	6.78	1.62	7.26	1.63
	35	3.61	1.06	4.70	1.33	5.53	1.54	6.15	1.69	6.36	1.71	6.78	1.74	7.26	1.75
	40	3.61	1.07	4.70	1.35	5.53	1.56	5.85	1.71	6.05	1.73	6.44	1.77	6.90	1.78
	43	3.61	1.08	4.70	1.36	5.53	1.57	5.54	1.73	5.73	1.75	6.11	1.78	6.54	1.79
	46	3.61	1.09	4.70	1.37	5.13	1.58	5.23	1.74	5.41	1.76	5.77	1.79	6.17	1.80
7 + 7 + 9	20	3.61	0.68	4.70	0.86	5.53	0.99	6.15	1.09	6.36	1.10	6.78	1.12	7.26	1.13
	25	3.61	0.81	4.70	1.01	5.53	1.17	6.15	1.28	6.36	1.29	6.78	1.32	7.26	1.33
	32	3.61	0.98	4.70	1.23	5.53	1.42	6.15	1.56	6.36	1.58	6.78	1.61	7.26	1.62
	35	3.61	1.05	4.70	1.32	5.53	1.53	6.15	1.68	6.36	1.70	6.78	1.73	7.26	1.74
	40	3.61	1.06	4.70	1.33	5.53	1.55	5.85	1.70	6.05	1.72	6.44	1.75	6.90	1.76
	43	3.61	1.07	4.70	1.34	5.53	1.56	5.54	1.71	5.73	1.73	6.11	1.76	6.54	1.77
	46	3.61	1.08	4.70	1.35	5.13	1.57	5.23	1.72	5.41	1.74	5.77	1.77	6.17	1.78
	48	3.61	1.09	4.70	1.36	4.83	1.58	4.92	1.71	5.06	1.73	5.34	1.76	5.67	1.77
7 + 9 + 9	20	3.61	0.68	4.70	0.85	5.53	0.98	6.15	1.08	6.36	1.09	6.78	1.11	7.26	1.12
	25	3.61	0.80	4.70	1.00	5.53	1.16	6.15	1.27	6.36	1.28	6.78	1.31	7.26	1.32
	32	3.61	0.97	4.70	1.21	5.53	1.41	6.15	1.54	6.36	1.56	6.78	1.59	7.26	1.60
	35	3.61	1.04	4.70	1.31	5.53	1.51	6.15	1.66	6.36	1.68	6.78	1.71	7.26	1.72
	40	3.61	1.05	4.70	1.32	5.53	1.53	5.85	1.68	6.05	1.70	6.44	1.73	6.90	1.74
	43	3.61	1.06	4.70	1.33	5.53	1.54	5.54	1.69	5.73	1.71	6.11	1.74	6.54	1.75
	46	3.61	1.07	4.70	1.34	5.13	1.55	5.23	1.70	5.41	1.72	5.77	1.75	6.17	1.76
	48	3.61	1.08	4.70	1.35	4.83	1.56	4.92	1.69	5.06	1.71	5.34	1.74	5.67	1.75
7 + 7 + 12	20	3.61	0.67	4.70	0.84	5.53	0.98	6.15	1.07	6.36	1.08	6.78	1.11	7.26	1.11
	25	3.61	0.79	4.70	1.00	5.53	1.15	6.15	1.27	6.36	1.28	6.78	1.30	7.26	1.31
	32	3.61	0.96	4.70	1.21	5.53	1.40	6.15	1.54	6.36	1.55	6.78	1.58	7.26	1.59
	35	3.61	1.04	4.70	1.30	5.53	1.51	6.15	1.65	6.36	1.67	6.78	1.70	7.26	1.71
	40	3.61	1.05	4.70	1.32	5.53	1.52	5.85	1.67	6.05	1.69	6.44	1.72	6.90	1.73

7. Capacity Tables

Combi.	Outdoor Air Temp. (°C, DB)	Indoor Air Temp. (°C, DB/WB)													
		20.0 / 14.0		23.0 / 16.0		26.0 / 18.0		27.0 / 19.0		28.0 / 20.0		30.0 / 22.0		32.0 / 24.0	
		TC	PI	TC	PI	TC	PI	TC	PI	TC	PI	TC	PI	TC	PI
7 + 7 + 12	43	3.61	1.05	4.70	1.32	5.53	1.53	5.54	1.68	5.73	1.70	6.11	1.73	6.54	1.74
	46	3.61	1.06	4.70	1.33	5.13	1.54	5.23	1.69	5.41	1.71	5.77	1.75	6.17	1.76
	48	3.61	1.07	4.70	1.34	4.83	1.56	4.92	1.68	5.06	1.70	5.34	1.74	5.67	1.75
9 + 9 + 9	20	3.61	0.67	4.70	0.84	5.53	0.97	6.15	1.07	6.36	1.08	6.78	1.10	7.26	1.11
	25	3.61	0.79	4.70	0.99	5.53	1.15	6.15	1.26	6.36	1.27	6.78	1.30	7.26	1.30
	32	3.61	0.96	4.70	1.20	5.53	1.39	6.15	1.53	6.36	1.54	6.78	1.57	7.26	1.58
	35	3.61	1.03	4.70	1.29	5.53	1.50	6.15	1.64	6.36	1.66	6.78	1.69	7.26	1.70
	40	3.61	1.04	4.70	1.31	5.53	1.52	5.85	1.66	6.05	1.68	6.44	1.71	6.90	1.72
	43	3.61	1.05	4.70	1.32	5.53	1.53	5.54	1.67	5.73	1.69	6.11	1.72	6.54	1.73
	46	3.61	1.06	4.70	1.33	5.13	1.54	5.23	1.69	5.41	1.71	5.77	1.74	6.17	1.75
7 + 9 + 12	20	3.61	0.67	4.70	0.84	5.53	0.97	6.15	1.06	6.36	1.07	6.78	1.09	7.26	1.10
	25	3.61	0.79	4.70	0.99	5.53	1.14	6.15	1.25	6.36	1.26	6.78	1.29	7.26	1.30
	32	3.61	0.95	4.70	1.20	5.53	1.39	6.15	1.52	6.36	1.54	6.78	1.57	7.26	1.58
	35	3.61	1.03	4.70	1.29	5.53	1.49	6.15	1.64	6.36	1.65	6.78	1.68	7.26	1.69
	40	3.61	1.04	4.70	1.30	5.53	1.51	5.85	1.65	6.05	1.67	6.44	1.70	6.90	1.71
	43	3.61	1.04	4.70	1.31	5.53	1.52	5.54	1.67	5.73	1.69	6.11	1.72	6.54	1.73
	46	3.61	1.05	4.70	1.32	5.13	1.53	5.23	1.68	5.41	1.70	5.77	1.73	6.17	1.74
9 + 9 + 12	20	3.61	0.66	4.70	0.83	5.53	0.96	6.15	1.05	6.36	1.06	6.78	1.08	7.26	1.09
	25	3.61	0.78	4.70	0.98	5.53	1.13	6.15	1.24	6.36	1.25	6.78	1.28	7.26	1.29
	32	3.61	0.94	4.70	1.18	5.53	1.37	6.15	1.51	6.36	1.52	6.78	1.55	7.26	1.56
	35	3.61	1.01	4.70	1.27	5.53	1.48	6.15	1.62	6.36	1.64	6.78	1.67	7.26	1.68
	40	3.61	1.03	4.70	1.29	5.53	1.49	5.85	1.64	6.05	1.66	6.44	1.69	6.90	1.70
	43	3.61	1.03	4.70	1.30	5.53	1.50	5.54	1.65	5.73	1.67	6.11	1.70	6.54	1.71
	46	3.61	1.04	4.70	1.31	5.13	1.51	5.23	1.66	5.41	1.68	5.77	1.71	6.17	1.72
7 + 12 + 12	20	3.61	0.66	4.70	0.83	5.53	0.96	6.15	1.05	6.36	1.06	6.78	1.08	7.26	1.09
	25	3.61	0.78	4.70	0.98	5.53	1.13	6.15	1.24	6.36	1.25	6.78	1.28	7.26	1.29
	32	3.61	0.94	4.70	1.18	5.53	1.37	6.15	1.51	6.36	1.52	6.78	1.55	7.26	1.56
	35	3.61	1.01	4.70	1.27	5.53	1.48	6.15	1.62	6.36	1.64	6.78	1.67	7.26	1.68
	40	3.61	1.03	4.70	1.29	5.53	1.49	5.85	1.64	6.05	1.66	6.44	1.69	6.90	1.70
	43	3.61	1.03	4.70	1.30	5.53	1.50	5.54	1.65	5.73	1.67	6.11	1.70	6.54	1.71
	46	3.61	1.04	4.70	1.31	5.13	1.51	5.23	1.66	5.41	1.68	5.77	1.71	6.17	1.72
7 + 7 + 18	20	3.61	0.66	4.70	0.83	5.53	0.96	6.15	1.05	6.36	1.06	6.78	1.08	7.26	1.09
	25	3.61	0.78	4.70	0.98	5.53	1.13	6.15	1.24	6.36	1.25	6.78	1.28	7.26	1.29
	32	3.61	0.94	4.70	1.18	5.53	1.37	6.15	1.51	6.36	1.52	6.78	1.55	7.26	1.56
	35	3.61	1.01	4.70	1.27	5.53	1.48	6.15	1.62	6.36	1.64	6.78	1.67	7.26	1.68
	40	3.61	1.03	4.70	1.29	5.53	1.49	5.85	1.64	6.05	1.66	6.44	1.69	6.90	1.70
	43	3.61	1.03	4.70	1.30	5.53	1.50	5.54	1.65	5.73	1.67	6.11	1.70	6.54	1.71
	46	3.61	1.04	4.70	1.31	5.13	1.51	5.23	1.66	5.41	1.68	5.77	1.71	6.17	1.72
9 + 12 + 12	20	3.61	0.66	4.70	0.83	5.53	0.96	6.15	1.05	6.36	1.06	6.78	1.08	7.26	1.09
	25	3.61	0.78	4.70	0.98	5.53	1.13	6.15	1.24	6.36	1.25	6.78	1.28	7.26	1.29
	32	3.61	0.94	4.70	1.18	5.53	1.37	6.15	1.51	6.36	1.52	6.78	1.55	7.26	1.56
	35	3.61	1.01	4.70	1.27	5.53	1.48	6.15	1.62	6.36	1.64	6.78	1.67	7.26	1.68
	40	3.61	1.03	4.70	1.29	5.53	1.49	5.85	1.64	6.05	1.66	6.44	1.69	6.90	1.70
	43	3.61	1.03	4.70	1.30	5.53	1.50	5.54	1.65	5.73	1.67	6.11	1.70	6.54	1.71
	46	3.61	1.04	4.70	1.31	5.13	1.51	5.23	1.66	5.41	1.68	5.77	1.71	6.17	1.72
48	3.61	1.05	4.70	1.32	4.83	1.52	4.92	1.65	5.06	1.67	5.34	1.70	5.67	1.71	

7. Capacity Tables

Note

- DB : Dry bulb temperature(°C), WB : Wet bulb temperature(°C)
- TC : Total capacity(kW)
- PI : Power Input (kW, Compressor + indoor fan motor + outdoor fan motor)
- All capacities are net. A deduction (cooling mode) or an addition (heating mode) of Capacity due to operating heat of indoor unit motor is reflected.
- Capacities are based on the following conditions :
 - Interconnecting Piping Length (Both Main pipe and Branch pipe) is standard length.
 - Difference of Elevation (Outdoor ~ Indoor Unit) is 0 m.
- Direct interpolation is permissible. Do not extrapolate.
- Rated capacities and power inputs are based on standard temperature and piping conditions, and it can be found on specifications table.
Except for rated value, the performance is not guaranteed.
- In accordance with the test standard(or nations) and indoor unit's combinations, the rating will vary slightly.

7. Capacity Tables

Z3UW24GFB1

Combi.	Outdoor Air Temp. (°C, DB)	Indoor Air Temp. (°C, DB/WB)													
		20.0 / 14.0		23.0 / 16.0		26.0 / 18.0		27.0 / 19.0		28.0 / 20.0		30.0 / 22.0		32.0 / 24.0	
		TC	PI	TC	PI	TC	PI	TC	PI	TC	PI	TC	PI	TC	PI
7 + 7	20	2.41	0.37	3.13	0.47	3.68	0.54	4.10	0.60	4.24	0.60	4.52	0.61	4.84	0.62
	25	2.41	0.44	3.13	0.55	3.68	0.64	4.10	0.70	4.24	0.71	4.52	0.72	4.84	0.73
	32	2.41	0.53	3.13	0.67	3.68	0.78	4.10	0.85	4.24	0.86	4.52	0.88	4.84	0.88
	35	2.41	0.57	3.13	0.72	3.68	0.84	4.10	0.92	4.24	0.93	4.52	0.94	4.84	0.95
	40	2.41	0.58	3.13	0.73	3.68	0.85	3.90	0.93	4.03	0.94	4.30	0.96	4.60	0.96
	43	2.41	0.59	3.13	0.74	3.68	0.86	3.69	0.94	3.82	0.95	4.07	0.97	4.36	0.97
	46	2.41	0.59	3.13	0.74	3.42	0.86	3.49	0.95	3.61	0.96	3.85	0.97	4.12	0.98
	48	2.41	0.60	3.13	0.75	3.22	0.87	3.28	0.94	3.37	0.95	3.56	0.96	3.78	0.97
7 + 9	20	2.75	0.45	3.58	0.57	4.21	0.66	4.69	0.72	4.85	0.73	5.17	0.74	5.53	0.75
	25	2.75	0.53	3.58	0.67	4.21	0.78	4.69	0.85	4.85	0.86	5.17	0.88	5.53	0.88
	32	2.75	0.65	3.58	0.81	4.21	0.94	4.69	1.03	4.85	1.04	5.17	1.06	5.53	1.07
	35	2.75	0.70	3.58	0.87	4.21	1.01	4.69	1.11	4.85	1.12	5.17	1.15	5.53	1.15
	40	2.75	0.71	3.58	0.89	4.21	1.03	4.46	1.13	4.61	1.14	4.91	1.16	5.26	1.17
	43	2.75	0.71	3.58	0.89	4.21	1.04	4.22	1.14	4.36	1.15	4.65	1.17	4.98	1.18
	46	2.75	0.72	3.58	0.90	3.91	1.05	3.99	1.15	4.13	1.16	4.40	1.18	4.71	1.19
	48	2.75	0.72	3.58	0.91	3.68	1.05	3.75	1.13	3.86	1.14	4.07	1.17	4.32	1.17
9 + 9	20	3.10	0.54	4.03	0.68	4.74	0.79	5.28	0.86	5.46	0.87	5.81	0.89	6.22	0.89
	25	3.10	0.64	4.03	0.80	4.74	0.93	5.28	1.02	5.46	1.03	5.81	1.05	6.22	1.05
	32	3.10	0.77	4.03	0.97	4.74	1.12	5.28	1.23	5.46	1.24	5.81	1.27	6.22	1.28
	35	3.10	0.83	4.03	1.04	4.74	1.21	5.28	1.33	5.46	1.34	5.81	1.37	6.22	1.37
	40	3.10	0.84	4.03	1.06	4.74	1.23	5.01	1.35	5.18	1.36	5.52	1.39	5.91	1.39
	43	3.10	0.85	4.03	1.07	4.74	1.24	4.75	1.36	4.91	1.37	5.24	1.40	5.60	1.41
	46	3.10	0.86	4.03	1.08	4.40	1.25	4.49	1.37	4.64	1.38	4.95	1.41	5.29	1.42
	48	3.10	0.87	4.03	1.09	4.14	1.26	4.22	1.35	4.34	1.36	4.58	1.39	4.86	1.40
7 + 12	20	3.27	0.59	4.25	0.74	5.00	0.85	5.57	0.94	5.76	0.95	6.14	0.97	6.57	0.97
	25	3.27	0.69	4.25	0.87	5.00	1.01	5.57	1.11	5.76	1.12	6.14	1.14	6.57	1.15
	32	3.27	0.84	4.25	1.06	5.00	1.22	5.57	1.34	5.76	1.35	6.14	1.38	6.57	1.39
	35	3.27	0.90	4.25	1.14	5.00	1.32	5.57	1.44	5.76	1.46	6.14	1.49	6.57	1.49
	40	3.27	0.92	4.25	1.15	5.00	1.33	5.29	1.46	5.47	1.48	5.83	1.51	6.24	1.52
	43	3.27	0.92	4.25	1.16	5.00	1.35	5.01	1.48	5.18	1.49	5.53	1.52	5.92	1.53
	46	3.27	0.93	4.25	1.17	4.64	1.36	4.74	1.49	4.90	1.50	5.22	1.53	5.59	1.54
	48	3.27	0.94	4.25	1.18	4.37	1.37	4.45	1.47	4.58	1.49	4.84	1.52	5.13	1.52
9 + 12	20	3.61	0.69	4.70	0.86	5.53	1.00	6.15	1.10	6.36	1.11	6.78	1.13	7.26	1.14
	25	3.61	0.81	4.70	1.02	5.53	1.18	6.15	1.30	6.36	1.31	6.78	1.34	7.26	1.34
	32	3.61	0.99	4.70	1.24	5.53	1.43	6.15	1.57	6.36	1.59	6.78	1.62	7.26	1.63
	35	3.61	1.06	4.70	1.33	5.53	1.54	6.15	1.69	6.36	1.71	6.78	1.74	7.26	1.75
	40	3.61	1.08	4.70	1.35	5.53	1.56	5.85	1.72	6.05	1.74	6.45	1.77	6.90	1.78
	43	3.61	1.08	4.70	1.36	5.53	1.58	5.54	1.73	5.73	1.75	6.11	1.78	6.54	1.79
	46	3.61	1.09	4.70	1.37	5.13	1.59	5.24	1.74	5.42	1.76	5.77	1.80	6.18	1.81
	48	3.61	1.10	4.70	1.38	4.83	1.60	4.92	1.73	5.06	1.75	5.34	1.78	5.67	1.79
12 + 12	20	4.13	0.86	5.37	1.08	6.32	1.25	7.03	1.37	7.27	1.38	7.75	1.41	8.30	1.42
	25	4.13	1.01	5.37	1.27	6.32	1.48	7.03	1.62	7.27	1.64	7.75	1.67	8.30	1.68
	32	4.13	1.23	5.37	1.55	6.32	1.79	7.03	1.96	7.27	1.98	7.75	2.02	8.30	2.04
	35	4.13	1.32	5.37	1.66	6.32	1.93	7.03	2.11	7.27	2.13	7.75	2.18	8.30	2.19
	40	4.13	1.34	5.37	1.69	6.32	1.95	6.68	2.14	6.91	2.16	7.37	2.21	7.89	2.22
	43	4.13	1.35	5.37	1.70	6.32	1.97	6.33	2.16	6.55	2.18	6.98	2.23	7.47	2.24
	46	4.13	1.37	5.37	1.71	5.86	1.99	5.98	2.18	6.18	2.20	6.59	2.24	7.06	2.26
	48	4.13	1.38	5.37	1.73	5.51	2.00	5.63	2.15	5.79	2.17	6.11	2.22	6.48	2.23
7 + 18	20	4.13	0.83	5.37	1.05	6.32	1.21	7.03	1.33	7.27	1.34	7.75	1.37	8.30	1.38
	25	4.13	0.98	5.37	1.23	6.32	1.43	7.03	1.57	7.27	1.58	7.75	1.61	8.30	1.62

7. Capacity Tables

Combi.	Outdoor Air Temp. (°C, DB)	Indoor Air Temp. (°C, DB/WB)													
		20.0 / 14.0		23.0 / 16.0		26.0 / 18.0		27.0 / 19.0		28.0 / 20.0		30.0 / 22.0		32.0 / 24.0	
		TC	PI	TC	PI	TC	PI	TC	PI	TC	PI	TC	PI	TC	PI
7 + 18	32	4.13	1.19	5.37	1.50	6.32	1.73	7.03	1.90	7.27	1.92	7.75	1.96	8.30	1.97
	35	4.13	1.28	5.37	1.61	6.32	1.86	7.03	2.04	7.27	2.06	7.75	2.11	8.30	2.12
	40	4.13	1.30	5.37	1.63	6.32	1.89	6.68	2.07	6.91	2.09	7.37	2.14	7.89	2.15
	43	4.13	1.31	5.37	1.65	6.32	1.91	6.33	2.09	6.55	2.11	6.98	2.15	7.47	2.17
	46	4.13	1.32	5.37	1.66	5.86	1.92	5.98	2.11	6.18	2.13	6.59	2.17	7.06	2.19
	48	4.13	1.33	5.37	1.67	5.51	1.94	5.63	2.09	5.79	2.11	6.11	2.15	6.48	2.16
9 + 18	20	4.13	0.83	5.37	1.04	6.32	1.21	7.03	1.32	7.27	1.33	7.75	1.36	8.30	1.37
	25	4.13	0.98	5.37	1.23	6.32	1.42	7.03	1.56	7.27	1.58	7.75	1.61	8.30	1.62
	32	4.13	1.19	5.37	1.49	6.32	1.73	7.03	1.89	7.27	1.91	7.75	1.95	8.30	1.96
	35	4.13	1.28	5.37	1.60	6.32	1.86	7.03	2.04	7.27	2.06	7.75	2.10	8.30	2.11
	40	4.13	1.29	5.37	1.63	6.32	1.88	6.68	2.07	6.91	2.09	7.37	2.13	7.89	2.14
	43	4.13	1.31	5.37	1.64	6.32	1.90	6.33	2.08	6.55	2.10	6.98	2.15	7.47	2.16
	46	4.13	1.32	5.37	1.65	5.86	1.92	5.98	2.10	6.18	2.12	6.59	2.16	7.06	2.18
48	4.13	1.33	5.37	1.67	5.51	1.93	5.63	2.08	5.79	2.10	6.11	2.14	6.48	2.15	
12 + 18	20	4.13	0.82	5.37	1.03	6.32	1.20	7.03	1.31	7.27	1.32	7.75	1.35	8.30	1.36
	25	4.13	0.97	5.37	1.22	6.32	1.41	7.03	1.55	7.27	1.57	7.75	1.60	8.30	1.61
	32	4.13	1.18	5.37	1.48	6.32	1.72	7.03	1.88	7.27	1.90	7.75	1.94	8.30	1.95
	35	4.13	1.27	5.37	1.59	6.32	1.85	7.03	2.02	7.27	2.04	7.75	2.09	8.30	2.10
	40	4.13	1.29	5.37	1.62	6.32	1.87	6.68	2.05	6.91	2.07	7.37	2.12	7.89	2.13
	43	4.13	1.30	5.37	1.63	6.32	1.89	6.33	2.07	6.55	2.09	6.98	2.13	7.47	2.15
	46	4.13	1.31	5.37	1.64	5.86	1.90	5.98	2.09	6.18	2.11	6.59	2.15	7.06	2.16
48	4.13	1.32	5.37	1.66	5.51	1.92	5.63	2.06	5.79	2.08	6.11	2.13	6.48	2.14	
7 + 24	20	4.13	0.82	5.37	1.03	6.32	1.20	7.03	1.31	7.27	1.32	7.75	1.35	8.30	1.36
	25	4.13	0.97	5.37	1.22	6.32	1.41	7.03	1.55	7.27	1.56	7.75	1.59	8.30	1.60
	32	4.13	1.18	5.37	1.48	6.32	1.71	7.03	1.88	7.27	1.90	7.75	1.94	8.30	1.95
	35	4.13	1.27	5.37	1.59	6.32	1.84	7.03	2.02	7.27	2.04	7.75	2.08	8.30	2.09
	40	4.13	1.28	5.37	1.61	6.32	1.87	6.68	2.05	6.91	2.07	7.37	2.11	7.89	2.12
	43	4.13	1.30	5.37	1.63	6.32	1.88	6.33	2.07	6.55	2.09	6.98	2.13	7.47	2.14
	46	4.13	1.31	5.37	1.64	5.86	1.90	5.98	2.08	6.18	2.10	6.59	2.15	7.06	2.16
48	4.13	1.32	5.37	1.65	5.51	1.92	5.63	2.06	5.79	2.08	6.11	2.12	6.48	2.14	
9 + 24	20	4.13	0.82	5.37	1.03	6.32	1.19	7.03	1.31	7.27	1.32	7.75	1.35	8.30	1.35
	25	4.13	0.97	5.37	1.21	6.32	1.41	7.03	1.54	7.27	1.56	7.75	1.59	8.30	1.60
	32	4.13	1.17	5.37	1.47	6.32	1.71	7.03	1.87	7.27	1.89	7.75	1.93	8.30	1.94
	35	4.13	1.26	5.37	1.58	6.32	1.83	7.03	2.01	7.27	2.03	7.75	2.07	8.30	2.08
	40	4.13	1.28	5.37	1.61	6.32	1.86	6.68	2.04	6.91	2.06	7.37	2.10	7.89	2.11
	43	4.13	1.29	5.37	1.62	6.32	1.88	6.33	2.06	6.55	2.08	6.98	2.12	7.47	2.13
	46	4.13	1.30	5.37	1.63	5.86	1.89	5.98	2.08	6.18	2.10	6.59	2.14	7.06	2.15
	48	4.13	1.31	5.37	1.65	5.51	1.91	5.63	2.05	5.79	2.07	6.11	2.11	6.48	2.13
12 + 24	20	4.13	0.81	5.37	1.02	6.32	1.18	7.03	1.30	7.27	1.31	7.75	1.34	8.30	1.35
	25	4.13	0.96	5.37	1.21	6.32	1.40	7.03	1.53	7.27	1.55	7.75	1.58	8.30	1.59
	32	4.13	1.17	5.37	1.46	6.32	1.70	7.03	1.86	7.27	1.88	7.75	1.92	8.30	1.93
	35	4.13	1.25	5.37	1.57	6.32	1.82	7.03	2.00	7.27	2.02	7.75	2.06	8.30	2.07
	40	4.13	1.27	5.37	1.60	6.32	1.85	6.68	2.03	6.91	2.05	7.37	2.09	7.89	2.10
	43	4.13	1.28	5.37	1.61	6.32	1.87	6.33	2.05	6.55	2.07	6.98	2.11	7.47	2.12
	46	4.13	1.29	5.37	1.62	5.86	1.88	5.98	2.06	6.18	2.08	6.59	2.13	7.06	2.14
	48	4.13	1.30	5.37	1.64	5.51	1.90	5.63	2.04	5.79	2.06	6.11	2.10	6.48	2.11
18 + 18	20	4.13	0.79	5.37	0.99	6.32	1.15	7.03	1.26	7.27	1.27	7.75	1.30	8.30	1.30
	25	4.13	0.93	5.37	1.17	6.32	1.35	7.03	1.49	7.27	1.50	7.75	1.53	8.30	1.54
	32	4.13	1.13	5.37	1.42	6.32	1.64	7.03	1.80	7.27	1.82	7.75	1.86	8.30	1.87
	35	4.13	1.22	5.37	1.53	6.32	1.77	7.03	1.94	7.27	1.96	7.75	2.00	8.30	2.01
	40	4.13	1.23	5.37	1.55	6.32	1.79	6.68	1.97	6.91	1.99	7.37	2.03	7.89	2.04

7. Capacity Tables

Combi.	Outdoor Air Temp. (°C, DB)	Indoor Air Temp. (°C, DB/WB)													
		20.0 / 14.0		23.0 / 16.0		26.0 / 18.0		27.0 / 19.0		28.0 / 20.0		30.0 / 22.0		32.0 / 24.0	
		TC	PI	TC	PI	TC	PI	TC	PI	TC	PI	TC	PI	TC	PI
18 + 18	43	4.13	1.24	5.37	1.56	6.32	1.81	6.33	1.98	6.55	2.00	6.98	2.04	7.47	2.05
	46	4.13	1.25	5.37	1.57	5.86	1.82	5.98	2.00	6.18	2.02	6.59	2.06	7.06	2.07
	48	4.13	1.26	5.37	1.59	5.51	1.84	5.63	1.98	5.79	2.00	6.11	2.04	6.48	2.05
7 + 7 + 7	20	3.61	0.63	4.70	0.80	5.53	0.92	6.15	1.01	6.36	1.02	6.78	1.04	7.26	1.05
	25	3.61	0.75	4.70	0.94	5.53	1.09	6.15	1.19	6.36	1.20	6.78	1.23	7.26	1.24
	32	3.61	0.91	4.70	1.14	5.53	1.32	6.15	1.45	6.36	1.46	6.78	1.49	7.26	1.50
	35	3.61	0.98	4.70	1.23	5.53	1.42	6.15	1.56	6.36	1.58	6.78	1.61	7.26	1.62
	40	3.61	0.99	4.70	1.24	5.53	1.44	5.85	1.58	6.05	1.60	6.45	1.63	6.90	1.64
	43	3.61	1.00	4.70	1.25	5.53	1.45	5.54	1.59	5.73	1.61	6.11	1.64	6.54	1.65
	46	3.61	1.01	4.70	1.27	5.13	1.47	5.24	1.61	5.42	1.63	5.77	1.66	6.18	1.67
7 + 7 + 9	20	3.96	0.73	5.15	0.92	6.05	1.06	6.74	1.17	6.97	1.18	7.43	1.20	7.95	1.21
	25	3.96	0.86	5.15	1.08	6.05	1.25	6.74	1.38	6.97	1.39	7.43	1.42	7.95	1.43
	32	3.96	1.05	5.15	1.31	6.05	1.52	6.74	1.67	6.97	1.69	7.43	1.72	7.95	1.73
	35	3.96	1.13	5.15	1.41	6.05	1.64	6.74	1.79	6.97	1.81	7.43	1.85	7.95	1.86
	40	3.96	1.14	5.15	1.43	6.05	1.66	6.41	1.82	6.63	1.84	7.06	1.88	7.56	1.89
	43	3.96	1.15	5.15	1.44	6.05	1.67	6.07	1.84	6.28	1.86	6.69	1.89	7.16	1.90
	46	3.96	1.16	5.15	1.46	5.62	1.69	5.73	1.85	5.93	1.87	6.32	1.91	6.76	1.92
7 + 9 + 9	20	4.13	0.79	5.37	0.99	6.32	1.15	7.03	1.26	7.27	1.27	7.75	1.30	8.30	1.31
	25	4.13	0.93	5.37	1.17	6.32	1.36	7.03	1.49	7.27	1.50	7.75	1.53	8.30	1.54
	32	4.13	1.13	5.37	1.42	6.32	1.64	7.03	1.80	7.27	1.82	7.75	1.86	8.30	1.87
	35	4.13	1.22	5.37	1.53	6.32	1.77	7.03	1.94	7.27	1.96	7.75	2.00	8.30	2.01
	40	4.13	1.23	5.37	1.55	6.32	1.79	6.68	1.97	6.91	1.99	7.37	2.03	7.89	2.04
	43	4.13	1.24	5.37	1.56	6.32	1.81	6.33	1.98	6.55	2.00	6.98	2.04	7.47	2.06
	46	4.13	1.25	5.37	1.57	5.86	1.82	5.98	2.00	6.18	2.02	6.59	2.06	7.06	2.07
7 + 7 + 12	20	4.13	0.79	5.37	0.99	6.32	1.15	7.03	1.26	7.27	1.27	7.75	1.29	8.30	1.30
	25	4.13	0.93	5.37	1.17	6.32	1.35	7.03	1.48	7.27	1.50	7.75	1.53	8.30	1.54
	32	4.13	1.13	5.37	1.42	6.32	1.64	7.03	1.80	7.27	1.82	7.75	1.85	8.30	1.86
	35	4.13	1.21	5.37	1.52	6.32	1.76	7.03	1.93	7.27	1.95	7.75	1.99	8.30	2.00
	40	4.13	1.23	5.37	1.54	6.32	1.79	6.68	1.96	6.91	1.98	7.37	2.02	7.89	2.03
	43	4.13	1.24	5.37	1.56	6.32	1.80	6.33	1.98	6.55	2.00	6.98	2.04	7.47	2.05
	46	4.13	1.25	5.37	1.57	5.86	1.82	5.98	2.00	6.18	2.02	6.59	2.06	7.06	2.07
9 + 9 + 9	20	4.13	0.79	5.37	0.99	6.32	1.14	7.03	1.25	7.27	1.26	7.75	1.29	8.30	1.30
	25	4.13	0.93	5.37	1.16	6.32	1.35	7.03	1.48	7.27	1.49	7.75	1.52	8.30	1.53
	32	4.13	1.12	5.37	1.41	6.32	1.63	7.03	1.79	7.27	1.81	7.75	1.85	8.30	1.86
	35	4.13	1.21	5.37	1.52	6.32	1.76	7.03	1.93	7.27	1.95	7.75	1.99	8.30	2.00
	40	4.13	1.23	5.37	1.54	6.32	1.78	6.68	1.96	6.91	1.98	7.37	2.02	7.89	2.03
	43	4.13	1.24	5.37	1.55	6.32	1.80	6.33	1.97	6.55	1.99	6.98	2.03	7.47	2.04
	46	4.13	1.25	5.37	1.57	5.86	1.81	5.98	1.99	6.18	2.01	6.59	2.05	7.06	2.06
7 + 9 + 12	20	4.13	0.78	5.37	0.97	6.32	1.13	7.03	1.24	7.27	1.25	7.75	1.27	8.30	1.28
	25	4.13	0.92	5.37	1.15	6.32	1.33	7.03	1.46	7.27	1.47	7.75	1.50	8.30	1.51
	32	4.13	1.11	5.37	1.39	6.32	1.62	7.03	1.77	7.27	1.79	7.75	1.82	8.30	1.84
	35	4.13	1.19	5.37	1.50	6.32	1.74	7.03	1.91	7.27	1.93	7.75	1.96	8.30	1.97
	40	4.13	1.21	5.37	1.52	6.32	1.76	6.68	1.93	6.91	1.95	7.37	1.99	7.89	2.00
	43	4.13	1.22	5.37	1.53	6.32	1.78	6.33	1.95	6.55	1.97	6.98	2.01	7.47	2.02
	46	4.13	1.23	5.37	1.55	5.86	1.79	5.98	1.97	6.18	1.99	6.59	2.02	7.06	2.04
48	4.13	1.24	5.37	1.56	5.51	1.81	5.63	1.94	5.79	1.96	6.11	2.00	6.48	2.01	

7. Capacity Tables

Combi.	Outdoor Air Temp. (°C, DB)	Indoor Air Temp. (°C, DB/WB)													
		20.0 / 14.0		23.0 / 16.0		26.0 / 18.0		27.0 / 19.0		28.0 / 20.0		30.0 / 22.0		32.0 / 24.0	
		TC	PI	TC	PI	TC	PI	TC	PI	TC	PI	TC	PI	TC	PI
9 + 9 + 12	20	4.13	0.77	5.37	0.97	6.32	1.12	7.03	1.23	7.27	1.24	7.75	1.27	8.30	1.28
	25	4.13	0.91	5.37	1.14	6.32	1.33	7.03	1.45	7.27	1.47	7.75	1.50	8.30	1.51
	32	4.13	1.11	5.37	1.39	6.32	1.61	7.03	1.76	7.27	1.78	7.75	1.82	8.30	1.83
	35	4.13	1.19	5.37	1.49	6.32	1.73	7.03	1.90	7.27	1.92	7.75	1.95	8.30	1.97
	40	4.13	1.21	5.37	1.51	6.32	1.75	6.68	1.92	6.91	1.94	7.37	1.98	7.89	1.99
	43	4.13	1.22	5.37	1.53	6.32	1.77	6.33	1.94	6.55	1.96	6.98	2.00	7.47	2.01
	46	4.13	1.23	5.37	1.54	5.86	1.78	5.98	1.96	6.18	1.98	6.59	2.02	7.06	2.03
7 + 12 + 12	20	4.13	0.77	5.37	0.97	6.32	1.12	7.03	1.23	7.27	1.24	7.75	1.27	8.30	1.27
	25	4.13	0.91	5.37	1.14	6.32	1.32	7.03	1.45	7.27	1.46	7.75	1.49	8.30	1.50
	32	4.13	1.10	5.37	1.39	6.32	1.61	7.03	1.76	7.27	1.78	7.75	1.81	8.30	1.82
	35	4.13	1.19	5.37	1.49	6.32	1.73	7.03	1.89	7.27	1.91	7.75	1.95	8.30	1.96
	40	4.13	1.20	5.37	1.51	6.32	1.75	6.68	1.92	6.91	1.94	7.37	1.98	7.89	1.99
	43	4.13	1.21	5.37	1.52	6.32	1.77	6.33	1.94	6.55	1.96	6.98	2.00	7.47	2.01
	46	4.13	1.22	5.37	1.54	5.86	1.78	5.98	1.95	6.18	1.97	6.59	2.01	7.06	2.02
7 + 7 + 18	20	4.13	0.75	5.37	0.95	6.32	1.10	7.03	1.20	7.27	1.21	7.75	1.24	8.30	1.25
	25	4.13	0.89	5.37	1.12	6.32	1.29	7.03	1.42	7.27	1.43	7.75	1.46	8.30	1.47
	32	4.13	1.08	5.37	1.36	6.32	1.57	7.03	1.72	7.27	1.74	7.75	1.77	8.30	1.78
	35	4.13	1.16	5.37	1.46	6.32	1.69	7.03	1.85	7.27	1.87	7.75	1.91	8.30	1.92
	40	4.13	1.18	5.37	1.48	6.32	1.71	6.68	1.88	6.91	1.90	7.37	1.94	7.89	1.95
	43	4.13	1.19	5.37	1.49	6.32	1.73	6.33	1.89	6.55	1.91	6.98	1.95	7.47	1.96
	46	4.13	1.20	5.37	1.50	5.86	1.74	5.98	1.91	6.18	1.93	6.59	1.97	7.06	1.98
9 + 12 + 12	20	4.13	0.77	5.37	0.96	6.32	1.12	7.03	1.22	7.27	1.23	7.75	1.26	8.30	1.27
	25	4.13	0.91	5.37	1.14	6.32	1.32	7.03	1.45	7.27	1.46	7.75	1.49	8.30	1.50
	32	4.13	1.10	5.37	1.38	6.32	1.60	7.03	1.75	7.27	1.77	7.75	1.81	8.30	1.82
	35	4.13	1.18	5.37	1.48	6.32	1.72	7.03	1.89	7.27	1.91	7.75	1.94	8.30	1.95
	40	4.13	1.20	5.37	1.51	6.32	1.74	6.68	1.91	6.91	1.93	7.37	1.97	7.89	1.98
	43	4.13	1.21	5.37	1.52	6.32	1.76	6.33	1.93	6.55	1.95	6.98	1.99	7.47	2.00
	46	4.13	1.22	5.37	1.53	5.86	1.77	5.98	1.95	6.18	1.97	6.59	2.00	7.06	2.02
7 + 9 + 18	20	4.13	0.75	5.37	0.94	6.32	1.09	7.03	1.20	7.27	1.21	7.75	1.23	8.30	1.24
	25	4.13	0.89	5.37	1.11	6.32	1.29	7.03	1.41	7.27	1.43	7.75	1.46	8.30	1.46
	32	4.13	1.08	5.37	1.35	6.32	1.56	7.03	1.72	7.27	1.74	7.75	1.77	8.30	1.78
	35	4.13	1.16	5.37	1.45	6.32	1.68	7.03	1.84	7.27	1.86	7.75	1.90	8.30	1.91
	40	4.13	1.17	5.37	1.47	6.32	1.71	6.68	1.87	6.91	1.89	7.37	1.93	7.89	1.94
	43	4.13	1.18	5.37	1.48	6.32	1.72	6.33	1.89	6.55	1.91	6.98	1.94	7.47	1.96
	46	4.13	1.19	5.37	1.50	5.86	1.73	5.98	1.90	6.18	1.92	6.59	1.96	7.06	1.97
9 + 9 + 18	20	4.13	0.75	5.37	0.94	6.32	1.09	7.03	1.19	7.27	1.20	7.75	1.23	8.30	1.24
	25	4.13	0.88	5.37	1.11	6.32	1.28	7.03	1.41	7.27	1.42	7.75	1.45	8.30	1.46
	32	4.13	1.07	5.37	1.34	6.32	1.56	7.03	1.71	7.27	1.73	7.75	1.76	8.30	1.77
	35	4.13	1.15	5.37	1.45	6.32	1.67	7.03	1.84	7.27	1.86	7.75	1.89	8.30	1.90
	40	4.13	1.17	5.37	1.47	6.32	1.70	6.68	1.86	6.91	1.88	7.37	1.92	7.89	1.93
	43	4.13	1.18	5.37	1.48	6.32	1.71	6.33	1.88	6.55	1.90	6.98	1.94	7.47	1.95
	46	4.13	1.19	5.37	1.49	5.86	1.73	5.98	1.90	6.18	1.92	6.59	1.95	7.06	1.96
12 + 12 + 1 2	20	4.13	0.76	5.37	0.96	6.32	1.11	7.03	1.22	7.27	1.23	7.75	1.25	8.30	1.26
	25	4.13	0.90	5.37	1.13	6.32	1.31	7.03	1.44	7.27	1.45	7.75	1.48	8.30	1.49
	32	4.13	1.09	5.37	1.37	6.32	1.59	7.03	1.74	7.27	1.76	7.75	1.80	8.30	1.81

7. Capacity Tables

Combi.	Outdoor Air Temp. (°C, DB)	Indoor Air Temp. (°C, DB/WB)													
		20.0 / 14.0		23.0 / 16.0		26.0 / 18.0		27.0 / 19.0		28.0 / 20.0		30.0 / 22.0		32.0 / 24.0	
		TC	PI	TC	PI	TC	PI	TC	PI	TC	PI	TC	PI	TC	PI
12 + 12 + 1 2	35	4.13	1.18	5.37	1.48	6.32	1.71	7.03	1.87	7.27	1.89	7.75	1.93	8.30	1.94
	40	4.13	1.19	5.37	1.50	6.32	1.73	6.68	1.90	6.91	1.92	7.37	1.96	7.89	1.97
	43	4.13	1.20	5.37	1.51	6.32	1.75	6.33	1.92	6.55	1.94	6.98	1.98	7.47	1.99
	46	4.13	1.21	5.37	1.52	5.86	1.76	5.98	1.93	6.18	1.95	6.59	1.99	7.06	2.00
	48	4.13	1.22	5.37	1.53	5.51	1.78	5.63	1.91	5.79	1.93	6.11	1.97	6.48	1.98
7 + 12 + 18	20	4.13	0.75	5.37	0.94	6.32	1.09	7.03	1.19	7.27	1.20	7.75	1.23	8.30	1.23
	25	4.13	0.88	5.37	1.11	6.32	1.28	7.03	1.41	7.27	1.42	7.75	1.45	8.30	1.46
	32	4.13	1.07	5.37	1.34	6.32	1.55	7.03	1.71	7.27	1.73	7.75	1.76	8.30	1.77
	35	4.13	1.15	5.37	1.44	6.32	1.67	7.03	1.83	7.27	1.85	7.75	1.89	8.30	1.90
	40	4.13	1.17	5.37	1.46	6.32	1.70	6.68	1.86	6.91	1.88	7.37	1.92	7.89	1.93
	43	4.13	1.18	5.37	1.48	6.32	1.71	6.33	1.88	6.55	1.90	6.98	1.93	7.47	1.94
	46	4.13	1.19	5.37	1.49	5.86	1.72	5.98	1.89	6.18	1.91	6.59	1.95	7.06	1.96
7 + 7 + 24	20	4.13	0.74	5.37	0.94	6.32	1.08	7.03	1.19	7.27	1.20	7.75	1.22	8.30	1.23
	25	4.13	0.88	5.37	1.10	6.32	1.28	7.03	1.40	7.27	1.41	7.75	1.44	8.30	1.45
	32	4.13	1.07	5.37	1.34	6.32	1.55	7.03	1.70	7.27	1.72	7.75	1.75	8.30	1.76
	35	4.13	1.15	5.37	1.44	6.32	1.67	7.03	1.83	7.27	1.85	7.75	1.89	8.30	1.90
	40	4.13	1.16	5.37	1.46	6.32	1.69	6.68	1.86	6.91	1.88	7.37	1.91	7.89	1.92
	43	4.13	1.17	5.37	1.47	6.32	1.71	6.33	1.87	6.55	1.89	6.98	1.93	7.47	1.94
	46	4.13	1.18	5.37	1.49	5.86	1.72	5.98	1.89	6.18	1.91	6.59	1.94	7.06	1.96
	48	4.13	1.19	5.37	1.50	5.51	1.74	5.63	1.87	5.79	1.89	6.11	1.92	6.48	1.93
9 + 12 + 18	20	4.13	0.74	5.37	0.93	6.32	1.08	7.03	1.19	7.27	1.20	7.75	1.22	8.30	1.23
	25	4.13	0.88	5.37	1.10	6.32	1.28	7.03	1.40	7.27	1.41	7.75	1.44	8.30	1.45
	32	4.13	1.06	5.37	1.34	6.32	1.55	7.03	1.70	7.27	1.72	7.75	1.75	8.30	1.76
	35	4.13	1.14	5.37	1.44	6.32	1.66	7.03	1.83	7.27	1.85	7.75	1.88	8.30	1.89
	40	4.13	1.16	5.37	1.46	6.32	1.69	6.68	1.85	6.91	1.87	7.37	1.91	7.89	1.92
	43	4.13	1.17	5.37	1.47	6.32	1.70	6.33	1.87	6.55	1.89	6.98	1.92	7.47	1.94
	46	4.13	1.18	5.37	1.48	5.86	1.72	5.98	1.88	6.18	1.90	6.59	1.94	7.06	1.95
	48	4.13	1.19	5.37	1.50	5.51	1.73	5.63	1.86	5.79	1.88	6.11	1.92	6.48	1.93

Note

- DB : Dry bulb temperature(°C), WB : Wet bulb temperature(°C)
- TC : Total capacity(kW)
- PI : Power Input (kW, Compressor + indoor fan motor + outdoor fan motor)
- All capacities are net. A deduction (cooling mode) or an addition (heating mode) of Capacity due to operating heat of indoor unit motor is reflected.
- Capacities are based on the following conditions :
 - Interconnecting Piping Length (Both Main pipe and Branch pipe) is standard length.
 - Difference of Elevation (Outdoor ~ Indoor Unit) is 0 m.
- Direct interpolation is permissible. Do not extrapolate.
- Rated capacities and power inputs are based on standard temperature and piping conditions, and it can be found on specifications table.
 - Except for rated value, the performance is not guaranteed.
- In accordance with the test standard(or nations) and indoor unit's combinations, the rating will vary slightly.

7. Capacity Tables

Z4UW30GFB1

Combi.	Outdoor Air Temp. (°C, DB)	Indoor Air Temp. (°C, DB/WB)													
		20.0 / 14.0		23.0 / 16.0		26.0 / 18.0		27.0 / 19.0		28.0 / 20.0		30.0 / 22.0		32.0 / 24.0	
		TC	PI	TC	PI	TC	PI	TC	PI	TC	PI	TC	PI	TC	PI
7 + 7	20	2.41	0.34	3.13	0.43	3.68	0.50	4.10	0.55	4.24	0.55	4.52	0.56	4.84	0.57
	25	2.41	0.40	3.13	0.51	3.68	0.59	4.10	0.65	4.24	0.66	4.52	0.67	4.84	0.67
	32	2.41	0.49	3.13	0.62	3.68	0.71	4.10	0.78	4.24	0.79	4.52	0.81	4.84	0.81
	35	2.41	0.53	3.13	0.66	3.68	0.77	4.10	0.84	4.24	0.85	4.52	0.87	4.84	0.87
	40	2.41	0.54	3.13	0.67	3.68	0.78	3.90	0.85	4.03	0.86	4.30	0.88	4.60	0.89
	43	2.41	0.54	3.13	0.68	3.68	0.79	3.69	0.86	3.82	0.87	4.07	0.89	4.36	0.89
	46	2.41	0.54	3.13	0.68	3.42	0.79	3.49	0.87	3.61	0.88	3.84	0.90	4.11	0.90
	48	2.41	0.55	3.13	0.69	3.22	0.80	3.28	0.86	3.37	0.87	3.56	0.89	3.78	0.89
7 + 9	20	2.75	0.41	3.58	0.52	4.21	0.60	4.69	0.66	4.85	0.67	5.17	0.68	5.53	0.68
	25	2.75	0.49	3.58	0.61	4.21	0.71	4.69	0.78	4.85	0.79	5.17	0.80	5.53	0.80
	32	2.75	0.59	3.58	0.74	4.21	0.86	4.69	0.94	4.85	0.95	5.17	0.97	5.53	0.98
	35	2.75	0.63	3.58	0.80	4.21	0.92	4.69	1.01	4.85	1.02	5.17	1.04	5.53	1.05
	40	2.75	0.64	3.58	0.81	4.21	0.94	4.45	1.03	4.60	1.04	4.91	1.06	5.26	1.06
	43	2.75	0.65	3.58	0.81	4.21	0.94	4.22	1.03	4.36	1.04	4.65	1.07	4.98	1.07
	46	2.75	0.65	3.58	0.82	3.91	0.95	3.99	1.04	4.12	1.05	4.39	1.07	4.70	1.08
	48	2.75	0.66	3.58	0.83	3.68	0.96	3.75	1.03	3.86	1.04	4.07	1.06	4.32	1.07
9 + 9	20	3.10	0.45	4.03	0.56	4.74	0.65	5.28	0.72	5.46	0.73	5.81	0.74	6.22	0.74
	25	3.10	0.53	4.03	0.66	4.74	0.77	5.28	0.84	5.46	0.85	5.81	0.87	6.22	0.88
	32	3.10	0.64	4.03	0.81	4.74	0.93	5.28	1.03	5.46	1.04	5.81	1.06	6.22	1.06
	35	3.10	0.69	4.03	0.87	4.74	1.01	5.28	1.10	5.46	1.11	5.81	1.14	6.22	1.14
	40	3.10	0.70	4.03	0.88	4.74	1.02	5.01	1.12	5.18	1.13	5.52	1.15	5.91	1.16
	43	3.10	0.71	4.03	0.89	4.74	1.03	4.75	1.13	4.91	1.14	5.23	1.16	5.60	1.17
	46	3.10	0.71	4.03	0.89	4.39	1.04	4.48	1.14	4.63	1.15	4.94	1.17	5.29	1.18
	48	3.10	0.72	4.03	0.90	4.14	1.04	4.22	1.12	4.34	1.13	4.58	1.16	4.86	1.17
7 + 12	20	3.27	0.49	4.25	0.61	5.00	0.71	5.57	0.78	5.76	0.79	6.14	0.80	6.57	0.81
	25	3.27	0.57	4.25	0.72	5.00	0.84	5.57	0.92	5.76	0.93	6.14	0.94	6.57	0.95
	32	3.27	0.70	4.25	0.88	5.00	1.01	5.57	1.11	5.76	1.12	6.14	1.15	6.57	1.15
	35	3.27	0.75	4.25	0.94	5.00	1.09	5.57	1.20	5.76	1.21	6.14	1.23	6.57	1.24
	40	3.27	0.76	4.25	0.95	5.00	1.11	5.29	1.21	5.47	1.22	5.83	1.25	6.24	1.26
	43	3.27	0.77	4.25	0.96	5.00	1.12	5.01	1.22	5.18	1.23	5.52	1.26	5.91	1.27
	46	3.27	0.77	4.25	0.97	4.64	1.12	4.73	1.23	4.89	1.24	5.22	1.27	5.58	1.28
	48	3.27	0.78	4.25	0.98	4.37	1.13	4.45	1.22	4.58	1.23	4.84	1.26	5.13	1.26
9 + 12	20	3.61	0.57	4.70	0.71	5.53	0.83	6.15	0.91	6.36	0.92	6.78	0.93	7.26	0.94
	25	3.61	0.67	4.70	0.84	5.53	0.98	6.15	1.07	6.36	1.08	6.78	1.10	7.26	1.11
	32	3.61	0.81	4.70	1.02	5.53	1.18	6.15	1.30	6.36	1.31	6.78	1.34	7.26	1.35
	35	3.61	0.88	4.70	1.10	5.53	1.27	6.15	1.40	6.36	1.41	6.78	1.44	7.26	1.45
	40	3.61	0.89	4.70	1.11	5.53	1.29	5.85	1.42	6.05	1.43	6.44	1.46	6.90	1.47
	43	3.61	0.90	4.70	1.12	5.53	1.30	5.54	1.43	5.73	1.44	6.10	1.47	6.53	1.48
	46	3.61	0.90	4.70	1.13	5.13	1.31	5.23	1.44	5.41	1.45	5.76	1.48	6.17	1.49
	48	3.61	0.91	4.70	1.14	4.83	1.32	4.92	1.42	5.06	1.44	5.34	1.47	5.67	1.48
12 + 12	20	4.13	0.70	5.37	0.88	6.32	1.02	7.03	1.12	7.27	1.13	7.75	1.16	8.30	1.16
	25	4.13	0.83	5.37	1.04	6.32	1.21	7.03	1.33	7.27	1.34	7.75	1.37	8.30	1.37
	32	4.13	1.01	5.37	1.27	6.32	1.47	7.03	1.61	7.27	1.63	7.75	1.66	8.30	1.67
	35	4.13	1.08	5.37	1.36	6.32	1.58	7.03	1.73	7.27	1.75	7.75	1.78	8.30	1.79
	40	4.13	1.10	5.37	1.38	6.32	1.60	6.68	1.75	6.91	1.77	7.36	1.81	7.88	1.82
	43	4.13	1.11	5.37	1.39	6.32	1.61	6.33	1.77	6.55	1.79	6.98	1.82	7.47	1.83
	46	4.13	1.12	5.37	1.40	5.86	1.63	5.98	1.78	6.18	1.80	6.59	1.84	7.05	1.85
	48	4.13	1.13	5.37	1.41	5.51	1.64	5.63	1.76	5.79	1.78	6.11	1.82	6.48	1.83
7 + 18	20	4.30	0.73	5.60	0.92	6.58	1.06	7.33	1.17	7.58	1.18	8.08	1.20	8.64	1.21
	25	4.30	0.86	5.60	1.08	6.58	1.25	7.33	1.38	7.58	1.39	8.08	1.42	8.64	1.42

7. Capacity Tables

Combi.	Outdoor Air Temp. (°C, DB)	Indoor Air Temp. (°C, DB/WB)													
		20.0 / 14.0		23.0 / 16.0		26.0 / 18.0		27.0 / 19.0		28.0 / 20.0		30.0 / 22.0		32.0 / 24.0	
		TC	PI	TC	PI	TC	PI	TC	PI	TC	PI	TC	PI	TC	PI
7 + 18	32	4.30	1.05	5.60	1.31	6.58	1.52	7.33	1.67	7.58	1.69	8.08	1.72	8.64	1.73
	35	4.30	1.12	5.60	1.41	6.58	1.64	7.33	1.79	7.58	1.81	8.08	1.85	8.64	1.86
	40	4.30	1.14	5.60	1.43	6.58	1.66	6.96	1.82	7.20	1.84	7.67	1.87	8.21	1.89
	43	4.30	1.15	5.60	1.44	6.58	1.67	6.59	1.83	6.82	1.85	7.27	1.89	7.78	1.90
	46	4.30	1.16	5.60	1.46	6.10	1.69	6.23	1.85	6.44	1.87	6.86	1.91	7.35	1.92
	48	4.30	1.17	5.60	1.47	5.74	1.70	5.86	1.83	6.03	1.85	6.36	1.89	6.75	1.90
9 + 18	20	4.65	0.83	6.04	1.04	7.11	1.21	7.91	1.33	8.18	1.34	8.72	1.37	9.34	1.37
	25	4.65	0.98	6.04	1.23	7.11	1.43	7.91	1.57	8.18	1.58	8.72	1.61	9.34	1.62
	32	4.65	1.19	6.04	1.49	7.11	1.73	7.91	1.90	8.18	1.92	8.72	1.96	9.34	1.97
	35	4.65	1.28	6.04	1.61	7.11	1.86	7.91	2.04	8.18	2.06	8.72	2.10	9.34	2.12
	40	4.65	1.30	6.04	1.63	7.11	1.89	7.52	2.07	7.77	2.09	8.28	2.13	8.87	2.15
	43	4.65	1.31	6.04	1.64	7.11	1.90	7.12	2.09	7.36	2.11	7.85	2.15	8.40	2.16
	46	4.65	1.32	6.04	1.66	6.59	1.92	6.72	2.11	6.95	2.13	7.41	2.17	7.93	2.18
48	4.65	1.33	6.04	1.67	6.20	1.94	6.33	2.08	6.51	2.10	6.87	2.15	7.29	2.16	
12 + 18	20	5.16	1.00	6.71	1.25	7.89	1.45	8.79	1.59	9.09	1.61	9.69	1.64	10.37	1.65
	25	5.16	1.18	6.71	1.48	7.89	1.71	8.79	1.88	9.09	1.90	9.69	1.94	10.37	1.95
	32	5.16	1.43	6.71	1.80	7.89	2.08	8.79	2.28	9.09	2.30	9.69	2.35	10.37	2.36
	35	5.16	1.54	6.71	1.93	7.89	2.24	8.79	2.45	9.09	2.48	9.69	2.53	10.37	2.54
	40	5.16	1.56	6.71	1.96	7.89	2.27	8.35	2.49	8.64	2.51	9.21	2.56	9.85	2.58
	43	5.16	1.57	6.71	1.97	7.89	2.29	7.91	2.51	8.18	2.53	8.72	2.58	9.33	2.60
	46	5.16	1.59	6.71	1.99	7.32	2.31	7.47	2.53	7.73	2.56	8.24	2.61	8.82	2.62
48	5.16	1.60	6.71	2.01	6.89	2.32	7.03	2.50	7.23	2.53	7.63	2.58	8.10	2.59	
7 + 24	20	5.16	1.00	6.71	1.25	7.89	1.45	8.79	1.59	9.09	1.61	9.69	1.64	10.37	1.65
	25	5.16	1.18	6.71	1.48	7.89	1.71	8.79	1.88	9.09	1.90	9.69	1.93	10.37	1.95
	32	5.16	1.43	6.71	1.79	7.89	2.08	8.79	2.28	9.09	2.30	9.69	2.35	10.37	2.36
	35	5.16	1.54	6.71	1.93	7.89	2.23	8.79	2.45	9.09	2.47	9.69	2.52	10.37	2.54
	40	5.16	1.56	6.71	1.95	7.89	2.26	8.35	2.48	8.64	2.51	9.21	2.56	9.85	2.57
	43	5.16	1.57	6.71	1.97	7.89	2.28	7.91	2.50	8.18	2.53	8.72	2.58	9.33	2.59
	46	5.16	1.58	6.71	1.99	7.32	2.30	7.47	2.53	7.73	2.55	8.24	2.60	8.82	2.62
48	5.16	1.60	6.71	2.00	6.89	2.32	7.03	2.50	7.23	2.52	7.63	2.57	8.10	2.59	
9 + 24	20	5.16	0.99	6.71	1.25	7.89	1.45	8.79	1.59	9.09	1.60	9.69	1.63	10.37	1.64
	25	5.16	1.17	6.71	1.47	7.89	1.71	8.79	1.87	9.09	1.89	9.69	1.93	10.37	1.94
	32	5.16	1.42	6.71	1.79	7.89	2.07	8.79	2.27	9.09	2.29	9.69	2.34	10.37	2.35
	35	5.16	1.53	6.71	1.92	7.89	2.23	8.79	2.44	9.09	2.47	9.69	2.52	10.37	2.53
	40	5.16	1.55	6.71	1.95	7.89	2.26	8.35	2.48	8.64	2.50	9.21	2.55	9.85	2.57
	43	5.16	1.57	6.71	1.96	7.89	2.28	7.91	2.50	8.18	2.52	8.72	2.57	9.33	2.59
	46	5.16	1.58	6.71	1.98	7.32	2.30	7.47	2.52	7.73	2.54	8.24	2.59	8.82	2.61
48	5.16	1.59	6.71	2.00	6.89	2.31	7.03	2.49	7.23	2.52	7.63	2.57	8.10	2.58	
18 + 18	20	5.16	0.96	6.71	1.20	7.89	1.40	8.79	1.53	9.09	1.55	9.69	1.58	10.37	1.59
	25	5.16	1.13	6.71	1.42	7.89	1.65	8.79	1.81	9.09	1.83	9.69	1.86	10.37	1.87
	32	5.16	1.37	6.71	1.72	7.89	2.00	8.79	2.19	9.09	2.21	9.69	2.26	10.37	2.27
	35	5.16	1.48	6.71	1.85	7.89	2.15	8.79	2.36	9.09	2.38	9.69	2.43	10.37	2.44
	40	5.16	1.50	6.71	1.88	7.89	2.18	8.35	2.39	8.64	2.41	9.21	2.46	9.85	2.48
	43	5.16	1.51	6.71	1.90	7.89	2.20	7.91	2.41	8.18	2.43	8.72	2.48	9.33	2.50
	46	5.16	1.52	6.71	1.91	7.32	2.21	7.47	2.43	7.73	2.45	8.24	2.50	8.82	2.52
48	5.16	1.54	6.71	1.93	6.89	2.23	7.03	2.40	7.23	2.43	7.63	2.48	8.10	2.49	
12 + 24	20	5.16	0.99	6.71	1.24	7.89	1.44	8.79	1.58	9.09	1.60	9.69	1.63	10.37	1.64
	25	5.16	1.17	6.71	1.47	7.89	1.70	8.79	1.86	9.09	1.88	9.69	1.92	10.37	1.93
	32	5.16	1.42	6.71	1.78	7.89	2.06	8.79	2.26	9.09	2.28	9.69	2.33	10.37	2.34
	35	5.16	1.52	6.71	1.91	7.89	2.22	8.79	2.43	9.09	2.45	9.69	2.50	10.37	2.52
	40	5.16	1.55	6.71	1.94	7.89	2.25	8.35	2.47	8.64	2.49	9.21	2.54	9.85	2.55

7. Capacity Tables

Combi.	Outdoor Air Temp. (°C, DB)	Indoor Air Temp. (°C, DB/WB)													
		20.0 / 14.0		23.0 / 16.0		26.0 / 18.0		27.0 / 19.0		28.0 / 20.0		30.0 / 22.0		32.0 / 24.0	
		TC	PI	TC	PI	TC	PI	TC	PI	TC	PI	TC	PI	TC	PI
12 + 24	43	5.16	1.56	6.71	1.96	7.89	2.27	7.91	2.49	8.18	2.51	8.72	2.56	9.33	2.58
	46	5.16	1.57	6.71	1.97	7.32	2.28	7.47	2.51	7.73	2.53	8.24	2.58	8.82	2.60
	48	5.16	1.58	6.71	1.99	6.89	2.30	7.03	2.48	7.23	2.50	7.63	2.55	8.10	2.57
18 + 24	20	5.16	0.95	6.71	1.19	7.89	1.38	8.79	1.52	9.09	1.53	9.69	1.56	10.37	1.57
	25	5.16	1.12	6.71	1.41	7.89	1.63	8.79	1.79	9.09	1.81	9.69	1.84	10.37	1.85
	32	5.16	1.36	6.71	1.71	7.89	1.98	8.79	2.17	9.09	2.19	9.69	2.24	10.37	2.25
	35	5.16	1.46	6.71	1.84	7.89	2.13	8.79	2.34	9.09	2.36	9.69	2.41	10.37	2.42
	40	5.16	1.48	6.71	1.86	7.89	2.16	8.35	2.37	8.64	2.39	9.21	2.44	9.85	2.45
	43	5.16	1.50	6.71	1.88	7.89	2.18	7.91	2.39	8.18	2.41	8.72	2.46	9.33	2.47
	46	5.16	1.51	6.71	1.89	7.32	2.19	7.47	2.41	7.73	2.43	8.24	2.48	8.82	2.49
24 + 24	20	5.16	0.94	6.71	1.18	7.89	1.37	8.79	1.50	9.09	1.52	9.69	1.55	10.37	1.56
	25	5.16	1.11	6.71	1.40	7.89	1.62	8.79	1.77	9.09	1.79	9.69	1.83	10.37	1.84
	32	5.16	1.35	6.71	1.69	7.89	1.96	8.79	2.15	9.09	2.17	9.69	2.22	10.37	2.23
	35	5.16	1.45	6.71	1.82	7.89	2.11	8.79	2.31	9.09	2.33	9.69	2.38	10.37	2.40
	40	5.16	1.47	6.71	1.85	7.89	2.14	8.35	2.35	8.64	2.37	9.21	2.42	9.85	2.43
	43	5.16	1.48	6.71	1.86	7.89	2.16	7.91	2.37	8.18	2.39	8.72	2.44	9.33	2.45
	46	5.16	1.50	6.71	1.88	7.32	2.17	7.47	2.39	7.73	2.41	8.24	2.46	8.82	2.47
7 + 7 + 7	20	3.61	0.56	4.70	0.71	5.53	0.82	6.15	0.90	6.36	0.91	6.78	0.93	7.26	0.93
	25	3.61	0.66	4.70	0.83	5.53	0.97	6.15	1.06	6.36	1.07	6.78	1.09	7.26	1.10
	32	3.61	0.81	4.70	1.01	5.53	1.17	6.15	1.29	6.36	1.30	6.78	1.33	7.26	1.33
	35	3.61	0.87	4.70	1.09	5.53	1.26	6.15	1.38	6.36	1.40	6.78	1.43	7.26	1.43
	40	3.61	0.88	4.70	1.10	5.53	1.28	5.85	1.40	6.05	1.42	6.44	1.45	6.90	1.45
	43	3.61	0.89	4.70	1.11	5.53	1.29	5.54	1.42	5.73	1.43	6.10	1.46	6.53	1.47
	46	3.61	0.89	4.70	1.12	5.13	1.30	5.23	1.43	5.41	1.44	5.76	1.47	6.17	1.48
7 + 7 + 9	20	3.96	0.64	5.15	0.81	6.05	0.93	6.74	1.02	6.97	1.03	7.43	1.05	7.95	1.06
	25	3.96	0.76	5.15	0.95	6.05	1.10	6.74	1.21	6.97	1.22	7.43	1.24	7.95	1.25
	32	3.96	0.92	5.15	1.15	6.05	1.34	6.74	1.47	6.97	1.48	7.43	1.51	7.95	1.52
	35	3.96	0.99	5.15	1.24	6.05	1.44	6.74	1.58	6.97	1.59	7.43	1.62	7.95	1.63
	40	3.96	1.00	5.15	1.26	6.05	1.46	6.40	1.60	6.62	1.62	7.06	1.65	7.55	1.66
	43	3.96	1.01	5.15	1.27	6.05	1.47	6.07	1.61	6.28	1.63	6.69	1.66	7.16	1.67
	46	3.96	1.02	5.15	1.28	5.61	1.48	5.73	1.62	5.92	1.64	6.31	1.67	6.76	1.68
7 + 9 + 9	20	4.30	0.72	5.60	0.91	6.58	1.05	7.33	1.16	7.58	1.17	8.08	1.19	8.64	1.20
	25	4.30	0.85	5.60	1.07	6.58	1.24	7.33	1.36	7.58	1.37	8.08	1.40	8.64	1.41
	32	4.30	1.04	5.60	1.30	6.58	1.51	7.33	1.65	7.58	1.67	8.08	1.70	8.64	1.71
	35	4.30	1.12	5.60	1.40	6.58	1.62	7.33	1.78	7.58	1.80	8.08	1.83	8.64	1.84
	40	4.30	1.13	5.60	1.42	6.58	1.65	6.96	1.80	7.20	1.82	7.67	1.86	8.21	1.87
	43	4.30	1.14	5.60	1.43	6.58	1.66	6.59	1.82	6.82	1.84	7.27	1.87	7.78	1.89
	46	4.30	1.15	5.60	1.44	6.10	1.67	6.23	1.83	6.44	1.85	6.86	1.89	7.35	1.90
7 + 7 + 12	20	4.47	0.77	5.82	0.96	6.84	1.12	7.62	1.23	7.88	1.24	8.40	1.26	8.99	1.27
	25	4.47	0.91	5.82	1.14	6.84	1.32	7.62	1.45	7.88	1.46	8.40	1.49	8.99	1.50
	32	4.47	1.10	5.82	1.38	6.84	1.60	7.62	1.75	7.88	1.77	8.40	1.81	8.99	1.82
	35	4.47	1.18	5.82	1.48	6.84	1.72	7.62	1.89	7.88	1.91	8.40	1.94	8.99	1.95
	40	4.47	1.20	5.82	1.51	6.84	1.74	7.24	1.91	7.49	1.93	7.98	1.97	8.54	1.98
	43	4.47	1.21	5.82	1.52	6.84	1.76	6.86	1.93	7.09	1.95	7.56	1.99	8.09	2.00
	46	4.47	1.22	5.82	1.53	6.35	1.77	6.48	1.94	6.70	1.96	7.14	2.00	7.64	2.02
48	4.47	1.23	5.82	1.54	5.97	1.79	6.10	1.92	6.27	1.94	6.62	1.98	7.02	1.99	

7. Capacity Tables

Combi.	Outdoor Air Temp. (°C, DB)	Indoor Air Temp. (°C, DB/WB)													
		20.0 / 14.0		23.0 / 16.0		26.0 / 18.0		27.0 / 19.0		28.0 / 20.0		30.0 / 22.0		32.0 / 24.0	
		TC	PI	TC	PI	TC	PI	TC	PI	TC	PI	TC	PI	TC	PI
9 + 9 + 9	20	4.65	0.81	6.04	1.02	7.11	1.18	7.91	1.30	8.18	1.31	8.72	1.34	9.34	1.34
	25	4.65	0.96	6.04	1.20	7.11	1.40	7.91	1.53	8.18	1.55	8.72	1.58	9.34	1.59
	32	4.65	1.16	6.04	1.46	7.11	1.69	7.91	1.86	8.18	1.88	8.72	1.91	9.34	1.92
	35	4.65	1.25	6.04	1.57	7.11	1.82	7.91	2.00	8.18	2.02	8.72	2.06	9.34	2.07
	40	4.65	1.27	6.04	1.59	7.11	1.85	7.52	2.03	7.77	2.05	8.28	2.09	8.87	2.10
	43	4.65	1.28	6.04	1.61	7.11	1.86	7.12	2.04	7.36	2.06	7.85	2.10	8.40	2.12
	46	4.65	1.29	6.04	1.62	6.59	1.88	6.72	2.06	6.95	2.08	7.41	2.12	7.93	2.13
7 + 9 + 12	20	4.82	0.86	6.27	1.08	7.37	1.25	8.21	1.37	8.49	1.38	9.04	1.41	9.68	1.42
	25	4.82	1.01	6.27	1.27	7.37	1.48	8.21	1.62	8.49	1.64	9.04	1.67	9.68	1.68
	32	4.82	1.23	6.27	1.55	7.37	1.79	8.21	1.96	8.49	1.98	9.04	2.02	9.68	2.04
	35	4.82	1.32	6.27	1.66	7.37	1.93	8.21	2.11	8.49	2.13	9.04	2.18	9.68	2.19
	40	4.82	1.34	6.27	1.69	7.37	1.95	7.80	2.14	8.06	2.16	8.59	2.21	9.20	2.22
	43	4.82	1.35	6.27	1.70	7.37	1.97	7.38	2.16	7.63	2.18	8.14	2.22	8.71	2.24
	46	4.82	1.36	6.27	1.71	6.83	1.98	6.97	2.18	7.21	2.20	7.69	2.24	8.23	2.26
9 + 9 + 12	20	5.16	0.95	6.71	1.20	7.89	1.39	8.79	1.52	9.09	1.54	9.69	1.57	10.37	1.58
	25	5.16	1.13	6.71	1.41	7.89	1.64	8.79	1.80	9.09	1.82	9.69	1.85	10.37	1.86
	32	5.16	1.37	6.71	1.72	7.89	1.99	8.79	2.18	9.09	2.20	9.69	2.25	10.37	2.26
	35	5.16	1.47	6.71	1.85	7.89	2.14	8.79	2.34	9.09	2.37	9.69	2.42	10.37	2.43
	40	5.16	1.49	6.71	1.87	7.89	2.17	8.35	2.38	8.64	2.40	9.21	2.45	9.85	2.46
	43	5.16	1.50	6.71	1.89	7.89	2.19	7.91	2.40	8.18	2.42	8.72	2.47	9.33	2.48
	46	5.16	1.52	6.71	1.90	7.32	2.20	7.47	2.42	7.73	2.44	8.24	2.49	8.82	2.50
7 + 12 + 12	20	5.16	0.95	6.71	1.20	7.89	1.39	8.79	1.52	9.09	1.54	9.69	1.57	10.37	1.58
	25	5.16	1.13	6.71	1.41	7.89	1.64	8.79	1.80	9.09	1.82	9.69	1.85	10.37	1.86
	32	5.16	1.37	6.71	1.72	7.89	1.99	8.79	2.18	9.09	2.20	9.69	2.25	10.37	2.26
	35	5.16	1.47	6.71	1.84	7.89	2.14	8.79	2.34	9.09	2.36	9.69	2.41	10.37	2.43
	40	5.16	1.49	6.71	1.87	7.89	2.17	8.35	2.38	8.64	2.40	9.21	2.45	9.85	2.46
	43	5.16	1.50	6.71	1.89	7.89	2.18	7.91	2.40	8.18	2.42	8.72	2.47	9.33	2.48
	46	5.16	1.51	6.71	1.90	7.32	2.20	7.47	2.42	7.73	2.44	8.24	2.49	8.82	2.50
7 + 7 + 18	20	5.16	0.94	6.71	1.17	7.89	1.36	8.79	1.49	9.09	1.51	9.69	1.54	10.37	1.55
	25	5.16	1.10	6.71	1.39	7.89	1.61	8.79	1.76	9.09	1.78	9.69	1.81	10.37	1.83
	32	5.16	1.34	6.71	1.68	7.89	1.95	8.79	2.14	9.09	2.16	9.69	2.20	10.37	2.21
	35	5.16	1.44	6.71	1.81	7.89	2.10	8.79	2.30	9.09	2.32	9.69	2.37	10.37	2.38
	40	5.16	1.46	6.71	1.83	7.89	2.12	8.35	2.33	8.64	2.35	9.21	2.40	9.85	2.41
	43	5.16	1.47	6.71	1.85	7.89	2.14	7.91	2.35	8.18	2.37	8.72	2.42	9.33	2.43
	46	5.16	1.49	6.71	1.86	7.32	2.16	7.47	2.37	7.73	2.39	8.24	2.44	8.82	2.45
9 + 12 + 12	20	5.16	0.95	6.71	1.20	7.89	1.39	8.79	1.52	9.09	1.54	9.69	1.57	10.37	1.58
	25	5.16	1.13	6.71	1.41	7.89	1.64	8.79	1.79	9.09	1.81	9.69	1.85	10.37	1.86
	32	5.16	1.37	6.71	1.71	7.89	1.99	8.79	2.18	9.09	2.20	9.69	2.24	10.37	2.26
	35	5.16	1.47	6.71	1.84	7.89	2.14	8.79	2.34	9.09	2.36	9.69	2.41	10.37	2.43
	40	5.16	1.49	6.71	1.87	7.89	2.17	8.35	2.37	8.64	2.40	9.21	2.45	9.85	2.46
	43	5.16	1.50	6.71	1.88	7.89	2.18	7.91	2.39	8.18	2.42	8.72	2.47	9.33	2.48
	46	5.16	1.51	6.71	1.90	7.32	2.20	7.47	2.41	7.73	2.44	8.24	2.49	8.82	2.50
7 + 9 + 18	20	5.16	0.93	6.71	1.17	7.89	1.36	8.79	1.49	9.09	1.50	9.69	1.53	10.37	1.54
	25	5.16	1.10	6.71	1.38	7.89	1.60	8.79	1.76	9.09	1.78	9.69	1.81	10.37	1.82
	32	5.16	1.34	6.71	1.68	7.89	1.94	8.79	2.13	9.09	2.15	9.69	2.20	10.37	2.21

7. Capacity Tables

Combi.	Outdoor Air Temp. (°C, DB)	Indoor Air Temp. (°C, DB/WB)													
		20.0 / 14.0		23.0 / 16.0		26.0 / 18.0		27.0 / 19.0		28.0 / 20.0		30.0 / 22.0		32.0 / 24.0	
		TC	PI	TC	PI	TC	PI	TC	PI	TC	PI	TC	PI	TC	PI
7 + 9 + 18	35	5.16	1.44	6.71	1.80	7.89	2.09	8.79	2.29	9.09	2.31	9.69	2.36	10.37	2.37
	40	5.16	1.46	6.71	1.83	7.89	2.12	8.35	2.32	8.64	2.34	9.21	2.39	9.85	2.41
	43	5.16	1.47	6.71	1.84	7.89	2.14	7.91	2.34	8.18	2.36	8.72	2.41	9.33	2.43
	46	5.16	1.48	6.71	1.86	7.32	2.15	7.47	2.36	7.73	2.38	8.24	2.43	8.82	2.45
	48	5.16	1.49	6.71	1.87	6.89	2.17	7.03	2.34	7.23	2.36	7.63	2.41	8.10	2.42
9 + 9 + 18	20	5.16	0.93	6.71	1.17	7.89	1.35	8.79	1.48	9.09	1.50	9.69	1.53	10.37	1.54
	25	5.16	1.10	6.71	1.38	7.89	1.60	8.79	1.75	9.09	1.77	9.69	1.80	10.37	1.81
	32	5.16	1.33	6.71	1.67	7.89	1.94	8.79	2.12	9.09	2.14	9.69	2.19	10.37	2.20
	35	5.16	1.43	6.71	1.80	7.89	2.08	8.79	2.28	9.09	2.30	9.69	2.35	10.37	2.37
	40	5.16	1.45	6.71	1.82	7.89	2.11	8.35	2.32	8.64	2.34	9.21	2.39	9.85	2.40
	43	5.16	1.46	6.71	1.84	7.89	2.13	7.91	2.34	8.18	2.36	8.72	2.41	9.33	2.42
	46	5.16	1.48	6.71	1.85	7.32	2.15	7.47	2.36	7.73	2.38	8.24	2.43	8.82	2.44
12 + 12 + 1 ²	20	5.16	0.95	6.71	1.19	7.89	1.38	8.79	1.51	9.09	1.53	9.69	1.56	10.37	1.57
	25	5.16	1.12	6.71	1.41	7.89	1.63	8.79	1.79	9.09	1.81	9.69	1.84	10.37	1.85
	32	5.16	1.36	6.71	1.71	7.89	1.98	8.79	2.17	9.09	2.19	9.69	2.23	10.37	2.25
	35	5.16	1.46	6.71	1.83	7.89	2.13	8.79	2.33	9.09	2.35	9.69	2.40	10.37	2.42
	40	5.16	1.48	6.71	1.86	7.89	2.16	8.35	2.36	8.64	2.39	9.21	2.44	9.85	2.45
	43	5.16	1.49	6.71	1.88	7.89	2.17	7.91	2.38	8.18	2.41	8.72	2.46	9.33	2.47
	46	5.16	1.51	6.71	1.89	7.32	2.19	7.47	2.40	7.73	2.43	8.24	2.48	8.82	2.49
7 + 12 + 18	20	5.16	0.93	6.71	1.17	7.89	1.35	8.79	1.48	9.09	1.50	9.69	1.53	10.37	1.54
	25	5.16	1.10	6.71	1.38	7.89	1.59	8.79	1.75	9.09	1.77	9.69	1.80	10.37	1.81
	32	5.16	1.33	6.71	1.67	7.89	1.93	8.79	2.12	9.09	2.14	9.69	2.19	10.37	2.20
	35	5.16	1.43	6.71	1.80	7.89	2.08	8.79	2.28	9.09	2.30	9.69	2.35	10.37	2.36
	40	5.16	1.45	6.71	1.82	7.89	2.11	8.35	2.31	8.64	2.33	9.21	2.38	9.85	2.40
	43	5.16	1.46	6.71	1.84	7.89	2.13	7.91	2.33	8.18	2.35	8.72	2.40	9.33	2.42
	46	5.16	1.47	6.71	1.85	7.32	2.14	7.47	2.35	7.73	2.37	8.24	2.42	8.82	2.44
7 + 7 + 24	20	5.16	0.93	6.71	1.16	7.89	1.35	8.79	1.48	9.09	1.49	9.69	1.52	10.37	1.53
	25	5.16	1.09	6.71	1.37	7.89	1.59	8.79	1.75	9.09	1.77	9.69	1.80	10.37	1.81
	32	5.16	1.33	6.71	1.67	7.89	1.93	8.79	2.12	9.09	2.14	9.69	2.18	10.37	2.19
	35	5.16	1.43	6.71	1.79	7.89	2.08	8.79	2.28	9.09	2.30	9.69	2.35	10.37	2.36
	40	5.16	1.45	6.71	1.82	7.89	2.11	8.35	2.31	8.64	2.33	9.21	2.38	9.85	2.39
	43	5.16	1.46	6.71	1.83	7.89	2.12	7.91	2.33	8.18	2.35	8.72	2.40	9.33	2.41
	46	5.16	1.47	6.71	1.85	7.32	2.14	7.47	2.35	7.73	2.37	8.24	2.42	8.82	2.43
9 + 12 + 18	20	5.16	0.93	6.71	1.16	7.89	1.35	8.79	1.48	9.09	1.49	9.69	1.52	10.37	1.53
	25	5.16	1.09	6.71	1.37	7.89	1.59	8.79	1.74	9.09	1.76	9.69	1.80	10.37	1.81
	32	5.16	1.33	6.71	1.66	7.89	1.93	8.79	2.12	9.09	2.14	9.69	2.18	10.37	2.19
	35	5.16	1.43	6.71	1.79	7.89	2.07	8.79	2.27	9.09	2.29	9.69	2.34	10.37	2.36
	40	5.16	1.45	6.71	1.81	7.89	2.10	8.35	2.31	8.64	2.33	9.21	2.38	9.85	2.39
	43	5.16	1.46	6.71	1.83	7.89	2.12	7.91	2.33	8.18	2.35	8.72	2.40	9.33	2.41
	46	5.16	1.47	6.71	1.84	7.32	2.14	7.47	2.34	7.73	2.37	8.24	2.42	8.82	2.43
7 + 9 + 24	20	5.16	0.92	6.71	1.16	7.89	1.34	8.79	1.48	9.09	1.49	9.69	1.52	10.37	1.53
	25	5.16	1.09	6.71	1.37	7.89	1.59	8.79	1.74	9.09	1.76	9.69	1.79	10.37	1.80
	32	5.16	1.32	6.71	1.66	7.89	1.93	8.79	2.11	9.09	2.13	9.69	2.18	10.37	2.19
	35	5.16	1.42	6.71	1.79	7.89	2.07	8.79	2.27	9.09	2.29	9.69	2.34	10.37	2.35
	40	5.16	1.44	6.71	1.81	7.89	2.10	8.35	2.30	8.64	2.32	9.21	2.37	9.85	2.39
	43	5.16	1.46	6.71	1.83	7.89	2.12	7.91	2.32	8.18	2.34	8.72	2.39	9.33	2.41

7. Capacity Tables

Combi.	Outdoor Air Temp. (°C, DB)	Indoor Air Temp. (°C, DB/WB)													
		20.0 / 14.0		23.0 / 16.0		26.0 / 18.0		27.0 / 19.0		28.0 / 20.0		30.0 / 22.0		32.0 / 24.0	
		TC	PI	TC	PI	TC	PI	TC	PI	TC	PI	TC	PI	TC	PI
7 + 9 + 24	46	5.16	1.47	6.71	1.84	7.32	2.13	7.47	2.34	7.73	2.36	8.24	2.41	8.82	2.43
	48	5.16	1.48	6.71	1.86	6.89	2.15	7.03	2.32	7.23	2.34	7.63	2.39	8.10	2.40
9 + 9 + 24	20	5.16	0.92	6.71	1.16	7.89	1.34	8.79	1.47	9.09	1.49	9.69	1.52	10.37	1.52
	25	5.16	1.09	6.71	1.37	7.89	1.58	8.79	1.74	9.09	1.76	9.69	1.79	10.37	1.80
	32	5.16	1.32	6.71	1.66	7.89	1.92	8.79	2.11	9.09	2.13	9.69	2.17	10.37	2.18
	35	5.16	1.42	6.71	1.78	7.89	2.06	8.79	2.26	9.09	2.28	9.69	2.33	10.37	2.35
	40	5.16	1.44	6.71	1.81	7.89	2.09	8.35	2.30	8.64	2.32	9.21	2.37	9.85	2.38
	43	5.16	1.45	6.71	1.82	7.89	2.11	7.91	2.32	8.18	2.34	8.72	2.38	9.33	2.40
	46	5.16	1.46	6.71	1.84	7.32	2.13	7.47	2.33	7.73	2.35	8.24	2.40	8.82	2.42
	48	5.16	1.48	6.71	1.85	6.89	2.15	7.03	2.31	7.23	2.33	7.63	2.38	8.10	2.39
12 + 12 + 18	20	5.16	0.92	6.71	1.16	7.89	1.34	8.79	1.47	9.09	1.49	9.69	1.52	10.37	1.52
	25	5.16	1.09	6.71	1.37	7.89	1.58	8.79	1.74	9.09	1.76	9.69	1.79	10.37	1.80
	32	5.16	1.32	6.71	1.66	7.89	1.92	8.79	2.11	9.09	2.13	9.69	2.17	10.37	2.18
	35	5.16	1.42	6.71	1.78	7.89	2.06	8.79	2.26	9.09	2.28	9.69	2.33	10.37	2.35
	40	5.16	1.44	6.71	1.81	7.89	2.09	8.35	2.30	8.64	2.32	9.21	2.37	9.85	2.38
	43	5.16	1.45	6.71	1.82	7.89	2.11	7.91	2.32	8.18	2.34	8.72	2.38	9.33	2.40
	46	5.16	1.46	6.71	1.84	7.32	2.13	7.47	2.33	7.73	2.35	8.24	2.40	8.82	2.42
	48	5.16	1.48	6.71	1.85	6.89	2.15	7.03	2.31	7.23	2.33	7.63	2.38	8.10	2.39
7 + 12 + 24	20	5.16	0.92	6.71	1.16	7.89	1.34	8.79	1.47	9.09	1.48	9.69	1.51	10.37	1.52
	25	5.16	1.09	6.71	1.36	7.89	1.58	8.79	1.73	9.09	1.75	9.69	1.78	10.37	1.80
	32	5.16	1.32	6.71	1.65	7.89	1.92	8.79	2.10	9.09	2.12	9.69	2.17	10.37	2.18
	35	5.16	1.42	6.71	1.78	7.89	2.06	8.79	2.26	9.09	2.28	9.69	2.33	10.37	2.34
	40	5.16	1.44	6.71	1.80	7.89	2.09	8.35	2.29	8.64	2.31	9.21	2.36	9.85	2.38
	43	5.16	1.45	6.71	1.82	7.89	2.11	7.91	2.31	8.18	2.33	8.72	2.38	9.33	2.39
	46	5.16	1.46	6.71	1.83	7.32	2.12	7.47	2.33	7.73	2.35	8.24	2.40	8.82	2.41
	48	5.16	1.47	6.71	1.85	6.89	2.14	7.03	2.31	7.23	2.33	7.63	2.38	8.10	2.39
7 + 18 + 18	20	5.16	0.90	6.71	1.13	7.89	1.31	8.79	1.44	9.09	1.45	9.69	1.48	10.37	1.49
	25	5.16	1.06	6.71	1.34	7.89	1.55	8.79	1.70	9.09	1.72	9.69	1.75	10.37	1.76
	32	5.16	1.29	6.71	1.62	7.89	1.88	8.79	2.06	9.09	2.08	9.69	2.12	10.37	2.13
	35	5.16	1.39	6.71	1.74	7.89	2.02	8.79	2.21	9.09	2.23	9.69	2.28	10.37	2.29
	40	5.16	1.41	6.71	1.77	7.89	2.05	8.35	2.25	8.64	2.27	9.21	2.31	9.85	2.33
	43	5.16	1.42	6.71	1.78	7.89	2.06	7.91	2.26	8.18	2.28	8.72	2.33	9.33	2.35
	46	5.16	1.43	6.71	1.80	7.32	2.08	7.47	2.28	7.73	2.30	8.24	2.35	8.82	2.37
	48	5.16	1.44	6.71	1.81	6.89	2.10	7.03	2.26	7.23	2.28	7.63	2.33	8.10	2.34
9 + 12 + 24	20	5.16	0.92	6.71	1.15	7.89	1.33	8.79	1.46	9.09	1.48	9.69	1.51	10.37	1.52
	25	5.16	1.08	6.71	1.36	7.89	1.57	8.79	1.73	9.09	1.75	9.69	1.78	10.37	1.79
	32	5.16	1.31	6.71	1.65	7.89	1.91	8.79	2.10	9.09	2.12	9.69	2.16	10.37	2.17
	35	5.16	1.41	6.71	1.77	7.89	2.06	8.79	2.25	9.09	2.27	9.69	2.32	10.37	2.34
	40	5.16	1.43	6.71	1.80	7.89	2.08	8.35	2.29	8.64	2.31	9.21	2.35	9.85	2.37
	43	5.16	1.44	6.71	1.81	7.89	2.10	7.91	2.30	8.18	2.32	8.72	2.37	9.33	2.39
	46	5.16	1.46	6.71	1.83	7.32	2.12	7.47	2.32	7.73	2.34	8.24	2.39	8.82	2.41
	48	5.16	1.47	6.71	1.84	6.89	2.14	7.03	2.30	7.23	2.32	7.63	2.37	8.10	2.38
9 + 18 + 18	20	5.16	0.90	6.71	1.13	7.89	1.31	8.79	1.43	9.09	1.45	9.69	1.48	10.37	1.49
	25	5.16	1.06	6.71	1.33	7.89	1.54	8.79	1.69	9.09	1.71	9.69	1.74	10.37	1.75
	32	5.16	1.29	6.71	1.62	7.89	1.87	8.79	2.05	9.09	2.07	9.69	2.12	10.37	2.13
	35	5.16	1.38	6.71	1.74	7.89	2.01	8.79	2.21	9.09	2.23	9.69	2.27	10.37	2.29
	40	5.16	1.40	6.71	1.76	7.89	2.04	8.35	2.24	8.64	2.26	9.21	2.31	9.85	2.32
	43	5.16	1.42	6.71	1.78	7.89	2.06	7.91	2.26	8.18	2.28	8.72	2.33	9.33	2.34
	46	5.16	1.43	6.71	1.79	7.32	2.08	7.47	2.28	7.73	2.30	8.24	2.34	8.82	2.36
	48	5.16	1.44	6.71	1.81	6.89	2.09	7.03	2.25	7.23	2.27	7.63	2.32	8.10	2.33
12 + 12 + 24	20	5.16	0.91	6.71	1.15	7.89	1.33	8.79	1.46	9.09	1.47	9.69	1.50	10.37	1.51

7. Capacity Tables

Combi.	Outdoor Air Temp. (°C, DB)	Indoor Air Temp. (°C, DB/WB)													
		20.0 / 14.0		23.0 / 16.0		26.0 / 18.0		27.0 / 19.0		28.0 / 20.0		30.0 / 22.0		32.0 / 24.0	
		TC	PI	TC	PI	TC	PI	TC	PI	TC	PI	TC	PI	TC	PI
12 + 12 + 2 4	25	5.16	1.08	6.71	1.35	7.89	1.57	8.79	1.72	9.09	1.74	9.69	1.77	10.37	1.78
	32	5.16	1.31	6.71	1.64	7.89	1.90	8.79	2.09	9.09	2.11	9.69	2.15	10.37	2.16
	35	5.16	1.41	6.71	1.77	7.89	2.05	8.79	2.24	9.09	2.26	9.69	2.31	10.37	2.33
	40	5.16	1.43	6.71	1.79	7.89	2.07	8.35	2.28	8.64	2.30	9.21	2.34	9.85	2.36
	43	5.16	1.44	6.71	1.81	7.89	2.09	7.91	2.29	8.18	2.31	8.72	2.36	9.33	2.38
	46	5.16	1.45	6.71	1.82	7.32	2.11	7.47	2.31	7.73	2.33	8.24	2.38	8.82	2.40
	48	5.16	1.46	6.71	1.84	6.89	2.13	7.03	2.29	7.23	2.31	7.63	2.36	8.10	2.37
12 + 18 + 1 8	20	5.16	0.89	6.71	1.12	7.89	1.30	8.79	1.43	9.09	1.44	9.69	1.47	10.37	1.48
	25	5.16	1.06	6.71	1.33	7.89	1.54	8.79	1.68	9.09	1.70	9.69	1.74	10.37	1.75
	32	5.16	1.28	6.71	1.61	7.89	1.86	8.79	2.04	9.09	2.06	9.69	2.11	10.37	2.12
	35	5.16	1.38	6.71	1.73	7.89	2.00	8.79	2.20	9.09	2.22	9.69	2.26	10.37	2.28
	40	5.16	1.40	6.71	1.75	7.89	2.03	8.35	2.23	8.64	2.25	9.21	2.30	9.85	2.31
	43	5.16	1.41	6.71	1.77	7.89	2.05	7.91	2.25	8.18	2.27	8.72	2.32	9.33	2.33
	46	5.16	1.42	6.71	1.78	7.32	2.07	7.47	2.27	7.73	2.29	8.24	2.33	8.82	2.35
7 + 18 + 24	20	5.16	0.89	6.71	1.12	7.89	1.30	8.79	1.43	9.09	1.44	9.69	1.47	10.37	1.48
	25	5.16	1.05	6.71	1.32	7.89	1.53	8.79	1.68	9.09	1.70	9.69	1.73	10.37	1.74
	32	5.16	1.28	6.71	1.61	7.89	1.86	8.79	2.04	9.09	2.06	9.69	2.10	10.37	2.11
	35	5.16	1.38	6.71	1.73	7.89	2.00	8.79	2.20	9.09	2.22	9.69	2.26	10.37	2.27
	40	5.16	1.40	6.71	1.75	7.89	2.03	8.35	2.23	8.64	2.25	9.21	2.29	9.85	2.31
	43	5.16	1.41	6.71	1.77	7.89	2.05	7.91	2.24	8.18	2.26	8.72	2.31	9.33	2.33
	46	5.16	1.42	6.71	1.78	7.32	2.06	7.47	2.26	7.73	2.28	8.24	2.33	8.82	2.34
9 + 18 + 24	20	5.16	0.89	6.71	1.12	7.89	1.30	8.79	1.42	9.09	1.43	9.69	1.46	10.37	1.47
	25	5.16	1.05	6.71	1.32	7.89	1.53	8.79	1.68	9.09	1.70	9.69	1.73	10.37	1.74
	32	5.16	1.28	6.71	1.60	7.89	1.86	8.79	2.04	9.09	2.06	9.69	2.10	10.37	2.11
	35	5.16	1.37	6.71	1.72	7.89	2.00	8.79	2.19	9.09	2.21	9.69	2.25	10.37	2.27
	40	5.16	1.39	6.71	1.75	7.89	2.02	8.35	2.22	8.64	2.24	9.21	2.29	9.85	2.30
	43	5.16	1.40	6.71	1.76	7.89	2.04	7.91	2.24	8.18	2.26	8.72	2.30	9.33	2.32
	46	5.16	1.41	6.71	1.78	7.32	2.06	7.47	2.26	7.73	2.28	8.24	2.32	8.82	2.34
7 + 7 + 7 + 7	20	4.82	0.84	6.27	1.05	7.37	1.22	8.21	1.33	8.49	1.35	9.04	1.38	9.68	1.38
	25	4.82	0.99	6.27	1.24	7.37	1.44	8.21	1.57	8.49	1.59	9.04	1.62	9.68	1.63
	32	4.82	1.20	6.27	1.50	7.37	1.74	8.21	1.91	8.49	1.93	9.04	1.97	9.68	1.98
	35	4.82	1.29	6.27	1.62	7.37	1.87	8.21	2.06	8.49	2.08	9.04	2.12	9.68	2.13
	40	4.82	1.31	6.27	1.64	7.37	1.90	7.80	2.08	8.06	2.10	8.59	2.15	9.20	2.16
	43	4.82	1.32	6.27	1.65	7.37	1.92	7.38	2.10	7.63	2.12	8.14	2.16	8.71	2.18
	46	4.82	1.33	6.27	1.67	6.83	1.93	6.97	2.12	7.21	2.14	7.69	2.18	8.23	2.19
7 + 7 + 7 + 9	20	5.16	0.93	6.71	1.17	7.89	1.35	8.79	1.48	9.09	1.50	9.69	1.53	10.37	1.54
	25	5.16	1.10	6.71	1.38	7.89	1.60	8.79	1.75	9.09	1.77	9.69	1.80	10.37	1.81
	32	5.16	1.33	6.71	1.67	7.89	1.94	8.79	2.12	9.09	2.14	9.69	2.19	10.37	2.20
	35	5.16	1.43	6.71	1.80	7.89	2.08	8.79	2.28	9.09	2.30	9.69	2.35	10.37	2.37
	40	5.16	1.45	6.71	1.82	7.89	2.11	8.35	2.32	8.64	2.34	9.21	2.39	9.85	2.40
	43	5.16	1.46	6.71	1.84	7.89	2.13	7.91	2.33	8.18	2.36	8.72	2.41	9.33	2.42
	46	5.16	1.48	6.71	1.85	7.32	2.15	7.47	2.35	7.73	2.37	8.24	2.42	8.82	2.44
7 + 7 + 9 + 9	20	5.16	0.93	6.71	1.16	7.89	1.35	8.79	1.48	9.09	1.49	9.69	1.52	10.37	1.53
	25	5.16	1.09	6.71	1.37	7.89	1.59	8.79	1.74	9.09	1.76	9.69	1.80	10.37	1.81
	32	5.16	1.33	6.71	1.67	7.89	1.93	8.79	2.12	9.09	2.14	9.69	2.18	10.37	2.19
	35	5.16	1.43	6.71	1.79	7.89	2.08	8.79	2.28	9.09	2.30	9.69	2.35	10.37	2.36

7. Capacity Tables

Combi.	Outdoor Air Temp. (°C, DB)	Indoor Air Temp. (°C, DB/WB)													
		20.0 / 14.0		23.0 / 16.0		26.0 / 18.0		27.0 / 19.0		28.0 / 20.0		30.0 / 22.0		32.0 / 24.0	
		TC	PI	TC	PI	TC	PI	TC	PI	TC	PI	TC	PI	TC	PI
7 + 7 + 9 + 9	40	5.16	1.45	6.71	1.82	7.89	2.10	8.35	2.31	8.64	2.33	9.21	2.38	9.85	2.39
	43	5.16	1.46	6.71	1.83	7.89	2.12	7.91	2.33	8.18	2.35	8.72	2.40	9.33	2.41
	46	5.16	1.47	6.71	1.85	7.32	2.14	7.47	2.35	7.73	2.37	8.24	2.42	8.82	2.43
	48	5.16	1.48	6.71	1.86	6.89	2.16	7.03	2.32	7.23	2.34	7.63	2.39	8.10	2.41
7 + 7 + 7 + 12	20	5.16	0.93	6.71	1.16	7.89	1.35	8.79	1.48	9.09	1.49	9.69	1.52	10.37	1.53
	25	5.16	1.09	6.71	1.37	7.89	1.59	8.79	1.74	9.09	1.76	9.69	1.79	10.37	1.81
	32	5.16	1.33	6.71	1.66	7.89	1.93	8.79	2.11	9.09	2.13	9.69	2.18	10.37	2.19
	35	5.16	1.43	6.71	1.79	7.89	2.07	8.79	2.27	9.09	2.29	9.69	2.34	10.37	2.36
	40	5.16	1.44	6.71	1.81	7.89	2.10	8.35	2.31	8.64	2.33	9.21	2.37	9.85	2.39
	43	5.16	1.46	6.71	1.83	7.89	2.12	7.91	2.32	8.18	2.34	8.72	2.39	9.33	2.41
	46	5.16	1.47	6.71	1.84	7.32	2.14	7.47	2.34	7.73	2.36	8.24	2.41	8.82	2.43
7 + 9 + 9 + 9	20	5.16	0.92	6.71	1.16	7.89	1.34	8.79	1.47	9.09	1.49	9.69	1.52	10.37	1.53
	25	5.16	1.09	6.71	1.37	7.89	1.59	8.79	1.74	9.09	1.76	9.69	1.79	10.37	1.80
	32	5.16	1.32	6.71	1.66	7.89	1.92	8.79	2.11	9.09	2.13	9.69	2.17	10.37	2.19
	35	5.16	1.42	6.71	1.79	7.89	2.07	8.79	2.27	9.09	2.29	9.69	2.34	10.37	2.35
	40	5.16	1.44	6.71	1.81	7.89	2.10	8.35	2.30	8.64	2.32	9.21	2.37	9.85	2.38
	43	5.16	1.45	6.71	1.83	7.89	2.12	7.91	2.32	8.18	2.34	8.72	2.39	9.33	2.40
	46	5.16	1.47	6.71	1.84	7.32	2.13	7.47	2.34	7.73	2.36	8.24	2.41	8.82	2.42
	48	5.16	1.48	6.71	1.86	6.89	2.15	7.03	2.32	7.23	2.34	7.63	2.39	8.10	2.40
7 + 7 + 9 + 12	20	5.16	0.92	6.71	1.16	7.89	1.34	8.79	1.47	9.09	1.49	9.69	1.52	10.37	1.53
	25	5.16	1.09	6.71	1.37	7.89	1.58	8.79	1.74	9.09	1.76	9.69	1.79	10.37	1.80
	32	5.16	1.32	6.71	1.66	7.89	1.92	8.79	2.11	9.09	2.13	9.69	2.17	10.37	2.18
	35	5.16	1.42	6.71	1.78	7.89	2.07	8.79	2.27	9.09	2.29	9.69	2.33	10.37	2.35
	40	5.16	1.44	6.71	1.81	7.89	2.10	8.35	2.30	8.64	2.32	9.21	2.37	9.85	2.38
	43	5.16	1.45	6.71	1.82	7.89	2.11	7.91	2.32	8.18	2.34	8.72	2.39	9.33	2.40
	46	5.16	1.46	6.71	1.84	7.32	2.13	7.47	2.34	7.73	2.36	8.24	2.41	8.82	2.42
9 + 9 + 9 + 9	20	5.16	0.92	6.71	1.16	7.89	1.34	8.79	1.47	9.09	1.48	9.69	1.51	10.37	1.52
	25	5.16	1.09	6.71	1.36	7.89	1.58	8.79	1.73	9.09	1.75	9.69	1.79	10.37	1.80
	32	5.16	1.32	6.71	1.66	7.89	1.92	8.79	2.10	9.09	2.12	9.69	2.17	10.37	2.18
	35	5.16	1.42	6.71	1.78	7.89	2.06	8.79	2.26	9.09	2.28	9.69	2.33	10.37	2.34
	40	5.16	1.44	6.71	1.81	7.89	2.09	8.35	2.29	8.64	2.31	9.21	2.36	9.85	2.38
	43	5.16	1.45	6.71	1.82	7.89	2.11	7.91	2.31	8.18	2.33	8.72	2.38	9.33	2.40
	46	5.16	1.46	6.71	1.84	7.32	2.13	7.47	2.33	7.73	2.35	8.24	2.40	8.82	2.42
	48	5.16	1.47	6.71	1.85	6.89	2.14	7.03	2.31	7.23	2.33	7.63	2.38	8.10	2.39
7 + 9 + 9 + 12	20	5.16	0.92	6.71	1.15	7.89	1.34	8.79	1.47	9.09	1.48	9.69	1.51	10.37	1.52
	25	5.16	1.09	6.71	1.36	7.89	1.58	8.79	1.73	9.09	1.75	9.69	1.78	10.37	1.79
	32	5.16	1.32	6.71	1.65	7.89	1.92	8.79	2.10	9.09	2.12	9.69	2.16	10.37	2.18
	35	5.16	1.42	6.71	1.78	7.89	2.06	8.79	2.26	9.09	2.28	9.69	2.33	10.37	2.34
	40	5.16	1.44	6.71	1.80	7.89	2.09	8.35	2.29	8.64	2.31	9.21	2.36	9.85	2.37
	43	5.16	1.45	6.71	1.82	7.89	2.11	7.91	2.31	8.18	2.33	8.72	2.38	9.33	2.39
	46	5.16	1.46	6.71	1.83	7.32	2.12	7.47	2.33	7.73	2.35	8.24	2.40	8.82	2.41
7 + 7 + 12 + 12	20	5.16	0.92	6.71	1.15	7.89	1.34	8.79	1.47	9.09	1.48	9.69	1.51	10.37	1.52
	25	5.16	1.08	6.71	1.36	7.89	1.58	8.79	1.73	9.09	1.75	9.69	1.78	10.37	1.79
	32	5.16	1.32	6.71	1.65	7.89	1.91	8.79	2.10	9.09	2.12	9.69	2.16	10.37	2.17
	35	5.16	1.41	6.71	1.78	7.89	2.06	8.79	2.26	9.09	2.28	9.69	2.32	10.37	2.34
	40	5.16	1.43	6.71	1.80	7.89	2.09	8.35	2.29	8.64	2.31	9.21	2.36	9.85	2.37
	43	5.16	1.45	6.71	1.82	7.89	2.10	7.91	2.31	8.18	2.33	8.72	2.38	9.33	2.39
46	5.16	1.46	6.71	1.83	7.32	2.12	7.47	2.33	7.73	2.35	8.24	2.40	8.82	2.41	

7. Capacity Tables

Combi.	Outdoor Air Temp. (°C, DB)	Indoor Air Temp. (°C, DB/WB)													
		20.0 / 14.0		23.0 / 16.0		26.0 / 18.0		27.0 / 19.0		28.0 / 20.0		30.0 / 22.0		32.0 / 24.0	
		TC	PI	TC	PI	TC	PI	TC	PI	TC	PI	TC	PI	TC	PI
7 + 7 + 12 + 12	48	5.16	1.47	6.71	1.85	6.89	2.14	7.03	2.30	7.23	2.32	7.63	2.37	8.10	2.38
7 + 7 + 7 + 18	20	5.16	0.90	6.71	1.13	7.89	1.31	8.79	1.44	9.09	1.45	9.69	1.48	10.37	1.49
	25	5.16	1.07	6.71	1.34	7.89	1.55	8.79	1.70	9.09	1.72	9.69	1.75	10.37	1.76
	32	5.16	1.29	6.71	1.62	7.89	1.88	8.79	2.06	9.09	2.08	9.69	2.13	10.37	2.14
	35	5.16	1.39	6.71	1.75	7.89	2.02	8.79	2.22	9.09	2.24	9.69	2.29	10.37	2.30
	40	5.16	1.41	6.71	1.77	7.89	2.05	8.35	2.25	8.64	2.27	9.21	2.32	9.85	2.33
	43	5.16	1.42	6.71	1.79	7.89	2.07	7.91	2.27	8.18	2.29	8.72	2.34	9.33	2.35
	46	5.16	1.43	6.71	1.80	7.32	2.09	7.47	2.29	7.73	2.31	8.24	2.36	8.82	2.37
	48	5.16	1.45	6.71	1.81	6.89	2.10	7.03	2.26	7.23	2.28	7.63	2.33	8.10	2.35
9 + 9 + 9 + 12	20	5.16	0.92	6.71	1.15	7.89	1.33	8.79	1.46	9.09	1.48	9.69	1.51	10.37	1.52
	25	5.16	1.08	6.71	1.36	7.89	1.57	8.79	1.73	9.09	1.75	9.69	1.78	10.37	1.79
	32	5.16	1.31	6.71	1.65	7.89	1.91	8.79	2.10	9.09	2.12	9.69	2.16	10.37	2.17
	35	5.16	1.41	6.71	1.77	7.89	2.05	8.79	2.25	9.09	2.27	9.69	2.32	10.37	2.33
	40	5.16	1.43	6.71	1.80	7.89	2.08	8.35	2.28	8.64	2.30	9.21	2.35	9.85	2.37
	43	5.16	1.44	6.71	1.81	7.89	2.10	7.91	2.30	8.18	2.32	8.72	2.37	9.33	2.39
	46	5.16	1.46	6.71	1.83	7.32	2.12	7.47	2.32	7.73	2.34	8.24	2.39	8.82	2.41
	48	5.16	1.47	6.71	1.84	6.89	2.13	7.03	2.30	7.23	2.32	7.63	2.37	8.10	2.38
7 + 9 + 12 + 12	20	5.16	0.92	6.71	1.15	7.89	1.33	8.79	1.46	9.09	1.48	9.69	1.51	10.37	1.51
	25	5.16	1.08	6.71	1.36	7.89	1.57	8.79	1.72	9.09	1.74	9.69	1.78	10.37	1.79
	32	5.16	1.31	6.71	1.65	7.89	1.91	8.79	2.09	9.09	2.11	9.69	2.16	10.37	2.17
	35	5.16	1.41	6.71	1.77	7.89	2.05	8.79	2.25	9.09	2.27	9.69	2.32	10.37	2.33
	40	5.16	1.43	6.71	1.79	7.89	2.08	8.35	2.28	8.64	2.30	9.21	2.35	9.85	2.36
	43	5.16	1.44	6.71	1.81	7.89	2.10	7.91	2.30	8.18	2.32	8.72	2.37	9.33	2.38
	46	5.16	1.45	6.71	1.82	7.32	2.11	7.47	2.32	7.73	2.34	8.24	2.39	8.82	2.40
	48	5.16	1.47	6.71	1.84	6.89	2.13	7.03	2.29	7.23	2.31	7.63	2.36	8.10	2.38
7 + 7 + 9 + 18	20	5.16	0.90	6.71	1.13	7.89	1.31	8.79	1.44	9.09	1.45	9.69	1.48	10.37	1.49
	25	5.16	1.06	6.71	1.33	7.89	1.55	8.79	1.70	9.09	1.72	9.69	1.75	10.37	1.76
	32	5.16	1.29	6.71	1.62	7.89	1.88	8.79	2.06	9.09	2.08	9.69	2.12	10.37	2.13
	35	5.16	1.39	6.71	1.74	7.89	2.02	8.79	2.21	9.09	2.23	9.69	2.28	10.37	2.29
	40	5.16	1.41	6.71	1.77	7.89	2.05	8.35	2.24	8.64	2.26	9.21	2.31	9.85	2.32
	43	5.16	1.42	6.71	1.78	7.89	2.06	7.91	2.26	8.18	2.28	8.72	2.33	9.33	2.34
	46	5.16	1.43	6.71	1.79	7.32	2.08	7.47	2.28	7.73	2.30	8.24	2.35	8.82	2.36
	48	5.16	1.44	6.71	1.81	6.89	2.10	7.03	2.26	7.23	2.28	7.63	2.32	8.10	2.34
9 + 9 + 12 + 12	20	5.16	0.91	6.71	1.15	7.89	1.33	8.79	1.46	9.09	1.47	9.69	1.50	10.37	1.51
	25	5.16	1.08	6.71	1.35	7.89	1.57	8.79	1.72	9.09	1.74	9.69	1.77	10.37	1.78
	32	5.16	1.31	6.71	1.64	7.89	1.90	8.79	2.09	9.09	2.11	9.69	2.15	10.37	2.16
	35	5.16	1.41	6.71	1.76	7.89	2.04	8.79	2.24	9.09	2.26	9.69	2.31	10.37	2.32
	40	5.16	1.43	6.71	1.79	7.89	2.07	8.35	2.27	8.64	2.29	9.21	2.34	9.85	2.36
	43	5.16	1.44	6.71	1.80	7.89	2.09	7.91	2.29	8.18	2.31	8.72	2.36	9.33	2.38
	46	5.16	1.45	6.71	1.82	7.32	2.11	7.47	2.31	7.73	2.33	8.24	2.38	8.82	2.40
	48	5.16	1.46	6.71	1.83	6.89	2.13	7.03	2.29	7.23	2.31	7.63	2.36	8.10	2.37
7 + 9 + 9 + 18	20	5.16	0.90	6.71	1.13	7.89	1.31	8.79	1.43	9.09	1.45	9.69	1.48	10.37	1.48
	25	5.16	1.06	6.71	1.33	7.89	1.54	8.79	1.69	9.09	1.71	9.69	1.74	10.37	1.75
	32	5.16	1.29	6.71	1.61	7.89	1.87	8.79	2.05	9.09	2.07	9.69	2.11	10.37	2.13
	35	5.16	1.38	6.71	1.74	7.89	2.01	8.79	2.21	9.09	2.23	9.69	2.27	10.37	2.29
	40	5.16	1.40	6.71	1.76	7.89	2.04	8.35	2.24	8.64	2.26	9.21	2.30	9.85	2.32
	43	5.16	1.41	6.71	1.77	7.89	2.06	7.91	2.26	8.18	2.28	8.72	2.32	9.33	2.34
	46	5.16	1.43	6.71	1.79	7.32	2.07	7.47	2.27	7.73	2.29	8.24	2.34	8.82	2.36
	48	5.16	1.44	6.71	1.80	6.89	2.09	7.03	2.25	7.23	2.27	7.63	2.32	8.10	2.33
7 + 12 + 12 + 12	20	5.16	0.91	6.71	1.14	7.89	1.33	8.79	1.45	9.09	1.47	9.69	1.50	10.37	1.51
	25	5.16	1.08	6.71	1.35	7.89	1.56	8.79	1.72	9.09	1.74	9.69	1.77	10.37	1.78

7. Capacity Tables

Combi.	Outdoor Air Temp. (°C, DB)	Indoor Air Temp. (°C, DB/WB)													
		20.0 / 14.0		23.0 / 16.0		26.0 / 18.0		27.0 / 19.0		28.0 / 20.0		30.0 / 22.0		32.0 / 24.0	
		TC	PI	TC	PI	TC	PI	TC	PI	TC	PI	TC	PI	TC	PI
7 + 12 + 12 + 12	32	5.16	1.31	6.71	1.64	7.89	1.90	8.79	2.08	9.09	2.10	9.69	2.15	10.37	2.16
	35	5.16	1.40	6.71	1.76	7.89	2.04	8.79	2.24	9.09	2.26	9.69	2.31	10.37	2.32
	40	5.16	1.42	6.71	1.79	7.89	2.07	8.35	2.27	8.64	2.29	9.21	2.34	9.85	2.35
	43	5.16	1.44	6.71	1.80	7.89	2.09	7.91	2.29	8.18	2.31	8.72	2.36	9.33	2.37
	46	5.16	1.45	6.71	1.82	7.32	2.10	7.47	2.31	7.73	2.33	8.24	2.38	8.82	2.39
	48	5.16	1.46	6.71	1.83	6.89	2.12	7.03	2.28	7.23	2.30	7.63	2.35	8.10	2.37
7 + 7 + 12 + 18	20	5.16	0.90	6.71	1.13	7.89	1.30	8.79	1.43	9.09	1.44	9.69	1.47	10.37	1.48
	25	5.16	1.06	6.71	1.33	7.89	1.54	8.79	1.69	9.09	1.71	9.69	1.74	10.37	1.75
	32	5.16	1.28	6.71	1.61	7.89	1.87	8.79	2.05	9.09	2.07	9.69	2.11	10.37	2.12
	35	5.16	1.38	6.71	1.73	7.89	2.01	8.79	2.20	9.09	2.22	9.69	2.27	10.37	2.28
	40	5.16	1.40	6.71	1.76	7.89	2.04	8.35	2.23	8.64	2.25	9.21	2.30	9.85	2.31
	43	5.16	1.41	6.71	1.77	7.89	2.05	7.91	2.25	8.18	2.27	8.72	2.32	9.33	2.33
	46	5.16	1.42	6.71	1.79	7.32	2.07	7.47	2.27	7.73	2.29	8.24	2.34	8.82	2.35
7 + 7 + 7 + 24	20	5.16	0.90	6.71	1.12	7.89	1.30	8.79	1.43	9.09	1.44	9.69	1.47	10.37	1.48
	25	5.16	1.06	6.71	1.33	7.89	1.54	8.79	1.69	9.09	1.71	9.69	1.74	10.37	1.75
	32	5.16	1.28	6.71	1.61	7.89	1.86	8.79	2.05	9.09	2.07	9.69	2.11	10.37	2.12
	35	5.16	1.38	6.71	1.73	7.89	2.01	8.79	2.20	9.09	2.22	9.69	2.27	10.37	2.28
	40	5.16	1.40	6.71	1.75	7.89	2.03	8.35	2.23	8.64	2.25	9.21	2.30	9.85	2.31
	43	5.16	1.41	6.71	1.77	7.89	2.05	7.91	2.25	8.18	2.27	8.72	2.32	9.33	2.33
	46	5.16	1.42	6.71	1.78	7.32	2.07	7.47	2.27	7.73	2.29	8.24	2.34	8.82	2.35
9 + 9 + 9 + 18	20	5.16	0.90	6.71	1.12	7.89	1.30	8.79	1.43	9.09	1.44	9.69	1.47	10.37	1.48
	25	5.16	1.06	6.71	1.33	7.89	1.54	8.79	1.69	9.09	1.71	9.69	1.74	10.37	1.75
	32	5.16	1.28	6.71	1.61	7.89	1.86	8.79	2.05	9.09	2.07	9.69	2.11	10.37	2.12
	35	5.16	1.38	6.71	1.73	7.89	2.01	8.79	2.20	9.09	2.22	9.69	2.27	10.37	2.28
	40	5.16	1.40	6.71	1.75	7.89	2.03	8.35	2.23	8.64	2.25	9.21	2.30	9.85	2.31
	43	5.16	1.41	6.71	1.77	7.89	2.05	7.91	2.25	8.18	2.27	8.72	2.32	9.33	2.33
	46	5.16	1.42	6.71	1.78	7.32	2.07	7.47	2.27	7.73	2.29	8.24	2.34	8.82	2.35
9 + 12 + 12 + 12	20	5.16	0.91	6.71	1.14	7.89	1.32	8.79	1.45	9.09	1.46	9.69	1.49	10.37	1.50
	25	5.16	1.07	6.71	1.35	7.89	1.56	8.79	1.71	9.09	1.73	9.69	1.76	10.37	1.77
	32	5.16	1.30	6.71	1.63	7.89	1.89	8.79	2.08	9.09	2.10	9.69	2.14	10.37	2.15
	35	5.16	1.40	6.71	1.76	7.89	2.04	8.79	2.23	9.09	2.25	9.69	2.30	10.37	2.31
	40	5.16	1.42	6.71	1.78	7.89	2.06	8.35	2.26	8.64	2.28	9.21	2.33	9.85	2.35
	43	5.16	1.43	6.71	1.80	7.89	2.08	7.91	2.28	8.18	2.30	8.72	2.35	9.33	2.37
	46	5.16	1.44	6.71	1.81	7.32	2.10	7.47	2.30	7.73	2.32	8.24	2.37	8.82	2.38
	48	5.16	1.45	6.71	1.83	6.89	2.12	7.03	2.28	7.23	2.30	7.63	2.35	8.10	2.36
7 + 9 + 12 + 18	20	5.16	0.89	6.71	1.12	7.89	1.30	8.79	1.43	9.09	1.44	9.69	1.47	10.37	1.48
	25	5.16	1.05	6.71	1.32	7.89	1.53	8.79	1.68	9.09	1.70	9.69	1.73	10.37	1.74
	32	5.16	1.28	6.71	1.61	7.89	1.86	8.79	2.04	9.09	2.06	9.69	2.10	10.37	2.12
	35	5.16	1.38	6.71	1.73	7.89	2.00	8.79	2.20	9.09	2.22	9.69	2.26	10.37	2.28
	40	5.16	1.40	6.71	1.75	7.89	2.03	8.35	2.23	8.64	2.25	9.21	2.29	9.85	2.31
	43	5.16	1.41	6.71	1.77	7.89	2.05	7.91	2.25	8.18	2.27	8.72	2.31	9.33	2.33
	46	5.16	1.42	6.71	1.78	7.32	2.06	7.47	2.26	7.73	2.28	8.24	2.33	8.82	2.35
	48	5.16	1.43	6.71	1.80	6.89	2.08	7.03	2.24	7.23	2.26	7.63	2.31	8.10	2.32
7 + 7 + 9 + 24	20	5.16	0.89	6.71	1.12	7.89	1.30	8.79	1.42	9.09	1.44	9.69	1.47	10.37	1.48
	25	5.16	1.05	6.71	1.32	7.89	1.53	8.79	1.68	9.09	1.70	9.69	1.73	10.37	1.74
	32	5.16	1.28	6.71	1.60	7.89	1.86	8.79	2.04	9.09	2.06	9.69	2.10	10.37	2.11
	35	5.16	1.37	6.71	1.73	7.89	2.00	8.79	2.19	9.09	2.21	9.69	2.26	10.37	2.27
	40	5.16	1.39	6.71	1.75	7.89	2.03	8.35	2.22	8.64	2.24	9.21	2.29	9.85	2.30

7. Capacity Tables

Combi.	Outdoor Air Temp. (°C, DB)	Indoor Air Temp. (°C, DB/WB)													
		20.0 / 14.0		23.0 / 16.0		26.0 / 18.0		27.0 / 19.0		28.0 / 20.0		30.0 / 22.0		32.0 / 24.0	
		TC	PI	TC	PI	TC	PI	TC	PI	TC	PI	TC	PI	TC	PI
7 + 7 + 9 + 24	43	5.16	1.41	6.71	1.76	7.89	2.04	7.91	2.24	8.18	2.26	8.72	2.31	9.33	2.32
	46	5.16	1.42	6.71	1.78	7.32	2.06	7.47	2.26	7.73	2.28	8.24	2.33	8.82	2.34
	48	5.16	1.43	6.71	1.79	6.89	2.08	7.03	2.24	7.23	2.26	7.63	2.30	8.10	2.32
9 + 9 + 12 + 18	20	5.16	0.89	6.71	1.12	7.89	1.30	8.79	1.42	9.09	1.43	9.69	1.46	10.37	1.47
	25	5.16	1.05	6.71	1.32	7.89	1.53	8.79	1.68	9.09	1.70	9.69	1.73	10.37	1.74
	32	5.16	1.28	6.71	1.60	7.89	1.86	8.79	2.04	9.09	2.06	9.69	2.10	10.37	2.11
	35	5.16	1.37	6.71	1.72	7.89	2.00	8.79	2.19	9.09	2.21	9.69	2.26	10.37	2.27
	40	5.16	1.39	6.71	1.75	7.89	2.02	8.35	2.22	8.64	2.24	9.21	2.29	9.85	2.30
	43	5.16	1.40	6.71	1.76	7.89	2.04	7.91	2.24	8.18	2.26	8.72	2.31	9.33	2.32
	46	5.16	1.41	6.71	1.78	7.32	2.06	7.47	2.26	7.73	2.28	8.24	2.32	8.82	2.34
12 + 12 + 12 + 12	20	5.16	0.90	6.71	1.14	7.89	1.32	8.79	1.44	9.09	1.46	9.69	1.49	10.37	1.50
	25	5.16	1.07	6.71	1.34	7.89	1.55	8.79	1.70	9.09	1.72	9.69	1.75	10.37	1.76
	32	5.16	1.30	6.71	1.63	7.89	1.88	8.79	2.07	9.09	2.09	9.69	2.13	10.37	2.14
	35	5.16	1.39	6.71	1.75	7.89	2.03	8.79	2.22	9.09	2.24	9.69	2.29	10.37	2.30
	40	5.16	1.41	6.71	1.77	7.89	2.05	8.35	2.25	8.64	2.27	9.21	2.32	9.85	2.34
	43	5.16	1.42	6.71	1.79	7.89	2.07	7.91	2.27	8.18	2.29	8.72	2.34	9.33	2.35
	46	5.16	1.44	6.71	1.80	7.32	2.09	7.47	2.29	7.73	2.31	8.24	2.36	8.82	2.37
7 + 9 + 9 + 24	20	5.16	0.89	6.71	1.12	7.89	1.29	8.79	1.42	9.09	1.43	9.69	1.46	10.37	1.47
	25	5.16	1.05	6.71	1.32	7.89	1.53	8.79	1.68	9.09	1.70	9.69	1.73	10.37	1.74
	32	5.16	1.27	6.71	1.60	7.89	1.85	8.79	2.03	9.09	2.05	9.69	2.09	10.37	2.11
	35	5.16	1.37	6.71	1.72	7.89	1.99	8.79	2.19	9.09	2.21	9.69	2.25	10.37	2.27
	40	5.16	1.39	6.71	1.74	7.89	2.02	8.35	2.22	8.64	2.24	9.21	2.28	9.85	2.30
	43	5.16	1.40	6.71	1.76	7.89	2.04	7.91	2.24	8.18	2.26	8.72	2.30	9.33	2.32
	46	5.16	1.41	6.71	1.77	7.32	2.05	7.47	2.25	7.73	2.27	8.24	2.32	8.82	2.33
7 + 12 + 12 + 18	20	5.16	0.89	6.71	1.12	7.89	1.29	8.79	1.42	9.09	1.43	9.69	1.46	10.37	1.47
	25	5.16	1.05	6.71	1.32	7.89	1.53	8.79	1.68	9.09	1.70	9.69	1.73	10.37	1.74
	32	5.16	1.27	6.71	1.60	7.89	1.85	8.79	2.03	9.09	2.05	9.69	2.09	10.37	2.11
	35	5.16	1.37	6.71	1.72	7.89	1.99	8.79	2.19	9.09	2.21	9.69	2.25	10.37	2.27
	40	5.16	1.39	6.71	1.74	7.89	2.02	8.35	2.22	8.64	2.24	9.21	2.28	9.85	2.30
	43	5.16	1.40	6.71	1.76	7.89	2.04	7.91	2.24	8.18	2.26	8.72	2.30	9.33	2.32
	46	5.16	1.41	6.71	1.77	7.32	2.05	7.47	2.25	7.73	2.27	8.24	2.32	8.82	2.33
7 + 7 + 12 + 24	20	5.16	0.89	6.71	1.12	7.89	1.29	8.79	1.42	9.09	1.43	9.69	1.46	10.37	1.47
	25	5.16	1.05	6.71	1.32	7.89	1.53	8.79	1.67	9.09	1.69	9.69	1.72	10.37	1.73
	32	5.16	1.27	6.71	1.60	7.89	1.85	8.79	2.03	9.09	2.05	9.69	2.09	10.37	2.10
	35	5.16	1.37	6.71	1.72	7.89	1.99	8.79	2.18	9.09	2.20	9.69	2.25	10.37	2.26
	40	5.16	1.39	6.71	1.74	7.89	2.02	8.35	2.21	8.64	2.23	9.21	2.28	9.85	2.29
	43	5.16	1.40	6.71	1.76	7.89	2.03	7.91	2.23	8.18	2.25	8.72	2.30	9.33	2.31
	46	5.16	1.41	6.71	1.77	7.32	2.05	7.47	2.25	7.73	2.27	8.24	2.32	8.82	2.33
7 + 7 + 18 + 18	20	5.16	0.88	6.71	1.10	7.89	1.27	8.79	1.40	9.09	1.41	9.69	1.44	10.37	1.45
	25	5.16	1.03	6.71	1.30	7.89	1.50	8.79	1.65	9.09	1.67	9.69	1.70	10.37	1.71
	32	5.16	1.25	6.71	1.57	7.89	1.82	8.79	2.00	9.09	2.02	9.69	2.06	10.37	2.07
	35	5.16	1.35	6.71	1.69	7.89	1.96	8.79	2.15	9.09	2.17	9.69	2.21	10.37	2.23
	40	5.16	1.37	6.71	1.72	7.89	1.99	8.35	2.18	8.64	2.20	9.21	2.25	9.85	2.26
	43	5.16	1.38	6.71	1.73	7.89	2.00	7.91	2.20	8.18	2.22	8.72	2.26	9.33	2.28
	46	5.16	1.39	6.71	1.74	7.32	2.02	7.47	2.22	7.73	2.24	8.24	2.28	8.82	2.30
48	5.16	1.40	6.71	1.76	6.89	2.04	7.03	2.19	7.23	2.21	7.63	2.26	8.10	2.27	

7. Capacity Tables

Combi.	Outdoor Air Temp. (°C, DB)	Indoor Air Temp. (°C, DB/WB)													
		20.0 / 14.0		23.0 / 16.0		26.0 / 18.0		27.0 / 19.0		28.0 / 20.0		30.0 / 22.0		32.0 / 24.0	
		TC	PI	TC	PI	TC	PI	TC	PI	TC	PI	TC	PI	TC	PI
9 + 9 + 9 + 24	20	5.16	0.89	6.71	1.11	7.89	1.29	8.79	1.42	9.09	1.43	9.69	1.46	10.37	1.47
	25	5.16	1.05	6.71	1.31	7.89	1.52	8.79	1.67	9.09	1.69	9.69	1.72	10.37	1.73
	32	5.16	1.27	6.71	1.59	7.89	1.85	8.79	2.03	9.09	2.05	9.69	2.09	10.37	2.10
	35	5.16	1.37	6.71	1.72	7.89	1.99	8.79	2.18	9.09	2.20	9.69	2.25	10.37	2.26
	40	5.16	1.39	6.71	1.74	7.89	2.01	8.35	2.21	8.64	2.23	9.21	2.28	9.85	2.29
	43	5.16	1.40	6.71	1.75	7.89	2.03	7.91	2.23	8.18	2.25	8.72	2.30	9.33	2.31
	46	5.16	1.41	6.71	1.77	7.32	2.05	7.47	2.25	7.73	2.27	8.24	2.31	8.82	2.33
	48	5.16	1.42	6.71	1.78	6.89	2.07	7.03	2.22	7.23	2.24	7.63	2.29	8.10	2.30
9 + 12 + 12 + 18	20	5.16	0.89	6.71	1.11	7.89	1.29	8.79	1.42	9.09	1.43	9.69	1.46	10.37	1.47
	25	5.16	1.05	6.71	1.31	7.89	1.52	8.79	1.67	9.09	1.69	9.69	1.72	10.37	1.73
	32	5.16	1.27	6.71	1.59	7.89	1.85	8.79	2.03	9.09	2.05	9.69	2.09	10.37	2.10
	35	5.16	1.37	6.71	1.72	7.89	1.99	8.79	2.18	9.09	2.20	9.69	2.25	10.37	2.26
	40	5.16	1.39	6.71	1.74	7.89	2.01	8.35	2.21	8.64	2.23	9.21	2.28	9.85	2.29
	43	5.16	1.40	6.71	1.75	7.89	2.03	7.91	2.23	8.18	2.25	8.72	2.30	9.33	2.31
	46	5.16	1.41	6.71	1.77	7.32	2.05	7.47	2.25	7.73	2.27	8.24	2.31	8.82	2.33
	48	5.16	1.42	6.71	1.78	6.89	2.07	7.03	2.22	7.23	2.24	7.63	2.29	8.10	2.30

Note

- DB : Dry bulb temperature(°C), WB : Wet bulb temperature(°C)
- TC : Total capacity(kW)
- PI : Power Input (kW, Compressor + indoor fan motor + outdoor fan motor)
- All capacities are net. A deduction (cooling mode) or an addition (heating mode) of Capacity due to operating heat of indoor unit motor is reflected.
- Capacities are based on the following conditions :
 - Interconnecting Piping Length (Both Main pipe and Branch pipe) is standard length.
 - Difference of Elevation (Outdoor ~ Indoor Unit) is 0 m.
- Direct interpolation is permissible. Do not extrapolate.
- Rated capacities and power inputs are based on standard temperature and piping conditions, and it can be found on specifications table. Except for rated value, the performance is not guaranteed.
- In accordance with the test standard(or nations) and indoor unit's combinations, the rating will vary slightly.

7. Capacity Tables

Z5UW36GFB1

Combi.	Outdoor Air Temp. (°C, DB)	Indoor Air Temp. (°C, DB/WB)													
		20.0 / 14.0		23.0 / 16.0		26.0 / 18.0		27.0 / 19.0		28.0 / 20.0		30.0 / 22.0		32.0 / 24.0	
		TC	PI	TC	PI	TC	PI	TC	PI	TC	PI	TC	PI	TC	PI
7 + 7	20	2.41	0.34	3.13	0.43	3.68	0.50	4.10	0.55	4.24	0.55	4.52	0.56	4.84	0.57
	25	2.41	0.40	3.13	0.51	3.68	0.59	4.10	0.65	4.24	0.66	4.52	0.67	4.84	0.67
	32	2.41	0.49	3.13	0.62	3.68	0.71	4.10	0.78	4.24	0.79	4.52	0.81	4.84	0.81
	35	2.41	0.53	3.13	0.66	3.68	0.77	4.10	0.84	4.24	0.85	4.52	0.87	4.84	0.87
	40	2.41	0.54	3.13	0.67	3.68	0.78	3.90	0.85	4.03	0.86	4.30	0.88	4.60	0.89
	43	2.41	0.54	3.13	0.68	3.68	0.79	3.69	0.86	3.82	0.87	4.07	0.89	4.36	0.89
	46	2.41	0.54	3.13	0.68	3.42	0.79	3.49	0.87	3.61	0.88	3.84	0.89	4.12	0.90
	48	2.41	0.55	3.13	0.69	3.22	0.80	3.28	0.86	3.37	0.87	3.56	0.89	3.78	0.89
7 + 9	20	2.75	0.41	3.58	0.52	4.21	0.60	4.69	0.66	4.85	0.67	5.17	0.68	5.53	0.68
	25	2.75	0.49	3.58	0.61	4.21	0.71	4.69	0.78	4.85	0.79	5.17	0.80	5.53	0.80
	32	2.75	0.59	3.58	0.74	4.21	0.86	4.69	0.94	4.85	0.95	5.17	0.97	5.53	0.98
	35	2.75	0.63	3.58	0.80	4.21	0.92	4.69	1.01	4.85	1.02	5.17	1.04	5.53	1.05
	40	2.75	0.64	3.58	0.81	4.21	0.94	4.46	1.03	4.61	1.04	4.91	1.06	5.26	1.06
	43	2.75	0.65	3.58	0.81	4.21	0.94	4.22	1.03	4.36	1.04	4.65	1.07	4.98	1.07
	46	2.75	0.65	3.58	0.82	3.91	0.95	3.99	1.04	4.12	1.05	4.39	1.07	4.70	1.08
	48	2.75	0.66	3.58	0.83	3.68	0.96	3.75	1.03	3.86	1.04	4.07	1.06	4.32	1.07
9 + 9	20	3.10	0.45	4.03	0.56	4.74	0.65	5.28	0.72	5.46	0.73	5.81	0.74	6.22	0.74
	25	3.10	0.53	4.03	0.66	4.74	0.77	5.28	0.84	5.46	0.85	5.81	0.87	6.22	0.88
	32	3.10	0.64	4.03	0.81	4.74	0.93	5.28	1.03	5.46	1.04	5.81	1.06	6.22	1.06
	35	3.10	0.69	4.03	0.87	4.74	1.01	5.28	1.10	5.46	1.11	5.81	1.14	6.22	1.14
	40	3.10	0.70	4.03	0.88	4.74	1.02	5.01	1.12	5.18	1.13	5.52	1.15	5.91	1.16
	43	3.10	0.71	4.03	0.89	4.74	1.03	4.75	1.13	4.91	1.14	5.23	1.16	5.60	1.17
	46	3.10	0.71	4.03	0.89	4.40	1.04	4.49	1.14	4.64	1.15	4.94	1.17	5.29	1.18
	48	3.10	0.72	4.03	0.90	4.14	1.04	4.22	1.12	4.34	1.13	4.58	1.16	4.86	1.17
7 + 12	20	3.27	0.49	4.25	0.61	5.00	0.71	5.57	0.78	5.76	0.79	6.14	0.80	6.57	0.81
	25	3.27	0.57	4.25	0.72	5.00	0.84	5.57	0.92	5.76	0.93	6.14	0.94	6.57	0.95
	32	3.27	0.70	4.25	0.88	5.00	1.01	5.57	1.11	5.76	1.12	6.14	1.15	6.57	1.15
	35	3.27	0.75	4.25	0.94	5.00	1.09	5.57	1.20	5.76	1.21	6.14	1.23	6.57	1.24
	40	3.27	0.76	4.25	0.95	5.00	1.11	5.29	1.21	5.47	1.22	5.83	1.25	6.24	1.26
	43	3.27	0.77	4.25	0.96	5.00	1.11	5.01	1.22	5.18	1.23	5.52	1.26	5.91	1.27
	46	3.27	0.77	4.25	0.97	4.64	1.12	4.73	1.23	4.89	1.24	5.22	1.27	5.59	1.28
	48	3.27	0.78	4.25	0.98	4.37	1.13	4.45	1.22	4.58	1.23	4.84	1.26	5.13	1.26
9 + 12	20	3.61	0.57	4.70	0.71	5.53	0.83	6.15	0.91	6.36	0.92	6.78	0.93	7.26	0.94
	25	3.61	0.67	4.70	0.84	5.53	0.98	6.15	1.07	6.36	1.08	6.78	1.10	7.26	1.11
	32	3.61	0.81	4.70	1.02	5.53	1.18	6.15	1.30	6.36	1.31	6.78	1.34	7.26	1.35
	35	3.61	0.88	4.70	1.10	5.53	1.27	6.15	1.40	6.36	1.41	6.78	1.44	7.26	1.45
	40	3.61	0.89	4.70	1.11	5.53	1.29	5.85	1.42	6.05	1.43	6.44	1.46	6.90	1.47
	43	3.61	0.89	4.70	1.12	5.53	1.30	5.54	1.43	5.73	1.44	6.11	1.47	6.54	1.48
	46	3.61	0.90	4.70	1.13	5.13	1.31	5.23	1.44	5.41	1.45	5.77	1.48	6.17	1.49
	48	3.61	0.91	4.70	1.14	4.83	1.32	4.92	1.42	5.06	1.44	5.34	1.47	5.67	1.48
12 + 12	20	4.13	0.70	5.37	0.88	6.32	1.02	7.03	1.12	7.27	1.13	7.75	1.16	8.30	1.16
	25	4.13	0.83	5.37	1.04	6.32	1.21	7.03	1.33	7.27	1.34	7.75	1.37	8.30	1.37
	32	4.13	1.01	5.37	1.27	6.32	1.47	7.03	1.61	7.27	1.63	7.75	1.66	8.30	1.67
	35	4.13	1.08	5.37	1.36	6.32	1.58	7.03	1.73	7.27	1.75	7.75	1.78	8.30	1.79
	40	4.13	1.10	5.37	1.38	6.32	1.60	6.68	1.75	6.91	1.77	7.37	1.81	7.88	1.82
	43	4.13	1.11	5.37	1.39	6.32	1.61	6.33	1.77	6.55	1.79	6.98	1.82	7.47	1.83
	46	4.13	1.12	5.37	1.40	5.86	1.62	5.98	1.78	6.18	1.80	6.59	1.84	7.06	1.85
	48	4.13	1.13	5.37	1.41	5.51	1.64	5.63	1.76	5.79	1.78	6.11	1.82	6.48	1.83
7 + 18	20	4.30	0.73	5.60	0.92	6.58	1.06	7.33	1.17	7.58	1.18	8.08	1.20	8.64	1.21
	25	4.30	0.86	5.60	1.08	6.58	1.25	7.33	1.38	7.58	1.39	8.08	1.42	8.64	1.42

7. Capacity Tables

Combi.	Outdoor Air Temp. (°C, DB)	Indoor Air Temp. (°C, DB/WB)													
		20.0 / 14.0		23.0 / 16.0		26.0 / 18.0		27.0 / 19.0		28.0 / 20.0		30.0 / 22.0		32.0 / 24.0	
		TC	PI	TC	PI	TC	PI	TC	PI	TC	PI	TC	PI	TC	PI
7 + 18	32	4.30	1.05	5.60	1.31	6.58	1.52	7.33	1.67	7.58	1.69	8.08	1.72	8.64	1.73
	35	4.30	1.12	5.60	1.41	6.58	1.64	7.33	1.79	7.58	1.81	8.08	1.85	8.64	1.86
	40	4.30	1.14	5.60	1.43	6.58	1.66	6.96	1.82	7.20	1.84	7.67	1.87	8.21	1.89
	43	4.30	1.15	5.60	1.44	6.58	1.67	6.60	1.83	6.82	1.85	7.27	1.89	7.78	1.90
	46	4.30	1.16	5.60	1.46	6.11	1.69	6.23	1.85	6.44	1.87	6.87	1.90	7.35	1.92
	48	4.30	1.17	5.60	1.47	5.74	1.70	5.86	1.83	6.03	1.85	6.36	1.89	6.75	1.90
9 + 18	20	4.65	0.83	6.04	1.04	7.11	1.21	7.91	1.33	8.18	1.34	8.72	1.37	9.34	1.37
	25	4.65	0.98	6.04	1.23	7.11	1.43	7.91	1.57	8.18	1.58	8.72	1.61	9.34	1.62
	32	4.65	1.19	6.04	1.49	7.11	1.73	7.91	1.90	8.18	1.92	8.72	1.96	9.34	1.97
	35	4.65	1.28	6.04	1.61	7.11	1.86	7.91	2.04	8.18	2.06	8.72	2.10	9.34	2.12
	40	4.65	1.30	6.04	1.63	7.11	1.89	7.52	2.07	7.78	2.09	8.29	2.13	8.87	2.15
	43	4.65	1.31	6.04	1.64	7.11	1.90	7.12	2.09	7.36	2.11	7.85	2.15	8.40	2.16
	46	4.65	1.32	6.04	1.66	6.59	1.92	6.73	2.10	6.96	2.12	7.42	2.17	7.94	2.18
48	4.65	1.33	6.04	1.67	6.20	1.93	6.33	2.08	6.51	2.10	6.87	2.15	7.29	2.16	
12 + 18	20	5.16	1.00	6.71	1.25	7.89	1.45	8.79	1.59	9.09	1.61	9.69	1.64	10.37	1.65
	25	5.16	1.18	6.71	1.48	7.89	1.71	8.79	1.88	9.09	1.90	9.69	1.94	10.37	1.95
	32	5.16	1.43	6.71	1.80	7.89	2.08	8.79	2.28	9.09	2.30	9.69	2.35	10.37	2.36
	35	5.16	1.54	6.71	1.93	7.89	2.24	8.79	2.45	9.09	2.48	9.69	2.53	10.37	2.54
	40	5.16	1.56	6.71	1.96	7.89	2.27	8.35	2.49	8.64	2.51	9.21	2.56	9.86	2.58
	43	5.16	1.57	6.71	1.97	7.89	2.29	7.91	2.51	8.18	2.53	8.72	2.58	9.34	2.60
	46	5.16	1.58	6.71	1.99	7.33	2.30	7.48	2.53	7.73	2.55	8.24	2.60	8.82	2.62
48	5.16	1.60	6.71	2.01	6.89	2.32	7.03	2.50	7.23	2.53	7.64	2.58	8.10	2.59	
7 + 24	20	5.33	1.07	6.94	1.34	8.16	1.56	9.09	1.71	9.40	1.73	10.01	1.76	10.72	1.77
	25	5.33	1.26	6.94	1.58	8.16	1.84	9.09	2.01	9.40	2.03	10.01	2.07	10.72	2.09
	32	5.33	1.53	6.94	1.92	8.16	2.23	9.09	2.44	9.40	2.47	10.01	2.52	10.72	2.53
	35	5.33	1.65	6.94	2.07	8.16	2.39	9.09	2.63	9.40	2.66	10.01	2.71	10.72	2.72
	40	5.33	1.67	6.94	2.10	8.16	2.43	8.63	2.66	8.92	2.69	9.51	2.74	10.18	2.76
	43	5.33	1.68	6.94	2.11	8.16	2.45	8.18	2.68	8.46	2.71	9.01	2.77	9.65	2.78
	46	5.33	1.70	6.94	2.13	7.57	2.47	7.72	2.71	7.98	2.74	8.51	2.79	9.11	2.80
48	5.33	1.71	6.94	2.15	7.12	2.49	7.27	2.68	7.48	2.71	7.89	2.76	8.37	2.78	
9 + 24	20	5.68	1.20	7.39	1.50	8.68	1.74	9.67	1.91	10.00	1.93	10.66	1.97	11.41	1.98
	25	5.68	1.41	7.39	1.77	8.68	2.05	9.67	2.25	10.00	2.27	10.66	2.32	11.41	2.33
	32	5.68	1.71	7.39	2.15	8.68	2.49	9.67	2.73	10.00	2.76	10.66	2.81	11.41	2.83
	35	5.68	1.84	7.39	2.31	8.68	2.68	9.67	2.94	10.00	2.97	10.66	3.03	11.41	3.04
	40	5.68	1.87	7.39	2.34	8.68	2.72	9.19	2.98	9.50	3.01	10.13	3.07	10.84	3.09
	43	5.68	1.88	7.39	2.36	8.68	2.74	8.71	3.00	9.01	3.03	9.60	3.09	10.27	3.11
	46	5.68	1.90	7.39	2.38	8.06	2.76	8.22	3.03	8.50	3.06	9.06	3.12	9.70	3.14
48	5.68	1.91	7.39	2.40	7.58	2.78	7.74	3.00	7.96	3.03	8.40	3.09	8.91	3.10	
18 + 18	20	6.19	1.36	8.06	1.71	9.47	1.98	10.55	2.17	10.91	2.19	11.63	2.24	12.45	2.25
	25	6.19	1.61	8.06	2.02	9.47	2.34	10.55	2.56	10.91	2.59	11.63	2.64	12.45	2.66
	32	6.19	1.95	8.06	2.45	9.47	2.84	10.55	3.11	10.91	3.14	11.63	3.20	12.45	3.22
	35	6.19	2.10	8.06	2.63	9.47	3.05	10.55	3.34	10.91	3.38	11.63	3.45	12.45	3.47
	40	6.19	2.13	8.06	2.67	9.47	3.09	10.02	3.39	10.36	3.42	11.05	3.49	11.83	3.51
	43	6.19	2.14	8.06	2.69	9.47	3.12	9.50	3.42	9.82	3.45	10.47	3.52	11.20	3.54
	46	6.19	2.16	8.06	2.71	8.79	3.14	8.97	3.45	9.28	3.48	9.89	3.55	10.58	3.57
48	6.19	2.18	8.06	2.73	8.27	3.17	8.44	3.41	8.68	3.44	9.16	3.51	9.72	3.53	
12 + 24	20	6.19	1.41	8.06	1.76	9.47	2.04	10.55	2.24	10.91	2.26	11.63	2.31	12.45	2.32
	25	6.19	1.66	8.06	2.08	9.47	2.41	10.55	2.64	10.91	2.67	11.63	2.72	12.45	2.74
	32	6.19	2.01	8.06	2.53	9.47	2.93	10.55	3.21	10.91	3.24	11.63	3.31	12.45	3.33
	35	6.19	2.16	8.06	2.72	9.47	3.15	10.55	3.45	10.91	3.49	11.63	3.56	12.45	3.58
	40	6.19	2.19	8.06	2.75	9.47	3.19	10.02	3.50	10.36	3.53	11.05	3.60	11.83	3.63

7. Capacity Tables

Combi.	Outdoor Air Temp. (°C, DB)	Indoor Air Temp. (°C, DB/WB)													
		20.0 / 14.0		23.0 / 16.0		26.0 / 18.0		27.0 / 19.0		28.0 / 20.0		30.0 / 22.0		32.0 / 24.0	
		TC	PI	TC	PI	TC	PI	TC	PI	TC	PI	TC	PI	TC	PI
12 + 24	43	6.19	2.21	8.06	2.78	9.47	3.22	9.50	3.53	9.82	3.56	10.47	3.63	11.20	3.65
	46	6.19	2.23	8.06	2.80	8.79	3.24	8.97	3.56	9.28	3.59	9.89	3.66	10.58	3.68
	48	6.19	2.25	8.06	2.82	8.27	3.27	8.44	3.52	8.68	3.56	9.16	3.63	9.72	3.65
18 + 24	20	6.19	1.35	8.06	1.69	9.47	1.96	10.55	2.15	10.91	2.17	11.63	2.22	12.45	2.23
	25	6.19	1.59	8.06	2.00	9.47	2.32	10.55	2.54	10.91	2.57	11.63	2.62	12.45	2.63
	32	6.19	1.93	8.06	2.43	9.47	2.81	10.55	3.08	10.91	3.11	11.63	3.18	12.45	3.19
	35	6.19	2.08	8.06	2.61	9.47	3.02	10.55	3.31	10.91	3.34	11.63	3.41	12.45	3.43
	40	6.19	2.11	8.06	2.64	9.47	3.06	10.02	3.36	10.36	3.39	11.05	3.46	11.83	3.48
	43	6.19	2.12	8.06	2.67	9.47	3.09	9.50	3.39	9.82	3.42	10.47	3.49	11.20	3.51
	46	6.19	2.14	8.06	2.69	8.79	3.11	8.97	3.42	9.28	3.45	9.89	3.52	10.58	3.54
24 + 24	20	6.19	1.34	8.06	1.68	9.47	1.95	10.55	2.13	10.91	2.15	11.63	2.20	12.45	2.21
	25	6.19	1.58	8.06	1.98	9.47	2.29	10.55	2.52	10.91	2.54	11.63	2.59	12.45	2.61
	32	6.19	1.91	8.06	2.40	9.47	2.78	10.55	3.05	10.91	3.08	11.63	3.15	12.45	3.16
	35	6.19	2.06	8.06	2.58	9.47	2.99	10.55	3.28	10.91	3.31	11.63	3.38	12.45	3.40
	40	6.19	2.09	8.06	2.62	9.47	3.04	10.02	3.33	10.36	3.36	11.05	3.43	11.83	3.45
	43	6.19	2.10	8.06	2.64	9.47	3.06	9.50	3.36	9.82	3.39	10.47	3.46	11.20	3.48
	46	6.19	2.12	8.06	2.66	8.79	3.09	8.97	3.38	9.28	3.42	9.89	3.49	10.58	3.51
7 + 7 + 7	20	3.61	0.56	4.70	0.71	5.53	0.82	6.15	0.90	6.36	0.91	6.78	0.93	7.26	0.93
	25	3.61	0.66	4.70	0.83	5.53	0.97	6.15	1.06	6.36	1.07	6.78	1.09	7.26	1.10
	32	3.61	0.81	4.70	1.01	5.53	1.17	6.15	1.29	6.36	1.30	6.78	1.33	7.26	1.33
	35	3.61	0.87	4.70	1.09	5.53	1.26	6.15	1.38	6.36	1.40	6.78	1.43	7.26	1.43
	40	3.61	0.88	4.70	1.10	5.53	1.28	5.85	1.40	6.05	1.42	6.44	1.45	6.90	1.45
	43	3.61	0.89	4.70	1.11	5.53	1.29	5.54	1.41	5.73	1.43	6.11	1.46	6.54	1.47
	46	3.61	0.89	4.70	1.12	5.13	1.30	5.23	1.43	5.41	1.44	5.77	1.47	6.17	1.48
7 + 7 + 9	20	3.96	0.64	5.15	0.81	6.05	0.93	6.74	1.02	6.97	1.03	7.43	1.05	7.95	1.06
	25	3.96	0.76	5.15	0.95	6.05	1.10	6.74	1.21	6.97	1.22	7.43	1.24	7.95	1.25
	32	3.96	0.92	5.15	1.15	6.05	1.34	6.74	1.47	6.97	1.48	7.43	1.51	7.95	1.52
	35	3.96	0.99	5.15	1.24	6.05	1.44	6.74	1.58	6.97	1.59	7.43	1.62	7.95	1.63
	40	3.96	1.00	5.15	1.26	6.05	1.46	6.40	1.60	6.62	1.62	7.06	1.65	7.56	1.65
	43	3.96	1.01	5.15	1.27	6.05	1.47	6.07	1.61	6.28	1.63	6.69	1.66	7.16	1.67
	46	3.96	1.02	5.15	1.28	5.62	1.48	5.73	1.62	5.93	1.64	6.32	1.67	6.76	1.68
7 + 9 + 9	20	4.30	0.72	5.60	0.91	6.58	1.05	7.33	1.16	7.58	1.17	8.08	1.19	8.64	1.20
	25	4.30	0.85	5.60	1.07	6.58	1.24	7.33	1.36	7.58	1.37	8.08	1.40	8.64	1.41
	32	4.30	1.04	5.60	1.30	6.58	1.51	7.33	1.65	7.58	1.67	8.08	1.70	8.64	1.71
	35	4.30	1.12	5.60	1.40	6.58	1.62	7.33	1.78	7.58	1.80	8.08	1.83	8.64	1.84
	40	4.30	1.13	5.60	1.42	6.58	1.64	6.96	1.80	7.20	1.82	7.67	1.86	8.21	1.87
	43	4.30	1.14	5.60	1.43	6.58	1.66	6.60	1.82	6.82	1.84	7.27	1.87	7.78	1.88
	46	4.30	1.15	5.60	1.44	6.11	1.67	6.23	1.83	6.44	1.85	6.87	1.89	7.35	1.90
7 + 7 + 12	20	4.47	0.77	5.82	0.96	6.84	1.12	7.62	1.23	7.88	1.24	8.40	1.26	8.99	1.27
	25	4.47	0.91	5.82	1.14	6.84	1.32	7.62	1.45	7.88	1.46	8.40	1.49	8.99	1.50
	32	4.47	1.10	5.82	1.38	6.84	1.60	7.62	1.75	7.88	1.77	8.40	1.81	8.99	1.82
	35	4.47	1.18	5.82	1.48	6.84	1.72	7.62	1.89	7.88	1.91	8.40	1.94	8.99	1.95
	40	4.47	1.20	5.82	1.51	6.84	1.74	7.24	1.91	7.49	1.93	7.98	1.97	8.54	1.98
	43	4.47	1.21	5.82	1.52	6.84	1.76	6.86	1.93	7.09	1.95	7.56	1.99	8.09	2.00
	46	4.47	1.22	5.82	1.53	6.35	1.77	6.48	1.94	6.70	1.96	7.14	2.00	7.64	2.01
48	4.47	1.23	5.82	1.54	5.97	1.79	6.10	1.92	6.27	1.94	6.62	1.98	7.02	1.99	

7. Capacity Tables

Combi.	Outdoor Air Temp. (°C, DB)	Indoor Air Temp. (°C, DB/WB)													
		20.0 / 14.0		23.0 / 16.0		26.0 / 18.0		27.0 / 19.0		28.0 / 20.0		30.0 / 22.0		32.0 / 24.0	
		TC	PI	TC	PI	TC	PI	TC	PI	TC	PI	TC	PI	TC	PI
9 + 9 + 9	20	4.65	0.81	6.04	1.02	7.11	1.18	7.91	1.30	8.18	1.31	8.72	1.34	9.34	1.34
	25	4.65	0.96	6.04	1.20	7.11	1.40	7.91	1.53	8.18	1.55	8.72	1.58	9.34	1.59
	32	4.65	1.16	6.04	1.46	7.11	1.69	7.91	1.86	8.18	1.88	8.72	1.91	9.34	1.92
	35	4.65	1.25	6.04	1.57	7.11	1.82	7.91	2.00	8.18	2.02	8.72	2.06	9.34	2.07
	40	4.65	1.27	6.04	1.59	7.11	1.85	7.52	2.03	7.78	2.05	8.29	2.09	8.87	2.10
	43	4.65	1.28	6.04	1.61	7.11	1.86	7.12	2.04	7.36	2.06	7.85	2.10	8.40	2.12
	46	4.65	1.29	6.04	1.62	6.59	1.88	6.73	2.06	6.96	2.08	7.42	2.12	7.94	2.13
7 + 9 + 12	20	4.82	0.86	6.27	1.08	7.37	1.25	8.21	1.37	8.49	1.38	9.04	1.41	9.68	1.42
	25	4.82	1.01	6.27	1.27	7.37	1.48	8.21	1.62	8.49	1.64	9.04	1.67	9.68	1.68
	32	4.82	1.23	6.27	1.55	7.37	1.79	8.21	1.96	8.49	1.98	9.04	2.02	9.68	2.04
	35	4.82	1.32	6.27	1.66	7.37	1.93	8.21	2.11	8.49	2.13	9.04	2.18	9.68	2.19
	40	4.82	1.34	6.27	1.68	7.37	1.95	7.80	2.14	8.06	2.16	8.59	2.21	9.20	2.22
	43	4.82	1.35	6.27	1.70	7.37	1.97	7.39	2.16	7.64	2.18	8.14	2.22	8.71	2.24
	46	4.82	1.36	6.27	1.71	6.84	1.98	6.98	2.18	7.22	2.20	7.69	2.24	8.23	2.25
9 + 9 + 12	20	5.16	0.95	6.71	1.20	7.89	1.39	8.79	1.52	9.09	1.54	9.69	1.57	10.37	1.58
	25	5.16	1.13	6.71	1.41	7.89	1.64	8.79	1.80	9.09	1.82	9.69	1.85	10.37	1.86
	32	5.16	1.37	6.71	1.72	7.89	1.99	8.79	2.18	9.09	2.20	9.69	2.25	10.37	2.26
	35	5.16	1.47	6.71	1.85	7.89	2.14	8.79	2.34	9.09	2.37	9.69	2.42	10.37	2.43
	40	5.16	1.49	6.71	1.87	7.89	2.17	8.35	2.38	8.64	2.40	9.21	2.45	9.86	2.46
	43	5.16	1.50	6.71	1.89	7.89	2.18	7.91	2.40	8.18	2.42	8.72	2.47	9.34	2.48
	46	5.16	1.51	6.71	1.90	7.33	2.20	7.48	2.42	7.73	2.44	8.24	2.49	8.82	2.50
7 + 12 + 12	20	5.33	1.00	6.94	1.26	8.16	1.46	9.09	1.60	9.40	1.62	10.01	1.65	10.72	1.66
	25	5.33	1.18	6.94	1.49	8.16	1.72	9.09	1.89	9.40	1.91	10.01	1.95	10.72	1.96
	32	5.33	1.44	6.94	1.80	8.16	2.09	9.09	2.29	9.40	2.31	10.01	2.36	10.72	2.37
	35	5.33	1.54	6.94	1.94	8.16	2.25	9.09	2.46	9.40	2.49	10.01	2.54	10.72	2.55
	40	5.33	1.57	6.94	1.97	8.16	2.28	8.63	2.50	8.92	2.52	9.51	2.57	10.18	2.59
	43	5.33	1.58	6.94	1.98	8.16	2.30	8.18	2.52	8.46	2.54	9.01	2.59	9.65	2.61
	46	5.33	1.59	6.94	2.00	7.57	2.31	7.72	2.54	7.98	2.57	8.51	2.62	9.11	2.63
7 + 7 + 18	20	5.51	1.03	7.16	1.30	8.42	1.51	9.38	1.65	9.70	1.67	10.34	1.70	11.06	1.71
	25	5.51	1.22	7.16	1.53	8.42	1.78	9.38	1.95	9.70	1.97	10.34	2.01	11.06	2.02
	32	5.51	1.48	7.16	1.86	8.42	2.15	9.38	2.36	9.70	2.39	10.34	2.44	11.06	2.45
	35	5.51	1.59	7.16	2.00	8.42	2.32	9.38	2.54	9.70	2.57	10.34	2.62	11.06	2.63
	40	5.51	1.62	7.16	2.03	8.42	2.35	8.91	2.58	9.21	2.60	9.82	2.65	10.51	2.67
	43	5.51	1.63	7.16	2.04	8.42	2.37	8.44	2.60	8.73	2.63	9.30	2.68	9.96	2.69
	46	5.51	1.64	7.16	2.06	7.81	2.39	7.97	2.62	8.24	2.65	8.79	2.70	9.41	2.71
9 + 12 + 12	20	5.68	1.11	7.39	1.39	8.68	1.62	9.67	1.77	10.00	1.79	10.66	1.82	11.41	1.84
	25	5.68	1.31	7.39	1.64	8.68	1.91	9.67	2.09	10.00	2.11	10.66	2.15	11.41	2.17
	32	5.68	1.59	7.39	2.00	8.68	2.31	9.67	2.54	10.00	2.56	10.66	2.61	11.41	2.63
	35	5.68	1.71	7.39	2.15	8.68	2.49	9.67	2.73	10.00	2.76	10.66	2.81	11.41	2.83
	40	5.68	1.73	7.39	2.18	8.68	2.52	9.19	2.77	9.50	2.80	10.13	2.85	10.84	2.86
	43	5.68	1.75	7.39	2.19	8.68	2.54	8.71	2.79	9.01	2.82	9.60	2.87	10.27	2.89
	46	5.68	1.76	7.39	2.21	8.06	2.56	8.22	2.81	8.50	2.84	9.06	2.89	9.70	2.91
7 + 9 + 18	20	5.85	1.20	7.61	1.51	8.95	1.75	9.96	1.91	10.30	1.93	10.98	1.97	11.76	1.98
	25	5.85	1.42	7.61	1.78	8.95	2.06	9.96	2.26	10.30	2.28	10.98	2.33	11.76	2.34
	32	5.85	1.72	7.61	2.16	8.95	2.50	9.96	2.74	10.30	2.77	10.98	2.82	11.76	2.84

7. Capacity Tables

Combi.	Outdoor Air Temp. (°C, DB)	Indoor Air Temp. (°C, DB/WB)													
		20.0 / 14.0		23.0 / 16.0		26.0 / 18.0		27.0 / 19.0		28.0 / 20.0		30.0 / 22.0		32.0 / 24.0	
		TC	PI	TC	PI	TC	PI	TC	PI	TC	PI	TC	PI	TC	PI
7 + 9 + 18	35	5.85	1.85	7.61	2.32	8.95	2.69	9.96	2.95	10.30	2.98	10.98	3.04	11.76	3.05
	40	5.85	1.87	7.61	2.35	8.95	2.72	9.47	2.99	9.79	3.02	10.43	3.08	11.17	3.10
	43	5.85	1.89	7.61	2.37	8.95	2.75	8.97	3.01	9.28	3.04	9.89	3.10	10.58	3.12
	46	5.85	1.90	7.61	2.39	8.30	2.77	8.47	3.04	8.76	3.07	9.34	3.13	10.00	3.15
	48	5.85	1.92	7.61	2.41	7.81	2.79	7.97	3.01	8.20	3.04	8.65	3.10	9.18	3.12
9 + 9 + 18	20	6.19	1.33	8.06	1.67	9.47	1.93	10.55	2.12	10.91	2.14	11.63	2.18	12.45	2.19
	25	6.19	1.57	8.06	1.97	9.47	2.28	10.55	2.50	10.91	2.52	11.63	2.57	12.45	2.59
	32	6.19	1.90	8.06	2.39	9.47	2.76	10.55	3.03	10.91	3.06	11.63	3.12	12.45	3.14
	35	6.19	2.04	8.06	2.57	9.47	2.97	10.55	3.26	10.91	3.29	11.63	3.36	12.45	3.38
	40	6.19	2.07	8.06	2.60	9.47	3.01	10.02	3.30	10.36	3.33	11.05	3.40	11.83	3.42
	43	6.19	2.09	8.06	2.62	9.47	3.04	9.50	3.33	9.82	3.36	10.47	3.43	11.20	3.45
	46	6.19	2.11	8.06	2.64	8.79	3.06	8.97	3.36	9.28	3.39	9.89	3.46	10.58	3.48
12 + 12 + 1 ²	20	6.19	1.35	8.06	1.70	9.47	1.97	10.55	2.16	10.91	2.18	11.63	2.23	12.45	2.24
	25	6.19	1.60	8.06	2.01	9.47	2.32	10.55	2.55	10.91	2.58	11.63	2.63	12.45	2.64
	32	6.19	1.94	8.06	2.43	9.47	2.82	10.55	3.09	10.91	3.12	11.63	3.19	12.45	3.20
	35	6.19	2.08	8.06	2.62	9.47	3.03	10.55	3.33	10.91	3.36	11.63	3.43	12.45	3.45
	40	6.19	2.11	8.06	2.65	9.47	3.07	10.02	3.37	10.36	3.40	11.05	3.47	11.83	3.49
	43	6.19	2.13	8.06	2.68	9.47	3.10	9.50	3.40	9.82	3.43	10.47	3.50	11.20	3.52
	46	6.19	2.15	8.06	2.70	8.79	3.12	8.97	3.43	9.28	3.46	9.89	3.53	10.58	3.55
7 + 12 + 18	20	6.19	1.33	8.06	1.66	9.47	1.93	10.55	2.11	10.91	2.13	11.63	2.18	12.45	2.19
	25	6.19	1.56	8.06	1.96	9.47	2.27	10.55	2.49	10.91	2.52	11.63	2.57	12.45	2.58
	32	6.19	1.90	8.06	2.38	9.47	2.76	10.55	3.03	10.91	3.06	11.63	3.12	12.45	3.14
	35	6.19	2.04	8.06	2.56	9.47	2.97	10.55	3.25	10.91	3.28	11.63	3.35	12.45	3.37
	40	6.19	2.07	8.06	2.60	9.47	3.01	10.02	3.30	10.36	3.33	11.05	3.40	11.83	3.42
	43	6.19	2.09	8.06	2.62	9.47	3.03	9.50	3.33	9.82	3.36	10.47	3.43	11.20	3.45
	46	6.19	2.10	8.06	2.64	8.79	3.06	8.97	3.35	9.28	3.38	9.89	3.45	10.58	3.47
7 + 7 + 24	20	6.19	1.32	8.06	1.66	9.47	1.92	10.55	2.11	10.91	2.13	11.63	2.17	12.45	2.19
	25	6.19	1.56	8.06	1.96	9.47	2.27	10.55	2.49	10.91	2.52	11.63	2.57	12.45	2.58
	32	6.19	1.89	8.06	2.38	9.47	2.76	10.55	3.02	10.91	3.05	11.63	3.11	12.45	3.13
	35	6.19	2.04	8.06	2.56	9.47	2.96	10.55	3.25	10.91	3.28	11.63	3.35	12.45	3.37
	40	6.19	2.07	8.06	2.59	9.47	3.00	10.02	3.29	10.36	3.32	11.05	3.39	11.83	3.41
	43	6.19	2.08	8.06	2.61	9.47	3.03	9.50	3.32	9.82	3.35	10.47	3.42	11.20	3.44
	46	6.19	2.10	8.06	2.64	8.79	3.05	8.97	3.35	9.28	3.38	9.89	3.45	10.58	3.47
9 + 12 + 18	20	6.19	1.32	8.06	1.66	9.47	1.92	10.55	2.11	10.91	2.13	11.63	2.17	12.45	2.19
	25	6.19	1.56	8.06	1.96	9.47	2.27	10.55	2.49	10.91	2.51	11.63	2.56	12.45	2.58
	32	6.19	1.89	8.06	2.37	9.47	2.75	10.55	3.02	10.91	3.05	11.63	3.11	12.45	3.13
	35	6.19	2.03	8.06	2.55	9.47	2.96	10.55	3.25	10.91	3.28	11.63	3.34	12.45	3.36
	40	6.19	2.06	8.06	2.59	9.47	3.00	10.02	3.29	10.36	3.32	11.05	3.39	11.83	3.41
	43	6.19	2.08	8.06	2.61	9.47	3.02	9.50	3.32	9.82	3.35	10.47	3.42	11.20	3.44
	46	6.19	2.10	8.06	2.63	8.79	3.05	8.97	3.34	9.28	3.37	9.89	3.44	10.58	3.46
7 + 9 + 24	20	6.19	1.32	8.06	1.66	9.47	1.92	10.55	2.10	10.91	2.12	11.63	2.17	12.45	2.18
	25	6.19	1.56	8.06	1.95	9.47	2.26	10.55	2.48	10.91	2.51	11.63	2.56	12.45	2.57
	32	6.19	1.89	8.06	2.37	9.47	2.75	10.55	3.01	10.91	3.04	11.63	3.10	12.45	3.12
	35	6.19	2.03	8.06	2.55	9.47	2.95	10.55	3.24	10.91	3.27	11.63	3.34	12.45	3.36
	40	6.19	2.06	8.06	2.58	9.47	2.99	10.02	3.28	10.36	3.31	11.05	3.38	11.83	3.40
	43	6.19	2.08	8.06	2.61	9.47	3.02	9.50	3.31	9.82	3.34	10.47	3.41	11.20	3.43

7. Capacity Tables

Combi.	Outdoor Air Temp. (°C, DB)	Indoor Air Temp. (°C, DB/WB)													
		20.0 / 14.0		23.0 / 16.0		26.0 / 18.0		27.0 / 19.0		28.0 / 20.0		30.0 / 22.0		32.0 / 24.0	
		TC	PI	TC	PI	TC	PI	TC	PI	TC	PI	TC	PI	TC	PI
7 + 9 + 24	46	6.19	2.09	8.06	2.63	8.79	3.04	8.97	3.34	9.28	3.37	9.89	3.44	10.58	3.46
	48	6.19	2.11	8.06	2.65	8.27	3.07	8.44	3.31	8.68	3.34	9.16	3.40	9.72	3.42
9 + 9 + 24	20	6.19	1.32	8.06	1.65	9.47	1.91	10.55	2.10	10.91	2.12	11.63	2.16	12.45	2.17
	25	6.19	1.55	8.06	1.95	9.47	2.26	10.55	2.48	10.91	2.50	11.63	2.55	12.45	2.56
	32	6.19	1.88	8.06	2.36	9.47	2.74	10.55	3.00	10.91	3.03	11.63	3.09	12.45	3.11
	35	6.19	2.02	8.06	2.54	9.47	2.95	10.55	3.23	10.91	3.26	11.63	3.33	12.45	3.35
	40	6.19	2.05	8.06	2.58	9.47	2.99	10.02	3.28	10.36	3.31	11.05	3.37	11.83	3.39
	43	6.19	2.07	8.06	2.60	9.47	3.01	9.50	3.30	9.82	3.33	10.47	3.40	11.20	3.42
	46	6.19	2.09	8.06	2.62	8.79	3.03	8.97	3.33	9.28	3.36	9.89	3.43	10.58	3.45
	48	6.19	2.10	8.06	2.64	8.27	3.06	8.44	3.30	8.68	3.33	9.16	3.39	9.72	3.41
12 + 12 + 18	20	6.19	1.32	8.06	1.65	9.47	1.91	10.55	2.10	10.91	2.12	11.63	2.16	12.45	2.17
	25	6.19	1.55	8.06	1.95	9.47	2.26	10.55	2.48	10.91	2.50	11.63	2.55	12.45	2.56
	32	6.19	1.88	8.06	2.36	9.47	2.74	10.55	3.00	10.91	3.03	11.63	3.09	12.45	3.11
	35	6.19	2.02	8.06	2.54	9.47	2.95	10.55	3.23	10.91	3.26	11.63	3.33	12.45	3.35
	40	6.19	2.05	8.06	2.58	9.47	2.99	10.02	3.28	10.36	3.31	11.05	3.37	11.83	3.39
	43	6.19	2.07	8.06	2.60	9.47	3.01	9.50	3.30	9.82	3.33	10.47	3.40	11.20	3.42
	46	6.19	2.09	8.06	2.62	8.79	3.03	8.97	3.33	9.28	3.36	9.89	3.43	10.58	3.45
	48	6.19	2.10	8.06	2.64	8.27	3.06	8.44	3.30	8.68	3.33	9.16	3.39	9.72	3.41
7 + 12 + 24	20	6.19	1.31	8.06	1.65	9.47	1.91	10.55	2.10	10.91	2.12	11.63	2.16	12.45	2.17
	25	6.19	1.55	8.06	1.95	9.47	2.25	10.55	2.47	10.91	2.50	11.63	2.55	12.45	2.56
	32	6.19	1.88	8.06	2.36	9.47	2.73	10.55	3.00	10.91	3.03	11.63	3.09	12.45	3.11
	35	6.19	2.02	8.06	2.54	9.47	2.94	10.55	3.23	10.91	3.26	11.63	3.32	12.45	3.34
	40	6.19	2.05	8.06	2.57	9.47	2.98	10.02	3.27	10.36	3.30	11.05	3.37	11.83	3.39
	43	6.19	2.07	8.06	2.59	9.47	3.01	9.50	3.30	9.82	3.33	10.47	3.40	11.20	3.42
	46	6.19	2.08	8.06	2.62	8.79	3.03	8.97	3.32	9.28	3.35	9.89	3.42	10.58	3.44
	48	6.19	2.10	8.06	2.64	8.27	3.05	8.44	3.29	8.68	3.32	9.16	3.39	9.72	3.41
7 + 18 + 18	20	6.19	1.29	8.06	1.61	9.47	1.87	10.55	2.05	10.91	2.07	11.63	2.11	12.45	2.13
	25	6.19	1.52	8.06	1.91	9.47	2.21	10.55	2.42	10.91	2.44	11.63	2.49	12.45	2.51
	32	6.19	1.84	8.06	2.31	9.47	2.68	10.55	2.94	10.91	2.97	11.63	3.03	12.45	3.04
	35	6.19	1.98	8.06	2.49	9.47	2.88	10.55	3.16	10.91	3.19	11.63	3.26	12.45	3.27
	40	6.19	2.01	8.06	2.52	9.47	2.92	10.02	3.20	10.36	3.23	11.05	3.30	11.83	3.32
	43	6.19	2.02	8.06	2.54	9.47	2.94	9.50	3.23	9.82	3.26	10.47	3.33	11.20	3.35
	46	6.19	2.04	8.06	2.56	8.79	2.97	8.97	3.26	9.28	3.29	9.89	3.35	10.58	3.37
	48	6.19	2.06	8.06	2.58	8.27	2.99	8.44	3.22	8.68	3.25	9.16	3.32	9.72	3.34
9 + 12 + 24	20	6.19	1.31	8.06	1.64	9.47	1.90	10.55	2.09	10.91	2.11	11.63	2.15	12.45	2.16
	25	6.19	1.54	8.06	1.94	9.47	2.25	10.55	2.46	10.91	2.49	11.63	2.54	12.45	2.55
	32	6.19	1.87	8.06	2.35	9.47	2.73	10.55	2.99	10.91	3.02	11.63	3.08	12.45	3.10
	35	6.19	2.02	8.06	2.53	9.47	2.93	10.55	3.22	10.91	3.25	11.63	3.31	12.45	3.33
	40	6.19	2.04	8.06	2.57	9.47	2.97	10.02	3.26	10.36	3.29	11.05	3.36	11.83	3.38
	43	6.19	2.06	8.06	2.59	9.47	3.00	9.50	3.29	9.82	3.32	10.47	3.39	11.20	3.41
	46	6.19	2.08	8.06	2.61	8.79	3.02	8.97	3.31	9.28	3.34	9.89	3.41	10.58	3.43
	48	6.19	2.09	8.06	2.63	8.27	3.05	8.44	3.28	8.68	3.31	9.16	3.38	9.72	3.40
9 + 18 + 18	20	6.19	1.28	8.06	1.61	9.47	1.87	10.55	2.05	10.91	2.07	11.63	2.11	12.45	2.12
	25	6.19	1.51	8.06	1.90	9.47	2.20	10.55	2.41	10.91	2.44	11.63	2.49	12.45	2.50
	32	6.19	1.84	8.06	2.31	9.47	2.67	10.55	2.93	10.91	2.96	11.63	3.02	12.45	3.04
	35	6.19	1.97	8.06	2.48	9.47	2.87	10.55	3.15	10.91	3.18	11.63	3.25	12.45	3.26
	40	6.19	2.00	8.06	2.51	9.47	2.91	10.02	3.19	10.36	3.22	11.05	3.29	11.83	3.31
	43	6.19	2.02	8.06	2.53	9.47	2.94	9.50	3.22	9.82	3.25	10.47	3.32	11.20	3.34
	46	6.19	2.03	8.06	2.55	8.79	2.96	8.97	3.25	9.28	3.28	9.89	3.34	10.58	3.36
	48	6.19	2.05	8.06	2.58	8.27	2.98	8.44	3.21	8.68	3.24	9.16	3.31	9.72	3.33
12 + 12 + 24	20	6.19	1.30	8.06	1.64	9.47	1.90	10.55	2.08	10.91	2.10	11.63	2.14	12.45	2.15

7. Capacity Tables

Combi.	Outdoor Air Temp. (°C, DB)	Indoor Air Temp. (°C, DB/WB)													
		20.0 / 14.0		23.0 / 16.0		26.0 / 18.0		27.0 / 19.0		28.0 / 20.0		30.0 / 22.0		32.0 / 24.0	
		TC	PI	TC	PI	TC	PI	TC	PI	TC	PI	TC	PI	TC	PI
12 + 12 + 2 4	25	6.19	1.54	8.06	1.93	9.47	2.24	10.55	2.45	10.91	2.48	11.63	2.53	12.45	2.54
	32	6.19	1.87	8.06	2.34	9.47	2.71	10.55	2.98	10.91	3.01	11.63	3.07	12.45	3.08
	35	6.19	2.01	8.06	2.52	9.47	2.92	10.55	3.20	10.91	3.23	11.63	3.30	12.45	3.32
	40	6.19	2.03	8.06	2.55	9.47	2.96	10.02	3.25	10.36	3.28	11.05	3.34	11.83	3.36
	43	6.19	2.05	8.06	2.57	9.47	2.98	9.50	3.27	9.82	3.30	10.47	3.37	11.20	3.39
	46	6.19	2.07	8.06	2.60	8.79	3.01	8.97	3.30	9.28	3.33	9.89	3.40	10.58	3.42
	48	6.19	2.08	8.06	2.62	8.27	3.03	8.44	3.27	8.68	3.30	9.16	3.36	9.72	3.38
12 + 18 + 1 8	20	6.19	1.28	8.06	1.60	9.47	1.86	10.55	2.04	10.91	2.06	11.63	2.10	12.45	2.11
	25	6.19	1.51	8.06	1.89	9.47	2.19	10.55	2.40	10.91	2.43	11.63	2.48	12.45	2.49
	32	6.19	1.83	8.06	2.29	9.47	2.66	10.55	2.92	10.91	2.95	11.63	3.00	12.45	3.02
	35	6.19	1.97	8.06	2.47	9.47	2.86	10.55	3.14	10.91	3.17	11.63	3.23	12.45	3.25
	40	6.19	1.99	8.06	2.50	9.47	2.90	10.02	3.18	10.36	3.21	11.05	3.28	11.83	3.29
	43	6.19	2.01	8.06	2.52	9.47	2.92	9.50	3.21	9.82	3.24	10.47	3.30	11.20	3.32
	46	6.19	2.03	8.06	2.54	8.79	2.95	8.97	3.23	9.28	3.26	9.89	3.33	10.58	3.35
7 + 18 + 24	20	6.19	1.27	8.06	1.60	9.47	1.85	10.55	2.03	10.91	2.05	11.63	2.10	12.45	2.11
	25	6.19	1.50	8.06	1.89	9.47	2.19	10.55	2.40	10.91	2.42	11.63	2.47	12.45	2.49
	32	6.19	1.83	8.06	2.29	9.47	2.65	10.55	2.91	10.91	2.94	11.63	3.00	12.45	3.02
	35	6.19	1.96	8.06	2.46	9.47	2.85	10.55	3.13	10.91	3.16	11.63	3.23	12.45	3.24
	40	6.19	1.99	8.06	2.50	9.47	2.89	10.02	3.17	10.36	3.20	11.05	3.27	11.83	3.29
	43	6.19	2.01	8.06	2.52	9.47	2.92	9.50	3.20	9.82	3.23	10.47	3.30	11.20	3.32
	46	6.19	2.02	8.06	2.54	8.79	2.94	8.97	3.23	9.28	3.26	9.89	3.32	10.58	3.34
9 + 18 + 24	20	6.19	1.27	8.06	1.60	9.47	1.85	10.55	2.03	10.91	2.05	11.63	2.09	12.45	2.10
	25	6.19	1.50	8.06	1.88	9.47	2.18	10.55	2.39	10.91	2.41	11.63	2.46	12.45	2.48
	32	6.19	1.82	8.06	2.28	9.47	2.65	10.55	2.90	10.91	2.93	11.63	2.99	12.45	3.01
	35	6.19	1.96	8.06	2.46	9.47	2.85	10.55	3.12	10.91	3.15	11.63	3.22	12.45	3.23
	40	6.19	1.98	8.06	2.49	9.47	2.89	10.02	3.17	10.36	3.20	11.05	3.26	11.83	3.28
	43	6.19	2.00	8.06	2.51	9.47	2.91	9.50	3.19	9.82	3.22	10.47	3.29	11.20	3.31
	46	6.19	2.02	8.06	2.53	8.79	2.93	8.97	3.22	9.28	3.25	9.89	3.31	10.58	3.33
12 + 18 + 2 4	20	6.19	1.27	8.06	1.59	9.47	1.84	10.55	2.02	10.91	2.04	11.63	2.08	12.45	2.09
	25	6.19	1.49	8.06	1.87	9.47	2.17	10.55	2.38	10.91	2.40	11.63	2.45	12.45	2.47
	32	6.19	1.81	8.06	2.27	9.47	2.63	10.55	2.89	10.91	2.92	11.63	2.98	12.45	2.99
	35	6.19	1.95	8.06	2.45	9.47	2.83	10.55	3.11	10.91	3.14	11.63	3.20	12.45	3.22
	40	6.19	1.98	8.06	2.48	9.47	2.87	10.02	3.15	10.36	3.18	11.05	3.25	11.83	3.26
	43	6.19	1.99	8.06	2.50	9.47	2.90	9.50	3.18	9.82	3.21	10.47	3.27	11.20	3.29
	46	6.19	2.01	8.06	2.52	8.79	2.92	8.97	3.20	9.28	3.23	9.89	3.30	10.58	3.32
18 + 18 + 1 8	20	6.19	1.24	8.06	1.56	9.47	1.80	10.55	1.98	10.91	2.00	11.63	2.04	12.45	2.05
	25	6.19	1.46	8.06	1.84	9.47	2.13	10.55	2.33	10.91	2.35	11.63	2.40	12.45	2.42
	32	6.19	1.77	8.06	2.23	9.47	2.58	10.55	2.83	10.91	2.86	11.63	2.92	12.45	2.93
	35	6.19	1.91	8.06	2.39	9.47	2.77	10.55	3.04	10.91	3.07	11.63	3.14	12.45	3.15
	40	6.19	1.93	8.06	2.43	9.47	2.81	10.02	3.09	10.36	3.12	11.05	3.18	11.83	3.20
	43	6.19	1.95	8.06	2.45	9.47	2.84	9.50	3.11	9.82	3.14	10.47	3.20	11.20	3.22
	46	6.19	1.97	8.06	2.47	8.79	2.86	8.97	3.14	9.28	3.17	9.89	3.23	10.58	3.25
7 + 24 + 24	20	6.19	1.26	8.06	1.59	9.47	1.84	10.55	2.02	10.91	2.04	11.63	2.08	12.45	2.09
	25	6.19	1.49	8.06	1.87	9.47	2.17	10.55	2.38	10.91	2.40	11.63	2.45	12.45	2.46
	32	6.19	1.81	8.06	2.27	9.47	2.63	10.55	2.89	10.91	2.92	11.63	2.97	12.45	2.99
	35	6.19	1.95	8.06	2.44	9.47	2.83	10.55	3.10	10.91	3.13	11.63	3.20	12.45	3.22

7. Capacity Tables

Combi.	Outdoor Air Temp. (°C, DB)	Indoor Air Temp. (°C, DB/WB)													
		20.0 / 14.0		23.0 / 16.0		26.0 / 18.0		27.0 / 19.0		28.0 / 20.0		30.0 / 22.0		32.0 / 24.0	
		TC	PI	TC	PI	TC	PI	TC	PI	TC	PI	TC	PI	TC	PI
7 + 24 + 24	40	6.19	1.97	8.06	2.48	9.47	2.87	10.02	3.15	10.36	3.18	11.05	3.24	11.83	3.26
	43	6.19	1.99	8.06	2.50	9.47	2.89	9.50	3.17	9.82	3.20	10.47	3.27	11.20	3.29
	46	6.19	2.00	8.06	2.52	8.79	2.92	8.97	3.20	9.28	3.23	9.89	3.29	10.58	3.31
	48	6.19	2.02	8.06	2.54	8.27	2.94	8.44	3.17	8.68	3.20	9.16	3.26	9.72	3.28
9 + 24 + 24	20	6.19	1.26	8.06	1.58	9.47	1.83	10.55	2.01	10.91	2.03	11.63	2.07	12.45	2.08
	25	6.19	1.49	8.06	1.87	9.47	2.16	10.55	2.37	10.91	2.39	11.63	2.44	12.45	2.46
	32	6.19	1.80	8.06	2.26	9.47	2.62	10.55	2.88	10.91	2.91	11.63	2.96	12.45	2.98
	35	6.19	1.94	8.06	2.43	9.47	2.82	10.55	3.09	10.91	3.12	11.63	3.19	12.45	3.21
	40	6.19	1.97	8.06	2.47	9.47	2.86	10.02	3.14	10.36	3.17	11.05	3.23	11.83	3.25
	43	6.19	1.98	8.06	2.49	9.47	2.88	9.50	3.16	9.82	3.19	10.47	3.26	11.20	3.28
	46	6.19	2.00	8.06	2.51	8.79	2.91	8.97	3.19	9.28	3.22	9.89	3.28	10.58	3.30
	48	6.19	2.01	8.06	2.53	8.27	2.93	8.44	3.16	8.68	3.19	9.16	3.25	9.72	3.27
7 + 7 + 7 + 7	20	4.82	0.84	6.27	1.05	7.37	1.22	8.21	1.33	8.49	1.35	9.04	1.38	9.68	1.38
	25	4.82	0.99	6.27	1.24	7.37	1.44	8.21	1.57	8.49	1.59	9.04	1.62	9.68	1.63
	32	4.82	1.20	6.27	1.50	7.37	1.74	8.21	1.91	8.49	1.93	9.04	1.97	9.68	1.98
	35	4.82	1.29	6.27	1.62	7.37	1.87	8.21	2.06	8.49	2.08	9.04	2.12	9.68	2.13
	40	4.82	1.31	6.27	1.64	7.37	1.90	7.80	2.08	8.06	2.10	8.59	2.15	9.20	2.16
	43	4.82	1.32	6.27	1.65	7.37	1.91	7.39	2.10	7.64	2.12	8.14	2.16	8.71	2.18
	46	4.82	1.33	6.27	1.67	6.84	1.93	6.98	2.12	7.22	2.14	7.69	2.18	8.23	2.19
	48	4.82	1.34	6.27	1.68	6.43	1.95	6.57	2.10	6.76	2.12	7.13	2.16	7.56	2.17
7 + 7 + 7 + 9	20	5.16	0.93	6.71	1.17	7.89	1.35	8.79	1.48	9.09	1.50	9.69	1.53	10.37	1.54
	25	5.16	1.10	6.71	1.38	7.89	1.60	8.79	1.75	9.09	1.77	9.69	1.80	10.37	1.81
	32	5.16	1.33	6.71	1.67	7.89	1.94	8.79	2.12	9.09	2.14	9.69	2.19	10.37	2.20
	35	5.16	1.43	6.71	1.80	7.89	2.08	8.79	2.28	9.09	2.30	9.69	2.35	10.37	2.37
	40	5.16	1.45	6.71	1.82	7.89	2.11	8.35	2.32	8.64	2.34	9.21	2.38	9.86	2.40
	43	5.16	1.46	6.71	1.84	7.89	2.13	7.91	2.33	8.18	2.35	8.72	2.40	9.34	2.42
	46	5.16	1.47	6.71	1.85	7.33	2.15	7.48	2.35	7.73	2.37	8.24	2.42	8.82	2.44
	48	5.16	1.49	6.71	1.87	6.89	2.16	7.03	2.33	7.23	2.35	7.64	2.40	8.10	2.41
7 + 7 + 9 + 9	20	5.51	1.02	7.16	1.28	8.42	1.49	9.38	1.63	9.70	1.65	10.34	1.68	11.06	1.69
	25	5.51	1.21	7.16	1.51	8.42	1.75	9.38	1.92	9.70	1.94	10.34	1.98	11.06	1.99
	32	5.51	1.46	7.16	1.84	8.42	2.13	9.38	2.34	9.70	2.36	10.34	2.41	11.06	2.42
	35	5.51	1.57	7.16	1.98	8.42	2.29	9.38	2.51	9.70	2.54	10.34	2.59	11.06	2.60
	40	5.51	1.60	7.16	2.00	8.42	2.32	8.91	2.55	9.21	2.57	9.82	2.62	10.51	2.64
	43	5.51	1.61	7.16	2.02	8.42	2.34	8.44	2.57	8.73	2.59	9.30	2.64	9.96	2.66
	46	5.51	1.62	7.16	2.04	7.81	2.36	7.97	2.59	8.24	2.62	8.79	2.67	9.41	2.68
	48	5.51	1.64	7.16	2.05	7.35	2.38	7.50	2.56	7.71	2.59	8.14	2.64	8.64	2.65
7 + 7 + 7 + 12	20	5.68	1.07	7.39	1.35	8.68	1.56	9.67	1.71	10.00	1.73	10.66	1.77	11.41	1.78
	25	5.68	1.27	7.39	1.59	8.68	1.84	9.67	2.02	10.00	2.04	10.66	2.08	11.41	2.09
	32	5.68	1.54	7.39	1.93	8.68	2.24	9.67	2.45	10.00	2.48	10.66	2.53	11.41	2.54
	35	5.68	1.65	7.39	2.08	8.68	2.41	9.67	2.64	10.00	2.67	10.66	2.72	11.41	2.73
	40	5.68	1.68	7.39	2.10	8.68	2.44	9.19	2.67	9.50	2.70	10.13	2.76	10.84	2.77
	43	5.68	1.69	7.39	2.12	8.68	2.46	8.71	2.70	9.01	2.73	9.60	2.78	10.27	2.79
	46	5.68	1.70	7.39	2.14	8.06	2.48	8.22	2.72	8.50	2.75	9.06	2.80	9.70	2.82
	48	5.68	1.72	7.39	2.16	7.58	2.50	7.74	2.69	7.96	2.72	8.40	2.77	8.91	2.79
7 + 9 + 9 + 9	20	5.85	1.13	7.61	1.42	8.95	1.64	9.96	1.80	10.30	1.82	10.98	1.85	11.76	1.86
	25	5.85	1.33	7.61	1.67	8.95	1.93	9.96	2.12	10.30	2.14	10.98	2.19	11.76	2.20
	32	5.85	1.61	7.61	2.03	8.95	2.35	9.96	2.57	10.30	2.60	10.98	2.65	11.76	2.67
	35	5.85	1.74	7.61	2.18	8.95	2.52	9.96	2.77	10.30	2.80	10.98	2.85	11.76	2.87
	40	5.85	1.76	7.61	2.21	8.95	2.56	9.47	2.81	9.79	2.84	10.43	2.89	11.17	2.91
	43	5.85	1.77	7.61	2.23	8.95	2.58	8.97	2.83	9.28	2.86	9.89	2.92	10.58	2.93
	46	5.85	1.79	7.61	2.24	8.30	2.60	8.47	2.85	8.76	2.88	9.34	2.94	10.00	2.96

7. Capacity Tables

Combi.	Outdoor Air Temp. (°C, DB)	Indoor Air Temp. (°C, DB/WB)													
		20.0 / 14.0		23.0 / 16.0		26.0 / 18.0		27.0 / 19.0		28.0 / 20.0		30.0 / 22.0		32.0 / 24.0	
		TC	PI	TC	PI	TC	PI	TC	PI	TC	PI	TC	PI	TC	PI
7 + 9 + 9 + 9	48	5.85	1.80	7.61	2.26	7.81	2.62	7.97	2.82	8.20	2.85	8.65	2.91	9.18	2.93
7 + 7 + 9 + 12	20	6.02	1.18	7.83	1.48	9.21	1.72	10.26	1.89	10.61	1.91	11.31	1.94	12.10	1.95
	25	6.02	1.39	7.83	1.75	9.21	2.03	10.26	2.22	10.61	2.24	11.31	2.29	12.10	2.30
	32	6.02	1.69	7.83	2.12	9.21	2.46	10.26	2.70	10.61	2.73	11.31	2.78	12.10	2.80
	35	6.02	1.82	7.83	2.28	9.21	2.65	10.26	2.90	10.61	2.93	11.31	2.99	12.10	3.01
	40	6.02	1.84	7.83	2.32	9.21	2.68	9.75	2.94	10.08	2.97	10.74	3.03	11.50	3.05
	43	6.02	1.86	7.83	2.33	9.21	2.70	9.23	2.97	9.55	3.00	10.18	3.06	10.89	3.07
	46	6.02	1.87	7.83	2.35	8.55	2.73	8.72	2.99	9.02	3.02	9.61	3.08	10.29	3.10
	48	6.02	1.89	7.83	2.37	8.04	2.75	8.21	2.96	8.44	2.99	8.91	3.05	9.45	3.07
9 + 9 + 9 + 9	20	6.19	1.24	8.06	1.55	9.47	1.80	10.55	1.97	10.91	1.99	11.63	2.03	12.45	2.04
	25	6.19	1.46	8.06	1.83	9.47	2.12	10.55	2.33	10.91	2.35	11.63	2.40	12.45	2.41
	32	6.19	1.77	8.06	2.22	9.47	2.57	10.55	2.82	10.91	2.85	11.63	2.91	12.45	2.93
	35	6.19	1.90	8.06	2.39	9.47	2.77	10.55	3.04	10.91	3.07	11.63	3.13	12.45	3.15
	40	6.19	1.93	8.06	2.42	9.47	2.81	10.02	3.08	10.36	3.11	11.05	3.17	11.83	3.19
	43	6.19	1.95	8.06	2.44	9.47	2.83	9.50	3.10	9.82	3.13	10.47	3.20	11.20	3.22
	46	6.19	1.96	8.06	2.46	8.79	2.85	8.97	3.13	9.28	3.16	9.89	3.22	10.58	3.24
	48	6.19	1.98	8.06	2.48	8.27	2.88	8.44	3.10	8.68	3.13	9.16	3.19	9.72	3.21
7 + 9 + 9 + 12	20	6.19	1.23	8.06	1.55	9.47	1.80	10.55	1.97	10.91	1.99	11.63	2.03	12.45	2.04
	25	6.19	1.46	8.06	1.83	9.47	2.12	10.55	2.32	10.91	2.34	11.63	2.39	12.45	2.41
	32	6.19	1.77	8.06	2.22	9.47	2.57	10.55	2.82	10.91	2.85	11.63	2.90	12.45	2.92
	35	6.19	1.90	8.06	2.39	9.47	2.76	10.55	3.03	10.91	3.06	11.63	3.12	12.45	3.14
	40	6.19	1.93	8.06	2.42	9.47	2.80	10.02	3.07	10.36	3.10	11.05	3.17	11.83	3.19
	43	6.19	1.94	8.06	2.44	9.47	2.83	9.50	3.10	9.82	3.13	10.47	3.19	11.20	3.21
	46	6.19	1.96	8.06	2.46	8.79	2.85	8.97	3.12	9.28	3.15	9.89	3.22	10.58	3.24
	48	6.19	1.97	8.06	2.48	8.27	2.87	8.44	3.09	8.68	3.12	9.16	3.19	9.72	3.20
7 + 7 + 12 + 12	20	6.19	1.23	8.06	1.55	9.47	1.79	10.55	1.97	10.91	1.99	11.63	2.03	12.45	2.04
	25	6.19	1.45	8.06	1.83	9.47	2.12	10.55	2.32	10.91	2.34	11.63	2.39	12.45	2.40
	32	6.19	1.76	8.06	2.22	9.47	2.57	10.55	2.82	10.91	2.85	11.63	2.90	12.45	2.92
	35	6.19	1.90	8.06	2.38	9.47	2.76	10.55	3.03	10.91	3.06	11.63	3.12	12.45	3.14
	40	6.19	1.92	8.06	2.42	9.47	2.80	10.02	3.07	10.36	3.10	11.05	3.16	11.83	3.18
	43	6.19	1.94	8.06	2.44	9.47	2.82	9.50	3.09	9.82	3.12	10.47	3.19	11.20	3.21
	46	6.19	1.96	8.06	2.45	8.79	2.84	8.97	3.12	9.28	3.15	9.89	3.21	10.58	3.23
	48	6.19	1.97	8.06	2.47	8.27	2.87	8.44	3.09	8.68	3.12	9.16	3.18	9.72	3.20
7 + 7 + 7 + 18	20	6.19	1.21	8.06	1.52	9.47	1.76	10.55	1.93	10.91	1.95	11.63	1.99	12.45	2.00
	25	6.19	1.43	8.06	1.80	9.47	2.08	10.55	2.28	10.91	2.30	11.63	2.35	12.45	2.36
	32	6.19	1.74	8.06	2.18	9.47	2.52	10.55	2.77	10.91	2.80	11.63	2.85	12.45	2.87
	35	6.19	1.87	8.06	2.34	9.47	2.71	10.55	2.98	10.91	3.01	11.63	3.07	12.45	3.09
	40	6.19	1.89	8.06	2.38	9.47	2.75	10.02	3.02	10.36	3.05	11.05	3.11	11.83	3.13
	43	6.19	1.91	8.06	2.39	9.47	2.77	9.50	3.04	9.82	3.07	10.47	3.14	11.20	3.15
	46	6.19	1.92	8.06	2.41	8.79	2.80	8.97	3.07	9.28	3.10	9.89	3.16	10.58	3.18
	48	6.19	1.94	8.06	2.43	8.27	2.82	8.44	3.04	8.68	3.07	9.16	3.13	9.72	3.15
9 + 9 + 9 + 12	20	6.19	1.23	8.06	1.55	9.47	1.79	10.55	1.96	10.91	1.98	11.63	2.02	12.45	2.03
	25	6.19	1.45	8.06	1.82	9.47	2.11	10.55	2.32	10.91	2.34	11.63	2.39	12.45	2.40
	32	6.19	1.76	8.06	2.21	9.47	2.56	10.55	2.81	10.91	2.84	11.63	2.90	12.45	2.91
	35	6.19	1.90	8.06	2.38	9.47	2.76	10.55	3.02	10.91	3.05	11.63	3.11	12.45	3.13
	40	6.19	1.92	8.06	2.41	9.47	2.79	10.02	3.06	10.36	3.09	11.05	3.16	11.83	3.18
	43	6.19	1.94	8.06	2.43	9.47	2.82	9.50	3.09	9.82	3.12	10.47	3.18	11.20	3.20
	46	6.19	1.95	8.06	2.45	8.79	2.84	8.97	3.11	9.28	3.14	9.89	3.21	10.58	3.23
	48	6.19	1.97	8.06	2.47	8.27	2.86	8.44	3.08	8.68	3.11	9.16	3.18	9.72	3.20
7 + 9 + 12 + 12	20	6.19	1.23	8.06	1.54	9.47	1.79	10.55	1.96	10.91	1.98	11.63	2.02	12.45	2.03
	25	6.19	1.45	8.06	1.82	9.47	2.11	10.55	2.31	10.91	2.33	11.63	2.38	12.45	2.40

7. Capacity Tables

Combi.	Outdoor Air Temp. (°C, DB)	Indoor Air Temp. (°C, DB/WB)													
		20.0 / 14.0		23.0 / 16.0		26.0 / 18.0		27.0 / 19.0		28.0 / 20.0		30.0 / 22.0		32.0 / 24.0	
		TC	PI	TC	PI	TC	PI	TC	PI	TC	PI	TC	PI	TC	PI
7 + 9 + 12 + 12	32	6.19	1.76	8.06	2.21	9.47	2.56	10.55	2.81	10.91	2.84	11.63	2.89	12.45	2.91
	35	6.19	1.89	8.06	2.38	9.47	2.75	10.55	3.02	10.91	3.05	11.63	3.11	12.45	3.13
	40	6.19	1.92	8.06	2.41	9.47	2.79	10.02	3.06	10.36	3.09	11.05	3.15	11.83	3.17
	43	6.19	1.93	8.06	2.43	9.47	2.81	9.50	3.09	9.82	3.12	10.47	3.18	11.20	3.20
	46	6.19	1.95	8.06	2.45	8.79	2.84	8.97	3.11	9.28	3.14	9.89	3.20	10.58	3.22
	48	6.19	1.97	8.06	2.47	8.27	2.86	8.44	3.08	8.68	3.11	9.16	3.17	9.72	3.19
7 + 7 + 9 + 18	20	6.19	1.21	8.06	1.52	9.47	1.76	10.55	1.93	10.91	1.95	11.63	1.99	12.45	2.00
	25	6.19	1.43	8.06	1.79	9.47	2.07	10.55	2.28	10.91	2.30	11.63	2.34	12.45	2.36
	32	6.19	1.73	8.06	2.17	9.47	2.52	10.55	2.76	10.91	2.79	11.63	2.84	12.45	2.86
	35	6.19	1.86	8.06	2.34	9.47	2.71	10.55	2.97	10.91	3.00	11.63	3.06	12.45	3.08
	40	6.19	1.89	8.06	2.37	9.47	2.74	10.02	3.01	10.36	3.04	11.05	3.10	11.83	3.12
	43	6.19	1.90	8.06	2.39	9.47	2.77	9.50	3.03	9.82	3.06	10.47	3.13	11.20	3.14
	46	6.19	1.92	8.06	2.41	8.79	2.79	8.97	3.06	9.28	3.09	9.89	3.15	10.58	3.17
48	6.19	1.93	8.06	2.43	8.27	2.81	8.44	3.03	8.68	3.06	9.16	3.12	9.72	3.14	
9 + 9 + 12 + 12	20	6.19	1.23	8.06	1.54	9.47	1.78	10.55	1.95	10.91	1.97	11.63	2.01	12.45	2.03
	25	6.19	1.45	8.06	1.81	9.47	2.10	10.55	2.31	10.91	2.33	11.63	2.38	12.45	2.39
	32	6.19	1.75	8.06	2.20	9.47	2.55	10.55	2.80	10.91	2.83	11.63	2.88	12.45	2.90
	35	6.19	1.89	8.06	2.37	9.47	2.74	10.55	3.01	10.91	3.04	11.63	3.10	12.45	3.12
	40	6.19	1.91	8.06	2.40	9.47	2.78	10.02	3.05	10.36	3.08	11.05	3.14	11.83	3.16
	43	6.19	1.93	8.06	2.42	9.47	2.80	9.50	3.08	9.82	3.11	10.47	3.17	11.20	3.19
	46	6.19	1.94	8.06	2.44	8.79	2.83	8.97	3.10	9.28	3.13	9.89	3.19	10.58	3.21
48	6.19	1.96	8.06	2.46	8.27	2.85	8.44	3.07	8.68	3.10	9.16	3.16	9.72	3.18	
7 + 9 + 9 + 18	20	6.19	1.21	8.06	1.51	9.47	1.75	10.55	1.92	10.91	1.94	11.63	1.98	12.45	1.99
	25	6.19	1.42	8.06	1.79	9.47	2.07	10.55	2.27	10.91	2.29	11.63	2.34	12.45	2.35
	32	6.19	1.73	8.06	2.17	9.47	2.51	10.55	2.75	10.91	2.78	11.63	2.84	12.45	2.85
	35	6.19	1.86	8.06	2.33	9.47	2.70	10.55	2.96	10.91	2.99	11.63	3.05	12.45	3.07
	40	6.19	1.88	8.06	2.36	9.47	2.74	10.02	3.00	10.36	3.03	11.05	3.09	11.83	3.11
	43	6.19	1.90	8.06	2.38	9.47	2.76	9.50	3.03	9.82	3.06	10.47	3.12	11.20	3.13
	46	6.19	1.91	8.06	2.40	8.79	2.78	8.97	3.05	9.28	3.08	9.89	3.14	10.58	3.16
48	6.19	1.93	8.06	2.42	8.27	2.80	8.44	3.02	8.68	3.05	9.16	3.11	9.72	3.13	
7 + 12 + 12 + 12	20	6.19	1.22	8.06	1.54	9.47	1.78	10.55	1.95	10.91	1.97	11.63	2.01	12.45	2.02
	25	6.19	1.44	8.06	1.81	9.47	2.10	10.55	2.30	10.91	2.32	11.63	2.37	12.45	2.39
	32	6.19	1.75	8.06	2.20	9.47	2.55	10.55	2.79	10.91	2.82	11.63	2.88	12.45	2.90
	35	6.19	1.88	8.06	2.36	9.47	2.74	10.55	3.01	10.91	3.04	11.63	3.10	12.45	3.11
	40	6.19	1.91	8.06	2.40	9.47	2.78	10.02	3.05	10.36	3.08	11.05	3.14	11.83	3.16
	43	6.19	1.93	8.06	2.42	9.47	2.80	9.50	3.07	9.82	3.10	10.47	3.16	11.20	3.18
	46	6.19	1.94	8.06	2.44	8.79	2.82	8.97	3.10	9.28	3.13	9.89	3.19	10.58	3.21
48	6.19	1.96	8.06	2.46	8.27	2.85	8.44	3.07	8.68	3.10	9.16	3.16	9.72	3.18	
7 + 7 + 12 + 18	20	6.19	1.20	8.06	1.51	9.47	1.75	10.55	1.92	10.91	1.94	11.63	1.98	12.45	1.99
	25	6.19	1.42	8.06	1.78	9.47	2.06	10.55	2.27	10.91	2.29	11.63	2.33	12.45	2.35
	32	6.19	1.72	8.06	2.16	9.47	2.51	10.55	2.75	10.91	2.78	11.63	2.83	12.45	2.85
	35	6.19	1.85	8.06	2.33	9.47	2.69	10.55	2.96	10.91	2.99	11.63	3.04	12.45	3.06
	40	6.19	1.88	8.06	2.36	9.47	2.73	10.02	3.00	10.36	3.03	11.05	3.09	11.83	3.10
	43	6.19	1.89	8.06	2.38	9.47	2.75	9.50	3.02	9.82	3.05	10.47	3.11	11.20	3.13
	46	6.19	1.91	8.06	2.40	8.79	2.78	8.97	3.05	9.28	3.08	9.89	3.14	10.58	3.16
48	6.19	1.92	8.06	2.42	8.27	2.80	8.44	3.01	8.68	3.04	9.16	3.11	9.72	3.12	
7 + 7 + 7 + 24	20	6.19	1.20	8.06	1.51	9.47	1.75	10.55	1.92	10.91	1.94	11.63	1.97	12.45	1.99
	25	6.19	1.42	8.06	1.78	9.47	2.06	10.55	2.26	10.91	2.28	11.63	2.33	12.45	2.34
	32	6.19	1.72	8.06	2.16	9.47	2.50	10.55	2.74	10.91	2.77	11.63	2.83	12.45	2.84
	35	6.19	1.85	8.06	2.32	9.47	2.69	10.55	2.95	10.91	2.98	11.63	3.04	12.45	3.06
	40	6.19	1.88	8.06	2.35	9.47	2.73	10.02	2.99	10.36	3.02	11.05	3.08	11.83	3.10

7. Capacity Tables

Combi.	Outdoor Air Temp. (°C, DB)	Indoor Air Temp. (°C, DB/WB)													
		20.0 / 14.0		23.0 / 16.0		26.0 / 18.0		27.0 / 19.0		28.0 / 20.0		30.0 / 22.0		32.0 / 24.0	
		TC	PI	TC	PI	TC	PI	TC	PI	TC	PI	TC	PI	TC	PI
7 + 7 + 7 + 24	43	6.19	1.89	8.06	2.37	9.47	2.75	9.50	3.02	9.82	3.05	10.47	3.11	11.20	3.13
	46	6.19	1.91	8.06	2.39	8.79	2.77	8.97	3.04	9.28	3.07	9.89	3.13	10.58	3.15
	48	6.19	1.92	8.06	2.41	8.27	2.79	8.44	3.01	8.68	3.04	9.16	3.10	9.72	3.12
9 + 9 + 9 + 18	20	6.19	1.22	8.06	1.53	9.47	1.77	10.55	1.95	10.91	1.97	11.63	2.00	12.45	2.02
	25	6.19	1.44	8.06	1.81	9.47	2.09	10.55	2.30	10.91	2.32	11.63	2.37	12.45	2.38
	32	6.19	1.75	8.06	2.19	9.47	2.54	10.55	2.79	10.91	2.82	11.63	2.87	12.45	2.89
	35	6.19	1.88	8.06	2.36	9.47	2.73	10.55	3.00	10.91	3.03	11.63	3.09	12.45	3.10
	40	6.19	1.90	8.06	2.39	9.47	2.77	10.02	3.04	10.36	3.07	11.05	3.13	11.83	3.15
	43	6.19	1.92	8.06	2.41	9.47	2.79	9.50	3.06	9.82	3.09	10.47	3.15	11.20	3.17
	46	6.19	1.94	8.06	2.43	8.79	2.81	8.97	3.09	9.28	3.12	9.89	3.18	10.58	3.20
9 + 12 + 12 + 12	20	6.19	1.22	8.06	1.53	9.47	1.77	10.55	1.95	10.91	1.97	11.63	2.00	12.45	2.02
	25	6.19	1.44	8.06	1.81	9.47	2.09	10.55	2.30	10.91	2.32	11.63	2.37	12.45	2.38
	32	6.19	1.75	8.06	2.19	9.47	2.54	10.55	2.79	10.91	2.82	11.63	2.87	12.45	2.89
	35	6.19	1.88	8.06	2.36	9.47	2.73	10.55	3.00	10.91	3.03	11.63	3.09	12.45	3.10
	40	6.19	1.90	8.06	2.39	9.47	2.77	10.02	3.04	10.36	3.07	11.05	3.13	11.83	3.15
	43	6.19	1.92	8.06	2.41	9.47	2.79	9.50	3.06	9.82	3.09	10.47	3.15	11.20	3.17
	46	6.19	1.94	8.06	2.43	8.79	2.81	8.97	3.09	9.28	3.12	9.89	3.18	10.58	3.20
7 + 9 + 12 + 18	20	6.19	1.20	8.06	1.51	9.47	1.74	10.55	1.91	10.91	1.93	11.63	1.97	12.45	1.98
	25	6.19	1.42	8.06	1.78	9.47	2.06	10.55	2.26	10.91	2.28	11.63	2.33	12.45	2.34
	32	6.19	1.72	8.06	2.16	9.47	2.50	10.55	2.74	10.91	2.77	11.63	2.82	12.45	2.84
	35	6.19	1.85	8.06	2.32	9.47	2.69	10.55	2.95	10.91	2.98	11.63	3.04	12.45	3.05
	40	6.19	1.87	8.06	2.35	9.47	2.72	10.02	2.99	10.36	3.02	11.05	3.08	11.83	3.10
	43	6.19	1.89	8.06	2.37	9.47	2.75	9.50	3.01	9.82	3.04	10.47	3.10	11.20	3.12
	46	6.19	1.90	8.06	2.39	8.79	2.77	8.97	3.04	9.28	3.07	9.89	3.13	10.58	3.15
7 + 7 + 9 + 24	20	6.19	1.20	8.06	1.50	9.47	1.74	10.55	1.91	10.91	1.93	11.63	1.97	12.45	1.98
	25	6.19	1.41	8.06	1.77	9.47	2.06	10.55	2.25	10.91	2.27	11.63	2.32	12.45	2.34
	32	6.19	1.72	8.06	2.15	9.47	2.49	10.55	2.74	10.91	2.77	11.63	2.82	12.45	2.83
	35	6.19	1.84	8.06	2.32	9.47	2.68	10.55	2.94	10.91	2.97	11.63	3.03	12.45	3.05
	40	6.19	1.87	8.06	2.35	9.47	2.72	10.02	2.98	10.36	3.01	11.05	3.07	11.83	3.09
	43	6.19	1.89	8.06	2.37	9.47	2.74	9.50	3.01	9.82	3.04	10.47	3.10	11.20	3.12
	46	6.19	1.90	8.06	2.39	8.79	2.76	8.97	3.03	9.28	3.06	9.89	3.12	10.58	3.14
9 + 9 + 12 + 18	20	6.19	1.20	8.06	1.50	9.47	1.74	10.55	1.91	10.91	1.93	11.63	1.97	12.45	1.98
	25	6.19	1.41	8.06	1.77	9.47	2.05	10.55	2.25	10.91	2.27	11.63	2.32	12.45	2.33
	32	6.19	1.71	8.06	2.15	9.47	2.49	10.55	2.73	10.91	2.76	11.63	2.81	12.45	2.83
	35	6.19	1.84	8.06	2.31	9.47	2.68	10.55	2.94	10.91	2.97	11.63	3.03	12.45	3.04
	40	6.19	1.87	8.06	2.34	9.47	2.72	10.02	2.98	10.36	3.01	11.05	3.07	11.83	3.09
	43	6.19	1.88	8.06	2.36	9.47	2.74	9.50	3.00	9.82	3.03	10.47	3.09	11.20	3.11
	46	6.19	1.90	8.06	2.38	8.79	2.76	8.97	3.03	9.28	3.06	9.89	3.12	10.58	3.14
12 + 12 + 12 + 12	20	6.19	1.21	8.06	1.52	9.47	1.77	10.55	1.94	10.91	1.96	11.63	2.00	12.45	2.01
	25	6.19	1.43	8.06	1.80	9.47	2.08	10.55	2.29	10.91	2.31	11.63	2.35	12.45	2.37
	32	6.19	1.74	8.06	2.18	9.47	2.53	10.55	2.77	10.91	2.80	11.63	2.86	12.45	2.87
	35	6.19	1.87	8.06	2.35	9.47	2.72	10.55	2.98	10.91	3.01	11.63	3.07	12.45	3.09
	40	6.19	1.90	8.06	2.38	9.47	2.76	10.02	3.02	10.36	3.05	11.05	3.12	11.83	3.13
	43	6.19	1.91	8.06	2.40	9.47	2.78	9.50	3.05	9.82	3.08	10.47	3.14	11.20	3.16
	46	6.19	1.93	8.06	2.42	8.79	2.80	8.97	3.07	9.28	3.10	9.89	3.17	10.58	3.18
48	6.19	1.94	8.06	2.44	8.27	2.82	8.44	3.04	8.68	3.07	9.16	3.13	9.72	3.15	

7. Capacity Tables

Combi.	Outdoor Air Temp. (°C, DB)	Indoor Air Temp. (°C, DB/WB)													
		20.0 / 14.0		23.0 / 16.0		26.0 / 18.0		27.0 / 19.0		28.0 / 20.0		30.0 / 22.0		32.0 / 24.0	
		TC	PI	TC	PI	TC	PI	TC	PI	TC	PI	TC	PI	TC	PI
7 + 9 + 9 + 24	20	6.19	1.19	8.06	1.50	9.47	1.74	10.55	1.91	10.91	1.93	11.63	1.96	12.45	1.97
	25	6.19	1.41	8.06	1.77	9.47	2.05	10.55	2.25	10.91	2.27	11.63	2.32	12.45	2.33
	32	6.19	1.71	8.06	2.15	9.47	2.49	10.55	2.73	10.91	2.76	11.63	2.81	12.45	2.83
	35	6.19	1.84	8.06	2.31	9.47	2.67	10.55	2.93	10.91	2.96	11.63	3.02	12.45	3.04
	40	6.19	1.86	8.06	2.34	9.47	2.71	10.02	2.97	10.36	3.00	11.05	3.06	11.83	3.08
	43	6.19	1.88	8.06	2.36	9.47	2.73	9.50	3.00	9.82	3.03	10.47	3.09	11.20	3.11
	46	6.19	1.89	8.06	2.38	8.79	2.76	8.97	3.02	9.28	3.05	9.89	3.11	10.58	3.13
7 + 12 + 12 + 18	20	6.19	1.19	8.06	1.50	9.47	1.74	10.55	1.91	10.91	1.93	11.63	1.96	12.45	1.97
	25	6.19	1.41	8.06	1.77	9.47	2.05	10.55	2.25	10.91	2.27	11.63	2.32	12.45	2.33
	32	6.19	1.71	8.06	2.15	9.47	2.49	10.55	2.73	10.91	2.76	11.63	2.81	12.45	2.83
	35	6.19	1.84	8.06	2.31	9.47	2.67	10.55	2.93	10.91	2.96	11.63	3.02	12.45	3.04
	40	6.19	1.86	8.06	2.34	9.47	2.71	10.02	2.97	10.36	3.00	11.05	3.06	11.83	3.08
	43	6.19	1.88	8.06	2.36	9.47	2.73	9.50	3.00	9.82	3.03	10.47	3.09	11.20	3.11
	46	6.19	1.89	8.06	2.38	8.79	2.76	8.97	3.02	9.28	3.05	9.89	3.11	10.58	3.13
7 + 7 + 12 + 24	20	6.19	1.19	8.06	1.50	9.47	1.73	10.55	1.90	10.91	1.92	11.63	1.96	12.45	1.97
	25	6.19	1.41	8.06	1.77	9.47	2.05	10.55	2.24	10.91	2.26	11.63	2.31	12.45	2.33
	32	6.19	1.71	8.06	2.14	9.47	2.48	10.55	2.72	10.91	2.75	11.63	2.81	12.45	2.82
	35	6.19	1.84	8.06	2.30	9.47	2.67	10.55	2.93	10.91	2.96	11.63	3.02	12.45	3.03
	40	6.19	1.86	8.06	2.34	9.47	2.71	10.02	2.97	10.36	3.00	11.05	3.06	11.83	3.08
	43	6.19	1.88	8.06	2.36	9.47	2.73	9.50	2.99	9.82	3.02	10.47	3.08	11.20	3.10
	46	6.19	1.89	8.06	2.37	8.79	2.75	8.97	3.02	9.28	3.05	9.89	3.11	10.58	3.13
7 + 7 + 18 + 18	20	6.19	1.17	8.06	1.47	9.47	1.71	10.55	1.87	10.91	1.89	11.63	1.93	12.45	1.94
	25	6.19	1.39	8.06	1.74	9.47	2.02	10.55	2.21	10.91	2.23	11.63	2.28	12.45	2.29
	32	6.19	1.68	8.06	2.11	9.47	2.45	10.55	2.68	10.91	2.71	11.63	2.76	12.45	2.78
	35	6.19	1.81	8.06	2.27	9.47	2.63	10.55	2.88	10.91	2.91	11.63	2.97	12.45	2.99
	40	6.19	1.83	8.06	2.30	9.47	2.67	10.02	2.92	10.36	2.95	11.05	3.01	11.83	3.03
	43	6.19	1.85	8.06	2.32	9.47	2.69	9.50	2.95	9.82	2.98	10.47	3.04	11.20	3.05
	46	6.19	1.86	8.06	2.34	8.79	2.71	8.97	2.97	9.28	3.00	9.89	3.06	10.58	3.08
9 + 9 + 9 + 24	20	6.19	1.19	8.06	1.49	9.47	1.73	10.55	1.90	10.91	1.92	11.63	1.96	12.45	1.97
	25	6.19	1.40	8.06	1.76	9.47	2.04	10.55	2.24	10.91	2.26	11.63	2.31	12.45	2.32
	32	6.19	1.70	8.06	2.14	9.47	2.48	10.55	2.72	10.91	2.75	11.63	2.80	12.45	2.82
	35	6.19	1.83	8.06	2.30	9.47	2.67	10.55	2.92	10.91	2.95	11.63	3.01	12.45	3.03
	40	6.19	1.86	8.06	2.33	9.47	2.70	10.02	2.97	10.36	3.00	11.05	3.05	11.83	3.07
	43	6.19	1.87	8.06	2.35	9.47	2.73	9.50	2.99	9.82	3.02	10.47	3.08	11.20	3.10
	46	6.19	1.89	8.06	2.37	8.79	2.75	8.97	3.01	9.28	3.04	9.89	3.10	10.58	3.12
9 + 12 + 12 + 18	20	6.19	1.19	8.06	1.49	9.47	1.73	10.55	1.90	10.91	1.92	11.63	1.96	12.45	1.97
	25	6.19	1.40	8.06	1.76	9.47	2.04	10.55	2.24	10.91	2.26	11.63	2.31	12.45	2.32
	32	6.19	1.70	8.06	2.14	9.47	2.48	10.55	2.72	10.91	2.75	11.63	2.80	12.45	2.82
	35	6.19	1.83	8.06	2.30	9.47	2.67	10.55	2.92	10.91	2.95	11.63	3.01	12.45	3.03
	40	6.19	1.86	8.06	2.33	9.47	2.70	10.02	2.97	10.36	3.00	11.05	3.05	11.83	3.07
	43	6.19	1.87	8.06	2.35	9.47	2.73	9.50	2.99	9.82	3.02	10.47	3.08	11.20	3.10
	46	6.19	1.89	8.06	2.37	8.79	2.75	8.97	3.01	9.28	3.04	9.89	3.10	10.58	3.12
7 + 9 + 12 + 24	20	6.19	1.19	8.06	1.49	9.47	1.73	10.55	1.90	10.91	1.92	11.63	1.95	12.45	1.97
	25	6.19	1.40	8.06	1.76	9.47	2.04	10.55	2.24	10.91	2.26	11.63	2.31	12.45	2.32
	32	6.19	1.70	8.06	2.14	9.47	2.48	10.55	2.72	10.91	2.75	11.63	2.80	12.45	2.81

7. Capacity Tables

Combi.	Outdoor Air Temp. (°C, DB)	Indoor Air Temp. (°C, DB/WB)													
		20.0 / 14.0		23.0 / 16.0		26.0 / 18.0		27.0 / 19.0		28.0 / 20.0		30.0 / 22.0		32.0 / 24.0	
		TC	PI	TC	PI	TC	PI	TC	PI	TC	PI	TC	PI	TC	PI
7 + 9 + 12 + 24	35	6.19	1.83	8.06	2.30	9.47	2.66	10.55	2.92	10.91	2.95	11.63	3.01	12.45	3.03
	40	6.19	1.86	8.06	2.33	9.47	2.70	10.02	2.96	10.36	2.99	11.05	3.05	11.83	3.07
	43	6.19	1.87	8.06	2.35	9.47	2.72	9.50	2.98	9.82	3.01	10.47	3.07	11.20	3.09
	46	6.19	1.89	8.06	2.37	8.79	2.74	8.97	3.01	9.28	3.04	9.89	3.10	10.58	3.12
	48	6.19	1.90	8.06	2.39	8.27	2.77	8.44	2.98	8.68	3.01	9.16	3.07	9.72	3.09
7 + 9 + 18 + 18	20	6.19	1.17	8.06	1.47	9.47	1.70	10.55	1.87	10.91	1.89	11.63	1.92	12.45	1.94
	25	6.19	1.38	8.06	1.73	9.47	2.01	10.55	2.20	10.91	2.22	11.63	2.27	12.45	2.28
	32	6.19	1.68	8.06	2.10	9.47	2.44	10.55	2.67	10.91	2.70	11.63	2.75	12.45	2.77
	35	6.19	1.80	8.06	2.26	9.47	2.62	10.55	2.88	10.91	2.91	11.63	2.96	12.45	2.98
	40	6.19	1.83	8.06	2.29	9.47	2.66	10.02	2.92	10.36	2.95	11.05	3.00	11.83	3.02
	43	6.19	1.84	8.06	2.31	9.47	2.68	9.50	2.94	9.82	2.97	10.47	3.03	11.20	3.05
	46	6.19	1.86	8.06	2.33	8.79	2.70	8.97	2.96	9.28	2.99	9.89	3.05	10.58	3.07
9 + 9 + 12 + 24	20	6.19	1.19	8.06	1.49	9.47	1.72	10.55	1.89	10.91	1.91	11.63	1.95	12.45	1.96
	25	6.19	1.40	8.06	1.76	9.47	2.03	10.55	2.23	10.91	2.25	11.63	2.30	12.45	2.31
	32	6.19	1.70	8.06	2.13	9.47	2.47	10.55	2.71	10.91	2.74	11.63	2.79	12.45	2.81
	35	6.19	1.83	8.06	2.29	9.47	2.65	10.55	2.91	10.91	2.94	11.63	3.00	12.45	3.02
	40	6.19	1.85	8.06	2.32	9.47	2.69	10.02	2.95	10.36	2.98	11.05	3.04	11.83	3.06
	43	6.19	1.87	8.06	2.34	9.47	2.71	9.50	2.98	9.82	3.01	10.47	3.07	11.20	3.08
	46	6.19	1.88	8.06	2.36	8.79	2.74	8.97	3.00	9.28	3.03	9.89	3.09	10.58	3.11
9 + 9 + 18 + 18	20	6.19	1.17	8.06	1.47	9.47	1.70	10.55	1.86	10.91	1.88	11.63	1.92	12.45	1.93
	25	6.19	1.38	8.06	1.73	9.47	2.00	10.55	2.20	10.91	2.22	11.63	2.26	12.45	2.28
	32	6.19	1.67	8.06	2.10	9.47	2.43	10.55	2.67	10.91	2.70	11.63	2.75	12.45	2.76
	35	6.19	1.80	8.06	2.26	9.47	2.61	10.55	2.87	10.91	2.90	11.63	2.95	12.45	2.97
	40	6.19	1.82	8.06	2.29	9.47	2.65	10.02	2.91	10.36	2.94	11.05	2.99	11.83	3.01
	43	6.19	1.84	8.06	2.31	9.47	2.67	9.50	2.93	9.82	2.96	10.47	3.02	11.20	3.04
	46	6.19	1.85	8.06	2.32	8.79	2.69	8.97	2.95	9.28	2.98	9.89	3.04	10.58	3.06
12 + 12 + 12 + 18	20	6.19	1.19	8.06	1.49	9.47	1.72	10.55	1.89	10.91	1.91	11.63	1.95	12.45	1.96
	25	6.19	1.40	8.06	1.76	9.47	2.03	10.55	2.23	10.91	2.25	11.63	2.30	12.45	2.31
	32	6.19	1.70	8.06	2.13	9.47	2.47	10.55	2.71	10.91	2.74	11.63	2.79	12.45	2.81
	35	6.19	1.83	8.06	2.29	9.47	2.65	10.55	2.91	10.91	2.94	11.63	3.00	12.45	3.02
	40	6.19	1.85	8.06	2.32	9.47	2.69	10.02	2.95	10.36	2.98	11.05	3.04	11.83	3.06
	43	6.19	1.87	8.06	2.34	9.47	2.71	9.50	2.98	9.82	3.01	10.47	3.07	11.20	3.08
	46	6.19	1.88	8.06	2.36	8.79	2.74	8.97	3.00	9.28	3.03	9.89	3.09	10.58	3.11
7 + 12 + 12 + 24	20	6.19	1.18	8.06	1.49	9.47	1.72	10.55	1.89	10.91	1.91	11.63	1.95	12.45	1.96
	25	6.19	1.40	8.06	1.75	9.47	2.03	10.55	2.23	10.91	2.25	11.63	2.30	12.45	2.31
	32	6.19	1.69	8.06	2.13	9.47	2.46	10.55	2.70	10.91	2.73	11.63	2.79	12.45	2.80
	35	6.19	1.82	8.06	2.29	9.47	2.65	10.55	2.91	10.91	2.94	11.63	2.99	12.45	3.01
	40	6.19	1.85	8.06	2.32	9.47	2.69	10.02	2.95	10.36	2.98	11.05	3.04	11.83	3.05
	43	6.19	1.86	8.06	2.34	9.47	2.71	9.50	2.97	9.82	3.00	10.47	3.06	11.20	3.08
	46	6.19	1.88	8.06	2.36	8.79	2.73	8.97	3.00	9.28	3.03	9.89	3.09	10.58	3.10
7 + 12 + 18 + 18	20	6.19	1.17	8.06	1.46	9.47	1.70	10.55	1.86	10.91	1.88	11.63	1.92	12.45	1.93
	25	6.19	1.38	8.06	1.73	9.47	2.00	10.55	2.19	10.91	2.21	11.63	2.26	12.45	2.27
	32	6.19	1.67	8.06	2.09	9.47	2.43	10.55	2.66	10.91	2.69	11.63	2.74	12.45	2.76
	35	6.19	1.79	8.06	2.25	9.47	2.61	10.55	2.86	10.91	2.89	11.63	2.95	12.45	2.97
	40	6.19	1.82	8.06	2.28	9.47	2.65	10.02	2.90	10.36	2.93	11.05	2.99	11.83	3.01
	43	6.19	1.83	8.06	2.30	9.47	2.67	9.50	2.93	9.82	2.96	10.47	3.01	11.20	3.03

7. Capacity Tables

Combi.	Outdoor Air Temp. (°C, DB)	Indoor Air Temp. (°C, DB/WB)													
		20.0 / 14.0		23.0 / 16.0		26.0 / 18.0		27.0 / 19.0		28.0 / 20.0		30.0 / 22.0		32.0 / 24.0	
		TC	PI	TC	PI	TC	PI	TC	PI	TC	PI	TC	PI	TC	PI
7 + 12 + 18 + 18	46	6.19	1.85	8.06	2.32	8.79	2.69	8.97	2.95	9.28	2.98	9.89	3.04	10.58	3.06
	48	6.19	1.86	8.06	2.34	8.27	2.71	8.44	2.92	8.68	2.95	9.16	3.01	9.72	3.03
7 + 7 + 18 + 24	20	6.19	1.16	8.06	1.46	9.47	1.69	10.55	1.86	10.91	1.88	11.63	1.91	12.45	1.92
	25	6.19	1.37	8.06	1.72	9.47	2.00	10.55	2.19	10.91	2.21	11.63	2.26	12.45	2.27
	32	6.19	1.67	8.06	2.09	9.47	2.42	10.55	2.66	10.91	2.69	11.63	2.74	12.45	2.75
	35	6.19	1.79	8.06	2.25	9.47	2.61	10.55	2.86	10.91	2.89	11.63	2.94	12.45	2.96
	40	6.19	1.82	8.06	2.28	9.47	2.64	10.02	2.90	10.36	2.93	11.05	2.99	11.83	3.00
	43	6.19	1.83	8.06	2.30	9.47	2.66	9.50	2.92	9.82	2.95	10.47	3.01	11.20	3.03
	46	6.19	1.85	8.06	2.32	8.79	2.69	8.97	2.95	9.28	2.98	9.89	3.03	10.58	3.05
	48	6.19	1.86	8.06	2.34	8.27	2.71	8.44	2.92	8.68	2.95	9.16	3.00	9.72	3.02
9 + 12 + 12 + 24	20	6.19	1.18	8.06	1.48	9.47	1.72	10.55	1.88	10.91	1.90	11.63	1.94	12.45	1.95
	25	6.19	1.39	8.06	1.75	9.47	2.03	10.55	2.22	10.91	2.24	11.63	2.29	12.45	2.30
	32	6.19	1.69	8.06	2.12	9.47	2.46	10.55	2.70	10.91	2.73	11.63	2.78	12.45	2.79
	35	6.19	1.82	8.06	2.28	9.47	2.64	10.55	2.90	10.91	2.93	11.63	2.99	12.45	3.00
	40	6.19	1.84	8.06	2.31	9.47	2.68	10.02	2.94	10.36	2.97	11.05	3.03	11.83	3.04
	43	6.19	1.86	8.06	2.33	9.47	2.70	9.50	2.96	9.82	2.99	10.47	3.05	11.20	3.07
	46	6.19	1.87	8.06	2.35	8.79	2.72	8.97	2.99	9.28	3.02	9.89	3.08	10.58	3.09
	48	6.19	1.89	8.06	2.37	8.27	2.75	8.44	2.96	8.68	2.99	9.16	3.05	9.72	3.06
9 + 12 + 18 + 18	20	6.19	1.16	8.06	1.46	9.47	1.69	10.55	1.85	10.91	1.87	11.63	1.91	12.45	1.92
	25	6.19	1.37	8.06	1.72	9.47	1.99	10.55	2.19	10.91	2.21	11.63	2.25	12.45	2.27
	32	6.19	1.66	8.06	2.09	9.47	2.42	10.55	2.65	10.91	2.68	11.63	2.73	12.45	2.75
	35	6.19	1.79	8.06	2.25	9.47	2.60	10.55	2.85	10.91	2.88	11.63	2.94	12.45	2.96
	40	6.19	1.81	8.06	2.28	9.47	2.64	10.02	2.89	10.36	2.92	11.05	2.98	11.83	3.00
	43	6.19	1.83	8.06	2.30	9.47	2.66	9.50	2.92	9.82	2.95	10.47	3.01	11.20	3.02
	46	6.19	1.84	8.06	2.31	8.79	2.68	8.97	2.94	9.28	2.97	9.89	3.03	10.58	3.05
	48	6.19	1.86	8.06	2.33	8.27	2.70	8.44	2.91	8.68	2.94	9.16	3.00	9.72	3.02
7 + 7 + 7 + 7 + 7	20	6.02	1.15	7.83	1.44	9.21	1.67	10.26	1.83	10.61	1.85	11.31	1.89	12.10	1.90
	25	6.02	1.35	7.83	1.70	9.21	1.97	10.26	2.16	10.61	2.18	11.31	2.22	12.10	2.24
	32	6.02	1.64	7.83	2.06	9.21	2.39	10.26	2.62	10.61	2.65	11.31	2.70	12.10	2.71
	35	6.02	1.77	7.83	2.22	9.21	2.57	10.26	2.82	10.61	2.85	11.31	2.90	12.10	2.92
	40	6.02	1.79	7.83	2.25	9.21	2.60	9.75	2.86	10.08	2.89	10.74	2.94	11.50	2.96
	43	6.02	1.81	7.83	2.27	9.21	2.63	9.23	2.88	9.55	2.91	10.18	2.97	10.89	2.98
	46	6.02	1.82	7.83	2.28	8.55	2.65	8.72	2.90	9.02	2.93	9.61	2.99	10.29	3.01
	48	6.02	1.83	7.83	2.30	8.04	2.67	8.21	2.87	8.44	2.90	8.91	2.96	9.45	2.98
7 + 7 + 7 + 7 + 9	20	6.19	1.20	8.06	1.50	9.47	1.74	10.55	1.91	10.91	1.93	11.63	1.97	12.45	1.98
	25	6.19	1.41	8.06	1.77	9.47	2.05	10.55	2.25	10.91	2.27	11.63	2.32	12.45	2.33
	32	6.19	1.71	8.06	2.15	9.47	2.49	10.55	2.73	10.91	2.76	11.63	2.82	12.45	2.83
	35	6.19	1.84	8.06	2.31	9.47	2.68	10.55	2.94	10.91	2.97	11.63	3.03	12.45	3.05
	40	6.19	1.87	8.06	2.35	9.47	2.72	10.02	2.98	10.36	3.01	11.05	3.07	11.83	3.09
	43	6.19	1.88	8.06	2.36	9.47	2.74	9.50	3.00	9.82	3.03	10.47	3.10	11.20	3.11
	46	6.19	1.90	8.06	2.38	8.79	2.76	8.97	3.03	9.28	3.06	9.89	3.12	10.58	3.14
	48	6.19	1.91	8.06	2.40	8.27	2.78	8.44	3.00	8.68	3.03	9.16	3.09	9.72	3.11
7 + 7 + 7 + 9 + 9	20	6.19	1.19	8.06	1.50	9.47	1.74	10.55	1.90	10.91	1.92	11.63	1.96	12.45	1.97
	25	6.19	1.41	8.06	1.77	9.47	2.05	10.55	2.25	10.91	2.27	11.63	2.31	12.45	2.33
	32	6.19	1.71	8.06	2.14	9.47	2.49	10.55	2.73	10.91	2.76	11.63	2.81	12.45	2.82
	35	6.19	1.84	8.06	2.31	9.47	2.67	10.55	2.93	10.91	2.96	11.63	3.02	12.45	3.04
	40	6.19	1.86	8.06	2.34	9.47	2.71	10.02	2.97	10.36	3.00	11.05	3.06	11.83	3.08
	43	6.19	1.88	8.06	2.36	9.47	2.73	9.50	3.00	9.82	3.03	10.47	3.09	11.20	3.10
	46	6.19	1.89	8.06	2.38	8.79	2.75	8.97	3.02	9.28	3.05	9.89	3.11	10.58	3.13
	48	6.19	1.91	8.06	2.40	8.27	2.78	8.44	2.99	8.68	3.02	9.16	3.08	9.72	3.10
7 + 7 + 7 + 7 + 12	20	6.19	1.19	8.06	1.50	9.47	1.73	10.55	1.90	10.91	1.92	11.63	1.96	12.45	1.97

7. Capacity Tables

Combi.	Outdoor Air Temp. (°C, DB)	Indoor Air Temp. (°C, DB/WB)													
		20.0 / 14.0		23.0 / 16.0		26.0 / 18.0		27.0 / 19.0		28.0 / 20.0		30.0 / 22.0		32.0 / 24.0	
		TC	PI	TC	PI	TC	PI	TC	PI	TC	PI	TC	PI	TC	PI
7 + 7 + 7 + 7 + 12	25	6.19	1.41	8.06	1.76	9.47	2.04	10.55	2.24	10.91	2.26	11.63	2.31	12.45	2.32
	32	6.19	1.71	8.06	2.14	9.47	2.48	10.55	2.72	10.91	2.75	11.63	2.80	12.45	2.82
	35	6.19	1.83	8.06	2.30	9.47	2.67	10.55	2.93	10.91	2.96	11.63	3.02	12.45	3.03
	40	6.19	1.86	8.06	2.33	9.47	2.71	10.02	2.97	10.36	3.00	11.05	3.06	11.83	3.07
	43	6.19	1.88	8.06	2.35	9.47	2.73	9.50	2.99	9.82	3.02	10.47	3.08	11.20	3.10
	46	6.19	1.89	8.06	2.37	8.79	2.75	8.97	3.02	9.28	3.05	9.89	3.11	10.58	3.12
	48	6.19	1.91	8.06	2.39	8.27	2.77	8.44	2.99	8.68	3.02	9.16	3.08	9.72	3.09
7 + 7 + 9 + 9 + 9	20	6.19	1.19	8.06	1.49	9.47	1.73	10.55	1.90	10.91	1.92	11.63	1.96	12.45	1.97
	25	6.19	1.40	8.06	1.76	9.47	2.04	10.55	2.24	10.91	2.26	11.63	2.31	12.45	2.32
	32	6.19	1.70	8.06	2.14	9.47	2.48	10.55	2.72	10.91	2.75	11.63	2.80	12.45	2.82
	35	6.19	1.83	8.06	2.30	9.47	2.66	10.55	2.92	10.91	2.95	11.63	3.01	12.45	3.03
	40	6.19	1.86	8.06	2.33	9.47	2.70	10.02	2.96	10.36	2.99	11.05	3.05	11.83	3.07
	43	6.19	1.87	8.06	2.35	9.47	2.72	9.50	2.99	9.82	3.02	10.47	3.08	11.20	3.09
	46	6.19	1.89	8.06	2.37	8.79	2.75	8.97	3.01	9.28	3.04	9.89	3.10	10.58	3.12
7 + 7 + 7 + 9 + 12	20	6.19	1.19	8.06	1.49	9.47	1.73	10.55	1.90	10.91	1.92	11.63	1.95	12.45	1.96
	25	6.19	1.40	8.06	1.76	9.47	2.04	10.55	2.24	10.91	2.26	11.63	2.30	12.45	2.32
	32	6.19	1.70	8.06	2.14	9.47	2.47	10.55	2.71	10.91	2.74	11.63	2.80	12.45	2.81
	35	6.19	1.83	8.06	2.30	9.47	2.66	10.55	2.92	10.91	2.95	11.63	3.01	12.45	3.02
	40	6.19	1.85	8.06	2.33	9.47	2.70	10.02	2.96	10.36	2.99	11.05	3.05	11.83	3.07
	43	6.19	1.87	8.06	2.35	9.47	2.72	9.50	2.98	9.82	3.01	10.47	3.07	11.20	3.09
	46	6.19	1.88	8.06	2.37	8.79	2.74	8.97	3.01	9.28	3.04	9.89	3.10	10.58	3.11
7 + 9 + 9 + 9 + 9	20	6.19	1.19	8.06	1.49	9.47	1.73	10.55	1.89	10.91	1.91	11.63	1.95	12.45	1.96
	25	6.19	1.40	8.06	1.76	9.47	2.04	10.55	2.23	10.91	2.25	11.63	2.30	12.45	2.31
	32	6.19	1.70	8.06	2.13	9.47	2.47	10.55	2.71	10.91	2.74	11.63	2.79	12.45	2.81
	35	6.19	1.83	8.06	2.29	9.47	2.66	10.55	2.91	10.91	2.94	11.63	3.00	12.45	3.02
	40	6.19	1.85	8.06	2.32	9.47	2.69	10.02	2.95	10.36	2.98	11.05	3.04	11.83	3.06
	43	6.19	1.87	8.06	2.34	9.47	2.71	9.50	2.98	9.82	3.01	10.47	3.07	11.20	3.09
	46	6.19	1.88	8.06	2.36	8.79	2.74	8.97	3.00	9.28	3.03	9.89	3.09	10.58	3.11
7 + 7 + 9 + 9 + 12	20	6.19	1.18	8.06	1.49	9.47	1.72	10.55	1.89	10.91	1.91	11.63	1.95	12.45	1.96
	25	6.19	1.40	8.06	1.75	9.47	2.03	10.55	2.23	10.91	2.25	11.63	2.30	12.45	2.31
	32	6.19	1.70	8.06	2.13	9.47	2.47	10.55	2.71	10.91	2.74	11.63	2.79	12.45	2.80
	35	6.19	1.82	8.06	2.29	9.47	2.65	10.55	2.91	10.91	2.94	11.63	3.00	12.45	3.01
	40	6.19	1.85	8.06	2.32	9.47	2.69	10.02	2.95	10.36	2.98	11.05	3.04	11.83	3.06
	43	6.19	1.86	8.06	2.34	9.47	2.71	9.50	2.97	9.82	3.00	10.47	3.06	11.20	3.08
	46	6.19	1.88	8.06	2.36	8.79	2.73	8.97	3.00	9.28	3.03	9.89	3.09	10.58	3.11
7 + 7 + 7 + 12 + 12	20	6.19	1.18	8.06	1.48	9.47	1.72	10.55	1.89	10.91	1.91	11.63	1.94	12.45	1.95
	25	6.19	1.40	8.06	1.75	9.47	2.03	10.55	2.23	10.91	2.25	11.63	2.29	12.45	2.31
	32	6.19	1.69	8.06	2.13	9.47	2.46	10.55	2.70	10.91	2.73	11.63	2.78	12.45	2.80
	35	6.19	1.82	8.06	2.29	9.47	2.65	10.55	2.91	10.91	2.94	11.63	2.99	12.45	3.01
	40	6.19	1.85	8.06	2.32	9.47	2.68	10.02	2.95	10.36	2.98	11.05	3.03	11.83	3.05
	43	6.19	1.86	8.06	2.34	9.47	2.71	9.50	2.97	9.82	3.00	10.47	3.06	11.20	3.08
	46	6.19	1.88	8.06	2.36	8.79	2.73	8.97	2.99	9.28	3.02	9.89	3.08	10.58	3.10
9 + 9 + 9 + 9 + 9	20	6.19	1.18	8.06	1.48	9.47	1.72	10.55	1.89	10.91	1.91	11.63	1.94	12.45	1.95
	25	6.19	1.40	8.06	1.75	9.47	2.03	10.55	2.23	10.91	2.25	11.63	2.29	12.45	2.31
	32	6.19	1.69	8.06	2.13	9.47	2.46	10.55	2.70	10.91	2.73	11.63	2.78	12.45	2.80
	35	6.19	1.82	8.06	2.29	9.47	2.65	10.55	2.91	10.91	2.94	11.63	2.99	12.45	3.01

7. Capacity Tables

Combi.	Outdoor Air Temp. (°C, DB)	Indoor Air Temp. (°C, DB/WB)													
		20.0 / 14.0		23.0 / 16.0		26.0 / 18.0		27.0 / 19.0		28.0 / 20.0		30.0 / 22.0		32.0 / 24.0	
		TC	PI	TC	PI	TC	PI	TC	PI	TC	PI	TC	PI	TC	PI
9 + 9 + 9 + 9 + 9	40	6.19	1.85	8.06	2.32	9.47	2.68	10.02	2.95	10.36	2.98	11.05	3.03	11.83	3.05
	43	6.19	1.86	8.06	2.34	9.47	2.71	9.50	2.97	9.82	3.00	10.47	3.06	11.20	3.08
	46	6.19	1.88	8.06	2.36	8.79	2.73	8.97	2.99	9.28	3.02	9.89	3.08	10.58	3.10
	48	6.19	1.89	8.06	2.37	8.27	2.75	8.44	2.96	8.68	2.99	9.16	3.05	9.72	3.07
7 + 7 + 7 + 7 + 18	20	6.19	1.17	8.06	1.46	9.47	1.70	10.55	1.86	10.91	1.88	11.63	1.92	12.45	1.93
	25	6.19	1.38	8.06	1.73	9.47	2.00	10.55	2.20	10.91	2.22	11.63	2.26	12.45	2.28
	32	6.19	1.67	8.06	2.10	9.47	2.43	10.55	2.66	10.91	2.69	11.63	2.75	12.45	2.76
	35	6.19	1.80	8.06	2.26	9.47	2.61	10.55	2.87	10.91	2.90	11.63	2.95	12.45	2.97
	40	6.19	1.82	8.06	2.29	9.47	2.65	10.02	2.91	10.36	2.94	11.05	2.99	11.83	3.01
	43	6.19	1.84	8.06	2.30	9.47	2.67	9.50	2.93	9.82	2.96	10.47	3.02	11.20	3.03
	46	6.19	1.85	8.06	2.32	8.79	2.69	8.97	2.95	9.28	2.98	9.89	3.04	10.58	3.06
7 + 9 + 9 + 9 + 12	20	6.19	1.18	8.06	1.48	9.47	1.72	10.55	1.88	10.91	1.90	11.63	1.94	12.45	1.95
	25	6.19	1.39	8.06	1.75	9.47	2.03	10.55	2.22	10.91	2.24	11.63	2.29	12.45	2.30
	32	6.19	1.69	8.06	2.12	9.47	2.46	10.55	2.70	10.91	2.73	11.63	2.78	12.45	2.79
	35	6.19	1.82	8.06	2.28	9.47	2.64	10.55	2.90	10.91	2.93	11.63	2.99	12.45	3.01
	40	6.19	1.84	8.06	2.31	9.47	2.68	10.02	2.94	10.36	2.97	11.05	3.03	11.83	3.05
	43	6.19	1.86	8.06	2.33	9.47	2.70	9.50	2.96	9.82	2.99	10.47	3.05	11.20	3.07
	46	6.19	1.87	8.06	2.35	8.79	2.72	8.97	2.99	9.28	3.02	9.89	3.08	10.58	3.10
	48	6.19	1.89	8.06	2.37	8.27	2.75	8.44	2.96	8.68	2.99	9.16	3.05	9.72	3.07
7 + 7 + 9 + 12 + 12	20	6.19	1.18	8.06	1.48	9.47	1.71	10.55	1.88	10.91	1.90	11.63	1.94	12.45	1.95
	25	6.19	1.39	8.06	1.75	9.47	2.02	10.55	2.22	10.91	2.24	11.63	2.29	12.45	2.30
	32	6.19	1.69	8.06	2.12	9.47	2.46	10.55	2.69	10.91	2.72	11.63	2.77	12.45	2.79
	35	6.19	1.82	8.06	2.28	9.47	2.64	10.55	2.90	10.91	2.93	11.63	2.98	12.45	3.00
	40	6.19	1.84	8.06	2.31	9.47	2.68	10.02	2.94	10.36	2.97	11.05	3.02	11.83	3.04
	43	6.19	1.86	8.06	2.33	9.47	2.70	9.50	2.96	9.82	2.99	10.47	3.05	11.20	3.07
	46	6.19	1.87	8.06	2.35	8.79	2.72	8.97	2.98	9.28	3.01	9.89	3.07	10.58	3.09
	48	6.19	1.89	8.06	2.37	8.27	2.74	8.44	2.95	8.68	2.98	9.16	3.04	9.72	3.06
7 + 7 + 7 + 9 + 18	20	6.19	1.16	8.06	1.46	9.47	1.69	10.55	1.86	10.91	1.88	11.63	1.91	12.45	1.92
	25	6.19	1.37	8.06	1.72	9.47	2.00	10.55	2.19	10.91	2.21	11.63	2.26	12.45	2.27
	32	6.19	1.67	8.06	2.09	9.47	2.42	10.55	2.66	10.91	2.69	11.63	2.74	12.45	2.75
	35	6.19	1.79	8.06	2.25	9.47	2.60	10.55	2.86	10.91	2.89	11.63	2.94	12.45	2.96
	40	6.19	1.82	8.06	2.28	9.47	2.64	10.02	2.90	10.36	2.93	11.05	2.98	11.83	3.00
	43	6.19	1.83	8.06	2.30	9.47	2.66	9.50	2.92	9.82	2.95	10.47	3.01	11.20	3.03
	46	6.19	1.85	8.06	2.32	8.79	2.68	8.97	2.94	9.28	2.97	9.89	3.03	10.58	3.05
	48	6.19	1.86	8.06	2.34	8.27	2.71	8.44	2.91	8.68	2.94	9.16	3.00	9.72	3.02
9 + 9 + 9 + 9 + 12	20	6.19	1.18	8.06	1.48	9.47	1.71	10.55	1.88	10.91	1.90	11.63	1.93	12.45	1.95
	25	6.19	1.39	8.06	1.74	9.47	2.02	10.55	2.22	10.91	2.24	11.63	2.28	12.45	2.30
	32	6.19	1.69	8.06	2.12	9.47	2.45	10.55	2.69	10.91	2.72	11.63	2.77	12.45	2.79
	35	6.19	1.81	8.06	2.28	9.47	2.64	10.55	2.89	10.91	2.92	11.63	2.98	12.45	3.00
	40	6.19	1.84	8.06	2.31	9.47	2.67	10.02	2.93	10.36	2.96	11.05	3.02	11.83	3.04
	43	6.19	1.85	8.06	2.33	9.47	2.69	9.50	2.96	9.82	2.99	10.47	3.04	11.20	3.06
	46	6.19	1.87	8.06	2.34	8.79	2.72	8.97	2.98	9.28	3.01	9.89	3.07	10.58	3.09
	48	6.19	1.88	8.06	2.36	8.27	2.74	8.44	2.95	8.68	2.98	9.16	3.04	9.72	3.06
7 + 9 + 9 + 12 + 12	20	6.19	1.18	8.06	1.48	9.47	1.71	10.55	1.88	10.91	1.90	11.63	1.93	12.45	1.94
	25	6.19	1.39	8.06	1.74	9.47	2.02	10.55	2.21	10.91	2.23	11.63	2.28	12.45	2.29
	32	6.19	1.68	8.06	2.11	9.47	2.45	10.55	2.69	10.91	2.72	11.63	2.77	12.45	2.78
	35	6.19	1.81	8.06	2.27	9.47	2.63	10.55	2.89	10.91	2.92	11.63	2.97	12.45	2.99
	40	6.19	1.83	8.06	2.30	9.47	2.67	10.02	2.93	10.36	2.96	11.05	3.02	11.83	3.03
	43	6.19	1.85	8.06	2.32	9.47	2.69	9.50	2.95	9.82	2.98	10.47	3.04	11.20	3.06
	46	6.19	1.86	8.06	2.34	8.79	2.71	8.97	2.98	9.28	3.01	9.89	3.06	10.58	3.08

7. Capacity Tables

Combi.	Outdoor Air Temp. (°C, DB)	Indoor Air Temp. (°C, DB/WB)													
		20.0 / 14.0		23.0 / 16.0		26.0 / 18.0		27.0 / 19.0		28.0 / 20.0		30.0 / 22.0		32.0 / 24.0	
		TC	PI	TC	PI	TC	PI	TC	PI	TC	PI	TC	PI	TC	PI
7 + 9 + 9 + 12 + 12	48	6.19	1.88	8.06	2.36	8.27	2.73	8.44	2.95	8.68	2.98	9.16	3.03	9.72	3.05
7 + 7 + 9 + 9 + 18	20	6.19	1.16	8.06	1.46	9.47	1.69	10.55	1.85	10.91	1.87	11.63	1.91	12.45	1.92
	25	6.19	1.37	8.06	1.72	9.47	1.99	10.55	2.18	10.91	2.20	11.63	2.25	12.45	2.26
	32	6.19	1.66	8.06	2.08	9.47	2.41	10.55	2.65	10.91	2.68	11.63	2.73	12.45	2.74
	35	6.19	1.79	8.06	2.24	9.47	2.60	10.55	2.85	10.91	2.88	11.63	2.93	12.45	2.95
	40	6.19	1.81	8.06	2.27	9.47	2.63	10.02	2.89	10.36	2.92	11.05	2.97	11.83	2.99
	43	6.19	1.82	8.06	2.29	9.47	2.65	9.50	2.91	9.82	2.94	10.47	3.00	11.20	3.02
	46	6.19	1.84	8.06	2.31	8.79	2.68	8.97	2.94	9.28	2.97	9.89	3.02	10.58	3.04
7 + 7 + 12 + 12 + 12	20	6.19	1.17	8.06	1.47	9.47	1.71	10.55	1.87	10.91	1.89	11.63	1.93	12.45	1.94
	25	6.19	1.38	8.06	1.74	9.47	2.01	10.55	2.21	10.91	2.23	11.63	2.28	12.45	2.29
	32	6.19	1.68	8.06	2.11	9.47	2.44	10.55	2.68	10.91	2.71	11.63	2.76	12.45	2.78
	35	6.19	1.81	8.06	2.27	9.47	2.63	10.55	2.88	10.91	2.91	11.63	2.97	12.45	2.99
	40	6.19	1.83	8.06	2.30	9.47	2.66	10.02	2.92	10.36	2.95	11.05	3.01	11.83	3.03
	43	6.19	1.85	8.06	2.32	9.47	2.69	9.50	2.95	9.82	2.98	10.47	3.04	11.20	3.05
	46	6.19	1.86	8.06	2.34	8.79	2.71	8.97	2.97	9.28	3.00	9.89	3.06	10.58	3.08
7 + 7 + 7 + 12 + 18	20	6.19	1.16	8.06	1.45	9.47	1.68	10.55	1.85	10.91	1.87	11.63	1.90	12.45	1.91
	25	6.19	1.37	8.06	1.72	9.47	1.99	10.55	2.18	10.91	2.20	11.63	2.25	12.45	2.26
	32	6.19	1.66	8.06	2.08	9.47	2.41	10.55	2.65	10.91	2.67	11.63	2.72	12.45	2.74
	35	6.19	1.78	8.06	2.24	9.47	2.59	10.55	2.84	10.91	2.87	11.63	2.93	12.45	2.95
	40	6.19	1.81	8.06	2.27	9.47	2.63	10.02	2.88	10.36	2.91	11.05	2.97	11.83	2.99
	43	6.19	1.82	8.06	2.29	9.47	2.65	9.50	2.91	9.82	2.94	10.47	2.99	11.20	3.01
	46	6.19	1.84	8.06	2.31	8.79	2.67	8.97	2.93	9.28	2.96	9.89	3.02	10.58	3.04
9 + 9 + 9 + 12 + 12	20	6.19	1.17	8.06	1.47	9.47	1.70	10.55	1.87	10.91	1.89	11.63	1.93	12.45	1.94
	25	6.19	1.38	8.06	1.74	9.47	2.01	10.55	2.21	10.91	2.23	11.63	2.27	12.45	2.29
	32	6.19	1.68	8.06	2.11	9.47	2.44	10.55	2.68	10.91	2.71	11.63	2.76	12.45	2.77
	35	6.19	1.80	8.06	2.27	9.47	2.62	10.55	2.88	10.91	2.91	11.63	2.97	12.45	2.98
	40	6.19	1.83	8.06	2.30	9.47	2.66	10.02	2.92	10.36	2.95	11.05	3.01	11.83	3.02
	43	6.19	1.84	8.06	2.32	9.47	2.68	9.50	2.94	9.82	2.97	10.47	3.03	11.20	3.05
	46	6.19	1.86	8.06	2.33	8.79	2.70	8.97	2.97	9.28	3.00	9.89	3.06	10.58	3.07
7 + 7 + 7 + 7 + 24	20	6.19	1.16	8.06	1.45	9.47	1.68	10.55	1.84	10.91	1.86	11.63	1.90	12.45	1.91
	25	6.19	1.36	8.06	1.71	9.47	1.98	10.55	2.18	10.91	2.20	11.63	2.24	12.45	2.25
	32	6.19	1.66	8.06	2.08	9.47	2.41	10.55	2.64	10.91	2.67	11.63	2.72	12.45	2.74
	35	6.19	1.78	8.06	2.23	9.47	2.59	10.55	2.84	10.91	2.87	11.63	2.93	12.45	2.94
	40	6.19	1.80	8.06	2.27	9.47	2.62	10.02	2.88	10.36	2.91	11.05	2.97	11.83	2.98
	43	6.19	1.82	8.06	2.28	9.47	2.65	9.50	2.90	9.82	2.93	10.47	2.99	11.20	3.01
	46	6.19	1.83	8.06	2.30	8.79	2.67	8.97	2.93	9.28	2.96	9.89	3.01	10.58	3.03
7 + 9 + 9 + 9 + 18	20	6.19	1.16	8.06	1.45	9.47	1.68	10.55	1.84	10.91	1.86	11.63	1.90	12.45	1.91
	25	6.19	1.36	8.06	1.71	9.47	1.98	10.55	2.18	10.91	2.20	11.63	2.24	12.45	2.25
	32	6.19	1.66	8.06	2.08	9.47	2.41	10.55	2.64	10.91	2.67	11.63	2.72	12.45	2.74
	35	6.19	1.78	8.06	2.23	9.47	2.59	10.55	2.84	10.91	2.87	11.63	2.93	12.45	2.94
	40	6.19	1.80	8.06	2.27	9.47	2.62	10.02	2.88	10.36	2.91	11.05	2.97	11.83	2.98
	43	6.19	1.82	8.06	2.28	9.47	2.65	9.50	2.90	9.82	2.93	10.47	2.99	11.20	3.01
	46	6.19	1.83	8.06	2.30	8.79	2.67	8.97	2.93	9.28	2.96	9.89	3.01	10.58	3.03
7 + 9 + 12 + 12 + 12	20	6.19	1.17	8.06	1.47	9.47	1.70	10.55	1.87	10.91	1.89	11.63	1.92	12.45	1.93
	25	6.19	1.38	8.06	1.73	9.47	2.01	10.55	2.20	10.91	2.22	11.63	2.27	12.45	2.28

7. Capacity Tables

Combi.	Outdoor Air Temp. (°C, DB)	Indoor Air Temp. (°C, DB/WB)													
		20.0 / 14.0		23.0 / 16.0		26.0 / 18.0		27.0 / 19.0		28.0 / 20.0		30.0 / 22.0		32.0 / 24.0	
		TC	PI	TC	PI	TC	PI	TC	PI	TC	PI	TC	PI	TC	PI
7 + 9 + 12 + 12 + 12	32	6.19	1.68	8.06	2.10	9.47	2.44	10.55	2.67	10.91	2.70	11.63	2.75	12.45	2.77
	35	6.19	1.80	8.06	2.26	9.47	2.62	10.55	2.87	10.91	2.90	11.63	2.96	12.45	2.98
	40	6.19	1.83	8.06	2.29	9.47	2.66	10.02	2.91	10.36	2.94	11.05	3.00	11.83	3.02
	43	6.19	1.84	8.06	2.31	9.47	2.68	9.50	2.94	9.82	2.97	10.47	3.03	11.20	3.04
	46	6.19	1.86	8.06	2.33	8.79	2.70	8.97	2.96	9.28	2.99	9.89	3.05	10.58	3.07
	48	6.19	1.87	8.06	2.35	8.27	2.72	8.44	2.93	8.68	2.96	9.16	3.02	9.72	3.04
7 + 7 + 9 + 12 + 18	20	6.19	1.15	8.06	1.45	9.47	1.68	10.55	1.84	10.91	1.86	11.63	1.90	12.45	1.91
	25	6.19	1.36	8.06	1.71	9.47	1.98	10.55	2.17	10.91	2.19	11.63	2.24	12.45	2.25
	32	6.19	1.65	8.06	2.08	9.47	2.40	10.55	2.64	10.91	2.67	11.63	2.72	12.45	2.73
	35	6.19	1.78	8.06	2.23	9.47	2.59	10.55	2.84	10.91	2.87	11.63	2.92	12.45	2.94
	40	6.19	1.80	8.06	2.26	9.47	2.62	10.02	2.87	10.36	2.90	11.05	2.96	11.83	2.98
	43	6.19	1.82	8.06	2.28	9.47	2.64	9.50	2.90	9.82	2.93	10.47	2.99	11.20	3.00
	46	6.19	1.83	8.06	2.30	8.79	2.66	8.97	2.92	9.28	2.95	9.89	3.01	10.58	3.03
7 + 7 + 7 + 9 + 24	20	6.19	1.15	8.06	1.45	9.47	1.68	10.55	1.84	10.91	1.86	11.63	1.89	12.45	1.91
	25	6.19	1.36	8.06	1.71	9.47	1.98	10.55	2.17	10.91	2.19	11.63	2.24	12.45	2.25
	32	6.19	1.65	8.06	2.07	9.47	2.40	10.55	2.63	10.91	2.66	11.63	2.71	12.45	2.73
	35	6.19	1.77	8.06	2.23	9.47	2.58	10.55	2.83	10.91	2.86	11.63	2.92	12.45	2.93
	40	6.19	1.80	8.06	2.26	9.47	2.62	10.02	2.87	10.36	2.90	11.05	2.96	11.83	2.97
	43	6.19	1.81	8.06	2.28	9.47	2.64	9.50	2.89	9.82	2.92	10.47	2.98	11.20	3.00
	46	6.19	1.83	8.06	2.30	8.79	2.66	8.97	2.92	9.28	2.95	9.89	3.01	10.58	3.02
9 + 9 + 9 + 9 + 18	20	6.19	1.15	8.06	1.45	9.47	1.68	10.55	1.84	10.91	1.86	11.63	1.89	12.45	1.91
	25	6.19	1.36	8.06	1.71	9.47	1.98	10.55	2.17	10.91	2.19	11.63	2.24	12.45	2.25
	32	6.19	1.65	8.06	2.07	9.47	2.40	10.55	2.63	10.91	2.66	11.63	2.71	12.45	2.73
	35	6.19	1.77	8.06	2.23	9.47	2.58	10.55	2.83	10.91	2.86	11.63	2.92	12.45	2.93
	40	6.19	1.80	8.06	2.26	9.47	2.62	10.02	2.87	10.36	2.90	11.05	2.96	11.83	2.97
	43	6.19	1.81	8.06	2.28	9.47	2.64	9.50	2.89	9.82	2.92	10.47	2.98	11.20	3.00
	46	6.19	1.83	8.06	2.30	8.79	2.66	8.97	2.92	9.28	2.95	9.89	3.01	10.58	3.02
9 + 9 + 12 + 12 + 12	20	6.19	1.17	8.06	1.46	9.47	1.70	10.55	1.86	10.91	1.88	11.63	1.92	12.45	1.93
	25	6.19	1.38	8.06	1.73	9.47	2.00	10.55	2.20	10.91	2.22	11.63	2.26	12.45	2.28
	32	6.19	1.67	8.06	2.10	9.47	2.43	10.55	2.67	10.91	2.70	11.63	2.75	12.45	2.76
	35	6.19	1.80	8.06	2.26	9.47	2.61	10.55	2.87	10.91	2.90	11.63	2.95	12.45	2.97
	40	6.19	1.82	8.06	2.29	9.47	2.65	10.02	2.91	10.36	2.94	11.05	2.99	11.83	3.01
	43	6.19	1.84	8.06	2.30	9.47	2.67	9.50	2.93	9.82	2.96	10.47	3.02	11.20	3.03
	46	6.19	1.85	8.06	2.32	8.79	2.69	8.97	2.95	9.28	2.98	9.89	3.04	10.58	3.06
	48	6.19	1.87	8.06	2.34	8.27	2.71	8.44	2.92	8.68	2.95	9.16	3.01	9.72	3.03
7 + 9 + 9 + 12 + 18	20	6.19	1.15	8.06	1.45	9.47	1.67	10.55	1.84	10.91	1.86	11.63	1.89	12.45	1.90
	25	6.19	1.36	8.06	1.70	9.47	1.98	10.55	2.17	10.91	2.19	11.63	2.23	12.45	2.24
	32	6.19	1.65	8.06	2.07	9.47	2.40	10.55	2.63	10.91	2.66	11.63	2.71	12.45	2.72
	35	6.19	1.77	8.06	2.22	9.47	2.58	10.55	2.83	10.91	2.86	11.63	2.91	12.45	2.93
	40	6.19	1.80	8.06	2.26	9.47	2.61	10.02	2.87	10.36	2.90	11.05	2.95	11.83	2.97
	43	6.19	1.81	8.06	2.27	9.47	2.63	9.50	2.89	9.82	2.92	10.47	2.98	11.20	2.99
	46	6.19	1.83	8.06	2.29	8.79	2.66	8.97	2.91	9.28	2.94	9.89	3.00	10.58	3.02
	48	6.19	1.84	8.06	2.31	8.27	2.68	8.44	2.88	8.68	2.91	9.16	2.97	9.72	2.99
7 + 12 + 12 + 12 + 12	20	6.19	1.17	8.06	1.46	9.47	1.69	10.55	1.86	10.91	1.88	11.63	1.91	12.45	1.93
	25	6.19	1.37	8.06	1.73	9.47	2.00	10.55	2.19	10.91	2.21	11.63	2.26	12.45	2.27
	32	6.19	1.67	8.06	2.09	9.47	2.43	10.55	2.66	10.91	2.69	11.63	2.74	12.45	2.76
	35	6.19	1.79	8.06	2.25	9.47	2.61	10.55	2.86	10.91	2.89	11.63	2.95	12.45	2.96
	40	6.19	1.82	8.06	2.28	9.47	2.64	10.02	2.90	10.36	2.93	11.05	2.99	11.83	3.01

7. Capacity Tables

Combi.	Outdoor Air Temp. (°C, DB)	Indoor Air Temp. (°C, DB/WB)													
		20.0 / 14.0		23.0 / 16.0		26.0 / 18.0		27.0 / 19.0		28.0 / 20.0		30.0 / 22.0		32.0 / 24.0	
		TC	PI	TC	PI	TC	PI	TC	PI	TC	PI	TC	PI	TC	PI
7 + 12 + 12 + 12 + 12	43	6.19	1.83	8.06	2.30	9.47	2.67	9.50	2.92	9.82	2.95	10.47	3.01	11.20	3.03
	46	6.19	1.85	8.06	2.32	8.79	2.69	8.97	2.95	9.28	2.98	9.89	3.04	10.58	3.05
	48	6.19	1.86	8.06	2.34	8.27	2.71	8.44	2.92	8.68	2.95	9.16	3.01	9.72	3.02
7 + 7 + 9 + 9 + 24	20	6.19	1.15	8.06	1.44	9.47	1.67	10.55	1.83	10.91	1.85	11.63	1.89	12.45	1.90
	25	6.19	1.36	8.06	1.70	9.47	1.97	10.55	2.16	10.91	2.18	11.63	2.23	12.45	2.24
	32	6.19	1.65	8.06	2.07	9.47	2.39	10.55	2.63	10.91	2.65	11.63	2.70	12.45	2.72
	35	6.19	1.77	8.06	2.22	9.47	2.57	10.55	2.82	10.91	2.85	11.63	2.91	12.45	2.92
	40	6.19	1.79	8.06	2.25	9.47	2.61	10.02	2.86	10.36	2.89	11.05	2.95	11.83	2.97
	43	6.19	1.81	8.06	2.27	9.47	2.63	9.50	2.89	9.82	2.92	10.47	2.97	11.20	2.99
	46	6.19	1.82	8.06	2.29	8.79	2.65	8.97	2.91	9.28	2.94	9.89	3.00	10.58	3.01
7 + 7 + 12 + 12 + 18	20	6.19	1.15	8.06	1.44	9.47	1.67	10.55	1.83	10.91	1.85	11.63	1.89	12.45	1.90
	25	6.19	1.36	8.06	1.70	9.47	1.97	10.55	2.16	10.91	2.18	11.63	2.23	12.45	2.24
	32	6.19	1.65	8.06	2.07	9.47	2.39	10.55	2.63	10.91	2.65	11.63	2.70	12.45	2.72
	35	6.19	1.77	8.06	2.22	9.47	2.57	10.55	2.82	10.91	2.85	11.63	2.91	12.45	2.92
	40	6.19	1.79	8.06	2.25	9.47	2.61	10.02	2.86	10.36	2.89	11.05	2.95	11.83	2.97
	43	6.19	1.81	8.06	2.27	9.47	2.63	9.50	2.89	9.82	2.92	10.47	2.97	11.20	2.99
	46	6.19	1.82	8.06	2.29	8.79	2.65	8.97	2.91	9.28	2.94	9.89	3.00	10.58	3.01
7 + 7 + 7 + 12 + 24	20	6.19	1.15	8.06	1.44	9.47	1.67	10.55	1.83	10.91	1.85	11.63	1.89	12.45	1.90
	25	6.19	1.35	8.06	1.70	9.47	1.97	10.55	2.16	10.91	2.18	11.63	2.23	12.45	2.24
	32	6.19	1.64	8.06	2.06	9.47	2.39	10.55	2.62	10.91	2.65	11.63	2.70	12.45	2.72
	35	6.19	1.77	8.06	2.22	9.47	2.57	10.55	2.82	10.91	2.85	11.63	2.90	12.45	2.92
	40	6.19	1.79	8.06	2.25	9.47	2.61	10.02	2.86	10.36	2.89	11.05	2.94	11.83	2.96
	43	6.19	1.81	8.06	2.27	9.47	2.63	9.50	2.88	9.82	2.91	10.47	2.97	11.20	2.98
	46	6.19	1.82	8.06	2.29	8.79	2.65	8.97	2.90	9.28	2.93	9.89	2.99	10.58	3.01
7 + 7 + 7 + 18 + 18	20	6.19	1.13	8.06	1.42	9.47	1.65	10.55	1.81	10.91	1.83	11.63	1.86	12.45	1.87
	25	6.19	1.34	8.06	1.68	9.47	1.95	10.55	2.13	10.91	2.15	11.63	2.20	12.45	2.21
	32	6.19	1.62	8.06	2.04	9.47	2.36	10.55	2.59	10.91	2.62	11.63	2.67	12.45	2.68
	35	6.19	1.75	8.06	2.19	9.47	2.54	10.55	2.78	10.91	2.81	11.63	2.87	12.45	2.89
	40	6.19	1.77	8.06	2.22	9.47	2.57	10.02	2.82	10.36	2.85	11.05	2.91	11.83	2.92
	43	6.19	1.78	8.06	2.24	9.47	2.59	9.50	2.85	9.82	2.88	10.47	2.93	11.20	2.95
	46	6.19	1.80	8.06	2.26	8.79	2.62	8.97	2.87	9.28	2.90	9.89	2.96	10.58	2.97
9 + 9 + 9 + 12 + 18	20	6.19	1.15	8.06	1.44	9.47	1.67	10.55	1.83	10.91	1.85	11.63	1.89	12.45	1.90
	25	6.19	1.35	8.06	1.70	9.47	1.97	10.55	2.16	10.91	2.18	11.63	2.23	12.45	2.24
	32	6.19	1.64	8.06	2.06	9.47	2.39	10.55	2.62	10.91	2.65	11.63	2.70	12.45	2.72
	35	6.19	1.77	8.06	2.22	9.47	2.57	10.55	2.82	10.91	2.85	11.63	2.90	12.45	2.92
	40	6.19	1.79	8.06	2.25	9.47	2.61	10.02	2.86	10.36	2.89	11.05	2.94	11.83	2.96
	43	6.19	1.81	8.06	2.27	9.47	2.63	9.50	2.88	9.82	2.91	10.47	2.97	11.20	2.98
	46	6.19	1.82	8.06	2.29	8.79	2.65	8.97	2.90	9.28	2.93	9.89	2.99	10.58	3.01
9 + 12 + 12 + 12 + 12	20	6.19	1.16	8.06	1.46	9.47	1.69	10.55	1.85	10.91	1.87	11.63	1.91	12.45	1.92
	25	6.19	1.37	8.06	1.72	9.47	1.99	10.55	2.19	10.91	2.21	11.63	2.25	12.45	2.27
	32	6.19	1.66	8.06	2.09	9.47	2.42	10.55	2.65	10.91	2.68	11.63	2.73	12.45	2.75
	35	6.19	1.79	8.06	2.25	9.47	2.60	10.55	2.85	10.91	2.88	11.63	2.94	12.45	2.96
	40	6.19	1.81	8.06	2.28	9.47	2.64	10.02	2.89	10.36	2.92	11.05	2.98	11.83	3.00
	43	6.19	1.83	8.06	2.29	9.47	2.66	9.50	2.92	9.82	2.95	10.47	3.00	11.20	3.02
	46	6.19	1.84	8.06	2.31	8.79	2.68	8.97	2.94	9.28	2.97	9.89	3.03	10.58	3.05
48	6.19	1.86	8.06	2.33	8.27	2.70	8.44	2.91	8.68	2.94	9.16	3.00	9.72	3.02	

7. Capacity Tables

Note

- DB : Dry bulb temperature(°C), WB : Wet bulb temperature(°C)
- TC : Total capacity(kW)
- PI : Power Input (kW, Compressor + indoor fan motor + outdoor fan motor)
- All capacities are net. A deduction (cooling mode) or an addition (heating mode) of Capacity due to operating heat of indoor unit motor is reflected.
- Capacities are based on the following conditions :
 - Interconnecting Piping Length (Both Main pipe and Branch pipe) is standard length.
 - Difference of Elevation (Outdoor ~ Indoor Unit) is 0 m.
- Direct interpolation is permissible. Do not extrapolate.
- Rated capacities and power inputs are based on standard temperature and piping conditions, and it can be found on specifications table.
Except for rated value, the performance is not guaranteed.
- In accordance with the test standard(or nations) and indoor unit's combinations, the rating will vary slightly.

7. Capacity Tables

Z5UW48GFB1

Combi.	Outdoor Air Temp. (°C, DB)	Indoor Air Temp. (°C, DB/WB)													
		20.0 / 14.0		23.0 / 16.0		26.0 / 18.0		27.0 / 19.0		28.0 / 20.0		30.0 / 22.0		32.0 / 24.0	
		TC	PI	TC	PI	TC	PI	TC	PI	TC	PI	TC	PI	TC	PI
7 + 7	20	2.41	0.32	3.13	0.40	3.68	0.47	4.10	0.51	4.24	0.52	4.52	0.53	4.84	0.53
	25	2.41	0.38	3.13	0.48	3.68	0.55	4.10	0.60	4.24	0.61	4.52	0.62	4.84	0.63
	32	2.41	0.46	3.13	0.58	3.68	0.67	4.10	0.73	4.24	0.74	4.52	0.76	4.84	0.76
	35	2.41	0.49	3.13	0.62	3.68	0.72	4.10	0.79	4.24	0.80	4.52	0.81	4.84	0.82
	40	2.41	0.50	3.13	0.63	3.68	0.73	3.90	0.80	4.03	0.81	4.30	0.82	4.60	0.83
	43	2.41	0.51	3.13	0.63	3.68	0.74	3.69	0.81	3.82	0.82	4.07	0.83	4.36	0.84
	46	2.41	0.51	3.13	0.64	3.42	0.74	3.49	0.81	3.61	0.82	3.84	0.84	4.12	0.84
	48	2.41	0.51	3.13	0.64	3.22	0.75	3.28	0.80	3.37	0.81	3.56	0.83	3.78	0.83
7 + 9	20	2.75	0.38	3.58	0.48	4.21	0.56	4.69	0.61	4.85	0.62	5.17	0.63	5.53	0.64
	25	2.75	0.45	3.58	0.57	4.21	0.66	4.69	0.72	4.85	0.73	5.17	0.75	5.53	0.75
	32	2.75	0.55	3.58	0.69	4.21	0.80	4.69	0.88	4.85	0.89	5.17	0.90	5.53	0.91
	35	2.75	0.59	3.58	0.74	4.21	0.86	4.69	0.94	4.85	0.95	5.17	0.97	5.53	0.98
	40	2.75	0.60	3.58	0.75	4.21	0.87	4.46	0.96	4.61	0.97	4.91	0.99	5.26	0.99
	43	2.75	0.60	3.58	0.76	4.21	0.88	4.22	0.96	4.36	0.97	4.65	0.99	4.98	1.00
	46	2.75	0.61	3.58	0.76	3.91	0.89	3.99	0.97	4.12	0.98	4.39	1.00	4.70	1.01
	48	2.75	0.61	3.58	0.77	3.68	0.89	3.75	0.96	3.86	0.97	4.07	0.99	4.32	1.00
9 + 9	20	3.10	0.45	4.03	0.57	4.74	0.66	5.28	0.72	5.46	0.73	5.81	0.74	6.22	0.75
	25	3.10	0.53	4.03	0.67	4.74	0.78	5.28	0.85	5.46	0.86	5.81	0.88	6.22	0.88
	32	3.10	0.65	4.03	0.81	4.74	0.94	5.28	1.03	5.46	1.04	5.81	1.06	6.22	1.07
	35	3.10	0.70	4.03	0.87	4.74	1.01	5.28	1.11	5.46	1.12	5.81	1.14	6.22	1.15
	40	3.10	0.71	4.03	0.89	4.74	1.03	5.01	1.13	5.18	1.14	5.52	1.16	5.91	1.17
	43	3.10	0.71	4.03	0.89	4.74	1.04	4.75	1.14	4.91	1.15	5.23	1.17	5.60	1.18
	46	3.10	0.72	4.03	0.90	4.40	1.04	4.48	1.14	4.63	1.15	4.94	1.18	5.29	1.19
	48	3.10	0.72	4.03	0.91	4.14	1.05	4.22	1.13	4.34	1.14	4.58	1.17	4.86	1.17
7 + 12	20	3.27	0.49	4.25	0.61	5.00	0.71	5.57	0.78	5.76	0.79	6.14	0.80	6.57	0.81
	25	3.27	0.58	4.25	0.72	5.00	0.84	5.57	0.92	5.76	0.93	6.14	0.95	6.57	0.95
	32	3.27	0.70	4.25	0.88	5.00	1.02	5.57	1.12	5.76	1.13	6.14	1.15	6.57	1.16
	35	3.27	0.75	4.25	0.94	5.00	1.09	5.57	1.20	5.76	1.21	6.14	1.24	6.57	1.24
	40	3.27	0.76	4.25	0.96	5.00	1.11	5.29	1.22	5.47	1.23	5.83	1.25	6.24	1.26
	43	3.27	0.77	4.25	0.96	5.00	1.12	5.01	1.23	5.18	1.24	5.52	1.26	5.91	1.27
	46	3.27	0.77	4.25	0.97	4.64	1.13	4.73	1.24	4.89	1.25	5.22	1.27	5.58	1.28
	48	3.27	0.78	4.25	0.98	4.37	1.14	4.45	1.22	4.58	1.23	4.84	1.26	5.13	1.27
9 + 12	20	3.61	0.57	4.70	0.71	5.53	0.82	6.15	0.90	6.36	0.91	6.78	0.93	7.26	0.93
	25	3.61	0.67	4.70	0.84	5.53	0.97	6.15	1.06	6.36	1.07	6.78	1.10	7.26	1.10
	32	3.61	0.81	4.70	1.02	5.53	1.18	6.15	1.29	6.36	1.30	6.78	1.33	7.26	1.34
	35	3.61	0.87	4.70	1.09	5.53	1.27	6.15	1.39	6.36	1.40	6.78	1.43	7.26	1.44
	40	3.61	0.88	4.70	1.11	5.53	1.28	5.85	1.41	6.05	1.42	6.44	1.45	6.90	1.46
	43	3.61	0.89	4.70	1.12	5.53	1.29	5.54	1.42	5.73	1.43	6.11	1.46	6.54	1.47
	46	3.61	0.90	4.70	1.12	5.13	1.30	5.23	1.43	5.41	1.44	5.77	1.47	6.17	1.48
	48	3.61	0.90	4.70	1.13	4.83	1.31	4.92	1.42	5.06	1.43	5.34	1.46	5.67	1.47
12 + 12	20	4.13	0.69	5.37	0.87	6.32	1.01	7.03	1.10	7.27	1.11	7.75	1.14	8.30	1.14
	25	4.13	0.82	5.37	1.02	6.32	1.19	7.03	1.30	7.27	1.31	7.75	1.34	8.30	1.35
	32	4.13	0.99	5.37	1.24	6.32	1.44	7.03	1.58	7.27	1.60	7.75	1.63	8.30	1.64
	35	4.13	1.06	5.37	1.34	6.32	1.55	7.03	1.70	7.27	1.72	7.75	1.75	8.30	1.76
	40	4.13	1.08	5.37	1.35	6.32	1.57	6.68	1.72	6.91	1.74	7.36	1.77	7.88	1.78
	43	4.13	1.09	5.37	1.37	6.32	1.58	6.33	1.74	6.55	1.76	6.98	1.79	7.47	1.80
	46	4.13	1.10	5.37	1.38	5.86	1.59	5.98	1.75	6.18	1.77	6.59	1.80	7.05	1.81
	48	4.13	1.11	5.37	1.39	5.51	1.61	5.63	1.73	5.79	1.75	6.11	1.78	6.48	1.79
7 + 18	20	4.30	0.71	5.60	0.90	6.58	1.04	7.33	1.14	7.58	1.15	8.08	1.17	8.64	1.18
	25	4.30	0.84	5.60	1.06	6.58	1.23	7.33	1.35	7.58	1.36	8.08	1.39	8.64	1.39

7. Capacity Tables

Combi.	Outdoor Air Temp. (°C, DB)	Indoor Air Temp. (°C, DB/WB)													
		20.0 / 14.0		23.0 / 16.0		26.0 / 18.0		27.0 / 19.0		28.0 / 20.0		30.0 / 22.0		32.0 / 24.0	
		TC	PI	TC	PI	TC	PI	TC	PI	TC	PI	TC	PI	TC	PI
7 + 18	32	4.30	1.02	5.60	1.28	6.58	1.49	7.33	1.63	7.58	1.65	8.08	1.68	8.64	1.69
	35	4.30	1.10	5.60	1.38	6.58	1.60	7.33	1.76	7.58	1.78	8.08	1.81	8.64	1.82
	40	4.30	1.12	5.60	1.40	6.58	1.62	6.96	1.78	7.20	1.80	7.67	1.83	8.21	1.84
	43	4.30	1.12	5.60	1.41	6.58	1.64	6.59	1.79	6.82	1.81	7.27	1.85	7.78	1.86
	46	4.30	1.13	5.60	1.42	6.10	1.65	6.23	1.81	6.44	1.83	6.86	1.86	7.35	1.87
	48	4.30	1.14	5.60	1.43	5.74	1.66	5.86	1.79	6.03	1.81	6.36	1.84	6.75	1.85
9 + 18	20	4.65	0.81	6.04	1.01	7.11	1.17	7.91	1.29	8.18	1.30	8.72	1.33	9.34	1.34
	25	4.65	0.95	6.04	1.20	7.11	1.39	7.91	1.52	8.18	1.54	8.72	1.57	9.34	1.58
	32	4.65	1.16	6.04	1.45	7.11	1.68	7.91	1.84	8.18	1.86	8.72	1.90	9.34	1.91
	35	4.65	1.24	6.04	1.56	7.11	1.81	7.91	1.98	8.18	2.00	8.72	2.04	9.34	2.06
	40	4.65	1.26	6.04	1.58	7.11	1.83	7.52	2.01	7.78	2.03	8.29	2.07	8.87	2.08
	43	4.65	1.27	6.04	1.60	7.11	1.85	7.12	2.03	7.36	2.05	7.85	2.09	8.40	2.10
	46	4.65	1.28	6.04	1.61	6.59	1.86	6.73	2.04	6.96	2.06	7.41	2.11	7.94	2.12
48	4.65	1.29	6.04	1.62	6.20	1.88	6.33	2.02	6.51	2.04	6.87	2.08	7.29	2.10	
12 + 18	20	5.16	0.96	6.71	1.21	7.89	1.40	8.79	1.53	9.09	1.55	9.69	1.58	10.37	1.59
	25	5.16	1.13	6.71	1.42	7.89	1.65	8.79	1.81	9.09	1.83	9.69	1.86	10.37	1.87
	32	5.16	1.38	6.71	1.73	7.89	2.00	8.79	2.19	9.09	2.21	9.69	2.26	10.37	2.27
	35	5.16	1.48	6.71	1.86	7.89	2.15	8.79	2.36	9.09	2.38	9.69	2.43	10.37	2.45
	40	5.16	1.50	6.71	1.88	7.89	2.18	8.35	2.39	8.64	2.41	9.21	2.46	9.85	2.48
	43	5.16	1.51	6.71	1.90	7.89	2.20	7.91	2.41	8.18	2.43	8.72	2.48	9.34	2.50
	46	5.16	1.52	6.71	1.91	7.33	2.22	7.47	2.43	7.73	2.45	8.24	2.50	8.82	2.52
48	5.16	1.54	6.71	1.93	6.89	2.23	7.03	2.41	7.23	2.43	7.63	2.48	8.10	2.49	
7 + 24	20	5.33	1.02	6.94	1.28	8.16	1.48	9.09	1.62	9.40	1.64	10.01	1.67	10.72	1.68
	25	5.33	1.20	6.94	1.50	8.16	1.74	9.09	1.91	9.40	1.93	10.01	1.97	10.72	1.98
	32	5.33	1.45	6.94	1.83	8.16	2.11	9.09	2.32	9.40	2.34	10.01	2.39	10.72	2.40
	35	5.33	1.56	6.94	1.96	8.16	2.27	9.09	2.49	9.40	2.52	10.01	2.57	10.72	2.58
	40	5.33	1.59	6.94	1.99	8.16	2.31	8.63	2.53	8.92	2.55	9.51	2.60	10.18	2.62
	43	5.33	1.60	6.94	2.01	8.16	2.32	8.18	2.55	8.46	2.58	9.01	2.63	9.65	2.64
	46	5.33	1.61	6.94	2.02	7.57	2.34	7.72	2.57	7.98	2.60	8.51	2.65	9.11	2.66
48	5.33	1.62	6.94	2.04	7.12	2.36	7.27	2.54	7.48	2.57	7.89	2.62	8.37	2.64	
9 + 24	20	5.68	1.13	7.39	1.42	8.68	1.65	9.67	1.81	10.00	1.83	10.66	1.86	11.41	1.87
	25	5.68	1.34	7.39	1.68	8.68	1.94	9.67	2.13	10.00	2.15	10.66	2.19	11.41	2.21
	32	5.68	1.62	7.39	2.03	8.68	2.36	9.67	2.58	10.00	2.61	10.66	2.66	11.41	2.68
	35	5.68	1.74	7.39	2.19	8.68	2.53	9.67	2.78	10.00	2.81	10.66	2.86	11.41	2.88
	40	5.68	1.77	7.39	2.22	8.68	2.57	9.19	2.82	9.50	2.85	10.13	2.90	10.84	2.92
	43	5.68	1.78	7.39	2.23	8.68	2.59	8.71	2.84	9.00	2.87	9.59	2.93	10.27	2.94
	46	5.68	1.79	7.39	2.25	8.06	2.61	8.22	2.86	8.50	2.89	9.06	2.95	9.70	2.97
48	5.68	1.81	7.39	2.27	7.58	2.63	7.74	2.83	7.96	2.86	8.40	2.92	8.91	2.94	
18 + 18	20	6.19	1.28	8.06	1.61	9.47	1.86	10.55	2.04	10.91	2.06	11.63	2.10	12.45	2.12
	25	6.19	1.51	8.06	1.90	9.47	2.20	10.55	2.41	10.91	2.43	11.63	2.48	12.45	2.50
	32	6.19	1.83	8.06	2.30	9.47	2.67	10.55	2.93	10.91	2.96	11.63	3.01	12.45	3.03
	35	6.19	1.97	8.06	2.48	9.47	2.87	10.55	3.15	10.91	3.18	11.63	3.24	12.45	3.26
	40	6.19	2.00	8.06	2.51	9.47	2.91	10.02	3.19	10.36	3.22	11.05	3.28	11.83	3.30
	43	6.19	2.01	8.06	2.53	9.47	2.93	9.50	3.21	9.82	3.24	10.47	3.31	11.20	3.33
	46	6.19	2.03	8.06	2.55	8.79	2.95	8.97	3.24	9.28	3.27	9.89	3.34	10.58	3.36
48	6.19	2.05	8.06	2.57	8.27	2.98	8.44	3.21	8.68	3.24	9.16	3.31	9.72	3.32	
12 + 24	20	6.19	1.32	8.06	1.66	9.47	1.92	10.55	2.11	10.91	2.13	11.63	2.17	12.45	2.18
	25	6.19	1.56	8.06	1.96	9.47	2.27	10.55	2.49	10.91	2.51	11.63	2.56	12.45	2.58
	32	6.19	1.89	8.06	2.38	9.47	2.75	10.55	3.02	10.91	3.05	11.63	3.11	12.45	3.13
	35	6.19	2.03	8.06	2.55	9.47	2.96	10.55	3.25	10.91	3.28	11.63	3.34	12.45	3.36
	40	6.19	2.06	8.06	2.59	9.47	3.00	10.02	3.29	10.36	3.32	11.05	3.39	11.83	3.41

7. Capacity Tables

Combi.	Outdoor Air Temp. (°C, DB)	Indoor Air Temp. (°C, DB/WB)													
		20.0 / 14.0		23.0 / 16.0		26.0 / 18.0		27.0 / 19.0		28.0 / 20.0		30.0 / 22.0		32.0 / 24.0	
		TC	PI	TC	PI	TC	PI	TC	PI	TC	PI	TC	PI	TC	PI
12 + 24	43	6.19	2.08	8.06	2.61	9.47	3.02	9.50	3.32	9.82	3.35	10.47	3.42	11.20	3.44
	46	6.19	2.10	8.06	2.63	8.79	3.05	8.97	3.34	9.28	3.37	9.89	3.44	10.58	3.46
	48	6.19	2.11	8.06	2.65	8.27	3.07	8.44	3.31	8.68	3.34	9.16	3.41	9.72	3.43
18 + 24	20	7.23	1.71	9.40	2.15	11.05	2.49	12.31	2.73	12.73	2.76	13.57	2.81	14.52	2.83
	25	7.23	2.02	9.40	2.54	11.05	2.94	12.31	3.22	12.73	3.25	13.57	3.32	14.52	3.34
	32	7.23	2.45	9.40	3.08	11.05	3.57	12.31	3.91	12.73	3.95	13.57	4.03	14.52	4.05
	35	7.23	2.64	9.40	3.31	11.05	3.83	12.31	4.21	12.73	4.25	13.57	4.33	14.52	4.36
	40	7.23	2.67	9.40	3.35	11.05	3.89	11.69	4.26	12.09	4.30	12.89	4.39	13.80	4.42
	43	7.23	2.69	9.40	3.38	11.05	3.92	11.08	4.30	11.46	4.34	12.21	4.43	13.07	4.45
	46	7.23	2.72	9.40	3.41	10.26	3.95	10.46	4.33	10.82	4.37	11.53	4.46	12.35	4.49
24 + 24	20	8.22	2.22	10.70	2.79	12.58	3.23	14.01	3.55	14.49	3.58	15.44	3.65	16.53	3.68
	25	8.22	2.62	10.70	3.29	12.58	3.82	14.01	4.19	14.49	4.23	15.44	4.31	16.53	4.34
	32	8.22	3.18	10.70	4.00	12.58	4.63	14.01	5.08	14.49	5.13	15.44	5.23	16.53	5.26
	35	8.22	3.42	10.70	4.30	12.58	4.98	14.01	5.46	14.49	5.52	15.44	5.63	16.53	5.66
	40	8.22	3.47	10.70	4.36	12.58	5.05	13.31	5.54	13.76	5.59	14.67	5.70	15.70	5.74
	43	8.22	3.50	10.70	4.39	12.58	5.09	12.61	5.58	13.04	5.64	13.90	5.75	14.88	5.78
	46	8.22	3.53	10.70	4.43	11.67	5.13	11.91	5.63	12.32	5.69	13.13	5.80	14.05	5.83
7 + 7 + 7	20	3.61	0.54	4.70	0.67	5.53	0.78	6.15	0.85	6.36	0.86	6.78	0.88	7.26	0.89
	25	3.61	0.63	4.70	0.79	5.53	0.92	6.15	1.01	6.36	1.02	6.78	1.04	7.26	1.04
	32	3.61	0.77	4.70	0.96	5.53	1.12	6.15	1.22	6.36	1.23	6.78	1.26	7.26	1.27
	35	3.61	0.82	4.70	1.04	5.53	1.20	6.15	1.32	6.36	1.33	6.78	1.36	7.26	1.36
	40	3.61	0.84	4.70	1.05	5.53	1.22	5.85	1.33	6.05	1.34	6.44	1.37	6.90	1.38
	43	3.61	0.84	4.70	1.06	5.53	1.23	5.54	1.34	5.73	1.36	6.11	1.39	6.54	1.39
	46	3.61	0.85	4.70	1.07	5.13	1.24	5.23	1.36	5.41	1.37	5.77	1.40	6.17	1.40
7 + 7 + 9	20	3.96	0.61	5.15	0.77	6.05	0.89	6.74	0.97	6.97	0.98	7.43	1.00	7.95	1.01
	25	3.96	0.72	5.15	0.90	6.05	1.05	6.74	1.15	6.97	1.16	7.43	1.18	7.95	1.19
	32	3.96	0.87	5.15	1.10	6.05	1.27	6.74	1.39	6.97	1.41	7.43	1.44	7.95	1.44
	35	3.96	0.94	5.15	1.18	6.05	1.37	6.74	1.50	6.97	1.51	7.43	1.54	7.95	1.55
	40	3.96	0.95	5.15	1.20	6.05	1.38	6.40	1.52	6.62	1.53	7.06	1.56	7.56	1.57
	43	3.96	0.96	5.15	1.20	6.05	1.40	6.07	1.53	6.28	1.55	6.69	1.58	7.16	1.59
	46	3.96	0.97	5.15	1.21	5.62	1.41	5.73	1.54	5.93	1.56	6.32	1.59	6.76	1.60
7 + 9 + 9	20	4.30	0.69	5.60	0.87	6.58	1.00	7.33	1.10	7.58	1.11	8.08	1.13	8.64	1.14
	25	4.30	0.81	5.60	1.02	6.58	1.18	7.33	1.30	7.58	1.31	8.08	1.34	8.64	1.34
	32	4.30	0.99	5.60	1.24	6.58	1.44	7.33	1.57	7.58	1.59	8.08	1.62	8.64	1.63
	35	4.30	1.06	5.60	1.33	6.58	1.54	7.33	1.69	7.58	1.71	8.08	1.74	8.64	1.75
	40	4.30	1.08	5.60	1.35	6.58	1.57	6.96	1.72	7.20	1.74	7.67	1.77	8.21	1.78
	43	4.30	1.08	5.60	1.36	6.58	1.58	6.59	1.73	6.82	1.75	7.27	1.78	7.78	1.79
	46	4.30	1.09	5.60	1.37	6.10	1.59	6.23	1.74	6.44	1.76	6.86	1.80	7.35	1.81
7 + 7 + 12	20	4.47	0.73	5.82	0.92	6.84	1.06	7.62	1.17	7.88	1.18	8.40	1.20	8.99	1.21
	25	4.47	0.86	5.82	1.08	6.84	1.25	7.62	1.38	7.88	1.39	8.40	1.42	8.99	1.43
	32	4.47	1.05	5.82	1.31	6.84	1.52	7.62	1.67	7.88	1.69	8.40	1.72	8.99	1.73
	35	4.47	1.13	5.82	1.41	6.84	1.64	7.62	1.80	7.88	1.82	8.40	1.85	8.99	1.86
	40	4.47	1.14	5.82	1.43	6.84	1.66	7.24	1.82	7.49	1.84	7.98	1.88	8.54	1.89
	43	4.47	1.15	5.82	1.44	6.84	1.67	6.86	1.84	7.09	1.86	7.56	1.89	8.09	1.90
	46	4.47	1.16	5.82	1.46	6.35	1.69	6.48	1.85	6.70	1.87	7.14	1.91	7.64	1.92
48	4.47	1.17	5.82	1.47	5.97	1.70	6.10	1.83	6.27	1.85	6.62	1.89	7.02	1.90	

7. Capacity Tables

Combi.	Outdoor Air Temp. (°C, DB)	Indoor Air Temp. (°C, DB/WB)													
		20.0 / 14.0		23.0 / 16.0		26.0 / 18.0		27.0 / 19.0		28.0 / 20.0		30.0 / 22.0		32.0 / 24.0	
		TC	PI	TC	PI	TC	PI	TC	PI	TC	PI	TC	PI	TC	PI
9 + 9 + 9	20	4.65	0.77	6.04	0.97	7.11	1.13	7.91	1.24	8.18	1.25	8.72	1.27	9.34	1.28
	25	4.65	0.91	6.04	1.15	7.11	1.33	7.91	1.46	8.18	1.47	8.72	1.50	9.34	1.51
	32	4.65	1.11	6.04	1.39	7.11	1.61	7.91	1.77	8.18	1.79	8.72	1.82	9.34	1.83
	35	4.65	1.19	6.04	1.50	7.11	1.73	7.91	1.90	8.18	1.92	8.72	1.96	9.34	1.97
	40	4.65	1.21	6.04	1.52	7.11	1.76	7.52	1.93	7.78	1.95	8.29	1.99	8.87	2.00
	43	4.65	1.22	6.04	1.53	7.11	1.77	7.12	1.94	7.36	1.96	7.85	2.00	8.40	2.01
	46	4.65	1.23	6.04	1.54	6.59	1.79	6.73	1.96	6.96	1.98	7.41	2.02	7.94	2.03
	48	4.65	1.24	6.04	1.55	6.20	1.80	6.33	1.94	6.51	1.96	6.87	2.00	7.29	2.01
7 + 9 + 12	20	4.82	0.82	6.27	1.03	7.37	1.19	8.21	1.31	8.49	1.32	9.04	1.35	9.68	1.35
	25	4.82	0.97	6.27	1.21	7.37	1.40	8.21	1.54	8.49	1.56	9.04	1.59	9.68	1.60
	32	4.82	1.17	6.27	1.47	7.37	1.70	8.21	1.87	8.49	1.89	9.04	1.93	9.68	1.94
	35	4.82	1.26	6.27	1.58	7.37	1.83	8.21	2.01	8.49	2.03	9.04	2.07	9.68	2.08
	40	4.82	1.28	6.27	1.60	7.37	1.86	7.80	2.04	8.06	2.06	8.59	2.10	9.20	2.11
	43	4.82	1.29	6.27	1.62	7.37	1.87	7.39	2.05	7.64	2.07	8.14	2.12	8.71	2.13
	46	4.82	1.30	6.27	1.63	6.84	1.89	6.98	2.07	7.22	2.09	7.69	2.13	8.23	2.15
	48	4.82	1.31	6.27	1.64	6.43	1.90	6.57	2.05	6.76	2.07	7.13	2.11	7.56	2.13
9 + 9 + 12	20	5.16	0.91	6.71	1.14	7.89	1.33	8.79	1.46	9.09	1.47	9.69	1.50	10.37	1.51
	25	5.16	1.08	6.71	1.35	7.89	1.57	8.79	1.72	9.09	1.74	9.69	1.77	10.37	1.78
	32	5.16	1.31	6.71	1.64	7.89	1.90	8.79	2.08	9.09	2.10	9.69	2.15	10.37	2.16
	35	5.16	1.40	6.71	1.76	7.89	2.04	8.79	2.24	9.09	2.26	9.69	2.31	10.37	2.32
	40	5.16	1.42	6.71	1.79	7.89	2.07	8.35	2.27	8.64	2.29	9.21	2.34	9.85	2.35
	43	5.16	1.43	6.71	1.80	7.89	2.09	7.91	2.29	8.18	2.31	8.72	2.36	9.34	2.37
	46	5.16	1.45	6.71	1.82	7.33	2.10	7.47	2.31	7.73	2.33	8.24	2.38	8.82	2.39
	48	5.16	1.46	6.71	1.83	6.89	2.12	7.03	2.29	7.23	2.31	7.63	2.35	8.10	2.37
7 + 12 + 12	20	5.33	0.96	6.94	1.21	8.16	1.40	9.09	1.53	9.40	1.55	10.01	1.58	10.72	1.59
	25	5.33	1.13	6.94	1.42	8.16	1.65	9.09	1.81	9.40	1.83	10.01	1.86	10.72	1.87
	32	5.33	1.38	6.94	1.73	8.16	2.00	9.09	2.20	9.40	2.22	10.01	2.26	10.72	2.27
	35	5.33	1.48	6.94	1.86	8.16	2.15	9.09	2.36	9.40	2.38	10.01	2.43	10.72	2.45
	40	5.33	1.50	6.94	1.88	8.16	2.18	8.63	2.39	8.92	2.41	9.51	2.46	10.18	2.48
	43	5.33	1.51	6.94	1.90	8.16	2.20	8.18	2.41	8.46	2.43	9.01	2.48	9.65	2.50
	46	5.33	1.52	6.94	1.91	7.57	2.22	7.72	2.43	7.98	2.45	8.51	2.50	9.11	2.52
	48	5.33	1.54	6.94	1.93	7.12	2.23	7.27	2.41	7.48	2.43	7.89	2.48	8.37	2.49
7 + 7 + 18	20	5.51	0.99	7.16	1.24	8.42	1.44	9.38	1.58	9.70	1.60	10.34	1.63	11.06	1.64
	25	5.51	1.17	7.16	1.47	8.42	1.70	9.38	1.87	9.70	1.89	10.34	1.92	11.06	1.93
	32	5.51	1.42	7.16	1.78	8.42	2.06	9.38	2.26	9.70	2.28	10.34	2.33	11.06	2.35
	35	5.51	1.53	7.16	1.92	8.42	2.22	9.38	2.44	9.70	2.46	10.34	2.51	11.06	2.52
	40	5.51	1.55	7.16	1.94	8.42	2.25	8.91	2.47	9.21	2.49	9.82	2.54	10.51	2.56
	43	5.51	1.56	7.16	1.96	8.42	2.27	8.44	2.49	8.73	2.51	9.30	2.56	9.96	2.58
	46	5.51	1.57	7.16	1.97	7.81	2.29	7.97	2.51	8.24	2.53	8.79	2.58	9.41	2.60
	48	5.51	1.58	7.16	1.99	7.35	2.31	7.50	2.48	7.71	2.51	8.14	2.56	8.64	2.57
9 + 12 + 12	20	5.68	1.06	7.39	1.34	8.68	1.55	9.67	1.70	10.00	1.72	10.66	1.75	11.41	1.76
	25	5.68	1.26	7.39	1.58	8.68	1.83	9.67	2.00	10.00	2.02	10.66	2.06	11.41	2.07
	32	5.68	1.52	7.39	1.91	8.68	2.22	9.67	2.43	10.00	2.45	10.66	2.50	11.41	2.52
	35	5.68	1.64	7.39	2.06	8.68	2.38	9.67	2.61	10.00	2.64	10.66	2.69	11.41	2.71
	40	5.68	1.66	7.39	2.08	8.68	2.41	9.19	2.65	9.50	2.68	10.13	2.73	10.84	2.74
	43	5.68	1.67	7.39	2.10	8.68	2.43	8.71	2.67	9.00	2.70	9.59	2.75	10.27	2.77
	46	5.68	1.69	7.39	2.12	8.06	2.45	8.22	2.69	8.50	2.72	9.06	2.77	9.70	2.79
	48	5.68	1.70	7.39	2.14	7.58	2.47	7.74	2.67	7.96	2.70	8.40	2.75	8.91	2.76
7 + 9 + 18	20	5.85	1.10	7.61	1.38	8.95	1.59	9.96	1.75	10.30	1.77	10.98	1.80	11.76	1.81
	25	5.85	1.29	7.61	1.62	8.95	1.88	9.96	2.06	10.30	2.08	10.98	2.12	11.76	2.14
	32	5.85	1.57	7.61	1.97	8.95	2.28	9.96	2.50	10.30	2.53	10.98	2.58	11.76	2.59

7. Capacity Tables

Combi.	Outdoor Air Temp. (°C, DB)	Indoor Air Temp. (°C, DB/WB)													
		20.0 / 14.0		23.0 / 16.0		26.0 / 18.0		27.0 / 19.0		28.0 / 20.0		30.0 / 22.0		32.0 / 24.0	
		TC	PI	TC	PI	TC	PI	TC	PI	TC	PI	TC	PI	TC	PI
7 + 9 + 18	35	5.85	1.69	7.61	2.12	8.95	2.45	9.96	2.69	10.30	2.72	10.98	2.77	11.76	2.79
	40	5.85	1.71	7.61	2.15	8.95	2.49	9.47	2.73	9.79	2.76	10.43	2.81	11.17	2.83
	43	5.85	1.72	7.61	2.16	8.95	2.51	8.97	2.75	9.27	2.78	9.88	2.83	10.58	2.85
	46	5.85	1.74	7.61	2.18	8.30	2.53	8.47	2.77	8.76	2.80	9.34	2.85	9.99	2.87
	48	5.85	1.75	7.61	2.20	7.81	2.55	7.97	2.74	8.20	2.77	8.65	2.83	9.18	2.84
9 + 9 + 18	20	6.19	1.21	8.06	1.51	9.47	1.75	10.55	1.92	10.91	1.94	11.63	1.98	12.45	1.99
	25	6.19	1.42	8.06	1.79	9.47	2.07	10.55	2.27	10.91	2.29	11.63	2.34	12.45	2.35
	32	6.19	1.73	8.06	2.17	9.47	2.51	10.55	2.75	10.91	2.78	11.63	2.84	12.45	2.85
	35	6.19	1.86	8.06	2.33	9.47	2.70	10.55	2.96	10.91	2.99	11.63	3.05	12.45	3.07
	40	6.19	1.88	8.06	2.36	9.47	2.74	10.02	3.00	10.36	3.03	11.05	3.09	11.83	3.11
	43	6.19	1.90	8.06	2.38	9.47	2.76	9.50	3.03	9.82	3.06	10.47	3.12	11.20	3.14
	46	6.19	1.91	8.06	2.40	8.79	2.78	8.97	3.05	9.28	3.08	9.89	3.14	10.58	3.16
12 + 12 + 1 ²	20	6.19	1.23	8.06	1.54	9.47	1.79	10.55	1.96	10.91	1.98	11.63	2.02	12.45	2.03
	25	6.19	1.45	8.06	1.82	9.47	2.11	10.55	2.32	10.91	2.34	11.63	2.39	12.45	2.40
	32	6.19	1.76	8.06	2.21	9.47	2.56	10.55	2.81	10.91	2.84	11.63	2.90	12.45	2.91
	35	6.19	1.89	8.06	2.38	9.47	2.76	10.55	3.02	10.91	3.05	11.63	3.11	12.45	3.13
	40	6.19	1.92	8.06	2.41	9.47	2.79	10.02	3.06	10.36	3.09	11.05	3.16	11.83	3.17
	43	6.19	1.94	8.06	2.43	9.47	2.82	9.50	3.09	9.82	3.12	10.47	3.18	11.20	3.20
	46	6.19	1.95	8.06	2.45	8.79	2.84	8.97	3.11	9.28	3.14	9.89	3.21	10.58	3.23
7 + 12 + 18	20	6.37	1.26	8.28	1.59	9.74	1.84	10.84	2.02	11.21	2.04	11.95	2.08	12.79	2.09
	25	6.37	1.49	8.28	1.87	9.74	2.17	10.84	2.38	11.21	2.40	11.95	2.45	12.79	2.47
	32	6.37	1.81	8.28	2.27	9.74	2.63	10.84	2.89	11.21	2.92	11.95	2.97	12.79	2.99
	35	6.37	1.95	8.28	2.44	9.74	2.83	10.84	3.10	11.21	3.13	11.95	3.20	12.79	3.22
	40	6.37	1.97	8.28	2.48	9.74	2.87	10.30	3.15	10.65	3.18	11.35	3.24	12.15	3.26
	43	6.37	1.99	8.28	2.50	9.74	2.89	9.76	3.17	10.09	3.20	10.76	3.27	11.51	3.29
	46	6.37	2.00	8.28	2.52	9.03	2.92	9.22	3.20	9.53	3.23	10.16	3.29	10.88	3.31
7 + 7 + 24	20	6.54	1.32	8.50	1.66	10.00	1.93	11.14	2.11	11.52	2.13	12.27	2.18	13.14	2.19
	25	6.54	1.56	8.50	1.96	10.00	2.27	11.14	2.49	11.52	2.52	12.27	2.57	13.14	2.58
	32	6.54	1.90	8.50	2.38	10.00	2.76	11.14	3.02	11.52	3.05	12.27	3.12	13.14	3.13
	35	6.54	2.04	8.50	2.56	10.00	2.96	11.14	3.25	11.52	3.28	12.27	3.35	13.14	3.37
	40	6.54	2.07	8.50	2.59	10.00	3.01	10.58	3.30	10.94	3.33	11.66	3.40	12.48	3.42
	43	6.54	2.08	8.50	2.61	10.00	3.03	10.02	3.32	10.36	3.35	11.05	3.42	11.83	3.44
	46	6.54	2.10	8.50	2.64	9.28	3.05	9.47	3.35	9.79	3.38	10.43	3.45	11.17	3.47
9 + 12 + 18	20	6.71	1.39	8.73	1.74	10.26	2.02	11.43	2.21	11.82	2.23	12.60	2.28	13.48	2.29
	25	6.71	1.63	8.73	2.05	10.26	2.38	11.43	2.61	11.82	2.64	12.60	2.69	13.48	2.70
	32	6.71	1.98	8.73	2.49	10.26	2.89	11.43	3.17	11.82	3.20	12.60	3.26	13.48	3.28
	35	6.71	2.13	8.73	2.68	10.26	3.10	11.43	3.40	11.82	3.44	12.60	3.51	13.48	3.53
	40	6.71	2.16	8.73	2.71	10.26	3.15	10.86	3.45	11.23	3.48	11.97	3.55	12.81	3.57
	43	6.71	2.18	8.73	2.74	10.26	3.17	10.29	3.48	10.64	3.51	11.34	3.58	12.14	3.60
	46	6.71	2.20	8.73	2.76	9.52	3.20	9.72	3.51	10.05	3.54	10.71	3.61	11.46	3.63
7 + 9 + 24	20	6.88	1.45	8.95	1.82	10.53	2.11	11.72	2.31	12.12	2.33	12.92	2.38	13.83	2.40
	25	6.88	1.71	8.95	2.15	10.53	2.49	11.72	2.73	12.12	2.76	12.92	2.81	13.83	2.83
	32	6.88	2.08	8.95	2.60	10.53	3.02	11.72	3.31	12.12	3.34	12.92	3.41	13.83	3.43
	35	6.88	2.23	8.95	2.80	10.53	3.25	11.72	3.56	12.12	3.60	12.92	3.67	13.83	3.69
	40	6.88	2.26	8.95	2.84	10.53	3.29	11.14	3.61	11.52	3.65	12.27	3.72	13.14	3.74
	43	6.88	2.28	8.95	2.86	10.53	3.32	10.55	3.64	10.91	3.68	11.63	3.75	12.45	3.77

7. Capacity Tables

Combi.	Outdoor Air Temp. (°C, DB)	Indoor Air Temp. (°C, DB/WB)													
		20.0 / 14.0		23.0 / 16.0		26.0 / 18.0		27.0 / 19.0		28.0 / 20.0		30.0 / 22.0		32.0 / 24.0	
		TC	PI	TC	PI	TC	PI	TC	PI	TC	PI	TC	PI	TC	PI
7 + 9 + 24	46	6.88	2.30	8.95	2.89	9.77	3.34	9.97	3.67	10.31	3.71	10.98	3.78	11.76	3.80
	48	6.88	2.32	8.95	2.91	9.19	3.37	9.38	3.63	9.65	3.67	10.18	3.74	10.80	3.76
9 + 9 + 24	20	7.23	1.58	9.40	1.99	11.05	2.30	12.31	2.53	12.73	2.55	13.57	2.60	14.52	2.62
	25	7.23	1.87	9.40	2.34	11.05	2.72	12.31	2.98	12.73	3.01	13.57	3.07	14.52	3.09
	32	7.23	2.27	9.40	2.84	11.05	3.30	12.31	3.62	12.73	3.65	13.57	3.72	14.52	3.75
	35	7.23	2.44	9.40	3.06	11.05	3.54	12.31	3.89	12.73	3.93	13.57	4.00	14.52	4.03
	40	7.23	2.47	9.40	3.10	11.05	3.59	11.69	3.94	12.09	3.98	12.89	4.06	13.80	4.08
	43	7.23	2.49	9.40	3.13	11.05	3.62	11.08	3.97	11.46	4.01	12.21	4.09	13.07	4.12
	46	7.23	2.51	9.40	3.15	10.26	3.65	10.46	4.00	10.82	4.04	11.53	4.12	12.35	4.15
	48	7.23	2.53	9.40	3.18	9.65	3.68	9.85	3.97	10.13	4.01	10.69	4.08	11.34	4.11
12 + 12 + 18	20	7.23	1.58	9.40	1.99	11.05	2.30	12.31	2.53	12.73	2.55	13.57	2.60	14.52	2.62
	25	7.23	1.87	9.40	2.34	11.05	2.72	12.31	2.98	12.73	3.01	13.57	3.07	14.52	3.09
	32	7.23	2.27	9.40	2.84	11.05	3.30	12.31	3.62	12.73	3.65	13.57	3.72	14.52	3.75
	35	7.23	2.44	9.40	3.06	11.05	3.54	12.31	3.89	12.73	3.93	13.57	4.00	14.52	4.03
	40	7.23	2.47	9.40	3.10	11.05	3.59	11.69	3.94	12.09	3.98	12.89	4.06	13.80	4.08
	43	7.23	2.49	9.40	3.13	11.05	3.62	11.08	3.97	11.46	4.01	12.21	4.09	13.07	4.12
	46	7.23	2.51	9.40	3.15	10.26	3.65	10.46	4.00	10.82	4.04	11.53	4.12	12.35	4.15
	48	7.23	2.53	9.40	3.18	9.65	3.68	9.85	3.97	10.13	4.01	10.69	4.08	11.34	4.11
7 + 12 + 24	20	7.40	1.65	9.62	2.07	11.32	2.40	12.60	2.64	13.03	2.67	13.89	2.72	14.87	2.73
	25	7.40	1.95	9.62	2.45	11.32	2.84	12.60	3.11	13.03	3.14	13.89	3.20	14.87	3.22
	32	7.40	2.37	9.62	2.97	11.32	3.44	12.60	3.77	13.03	3.81	13.89	3.89	14.87	3.91
	35	7.40	2.54	9.62	3.19	11.32	3.70	12.60	4.06	13.03	4.10	13.89	4.18	14.87	4.21
	40	7.40	2.58	9.62	3.24	11.32	3.75	11.97	4.11	12.38	4.15	13.20	4.24	14.12	4.26
	43	7.40	2.60	9.62	3.26	11.32	3.78	11.34	4.15	11.73	4.19	12.50	4.27	13.38	4.30
	46	7.40	2.62	9.62	3.29	10.50	3.81	10.71	4.18	11.08	4.22	11.81	4.31	12.64	4.33
	48	7.40	2.64	9.62	3.32	9.88	3.84	10.08	4.14	10.37	4.18	10.94	4.27	11.61	4.29
7 + 18 + 18	20	7.40	1.62	9.62	2.03	11.32	2.35	12.60	2.58	13.03	2.61	13.89	2.66	14.87	2.68
	25	7.40	1.91	9.62	2.40	11.32	2.78	12.60	3.05	13.03	3.08	13.89	3.14	14.87	3.16
	32	7.40	2.32	9.62	2.91	11.32	3.37	12.60	3.70	13.03	3.74	13.89	3.81	14.87	3.83
	35	7.40	2.49	9.62	3.13	11.32	3.63	12.60	3.98	13.03	4.02	13.89	4.10	14.87	4.12
	40	7.40	2.53	9.62	3.17	11.32	3.67	11.97	4.03	12.38	4.07	13.20	4.15	14.12	4.18
	43	7.40	2.55	9.62	3.20	11.32	3.70	11.34	4.06	11.73	4.10	12.50	4.19	13.38	4.21
	46	7.40	2.57	9.62	3.22	10.50	3.73	10.71	4.10	11.08	4.14	11.81	4.22	12.64	4.24
	48	7.40	2.59	9.62	3.25	9.88	3.76	10.08	4.06	10.37	4.10	10.94	4.18	11.61	4.20
9 + 12 + 24	20	7.74	1.80	10.07	2.26	11.84	2.62	13.19	2.87	13.64	2.90	14.54	2.96	15.56	2.97
	25	7.74	2.12	10.07	2.66	11.84	3.09	13.19	3.39	13.64	3.42	14.54	3.49	15.56	3.51
	32	7.74	2.58	10.07	3.23	11.84	3.75	13.19	4.11	13.64	4.15	14.54	4.23	15.56	4.26
	35	7.74	2.77	10.07	3.48	11.84	4.03	13.19	4.42	13.64	4.46	14.54	4.55	15.56	4.58
	40	7.74	2.81	10.07	3.52	11.84	4.08	12.53	4.48	12.96	4.52	13.81	4.61	14.78	4.64
	43	7.74	2.83	10.07	3.55	11.84	4.12	11.87	4.51	12.27	4.56	13.08	4.65	14.00	4.68
	46	7.74	2.85	10.07	3.58	10.99	4.15	11.21	4.55	11.59	4.60	12.36	4.69	13.23	4.71
	48	7.74	2.88	10.07	3.61	10.34	4.18	10.55	4.51	10.85	4.55	11.45	4.64	12.15	4.67
9 + 18 + 18	20	7.74	1.76	10.07	2.21	11.84	2.56	13.19	2.81	13.64	2.84	14.54	2.90	15.56	2.91
	25	7.74	2.08	10.07	2.61	11.84	3.02	13.19	3.32	13.64	3.35	14.54	3.42	15.56	3.44
	32	7.74	2.52	10.07	3.17	11.84	3.67	13.19	4.02	13.64	4.06	14.54	4.15	15.56	4.17
	35	7.74	2.71	10.07	3.41	11.84	3.95	13.19	4.33	13.64	4.37	14.54	4.46	15.56	4.48
	40	7.74	2.75	10.07	3.45	11.84	4.00	12.53	4.39	12.96	4.43	13.81	4.52	14.78	4.55
	43	7.74	2.77	10.07	3.48	11.84	4.03	11.87	4.42	12.27	4.47	13.08	4.56	14.00	4.58
	46	7.74	2.79	10.07	3.51	10.99	4.06	11.21	4.46	11.59	4.50	12.36	4.59	13.23	4.62
	48	7.74	2.82	10.07	3.54	10.34	4.10	10.55	4.41	10.85	4.46	11.45	4.55	12.15	4.57
12 + 12 + 24	20	8.22	2.02	10.70	2.53	12.58	2.94	14.01	3.22	14.49	3.25	15.44	3.32	16.53	3.34

7. Capacity Tables

Combi.	Outdoor Air Temp. (°C, DB)	Indoor Air Temp. (°C, DB/WB)													
		20.0 / 14.0		23.0 / 16.0		26.0 / 18.0		27.0 / 19.0		28.0 / 20.0		30.0 / 22.0		32.0 / 24.0	
		TC	PI	TC	PI	TC	PI	TC	PI	TC	PI	TC	PI	TC	PI
12 + 12 + 2 4	25	8.22	2.38	10.70	2.99	12.58	3.46	14.01	3.80	14.49	3.84	15.44	3.92	16.53	3.94
	32	8.22	2.89	10.70	3.63	12.58	4.20	14.01	4.61	14.49	4.66	15.44	4.75	16.53	4.78
	35	8.22	3.11	10.70	3.90	12.58	4.52	14.01	4.96	14.49	5.01	15.44	5.11	16.53	5.14
	40	8.22	3.15	10.70	3.96	12.58	4.58	13.31	5.03	13.76	5.08	14.67	5.18	15.70	5.21
	43	8.22	3.18	10.70	3.99	12.58	4.62	12.61	5.07	13.04	5.12	13.90	5.22	14.88	5.25
	46	8.22	3.20	10.70	4.02	11.67	4.66	11.91	5.11	12.32	5.16	13.13	5.26	14.05	5.29
	48	8.22	3.23	10.70	4.05	10.98	4.69	11.21	5.06	11.53	5.11	12.17	5.21	12.90	5.24
12 + 18 + 1 8	20	8.22	1.98	10.70	2.48	12.58	2.88	14.01	3.16	14.49	3.19	15.44	3.25	16.53	3.27
	25	8.22	2.33	10.70	2.93	12.58	3.39	14.01	3.72	14.49	3.76	15.44	3.84	16.53	3.86
	32	8.22	2.83	10.70	3.55	12.58	4.12	14.01	4.52	14.49	4.56	15.44	4.65	16.53	4.68
	35	8.22	3.05	10.70	3.82	12.58	4.43	14.01	4.86	14.49	4.91	15.44	5.00	16.53	5.03
	40	8.22	3.09	10.70	3.88	12.58	4.49	13.31	4.92	13.76	4.97	14.67	5.07	15.70	5.10
	43	8.22	3.11	10.70	3.91	12.58	4.53	12.61	4.96	13.04	5.01	13.90	5.11	14.88	5.14
	46	8.22	3.14	10.70	3.94	11.67	4.56	11.91	5.00	12.32	5.05	13.13	5.15	14.05	5.18
7 + 18 + 24	20	8.22	1.97	10.70	2.48	12.58	2.87	14.01	3.15	14.49	3.18	15.44	3.25	16.53	3.26
	25	8.22	2.33	10.70	2.93	12.58	3.39	14.01	3.72	14.49	3.76	15.44	3.83	16.53	3.85
	32	8.22	2.83	10.70	3.55	12.58	4.11	14.01	4.51	14.49	4.56	15.44	4.65	16.53	4.67
	35	8.22	3.04	10.70	3.82	12.58	4.42	14.01	4.85	14.49	4.90	15.44	5.00	16.53	5.03
	40	8.22	3.08	10.70	3.87	12.58	4.48	13.31	4.92	13.76	4.97	14.67	5.07	15.70	5.09
	43	8.22	3.11	10.70	3.90	12.58	4.52	12.61	4.96	13.04	5.01	13.90	5.11	14.88	5.14
	46	8.22	3.13	10.70	3.93	11.67	4.56	11.91	5.00	12.32	5.05	13.13	5.15	14.05	5.18
9 + 18 + 24	20	8.22	1.97	10.70	2.47	12.58	2.86	14.01	3.14	14.49	3.17	15.44	3.24	16.53	3.25
	25	8.22	2.32	10.70	2.92	12.58	3.38	14.01	3.71	14.49	3.75	15.44	3.82	16.53	3.84
	32	8.22	2.82	10.70	3.54	12.58	4.10	14.01	4.50	14.49	4.54	15.44	4.63	16.53	4.66
	35	8.22	3.03	10.70	3.81	12.58	4.41	14.01	4.84	14.49	4.89	15.44	4.98	16.53	5.01
	40	8.22	3.07	10.70	3.86	12.58	4.47	13.31	4.90	13.76	4.95	14.67	5.05	15.70	5.08
	43	8.22	3.10	10.70	3.89	12.58	4.51	12.61	4.94	13.04	4.99	13.90	5.09	14.88	5.12
	46	8.22	3.12	10.70	3.92	11.67	4.54	11.91	4.98	12.32	5.03	13.13	5.13	14.05	5.16
12 + 18 + 2 4	20	8.22	1.96	10.70	2.46	12.58	2.85	14.01	3.13	14.49	3.16	15.44	3.22	16.53	3.24
	25	8.22	2.31	10.70	2.90	12.58	3.36	14.01	3.69	14.49	3.73	15.44	3.80	16.53	3.82
	32	8.22	2.81	10.70	3.52	12.58	4.08	14.01	4.48	14.49	4.52	15.44	4.61	16.53	4.64
	35	8.22	3.02	10.70	3.79	12.58	4.39	14.01	4.81	14.49	4.86	15.44	4.96	16.53	4.99
	40	8.22	3.06	10.70	3.84	12.58	4.45	13.31	4.88	13.76	4.93	14.67	5.03	15.70	5.06
	43	8.22	3.08	10.70	3.87	12.58	4.49	12.61	4.92	13.04	4.97	13.90	5.07	14.88	5.10
	46	8.22	3.11	10.70	3.90	11.67	4.52	11.91	4.96	12.32	5.01	13.13	5.11	14.05	5.14
18 + 18 + 1 8	20	8.22	1.92	10.70	2.41	12.58	2.79	14.01	3.06	14.49	3.09	15.44	3.15	16.53	3.17
	25	8.22	2.26	10.70	2.84	12.58	3.29	14.01	3.61	14.49	3.65	15.44	3.72	16.53	3.74
	32	8.22	2.75	10.70	3.45	12.58	4.00	14.01	4.38	14.49	4.43	15.44	4.52	16.53	4.54
	35	8.22	2.96	10.70	3.71	12.58	4.30	14.01	4.71	14.49	4.76	15.44	4.86	16.53	4.88
	40	8.22	3.00	10.70	3.76	12.58	4.36	13.31	4.78	13.76	4.83	14.67	4.92	15.70	4.95
	43	8.22	3.02	10.70	3.79	12.58	4.39	12.61	4.82	13.04	4.87	13.90	4.96	14.88	4.99
	46	8.22	3.04	10.70	3.82	11.67	4.43	11.91	4.86	12.32	4.91	13.13	5.00	14.05	5.03
7 + 24 + 24	20	8.22	1.96	10.70	2.46	12.58	2.85	14.01	3.12	14.49	3.15	15.44	3.22	16.53	3.24
	25	8.22	2.31	10.70	2.90	12.58	3.36	14.01	3.68	14.49	3.72	15.44	3.80	16.53	3.82
	32	8.22	2.80	10.70	3.52	12.58	4.08	14.01	4.47	14.49	4.52	15.44	4.61	16.53	4.63
	35	8.22	3.01	10.70	3.78	12.58	4.38	14.01	4.81	14.49	4.86	15.44	4.95	16.53	4.98

7. Capacity Tables

Combi.	Outdoor Air Temp. (°C, DB)	Indoor Air Temp. (°C, DB/WB)													
		20.0 / 14.0		23.0 / 16.0		26.0 / 18.0		27.0 / 19.0		28.0 / 20.0		30.0 / 22.0		32.0 / 24.0	
		TC	PI	TC	PI	TC	PI	TC	PI	TC	PI	TC	PI	TC	PI
7 + 24 + 24	40	8.22	3.05	10.70	3.83	12.58	4.44	13.31	4.87	13.76	4.92	14.67	5.02	15.70	5.05
	43	8.22	3.08	10.70	3.87	12.58	4.48	12.61	4.91	13.04	4.96	13.90	5.06	14.88	5.09
	46	8.22	3.10	10.70	3.90	11.67	4.51	11.91	4.95	12.32	5.00	13.13	5.10	14.05	5.13
	48	8.22	3.13	10.70	3.93	10.98	4.55	11.21	4.90	11.53	4.95	12.17	5.05	12.90	5.08
9 + 24 + 24	20	8.22	1.95	10.70	2.45	12.58	2.84	14.01	3.11	14.49	3.14	15.44	3.21	16.53	3.23
	25	8.22	2.30	10.70	2.89	12.58	3.35	14.01	3.67	14.49	3.71	15.44	3.78	16.53	3.81
	32	8.22	2.79	10.70	3.51	12.58	4.06	14.01	4.46	14.49	4.50	15.44	4.59	16.53	4.62
	35	8.22	3.00	10.70	3.77	12.58	4.37	14.01	4.79	14.49	4.84	15.44	4.94	16.53	4.97
	40	8.22	3.05	10.70	3.82	12.58	4.43	13.31	4.86	13.76	4.91	14.67	5.00	15.70	5.03
	43	8.22	3.07	10.70	3.85	12.58	4.47	12.61	4.90	13.04	4.95	13.90	5.05	14.88	5.07
	46	8.22	3.09	10.70	3.88	11.67	4.50	11.91	4.94	12.32	4.99	13.13	5.09	14.05	5.11
	48	8.22	3.12	10.70	3.92	10.98	4.54	11.21	4.89	11.53	4.94	12.17	5.04	12.90	5.07
12 + 24 + 24	20	8.22	1.94	10.70	2.44	12.58	2.83	14.01	3.10	14.49	3.13	15.44	3.19	16.53	3.21
	25	8.22	2.29	10.70	2.88	12.58	3.33	14.01	3.66	14.49	3.70	15.44	3.77	16.53	3.79
	32	8.22	2.78	10.70	3.49	12.58	4.05	14.01	4.44	14.49	4.48	15.44	4.57	16.53	4.60
	35	8.22	2.99	10.70	3.75	12.58	4.35	14.01	4.77	14.49	4.82	15.44	4.92	16.53	4.94
	40	8.22	3.03	10.70	3.81	12.58	4.41	13.31	4.84	13.76	4.89	14.67	4.98	15.70	5.01
	43	8.22	3.06	10.70	3.84	12.58	4.44	12.61	4.88	13.04	4.93	13.90	5.02	14.88	5.05
	46	8.22	3.08	10.70	3.87	11.67	4.48	11.91	4.91	12.32	4.96	13.13	5.06	14.05	5.09
	48	8.22	3.11	10.70	3.90	10.98	4.52	11.21	4.87	11.53	4.92	12.17	5.01	12.90	5.04
18 + 18 + 24	20	8.22	1.90	10.70	2.39	12.58	2.77	14.01	3.03	14.49	3.06	15.44	3.13	16.53	3.14
	25	8.22	2.24	10.70	2.82	12.58	3.26	14.01	3.58	14.49	3.62	15.44	3.69	16.53	3.71
	32	8.22	2.72	10.70	3.42	12.58	3.96	14.01	4.34	14.49	4.39	15.44	4.48	16.53	4.50
	35	8.22	2.93	10.70	3.68	12.58	4.26	14.01	4.67	14.49	4.72	15.44	4.81	16.53	4.84
	40	8.22	2.97	10.70	3.73	12.58	4.32	13.31	4.74	13.76	4.79	14.67	4.88	15.70	4.91
	43	8.22	2.99	10.70	3.76	12.58	4.35	12.61	4.77	13.04	4.82	13.90	4.92	14.88	4.95
	46	8.22	3.02	10.70	3.79	11.67	4.39	11.91	4.81	12.32	4.86	13.13	4.96	14.05	4.99
	48	8.22	3.04	10.70	3.82	10.98	4.42	11.21	4.77	11.53	4.82	12.17	4.91	12.90	4.94
18 + 24 + 24	20	8.22	1.89	10.70	2.37	12.58	2.74	14.01	3.01	14.49	3.04	15.44	3.10	16.53	3.12
	25	8.22	2.22	10.70	2.79	12.58	3.23	14.01	3.55	14.49	3.59	15.44	3.66	16.53	3.68
	32	8.22	2.70	10.70	3.39	12.58	3.93	14.01	4.31	14.49	4.35	15.44	4.44	16.53	4.46
	35	8.22	2.90	10.70	3.64	12.58	4.22	14.01	4.63	14.49	4.68	15.44	4.77	16.53	4.80
	40	8.22	2.94	10.70	3.69	12.58	4.28	13.31	4.69	13.76	4.74	14.67	4.83	15.70	4.86
	43	8.22	2.97	10.70	3.72	12.58	4.31	12.61	4.73	13.04	4.78	13.90	4.87	14.88	4.90
	46	8.22	2.99	10.70	3.75	11.67	4.35	11.91	4.77	12.32	4.82	13.13	4.91	14.05	4.94
	48	8.22	3.01	10.70	3.78	10.98	4.38	11.21	4.72	11.53	4.77	12.17	4.87	12.90	4.89
24 + 24 + 24	20	8.22	1.87	10.70	2.35	12.58	2.72	14.01	2.98	14.49	3.01	15.44	3.07	16.53	3.09
	25	8.22	2.20	10.70	2.77	12.58	3.21	14.01	3.52	14.49	3.55	15.44	3.62	16.53	3.64
	32	8.22	2.67	10.70	3.36	12.58	3.89	14.01	4.27	14.49	4.31	15.44	4.40	16.53	4.42
	35	8.22	2.88	10.70	3.61	12.58	4.18	14.01	4.59	14.49	4.64	15.44	4.73	16.53	4.75
	40	8.22	2.92	10.70	3.66	12.58	4.24	13.31	4.65	13.76	4.70	14.67	4.79	15.70	4.82
	43	8.22	2.94	10.70	3.69	12.58	4.27	12.61	4.69	13.04	4.74	13.90	4.83	14.88	4.86
	46	8.22	2.96	10.70	3.72	11.67	4.31	11.91	4.73	12.32	4.78	13.13	4.87	14.05	4.90
	48	8.22	2.99	10.70	3.75	10.98	4.34	11.21	4.68	11.53	4.73	12.17	4.82	12.90	4.85
7 + 7 + 7 + 7	20	4.82	0.77	6.27	0.97	7.37	1.13	8.21	1.23	8.49	1.24	9.04	1.27	9.68	1.28
	25	4.82	0.91	6.27	1.15	7.37	1.33	8.21	1.46	8.49	1.47	9.04	1.50	9.68	1.51
	32	4.82	1.11	6.27	1.39	7.37	1.61	8.21	1.77	8.49	1.79	9.04	1.82	9.68	1.83
	35	4.82	1.19	6.27	1.50	7.37	1.73	8.21	1.90	8.49	1.92	9.04	1.96	9.68	1.97
	40	4.82	1.21	6.27	1.52	7.37	1.76	7.80	1.93	8.06	1.95	8.59	1.99	9.20	2.00
	43	4.82	1.22	6.27	1.53	7.37	1.77	7.39	1.94	7.64	1.96	8.14	2.00	8.71	2.01
	46	4.82	1.23	6.27	1.54	6.84	1.79	6.98	1.96	7.22	1.98	7.69	2.02	8.23	2.03

7. Capacity Tables

Combi.	Outdoor Air Temp. (°C, DB)	Indoor Air Temp. (°C, DB/WB)													
		20.0 / 14.0		23.0 / 16.0		26.0 / 18.0		27.0 / 19.0		28.0 / 20.0		30.0 / 22.0		32.0 / 24.0	
		TC	PI	TC	PI	TC	PI	TC	PI	TC	PI	TC	PI	TC	PI
7 + 7 + 7 + 7	48	4.82	1.24	6.27	1.55	6.43	1.80	6.57	1.94	6.76	1.96	7.13	2.00	7.56	2.01
7 + 7 + 7 + 9	20	5.16	0.86	6.71	1.08	7.89	1.25	8.79	1.37	9.09	1.38	9.69	1.41	10.37	1.42
	25	5.16	1.01	6.71	1.27	7.89	1.47	8.79	1.61	9.09	1.63	9.69	1.66	10.37	1.67
	32	5.16	1.23	6.71	1.54	7.89	1.78	8.79	1.96	9.09	1.98	9.69	2.02	10.37	2.03
	35	5.16	1.32	6.71	1.66	7.89	1.92	8.79	2.11	9.09	2.13	9.69	2.17	10.37	2.18
	40	5.16	1.34	6.71	1.68	7.89	1.95	8.35	2.13	8.64	2.15	9.21	2.20	9.85	2.21
	43	5.16	1.35	6.71	1.69	7.89	1.96	7.91	2.15	8.18	2.17	8.72	2.22	9.34	2.23
	46	5.16	1.36	6.71	1.71	7.33	1.98	7.47	2.17	7.73	2.19	8.24	2.23	8.82	2.25
	48	5.16	1.37	6.71	1.72	6.89	1.99	7.03	2.15	7.23	2.17	7.63	2.21	8.10	2.22
7 + 7 + 9 + 9	20	5.51	0.94	7.16	1.19	8.42	1.37	9.38	1.51	9.70	1.52	10.34	1.55	11.06	1.56
	25	5.51	1.11	7.16	1.40	8.42	1.62	9.38	1.78	9.70	1.80	10.34	1.83	11.06	1.84
	32	5.51	1.35	7.16	1.70	8.42	1.97	9.38	2.16	9.70	2.18	10.34	2.22	11.06	2.24
	35	5.51	1.45	7.16	1.83	8.42	2.12	9.38	2.32	9.70	2.34	10.34	2.39	11.06	2.40
	40	5.51	1.47	7.16	1.85	8.42	2.14	8.91	2.35	9.21	2.37	9.82	2.42	10.51	2.44
	43	5.51	1.49	7.16	1.87	8.42	2.16	8.44	2.37	8.73	2.39	9.30	2.44	9.96	2.46
	46	5.51	1.50	7.16	1.88	7.81	2.18	7.97	2.39	8.24	2.41	8.79	2.46	9.41	2.48
	48	5.51	1.51	7.16	1.90	7.35	2.20	7.50	2.37	7.71	2.39	8.14	2.44	8.64	2.45
7 + 7 + 7 + 12	20	5.68	0.99	7.39	1.24	8.68	1.44	9.67	1.58	10.00	1.60	10.66	1.63	11.41	1.64
	25	5.68	1.17	7.39	1.47	8.68	1.70	9.67	1.86	10.00	1.88	10.66	1.92	11.41	1.93
	32	5.68	1.42	7.39	1.78	8.68	2.06	9.67	2.26	10.00	2.28	10.66	2.33	11.41	2.34
	35	5.68	1.53	7.39	1.91	8.68	2.22	9.67	2.43	10.00	2.46	10.66	2.51	11.41	2.52
	40	5.68	1.55	7.39	1.94	8.68	2.25	9.19	2.47	9.50	2.49	10.13	2.54	10.84	2.56
	43	5.68	1.56	7.39	1.96	8.68	2.27	8.71	2.49	9.00	2.51	9.59	2.56	10.27	2.58
	46	5.68	1.57	7.39	1.97	8.06	2.29	8.22	2.51	8.50	2.53	9.06	2.58	9.70	2.60
	48	5.68	1.58	7.39	1.99	7.58	2.30	7.74	2.48	7.96	2.51	8.40	2.56	8.91	2.57
7 + 9 + 9 + 9	20	5.85	1.04	7.61	1.30	8.95	1.51	9.96	1.66	10.30	1.68	10.98	1.71	11.76	1.72
	25	5.85	1.22	7.61	1.54	8.95	1.78	9.96	1.95	10.30	1.97	10.98	2.01	11.76	2.02
	32	5.85	1.49	7.61	1.87	8.95	2.16	9.96	2.37	10.30	2.39	10.98	2.44	11.76	2.46
	35	5.85	1.60	7.61	2.01	8.95	2.32	9.96	2.55	10.30	2.58	10.98	2.63	11.76	2.64
	40	5.85	1.62	7.61	2.03	8.95	2.36	9.47	2.58	9.79	2.61	10.43	2.66	11.17	2.68
	43	5.85	1.63	7.61	2.05	8.95	2.37	8.97	2.60	9.27	2.63	9.88	2.68	10.58	2.70
	46	5.85	1.65	7.61	2.07	8.30	2.39	8.47	2.63	8.76	2.65	9.34	2.70	9.99	2.72
	48	5.85	1.66	7.61	2.08	7.81	2.41	7.97	2.60	8.20	2.63	8.65	2.68	9.18	2.69
7 + 7 + 9 + 12	20	6.02	1.09	7.83	1.36	9.21	1.58	10.26	1.73	10.61	1.75	11.31	1.79	12.10	1.80
	25	6.02	1.28	7.83	1.61	9.21	1.86	10.26	2.04	10.61	2.06	11.31	2.11	12.10	2.12
	32	6.02	1.56	7.83	1.95	9.21	2.26	10.26	2.48	10.61	2.51	11.31	2.56	12.10	2.57
	35	6.02	1.67	7.83	2.10	9.21	2.43	10.26	2.67	10.61	2.70	11.31	2.75	12.10	2.76
	40	6.02	1.70	7.83	2.13	9.21	2.47	9.75	2.70	10.08	2.73	10.74	2.79	11.50	2.80
	43	6.02	1.71	7.83	2.15	9.21	2.49	9.23	2.73	9.55	2.76	10.18	2.81	10.89	2.82
	46	6.02	1.72	7.83	2.16	8.55	2.51	8.72	2.75	9.02	2.78	9.61	2.83	10.29	2.85
	48	6.02	1.74	7.83	2.18	8.04	2.53	8.21	2.72	8.44	2.75	8.91	2.80	9.45	2.82
9 + 9 + 9 + 9	20	6.19	1.14	8.06	1.43	9.47	1.65	10.55	1.81	10.91	1.83	11.63	1.87	12.45	1.88
	25	6.19	1.34	8.06	1.68	9.47	1.95	10.55	2.14	10.91	2.16	11.63	2.20	12.45	2.22
	32	6.19	1.63	8.06	2.04	9.47	2.37	10.55	2.59	10.91	2.62	11.63	2.67	12.45	2.69
	35	6.19	1.75	8.06	2.20	9.47	2.54	10.55	2.79	10.91	2.82	11.63	2.87	12.45	2.89
	40	6.19	1.77	8.06	2.23	9.47	2.58	10.02	2.83	10.36	2.86	11.05	2.91	11.83	2.93
	43	6.19	1.79	8.06	2.24	9.47	2.60	9.50	2.85	9.82	2.88	10.47	2.94	11.20	2.95
	46	6.19	1.80	8.06	2.26	8.79	2.62	8.97	2.87	9.28	2.90	9.89	2.96	10.58	2.98
	48	6.19	1.82	8.06	2.28	8.27	2.64	8.44	2.85	8.68	2.88	9.16	2.93	9.72	2.95
7 + 9 + 9 + 12	20	6.37	1.19	8.28	1.49	9.74	1.73	10.84	1.89	11.21	1.91	11.95	1.95	12.79	1.96
	25	6.37	1.40	8.28	1.76	9.74	2.04	10.84	2.23	11.21	2.25	11.95	2.30	12.79	2.32

7. Capacity Tables

Combi.	Outdoor Air Temp. (°C, DB)	Indoor Air Temp. (°C, DB/WB)													
		20.0 / 14.0		23.0 / 16.0		26.0 / 18.0		27.0 / 19.0		28.0 / 20.0		30.0 / 22.0		32.0 / 24.0	
		TC	PI	TC	PI	TC	PI	TC	PI	TC	PI	TC	PI	TC	PI
7 + 9 + 9 + 12	32	6.37	1.70	8.28	2.13	9.74	2.47	10.84	2.71	11.21	2.74	11.95	2.79	12.79	2.81
	35	6.37	1.83	8.28	2.29	9.74	2.66	10.84	2.92	11.21	2.95	11.95	3.00	12.79	3.02
	40	6.37	1.85	8.28	2.33	9.74	2.69	10.30	2.96	10.65	2.99	11.35	3.04	12.15	3.06
	43	6.37	1.87	8.28	2.34	9.74	2.72	9.76	2.98	10.09	3.01	10.76	3.07	11.51	3.09
	46	6.37	1.88	8.28	2.36	9.03	2.74	9.22	3.00	9.53	3.03	10.16	3.09	10.88	3.11
	48	6.37	1.90	8.28	2.38	8.50	2.76	8.68	2.97	8.93	3.00	9.42	3.06	9.99	3.08
7 + 7 + 12 + 12	20	6.54	1.24	8.50	1.56	10.00	1.80	11.14	1.98	11.52	2.00	12.27	2.04	13.14	2.05
	25	6.54	1.46	8.50	1.84	10.00	2.13	11.14	2.33	11.52	2.35	12.27	2.40	13.14	2.42
	32	6.54	1.77	8.50	2.23	10.00	2.58	11.14	2.83	11.52	2.86	12.27	2.92	13.14	2.93
	35	6.54	1.91	8.50	2.40	10.00	2.78	11.14	3.04	11.52	3.07	12.27	3.14	13.14	3.15
	40	6.54	1.93	8.50	2.43	10.00	2.81	10.58	3.09	10.94	3.12	11.66	3.18	12.48	3.20
	43	6.54	1.95	8.50	2.45	10.00	2.84	10.02	3.11	10.36	3.14	11.05	3.21	11.83	3.22
	46	6.54	1.97	8.50	2.47	9.28	2.86	9.47	3.14	9.79	3.17	10.43	3.23	11.17	3.25
7 + 7 + 7 + 18	20	6.71	1.27	8.73	1.60	10.26	1.85	11.43	2.03	11.82	2.05	12.60	2.09	13.48	2.11
	25	6.71	1.50	8.73	1.89	10.26	2.19	11.43	2.40	11.82	2.42	12.60	2.47	13.48	2.49
	32	6.71	1.82	8.73	2.29	10.26	2.65	11.43	2.91	11.82	2.94	12.60	3.00	13.48	3.02
	35	6.71	1.96	8.73	2.46	10.26	2.85	11.43	3.13	11.82	3.16	12.60	3.22	13.48	3.24
	40	6.71	1.99	8.73	2.50	10.26	2.89	10.86	3.17	11.23	3.20	11.97	3.27	12.81	3.29
	43	6.71	2.00	8.73	2.52	10.26	2.92	10.29	3.20	10.64	3.23	11.34	3.29	12.14	3.31
	46	6.71	2.02	8.73	2.54	9.52	2.94	9.72	3.22	10.05	3.25	10.71	3.32	11.46	3.34
9 + 9 + 9 + 12	20	6.71	1.29	8.73	1.62	10.26	1.88	11.43	2.06	11.82	2.08	12.60	2.13	13.48	2.14
	25	6.71	1.53	8.73	1.92	10.26	2.22	11.43	2.44	11.82	2.46	12.60	2.51	13.48	2.52
	32	6.71	1.85	8.73	2.33	10.26	2.69	11.43	2.95	11.82	2.98	12.60	3.04	13.48	3.06
	35	6.71	1.99	8.73	2.50	10.26	2.90	11.43	3.18	11.82	3.21	12.60	3.27	13.48	3.29
	40	6.71	2.02	8.73	2.53	10.26	2.94	10.86	3.22	11.23	3.25	11.97	3.32	12.81	3.34
	43	6.71	2.04	8.73	2.55	10.26	2.96	10.29	3.25	10.64	3.28	11.34	3.34	12.14	3.36
	46	6.71	2.05	8.73	2.58	9.52	2.98	9.72	3.27	10.05	3.30	10.71	3.37	11.46	3.39
7 + 9 + 12 + 12	20	6.88	1.35	8.95	1.69	10.53	1.96	11.72	2.15	12.12	2.17	12.92	2.22	13.83	2.23
	25	6.88	1.59	8.95	2.00	10.53	2.32	11.72	2.54	12.12	2.57	12.92	2.62	13.83	2.63
	32	6.88	1.93	8.95	2.42	10.53	2.81	11.72	3.08	12.12	3.11	12.92	3.17	13.83	3.19
	35	6.88	2.08	8.95	2.61	10.53	3.02	11.72	3.31	12.12	3.34	12.92	3.41	13.83	3.43
	40	6.88	2.11	8.95	2.64	10.53	3.06	11.14	3.36	11.52	3.39	12.27	3.46	13.14	3.48
	43	6.88	2.12	8.95	2.66	10.53	3.09	10.55	3.39	10.91	3.42	11.63	3.49	12.45	3.51
	46	6.88	2.14	8.95	2.69	9.77	3.11	9.97	3.41	10.31	3.45	10.98	3.52	11.76	3.54
	48	6.88	2.16	8.95	2.71	9.19	3.14	9.38	3.38	9.65	3.41	10.18	3.48	10.80	3.50
7 + 7 + 9 + 18	20	7.05	1.39	9.18	1.74	10.79	2.01	12.02	2.21	12.43	2.23	13.24	2.28	14.18	2.29
	25	7.05	1.63	9.18	2.05	10.79	2.38	12.02	2.61	12.43	2.64	13.24	2.69	14.18	2.70
	32	7.05	1.98	9.18	2.49	10.79	2.88	12.02	3.16	12.43	3.19	13.24	3.26	14.18	3.28
	35	7.05	2.13	9.18	2.68	10.79	3.10	12.02	3.40	12.43	3.43	13.24	3.50	14.18	3.52
	40	7.05	2.16	9.18	2.71	10.79	3.14	11.42	3.45	11.81	3.48	12.58	3.55	13.47	3.57
	43	7.05	2.18	9.18	2.74	10.79	3.17	10.82	3.48	11.19	3.51	11.92	3.58	12.76	3.60
	46	7.05	2.20	9.18	2.76	10.01	3.19	10.22	3.50	10.57	3.54	11.26	3.61	12.05	3.63
	48	7.05	2.21	9.18	2.78	9.42	3.22	9.61	3.47	9.88	3.50	10.43	3.57	11.07	3.60
9 + 9 + 12 + 12	20	7.23	1.46	9.40	1.84	11.05	2.13	12.31	2.34	12.73	2.36	13.57	2.41	14.52	2.42
	25	7.23	1.73	9.40	2.17	11.05	2.51	12.31	2.76	12.73	2.79	13.57	2.84	14.52	2.86
	32	7.23	2.10	9.40	2.63	11.05	3.05	12.31	3.35	12.73	3.38	13.57	3.45	14.52	3.47
	35	7.23	2.26	9.40	2.83	11.05	3.28	12.31	3.60	12.73	3.64	13.57	3.71	14.52	3.73
	40	7.23	2.29	9.40	2.87	11.05	3.32	11.69	3.65	12.09	3.69	12.89	3.76	13.80	3.78

7. Capacity Tables

Combi.	Outdoor Air Temp. (°C, DB)	Indoor Air Temp. (°C, DB/WB)													
		20.0 / 14.0		23.0 / 16.0		26.0 / 18.0		27.0 / 19.0		28.0 / 20.0		30.0 / 22.0		32.0 / 24.0	
		TC	PI	TC	PI	TC	PI	TC	PI	TC	PI	TC	PI	TC	PI
9 + 9 + 12 + 12	43	7.23	2.30	9.40	2.89	11.05	3.35	11.08	3.68	11.46	3.72	12.21	3.79	13.07	3.81
	46	7.23	2.32	9.40	2.92	10.26	3.38	10.46	3.71	10.82	3.75	11.53	3.82	12.35	3.84
	48	7.23	2.34	9.40	2.94	9.65	3.41	9.85	3.67	10.13	3.71	10.69	3.78	11.34	3.80
7 + 9 + 9 + 18	20	7.40	1.50	9.62	1.89	11.32	2.19	12.60	2.40	13.03	2.42	13.89	2.47	14.87	2.48
	25	7.40	1.77	9.62	2.23	11.32	2.58	12.60	2.83	13.03	2.86	13.89	2.91	14.87	2.93
	32	7.40	2.15	9.62	2.70	11.32	3.13	12.60	3.43	13.03	3.47	13.89	3.54	14.87	3.56
	35	7.40	2.31	9.62	2.91	11.32	3.37	12.60	3.69	13.03	3.73	13.89	3.80	14.87	3.83
	40	7.40	2.35	9.62	2.94	11.32	3.41	11.97	3.74	12.38	3.78	13.20	3.86	14.12	3.88
	43	7.40	2.36	9.62	2.97	11.32	3.44	11.34	3.77	11.73	3.81	12.50	3.89	13.38	3.91
	46	7.40	2.38	9.62	2.99	10.50	3.47	10.71	3.80	11.08	3.84	11.81	3.92	12.64	3.94
7 + 12 + 12 + 12	20	7.40	1.53	9.62	1.92	11.32	2.22	12.60	2.43	13.03	2.46	13.89	2.51	14.87	2.52
	25	7.40	1.80	9.62	2.26	11.32	2.62	12.60	2.87	13.03	2.90	13.89	2.96	14.87	2.98
	32	7.40	2.18	9.62	2.74	11.32	3.18	12.60	3.49	13.03	3.52	13.89	3.59	14.87	3.61
	35	7.40	2.35	9.62	2.95	11.32	3.42	12.60	3.75	13.03	3.79	13.89	3.86	14.87	3.88
	40	7.40	2.38	9.62	2.99	11.32	3.46	11.97	3.80	12.38	3.84	13.20	3.91	14.12	3.94
	43	7.40	2.40	9.62	3.01	11.32	3.49	11.34	3.83	11.73	3.87	12.50	3.95	13.38	3.97
	46	7.40	2.42	9.62	3.04	10.50	3.52	10.71	3.86	11.08	3.90	11.81	3.98	12.64	4.00
7 + 7 + 12 + 18	20	7.57	1.58	9.85	1.98	11.58	2.29	12.90	2.51	13.34	2.54	14.21	2.59	15.21	2.60
	25	7.57	1.86	9.85	2.33	11.58	2.70	12.90	2.97	13.34	3.00	14.21	3.06	15.21	3.07
	32	7.57	2.26	9.85	2.83	11.58	3.28	12.90	3.60	13.34	3.64	14.21	3.71	15.21	3.73
	35	7.57	2.43	9.85	3.05	11.58	3.53	12.90	3.87	13.34	3.91	14.21	3.99	15.21	4.01
	40	7.57	2.46	9.85	3.09	11.58	3.58	12.25	3.92	12.67	3.96	13.50	4.04	14.45	4.06
	43	7.57	2.48	9.85	3.11	11.58	3.61	11.61	3.95	12.00	3.99	12.79	4.07	13.69	4.10
	46	7.57	2.50	9.85	3.14	10.74	3.63	10.96	3.99	11.33	4.03	12.08	4.11	12.93	4.13
7 + 7 + 7 + 24	20	7.74	1.65	10.07	2.07	11.84	2.40	13.19	2.63	13.64	2.66	14.54	2.71	15.56	2.73
	25	7.74	1.95	10.07	2.45	11.84	2.83	13.19	3.11	13.64	3.14	14.54	3.20	15.56	3.22
	32	7.74	2.36	10.07	2.97	11.84	3.44	13.19	3.77	13.64	3.81	14.54	3.88	15.56	3.91
	35	7.74	2.54	10.07	3.19	11.84	3.70	13.19	4.06	13.64	4.10	14.54	4.18	15.56	4.20
	40	7.74	2.58	10.07	3.23	11.84	3.75	12.53	4.11	12.96	4.15	13.81	4.23	14.78	4.26
	43	7.74	2.60	10.07	3.26	11.84	3.78	11.87	4.14	12.27	4.18	13.08	4.27	14.00	4.29
	46	7.74	2.62	10.07	3.29	10.99	3.81	11.21	4.18	11.59	4.22	12.36	4.30	13.23	4.33
9 + 9 + 9 + 18	20	7.74	1.68	10.07	2.10	11.84	2.44	13.19	2.67	13.64	2.70	14.54	2.75	15.56	2.77
	25	7.74	1.98	10.07	2.48	11.84	2.88	13.19	3.16	13.64	3.19	14.54	3.25	15.56	3.27
	32	7.74	2.40	10.07	3.01	11.84	3.49	13.19	3.83	13.64	3.87	14.54	3.94	15.56	3.97
	35	7.74	2.58	10.07	3.24	11.84	3.75	13.19	4.12	13.64	4.16	14.54	4.24	15.56	4.27
	40	7.74	2.62	10.07	3.28	11.84	3.80	12.53	4.17	12.96	4.21	13.81	4.30	14.78	4.32
	43	7.74	2.64	10.07	3.31	11.84	3.84	11.87	4.21	12.27	4.25	13.08	4.33	14.00	4.36
	46	7.74	2.66	10.07	3.34	10.99	3.87	11.21	4.24	11.59	4.28	12.36	4.37	13.23	4.39
9 + 12 + 12 + 12	20	7.74	1.68	10.07	2.10	11.84	2.44	13.19	2.67	13.64	2.70	14.54	2.75	15.56	2.77
	25	7.74	1.98	10.07	2.48	11.84	2.88	13.19	3.16	13.64	3.19	14.54	3.25	15.56	3.27
	32	7.74	2.40	10.07	3.01	11.84	3.49	13.19	3.83	13.64	3.87	14.54	3.94	15.56	3.97
	35	7.74	2.58	10.07	3.24	11.84	3.75	13.19	4.12	13.64	4.16	14.54	4.24	15.56	4.27
	40	7.74	2.62	10.07	3.28	11.84	3.80	12.53	4.17	12.96	4.21	13.81	4.30	14.78	4.32
	43	7.74	2.64	10.07	3.31	11.84	3.84	11.87	4.21	12.27	4.25	13.08	4.33	14.00	4.36
	46	7.74	2.66	10.07	3.34	10.99	3.87	11.21	4.24	11.59	4.28	12.36	4.37	13.23	4.39
48	7.74	2.68	10.07	3.36	10.34	3.90	10.55	4.20	10.85	4.24	11.45	4.33	12.15	4.35	

7. Capacity Tables

Combi.	Outdoor Air Temp. (°C, DB)	Indoor Air Temp. (°C, DB/WB)													
		20.0 / 14.0		23.0 / 16.0		26.0 / 18.0		27.0 / 19.0		28.0 / 20.0		30.0 / 22.0		32.0 / 24.0	
		TC	PI	TC	PI	TC	PI	TC	PI	TC	PI	TC	PI	TC	PI
7 + 9 + 12 + 18	20	7.91	1.73	10.29	2.17	12.11	2.51	13.48	2.76	13.94	2.79	14.86	2.84	15.91	2.86
	25	7.91	2.04	10.29	2.56	12.11	2.97	13.48	3.25	13.94	3.28	14.86	3.35	15.91	3.37
	32	7.91	2.48	10.29	3.11	12.11	3.60	13.48	3.95	13.94	3.99	14.86	4.07	15.91	4.09
	35	7.91	2.66	10.29	3.34	12.11	3.87	13.48	4.25	13.94	4.29	14.86	4.38	15.91	4.40
	40	7.91	2.70	10.29	3.39	12.11	3.93	12.81	4.31	13.25	4.35	14.12	4.44	15.11	4.46
	43	7.91	2.72	10.29	3.42	12.11	3.96	12.13	4.34	12.54	4.38	13.37	4.47	14.32	4.50
	46	7.91	2.74	10.29	3.44	11.23	3.99	11.46	4.37	11.85	4.42	12.63	4.51	13.52	4.53
	48	7.91	2.76	10.29	3.47	10.57	4.02	10.79	4.33	11.10	4.37	11.71	4.46	12.42	4.49
7 + 7 + 9 + 24	20	8.09	1.81	10.52	2.27	12.37	2.63	13.77	2.89	14.24	2.92	15.18	2.97	16.25	2.99
	25	8.09	2.14	10.52	2.68	12.37	3.11	13.77	3.41	14.24	3.44	15.18	3.51	16.25	3.53
	32	8.09	2.59	10.52	3.25	12.37	3.77	13.77	4.13	14.24	4.17	15.18	4.26	16.25	4.28
	35	8.09	2.79	10.52	3.50	12.37	4.05	13.77	4.45	14.24	4.49	15.18	4.58	16.25	4.61
	40	8.09	2.83	10.52	3.55	12.37	4.11	13.09	4.51	13.53	4.55	14.42	4.64	15.44	4.67
	43	8.09	2.85	10.52	3.58	12.37	4.14	12.40	4.54	12.82	4.59	13.66	4.68	14.63	4.71
	46	8.09	2.87	10.52	3.60	11.48	4.18	11.71	4.58	12.11	4.63	12.91	4.72	13.81	4.74
	48	8.09	2.89	10.52	3.63	10.80	4.21	11.02	4.54	11.33	4.58	11.96	4.67	12.69	4.70
9 + 9 + 12 + 18	20	8.22	1.88	10.70	2.36	12.58	2.73	14.01	3.00	14.49	3.03	15.44	3.09	16.53	3.10
	25	8.22	2.22	10.70	2.78	12.58	3.22	14.01	3.53	14.49	3.57	15.44	3.64	16.53	3.66
	32	8.22	2.69	10.70	3.37	12.58	3.91	14.01	4.29	14.49	4.33	15.44	4.42	16.53	4.44
	35	8.22	2.89	10.70	3.63	12.58	4.20	14.01	4.61	14.49	4.66	15.44	4.75	16.53	4.78
	40	8.22	2.93	10.70	3.68	12.58	4.26	13.31	4.67	13.76	4.72	14.67	4.82	15.70	4.84
	43	8.22	2.95	10.70	3.71	12.58	4.30	12.61	4.71	13.04	4.76	13.90	4.85	14.88	4.88
	46	8.22	2.98	10.70	3.74	11.67	4.33	11.91	4.75	12.32	4.80	13.13	4.89	14.05	4.92
	48	8.22	3.00	10.70	3.77	10.98	4.37	11.21	4.70	11.53	4.75	12.17	4.85	12.90	4.87
12 + 12 + 1 + 2 + 12	20	8.22	1.90	10.70	2.39	12.58	2.77	14.01	3.04	14.49	3.07	15.44	3.13	16.53	3.15
	25	8.22	2.25	10.70	2.82	12.58	3.27	14.01	3.58	14.49	3.62	15.44	3.69	16.53	3.71
	32	8.22	2.72	10.70	3.42	12.58	3.96	14.01	4.35	14.49	4.39	15.44	4.48	16.53	4.50
	35	8.22	2.93	10.70	3.68	12.58	4.26	14.01	4.67	14.49	4.72	15.44	4.81	16.53	4.84
	40	8.22	2.97	10.70	3.73	12.58	4.32	13.31	4.74	13.76	4.79	14.67	4.88	15.70	4.91
	43	8.22	2.99	10.70	3.76	12.58	4.35	12.61	4.78	13.04	4.83	13.90	4.92	14.88	4.95
	46	8.22	3.02	10.70	3.79	11.67	4.39	11.91	4.81	12.32	4.86	13.13	4.96	14.05	4.99
	48	8.22	3.04	10.70	3.82	10.98	4.42	11.21	4.77	11.53	4.82	12.17	4.91	12.90	4.94
7 + 9 + 9 + 24	20	8.22	1.87	10.70	2.35	12.58	2.73	14.01	2.99	14.49	3.02	15.44	3.08	16.53	3.10
	25	8.22	2.21	10.70	2.78	12.58	3.22	14.01	3.53	14.49	3.56	15.44	3.63	16.53	3.66
	32	8.22	2.68	10.70	3.37	12.58	3.90	14.01	4.28	14.49	4.32	15.44	4.41	16.53	4.44
	35	8.22	2.89	10.70	3.62	12.58	4.20	14.01	4.60	14.49	4.65	15.44	4.74	16.53	4.77
	40	8.22	2.93	10.70	3.67	12.58	4.26	13.31	4.67	13.76	4.72	14.67	4.81	15.70	4.84
	43	8.22	2.95	10.70	3.70	12.58	4.29	12.61	4.70	13.04	4.75	13.90	4.85	14.88	4.87
	46	8.22	2.97	10.70	3.73	11.67	4.32	11.91	4.74	12.32	4.79	13.13	4.89	14.05	4.91
	48	8.22	3.00	10.70	3.76	10.98	4.36	11.21	4.70	11.53	4.75	12.17	4.84	12.90	4.87
7 + 12 + 12 + 18	20	8.22	1.87	10.70	2.35	12.58	2.73	14.01	2.99	14.49	3.02	15.44	3.08	16.53	3.10
	25	8.22	2.21	10.70	2.78	12.58	3.22	14.01	3.53	14.49	3.56	15.44	3.63	16.53	3.66
	32	8.22	2.68	10.70	3.37	12.58	3.90	14.01	4.28	14.49	4.32	15.44	4.41	16.53	4.44
	35	8.22	2.89	10.70	3.62	12.58	4.20	14.01	4.60	14.49	4.65	15.44	4.74	16.53	4.77
	40	8.22	2.93	10.70	3.67	12.58	4.26	13.31	4.67	13.76	4.72	14.67	4.81	15.70	4.84
	43	8.22	2.95	10.70	3.70	12.58	4.29	12.61	4.70	13.04	4.75	13.90	4.85	14.88	4.87
	46	8.22	2.97	10.70	3.73	11.67	4.32	11.91	4.74	12.32	4.79	13.13	4.89	14.05	4.91
	48	8.22	3.00	10.70	3.76	10.98	4.36	11.21	4.70	11.53	4.75	12.17	4.84	12.90	4.87
7 + 7 + 12 + 24	20	8.22	1.87	10.70	2.35	12.58	2.72	14.01	2.99	14.49	3.02	15.44	3.08	16.53	3.09
	25	8.22	2.21	10.70	2.77	12.58	3.21	14.01	3.52	14.49	3.56	15.44	3.63	16.53	3.65
	32	8.22	2.68	10.70	3.36	12.58	3.90	14.01	4.28	14.49	4.32	15.44	4.40	16.53	4.43

7. Capacity Tables

Combi.	Outdoor Air Temp. (°C, DB)	Indoor Air Temp. (°C, DB/WB)													
		20.0 / 14.0		23.0 / 16.0		26.0 / 18.0		27.0 / 19.0		28.0 / 20.0		30.0 / 22.0		32.0 / 24.0	
		TC	PI	TC	PI	TC	PI	TC	PI	TC	PI	TC	PI	TC	PI
7 + 7 + 12 + 24	35	8.22	2.88	10.70	3.62	12.58	4.19	14.01	4.60	14.49	4.65	15.44	4.74	16.53	4.76
	40	8.22	2.92	10.70	3.67	12.58	4.25	13.31	4.66	13.76	4.71	14.67	4.80	15.70	4.83
	43	8.22	2.94	10.70	3.70	12.58	4.28	12.61	4.70	13.04	4.75	13.90	4.84	14.88	4.87
	46	8.22	2.97	10.70	3.73	11.67	4.32	11.91	4.74	12.32	4.79	13.13	4.88	14.05	4.91
	48	8.22	2.99	10.70	3.76	10.98	4.35	11.21	4.69	11.53	4.74	12.17	4.83	12.90	4.86
7 + 7 + 18 + 18	20	8.22	1.84	10.70	2.31	12.58	2.68	14.01	2.94	14.49	2.97	15.44	3.03	16.53	3.05
	25	8.22	2.17	10.70	2.73	12.58	3.16	14.01	3.47	14.49	3.50	15.44	3.57	16.53	3.59
	32	8.22	2.64	10.70	3.31	12.58	3.84	14.01	4.21	14.49	4.25	15.44	4.34	16.53	4.36
	35	8.22	2.84	10.70	3.56	12.58	4.13	14.01	4.53	14.49	4.57	15.44	4.66	16.53	4.69
	40	8.22	2.88	10.70	3.61	12.58	4.18	13.31	4.59	13.76	4.64	14.67	4.73	15.70	4.75
	43	8.22	2.90	10.70	3.64	12.58	4.22	12.61	4.63	13.04	4.68	13.90	4.77	14.88	4.79
	46	8.22	2.92	10.70	3.67	11.67	4.25	11.91	4.66	12.32	4.71	13.13	4.80	14.05	4.83
9 + 9 + 9 + 24	20	8.22	1.87	10.70	2.35	12.58	2.72	14.01	2.98	14.49	3.01	15.44	3.07	16.53	3.09
	25	8.22	2.21	10.70	2.77	12.58	3.21	14.01	3.52	14.49	3.55	15.44	3.62	16.53	3.64
	32	8.22	2.68	10.70	3.36	12.58	3.89	14.01	4.27	14.49	4.31	15.44	4.40	16.53	4.42
	35	8.22	2.88	10.70	3.61	12.58	4.19	14.01	4.59	14.49	4.64	15.44	4.73	16.53	4.76
	40	8.22	2.92	10.70	3.66	12.58	4.24	13.31	4.65	13.76	4.70	14.67	4.79	15.70	4.82
	43	8.22	2.94	10.70	3.69	12.58	4.28	12.61	4.69	13.04	4.74	13.90	4.83	14.88	4.86
	46	8.22	2.96	10.70	3.72	11.67	4.31	11.91	4.73	12.32	4.78	13.13	4.87	14.05	4.90
9 + 12 + 12 + 18	20	8.22	1.87	10.70	2.35	12.58	2.72	14.01	2.98	14.49	3.01	15.44	3.07	16.53	3.09
	25	8.22	2.21	10.70	2.77	12.58	3.21	14.01	3.52	14.49	3.55	15.44	3.62	16.53	3.64
	32	8.22	2.68	10.70	3.36	12.58	3.89	14.01	4.27	14.49	4.31	15.44	4.40	16.53	4.42
	35	8.22	2.88	10.70	3.61	12.58	4.19	14.01	4.59	14.49	4.64	15.44	4.73	16.53	4.76
	40	8.22	2.92	10.70	3.66	12.58	4.24	13.31	4.65	13.76	4.70	14.67	4.79	15.70	4.82
	43	8.22	2.94	10.70	3.69	12.58	4.28	12.61	4.69	13.04	4.74	13.90	4.83	14.88	4.86
	46	8.22	2.96	10.70	3.72	11.67	4.31	11.91	4.73	12.32	4.78	13.13	4.87	14.05	4.90
7 + 9 + 12 + 24	20	8.22	1.87	10.70	2.34	12.58	2.71	14.01	2.98	14.49	3.01	15.44	3.07	16.53	3.08
	25	8.22	2.20	10.70	2.76	12.58	3.20	14.01	3.51	14.49	3.55	15.44	3.62	16.53	3.64
	32	8.22	2.67	10.70	3.35	12.58	3.89	14.01	4.26	14.49	4.30	15.44	4.39	16.53	4.42
	35	8.22	2.87	10.70	3.61	12.58	4.18	14.01	4.58	14.49	4.63	15.44	4.72	16.53	4.75
	40	8.22	2.91	10.70	3.66	12.58	4.24	13.31	4.65	13.76	4.70	14.67	4.79	15.70	4.81
	43	8.22	2.94	10.70	3.69	12.58	4.27	12.61	4.68	13.04	4.73	13.90	4.83	14.88	4.85
	46	8.22	2.96	10.70	3.72	11.67	4.30	11.91	4.72	12.32	4.77	13.13	4.86	14.05	4.89
7 + 9 + 18 + 18	20	8.22	1.84	10.70	2.31	12.58	2.67	14.01	2.93	14.49	2.96	15.44	3.02	16.53	3.04
	25	8.22	2.17	10.70	2.72	12.58	3.15	14.01	3.46	14.49	3.49	15.44	3.56	16.53	3.58
	32	8.22	2.63	10.70	3.30	12.58	3.83	14.01	4.20	14.49	4.24	15.44	4.32	16.53	4.35
	35	8.22	2.83	10.70	3.55	12.58	4.12	14.01	4.51	14.49	4.56	15.44	4.65	16.53	4.68
	40	8.22	2.87	10.70	3.60	12.58	4.17	13.31	4.58	13.76	4.62	14.67	4.71	15.70	4.74
	43	8.22	2.89	10.70	3.63	12.58	4.21	12.61	4.61	13.04	4.66	13.90	4.75	14.88	4.78
	46	8.22	2.91	10.70	3.66	11.67	4.24	11.91	4.65	12.32	4.70	13.13	4.79	14.05	4.82
9 + 9 + 12 + 24	20	8.22	1.86	10.70	2.34	12.58	2.71	14.01	2.97	14.49	3.00	15.44	3.06	16.53	3.08
	25	8.22	2.20	10.70	2.76	12.58	3.19	14.01	3.50	14.49	3.54	15.44	3.61	16.53	3.63
	32	8.22	2.66	10.70	3.34	12.58	3.87	14.01	4.25	14.49	4.29	15.44	4.38	16.53	4.40
	35	8.22	2.86	10.70	3.60	12.58	4.17	14.01	4.57	14.49	4.62	15.44	4.71	16.53	4.73
	40	8.22	2.90	10.70	3.65	12.58	4.22	13.31	4.63	13.76	4.68	14.67	4.77	15.70	4.80
	43	8.22	2.93	10.70	3.67	12.58	4.26	12.61	4.67	13.04	4.72	13.90	4.81	14.88	4.84

7. Capacity Tables

Combi.	Outdoor Air Temp. (°C, DB)	Indoor Air Temp. (°C, DB/WB)													
		20.0 / 14.0		23.0 / 16.0		26.0 / 18.0		27.0 / 19.0		28.0 / 20.0		30.0 / 22.0		32.0 / 24.0	
		TC	PI	TC	PI	TC	PI	TC	PI	TC	PI	TC	PI	TC	PI
9 + 12 + 18 + 18	25	8.22	2.15	10.70	2.70	12.58	3.13	14.01	3.43	14.49	3.47	15.44	3.54	16.53	3.56
	32	8.22	2.61	10.70	3.28	12.58	3.80	14.01	4.17	14.49	4.21	15.44	4.29	16.53	4.32
	35	8.22	2.81	10.70	3.53	12.58	4.08	14.01	4.48	14.49	4.53	15.44	4.62	16.53	4.64
	40	8.22	2.85	10.70	3.57	12.58	4.14	13.31	4.54	13.76	4.59	14.67	4.68	15.70	4.71
	43	8.22	2.87	10.70	3.60	12.58	4.17	12.61	4.58	13.04	4.63	13.90	4.72	14.88	4.74
	46	8.22	2.89	10.70	3.63	11.67	4.21	11.91	4.61	12.32	4.66	13.13	4.75	14.05	4.78
	48	8.22	2.92	10.70	3.66	10.98	4.24	11.21	4.57	11.53	4.62	12.17	4.71	12.90	4.73
7 + 9 + 18 + 24	20	8.22	1.82	10.70	2.29	12.58	2.65	14.01	2.91	14.49	2.94	15.44	2.99	16.53	3.01
	25	8.22	2.15	10.70	2.70	12.58	3.13	14.01	3.43	14.49	3.46	15.44	3.53	16.53	3.55
	32	8.22	2.61	10.70	3.27	12.58	3.79	14.01	4.16	14.49	4.20	15.44	4.29	16.53	4.31
	35	8.22	2.80	10.70	3.52	12.58	4.08	14.01	4.47	14.49	4.52	15.44	4.61	16.53	4.63
	40	8.22	2.84	10.70	3.57	12.58	4.13	13.31	4.53	13.76	4.58	14.67	4.67	15.70	4.70
	43	8.22	2.87	10.70	3.60	12.58	4.17	12.61	4.57	13.04	4.62	13.90	4.71	14.88	4.74
	46	8.22	2.89	10.70	3.63	11.67	4.20	11.91	4.61	12.32	4.66	13.13	4.75	14.05	4.77
9 + 9 + 18 + 24	20	8.22	1.82	10.70	2.28	12.58	2.64	14.01	2.90	14.49	2.93	15.44	2.98	16.53	3.00
	25	8.22	2.14	10.70	2.69	12.58	3.12	14.01	3.42	14.49	3.45	15.44	3.52	16.53	3.54
	32	8.22	2.60	10.70	3.26	12.58	3.78	14.01	4.15	14.49	4.19	15.44	4.27	16.53	4.30
	35	8.22	2.80	10.70	3.51	12.58	4.07	14.01	4.46	14.49	4.50	15.44	4.59	16.53	4.62
	40	8.22	2.83	10.70	3.56	12.58	4.12	13.31	4.52	13.76	4.57	14.67	4.66	15.70	4.68
	43	8.22	2.86	10.70	3.59	12.58	4.15	12.61	4.56	13.04	4.60	13.90	4.69	14.88	4.72
	46	8.22	2.88	10.70	3.62	11.67	4.19	11.91	4.59	12.32	4.64	13.13	4.73	14.05	4.76
12 + 12 + 1 + 2 + 24	20	8.22	1.84	10.70	2.31	12.58	2.68	14.01	2.94	14.49	2.97	15.44	3.03	16.53	3.05
	25	8.22	2.18	10.70	2.73	12.58	3.16	14.01	3.47	14.49	3.51	15.44	3.58	16.53	3.60
	32	8.22	2.64	10.70	3.31	12.58	3.84	14.01	4.21	14.49	4.25	15.44	4.34	16.53	4.36
	35	8.22	2.84	10.70	3.56	12.58	4.13	14.01	4.53	14.49	4.58	15.44	4.67	16.53	4.69
	40	8.22	2.88	10.70	3.61	12.58	4.19	13.31	4.59	13.76	4.64	14.67	4.73	15.70	4.76
	43	8.22	2.90	10.70	3.64	12.58	4.22	12.61	4.63	13.04	4.68	13.90	4.77	14.88	4.79
	46	8.22	2.92	10.70	3.67	11.67	4.25	11.91	4.66	12.32	4.71	13.13	4.81	14.05	4.83
12 + 12 + 1 + 8 + 18	20	8.22	1.82	10.70	2.28	12.58	2.64	14.01	2.90	14.49	2.93	15.44	2.98	16.53	3.00
	25	8.22	2.14	10.70	2.69	12.58	3.12	14.01	3.42	14.49	3.45	15.44	3.52	16.53	3.54
	32	8.22	2.60	10.70	3.26	12.58	3.78	14.01	4.15	14.49	4.19	15.44	4.27	16.53	4.30
	35	8.22	2.80	10.70	3.51	12.58	4.07	14.01	4.46	14.49	4.50	15.44	4.59	16.53	4.62
	40	8.22	2.83	10.70	3.56	12.58	4.12	13.31	4.52	13.76	4.57	14.67	4.66	15.70	4.68
	43	8.22	2.86	10.70	3.59	12.58	4.15	12.61	4.56	13.04	4.60	13.90	4.69	14.88	4.72
	46	8.22	2.88	10.70	3.62	11.67	4.19	11.91	4.59	12.32	4.64	13.13	4.73	14.05	4.76
7 + 12 + 18 + 24	20	8.22	1.81	10.70	2.28	12.58	2.64	14.01	2.89	14.49	2.92	15.44	2.98	16.53	3.00
	25	8.22	2.14	10.70	2.69	12.58	3.11	14.01	3.41	14.49	3.45	15.44	3.52	16.53	3.54
	32	8.22	2.60	10.70	3.26	12.58	3.78	14.01	4.14	14.49	4.18	15.44	4.27	16.53	4.29
	35	8.22	2.79	10.70	3.50	12.58	4.06	14.01	4.45	14.49	4.50	15.44	4.59	16.53	4.61
	40	8.22	2.83	10.70	3.55	12.58	4.12	13.31	4.51	13.76	4.56	14.67	4.65	15.70	4.68
	43	8.22	2.85	10.70	3.58	12.58	4.15	12.61	4.55	13.04	4.60	13.90	4.69	14.88	4.71
	46	8.22	2.88	10.70	3.61	11.67	4.18	11.91	4.59	12.32	4.64	13.13	4.73	14.05	4.75
7 + 18 + 18 + 18	20	8.22	1.79	10.70	2.24	12.58	2.60	14.01	2.85	14.49	2.88	15.44	2.93	16.53	2.95
	25	8.22	2.11	10.70	2.64	12.58	3.06	14.01	3.36	14.49	3.39	15.44	3.46	16.53	3.48
	32	8.22	2.56	10.70	3.21	12.58	3.72	14.01	4.08	14.49	4.12	15.44	4.20	16.53	4.22
	35	8.22	2.75	10.70	3.45	12.58	4.00	14.01	4.38	14.49	4.43	15.44	4.52	16.53	4.54

7. Capacity Tables

Combi.	Outdoor Air Temp. (°C, DB)	Indoor Air Temp. (°C, DB/WB)													
		20.0 / 14.0		23.0 / 16.0		26.0 / 18.0		27.0 / 19.0		28.0 / 20.0		30.0 / 22.0		32.0 / 24.0	
		TC	PI	TC	PI	TC	PI	TC	PI	TC	PI	TC	PI	TC	PI
12 + 18 + 1 8 + 24	32	8.22	2.51	10.70	3.16	12.58	3.66	14.01	4.01	14.49	4.05	15.44	4.13	16.53	4.16
	35	8.22	2.70	10.70	3.39	12.58	3.93	14.01	4.31	14.49	4.35	15.44	4.44	16.53	4.47
	40	8.22	2.74	10.70	3.44	12.58	3.99	13.31	4.37	13.76	4.41	14.67	4.50	15.70	4.53
	43	8.22	2.76	10.70	3.47	12.58	4.02	12.61	4.41	13.04	4.45	13.90	4.54	14.88	4.57
	46	8.22	2.78	10.70	3.50	11.67	4.05	11.91	4.44	12.32	4.49	13.13	4.58	14.05	4.60
	48	8.22	2.81	10.70	3.52	10.98	4.08	11.21	4.40	11.53	4.44	12.17	4.53	12.90	4.56
18 + 18 + 1 8 + 18	20	8.22	1.73	10.70	2.17	12.58	2.51	14.01	2.76	14.49	2.79	15.44	2.84	16.53	2.86
	25	8.22	2.04	10.70	2.56	12.58	2.97	14.01	3.25	14.49	3.28	15.44	3.35	16.53	3.37
	32	8.22	2.47	10.70	3.11	12.58	3.60	14.01	3.95	14.49	3.99	15.44	4.07	16.53	4.09
	35	8.22	2.66	10.70	3.34	12.58	3.87	14.01	4.25	14.49	4.29	15.44	4.37	16.53	4.40
	40	8.22	2.70	10.70	3.39	12.58	3.92	13.31	4.30	13.76	4.34	14.67	4.43	15.70	4.46
	43	8.22	2.72	10.70	3.41	12.58	3.95	12.61	4.34	13.04	4.38	13.90	4.47	14.88	4.49
	46	8.22	2.74	10.70	3.44	11.67	3.99	11.91	4.37	12.32	4.41	13.13	4.50	14.05	4.53
7 + 7 + 7 + 7 + 7	20	6.02	1.03	7.83	1.30	9.21	1.50	10.26	1.65	10.61	1.67	11.31	1.70	12.10	1.71
	25	6.02	1.22	7.83	1.53	9.21	1.77	10.26	1.94	10.61	1.96	11.31	2.00	12.10	2.01
	32	6.02	1.48	7.83	1.86	9.21	2.15	10.26	2.36	10.61	2.38	11.31	2.43	12.10	2.44
	35	6.02	1.59	7.83	2.00	9.21	2.31	10.26	2.54	10.61	2.56	11.31	2.61	12.10	2.63
	40	6.02	1.61	7.83	2.02	9.21	2.34	9.75	2.57	10.08	2.60	10.74	2.65	11.50	2.66
	43	6.02	1.62	7.83	2.04	9.21	2.36	9.23	2.59	9.55	2.62	10.18	2.67	10.89	2.68
	46	6.02	1.64	7.83	2.06	8.55	2.38	8.72	2.61	9.02	2.64	9.61	2.69	10.29	2.71
7 + 7 + 7 + 7 + 9	20	6.37	1.12	8.28	1.41	9.74	1.63	10.84	1.79	11.21	1.81	11.95	1.85	12.79	1.86
	25	6.37	1.33	8.28	1.67	9.74	1.93	10.84	2.12	11.21	2.14	11.95	2.18	12.79	2.19
	32	6.37	1.61	8.28	2.02	9.74	2.34	10.84	2.57	11.21	2.60	11.95	2.65	12.79	2.66
	35	6.37	1.73	8.28	2.17	9.74	2.52	10.84	2.76	11.21	2.79	11.95	2.84	12.79	2.86
	40	6.37	1.75	8.28	2.20	9.74	2.55	10.30	2.80	10.65	2.83	11.35	2.88	12.15	2.90
	43	6.37	1.77	8.28	2.22	9.74	2.57	9.76	2.82	10.09	2.85	10.76	2.91	11.51	2.92
	46	6.37	1.78	8.28	2.24	9.03	2.59	9.22	2.84	9.53	2.87	10.16	2.93	10.88	2.95
7 + 7 + 7 + 9 + 9	20	6.71	1.22	8.73	1.53	10.26	1.77	11.43	1.95	11.82	1.97	12.60	2.01	13.48	2.02
	25	6.71	1.44	8.73	1.81	10.26	2.09	11.43	2.30	11.82	2.32	12.60	2.37	13.48	2.38
	32	6.71	1.75	8.73	2.19	10.26	2.54	11.43	2.79	11.82	2.82	12.60	2.87	13.48	2.89
	35	6.71	1.88	8.73	2.36	10.26	2.73	11.43	3.00	11.82	3.03	12.60	3.09	13.48	3.11
	40	6.71	1.90	8.73	2.39	10.26	2.77	10.86	3.04	11.23	3.07	11.97	3.13	12.81	3.15
	43	6.71	1.92	8.73	2.41	10.26	2.79	10.29	3.06	10.64	3.09	11.34	3.16	12.14	3.17
	46	6.71	1.94	8.73	2.43	9.52	2.82	9.72	3.09	10.05	3.12	10.71	3.18	11.46	3.20
7 + 7 + 7 + 7 + 12	20	6.88	1.27	8.95	1.59	10.53	1.85	11.72	2.03	12.12	2.05	12.92	2.09	13.83	2.10
	25	6.88	1.50	8.95	1.88	10.53	2.18	11.72	2.39	12.12	2.41	12.92	2.46	13.83	2.48
	32	6.88	1.82	8.95	2.28	10.53	2.65	11.72	2.90	12.12	2.93	12.92	2.99	13.83	3.01
	35	6.88	1.96	8.95	2.46	10.53	2.84	11.72	3.12	12.12	3.15	12.92	3.21	13.83	3.23
	40	6.88	1.98	8.95	2.49	10.53	2.88	11.14	3.16	11.52	3.19	12.27	3.26	13.14	3.28
	43	6.88	2.00	8.95	2.51	10.53	2.91	10.55	3.19	10.91	3.22	11.63	3.28	12.45	3.30
	46	6.88	2.01	8.95	2.53	9.77	2.93	9.97	3.21	10.31	3.24	10.98	3.31	11.76	3.33
7 + 7 + 9 + 9 + 9	20	7.05	1.32	9.18	1.66	10.79	1.92	12.02	2.11	12.43	2.13	13.24	2.17	14.18	2.18
	25	7.05	1.56	9.18	1.96	10.79	2.27	12.02	2.49	12.43	2.51	13.24	2.56	14.18	2.58
	32	7.05	1.89	9.18	2.38	10.79	2.75	12.02	3.02	12.43	3.05	13.24	3.11	14.18	3.13
	35	7.05	2.03	9.18	2.55	10.79	2.96	12.02	3.25	12.43	3.28	13.24	3.34	14.18	3.36
	40	7.05	2.06	9.18	2.59	10.79	3.00	11.42	3.29	11.81	3.32	12.58	3.39	13.47	3.41

7. Capacity Tables

Combi.	Outdoor Air Temp. (°C, DB)	Indoor Air Temp. (°C, DB/WB)													
		20.0 / 14.0		23.0 / 16.0		26.0 / 18.0		27.0 / 19.0		28.0 / 20.0		30.0 / 22.0		32.0 / 24.0	
		TC	PI	TC	PI	TC	PI	TC	PI	TC	PI	TC	PI	TC	PI
7 + 7 + 9 + 9 + 9	43	7.05	2.08	9.18	2.61	10.79	3.02	10.82	3.32	11.19	3.35	11.92	3.42	12.76	3.44
	46	7.05	2.10	9.18	2.63	10.01	3.05	10.22	3.34	10.57	3.37	11.26	3.44	12.05	3.46
	48	7.05	2.11	9.18	2.65	9.42	3.07	9.61	3.31	9.88	3.34	10.43	3.41	11.07	3.43
7 + 7 + 7 + 9 + 12	20	7.23	1.37	9.40	1.72	11.05	2.00	12.31	2.19	12.73	2.21	13.57	2.26	14.52	2.27
	25	7.23	1.62	9.40	2.04	11.05	2.36	12.31	2.59	12.73	2.61	13.57	2.66	14.52	2.68
	32	7.23	1.97	9.40	2.47	11.05	2.86	12.31	3.14	12.73	3.17	13.57	3.23	14.52	3.25
	35	7.23	2.12	9.40	2.66	11.05	3.08	12.31	3.38	12.73	3.41	13.57	3.48	14.52	3.50
	40	7.23	2.14	9.40	2.69	11.05	3.12	11.69	3.42	12.09	3.45	12.89	3.52	13.80	3.54
	43	7.23	2.16	9.40	2.71	11.05	3.14	11.08	3.45	11.46	3.48	12.21	3.55	13.07	3.57
	46	7.23	2.18	9.40	2.74	10.26	3.17	10.46	3.48	10.82	3.51	11.53	3.58	12.35	3.60
7 + 9 + 9 + 9 + 9	20	7.40	1.43	9.62	1.79	11.32	2.08	12.60	2.28	13.03	2.30	13.89	2.35	14.87	2.36
	25	7.40	1.69	9.62	2.12	11.32	2.45	12.60	2.69	13.03	2.72	13.89	2.77	14.87	2.79
	32	7.40	2.05	9.62	2.57	11.32	2.98	12.60	3.26	13.03	3.29	13.89	3.36	14.87	3.38
	35	7.40	2.20	9.62	2.76	11.32	3.20	12.60	3.51	13.03	3.55	13.89	3.62	14.87	3.64
	40	7.40	2.23	9.62	2.80	11.32	3.24	11.97	3.56	12.38	3.59	13.20	3.66	14.12	3.69
	43	7.40	2.25	9.62	2.82	11.32	3.27	11.34	3.59	11.73	3.62	12.50	3.69	13.38	3.72
	46	7.40	2.27	9.62	2.84	10.50	3.30	10.71	3.62	11.08	3.65	11.81	3.72	12.64	3.75
7 + 7 + 9 + 9 + 12	20	7.57	1.50	9.85	1.88	11.58	2.17	12.90	2.39	13.34	2.41	14.21	2.46	15.21	2.47
	25	7.57	1.76	9.85	2.21	11.58	2.57	12.90	2.81	13.34	2.84	14.21	2.90	15.21	2.92
	32	7.57	2.14	9.85	2.69	11.58	3.11	12.90	3.42	13.34	3.45	14.21	3.52	15.21	3.54
	35	7.57	2.30	9.85	2.89	11.58	3.35	12.90	3.67	13.34	3.71	14.21	3.78	15.21	3.80
	40	7.57	2.33	9.85	2.93	11.58	3.39	12.25	3.72	12.67	3.76	13.50	3.83	14.45	3.86
	43	7.57	2.35	9.85	2.95	11.58	3.42	11.61	3.75	12.00	3.79	12.79	3.87	13.69	3.89
	46	7.57	2.37	9.85	2.98	10.74	3.45	10.96	3.78	11.33	3.82	12.08	3.90	12.93	3.92
7 + 7 + 7 + 12 + 12	20	7.74	1.56	10.07	1.96	11.84	2.27	13.19	2.49	13.64	2.52	14.54	2.57	15.56	2.58
	25	7.74	1.84	10.07	2.32	11.84	2.68	13.19	2.94	13.64	2.97	14.54	3.03	15.56	3.05
	32	7.74	2.24	10.07	2.81	11.84	3.26	13.19	3.57	13.64	3.61	14.54	3.68	15.56	3.70
	35	7.74	2.41	10.07	3.02	11.84	3.50	13.19	3.84	13.64	3.88	14.54	3.96	15.56	3.98
	40	7.74	2.44	10.07	3.06	11.84	3.55	12.53	3.89	12.96	3.93	13.81	4.01	14.78	4.03
	43	7.74	2.46	10.07	3.09	11.84	3.58	11.87	3.92	12.27	3.96	13.08	4.04	14.00	4.07
	46	7.74	2.48	10.07	3.11	10.99	3.61	11.21	3.96	11.59	4.00	12.36	4.08	13.23	4.10
9 + 9 + 9 + 9 + 9	20	7.74	1.56	10.07	1.96	11.84	2.27	13.19	2.49	13.64	2.52	14.54	2.57	15.56	2.58
	25	7.74	1.84	10.07	2.32	11.84	2.68	13.19	2.94	13.64	2.97	14.54	3.03	15.56	3.05
	32	7.74	2.24	10.07	2.81	11.84	3.26	13.19	3.57	13.64	3.61	14.54	3.68	15.56	3.70
	35	7.74	2.41	10.07	3.02	11.84	3.50	13.19	3.84	13.64	3.88	14.54	3.96	15.56	3.98
	40	7.74	2.44	10.07	3.06	11.84	3.55	12.53	3.89	12.96	3.93	13.81	4.01	14.78	4.03
	43	7.74	2.46	10.07	3.09	11.84	3.58	11.87	3.92	12.27	3.96	13.08	4.04	14.00	4.07
	46	7.74	2.48	10.07	3.11	10.99	3.61	11.21	3.96	11.59	4.00	12.36	4.08	13.23	4.10
7 + 7 + 7 + 7 + 18	20	7.91	1.61	10.29	2.03	12.11	2.35	13.48	2.58	13.94	2.60	14.86	2.65	15.91	2.67
	25	7.91	1.91	10.29	2.39	12.11	2.77	13.48	3.04	13.94	3.07	14.86	3.13	15.91	3.15
	32	7.91	2.31	10.29	2.90	12.11	3.36	13.48	3.69	13.94	3.73	14.86	3.80	15.91	3.82
	35	7.91	2.49	10.29	3.12	12.11	3.62	13.48	3.97	13.94	4.01	14.86	4.09	15.91	4.11
	40	7.91	2.52	10.29	3.16	12.11	3.67	12.81	4.02	13.25	4.06	14.12	4.14	15.11	4.17
	43	7.91	2.54	10.29	3.19	12.11	3.70	12.13	4.05	12.54	4.09	13.37	4.18	14.32	4.20
	46	7.91	2.56	10.29	3.22	11.23	3.73	11.46	4.09	11.85	4.13	12.63	4.21	13.52	4.23
48	7.91	2.58	10.29	3.24	10.57	3.76	10.79	4.05	11.10	4.09	11.71	4.17	12.42	4.19	

7. Capacity Tables

Combi.	Outdoor Air Temp. (°C, DB)	Indoor Air Temp. (°C, DB/WB)													
		20.0 / 14.0		23.0 / 16.0		26.0 / 18.0		27.0 / 19.0		28.0 / 20.0		30.0 / 22.0		32.0 / 24.0	
		TC	PI	TC	PI	TC	PI	TC	PI	TC	PI	TC	PI	TC	PI
7 + 9 + 9 + 9 + 12	20	7.91	1.63	10.29	2.05	12.11	2.38	13.48	2.61	13.94	2.64	14.86	2.69	15.91	2.70
	25	7.91	1.93	10.29	2.42	12.11	2.81	13.48	3.08	13.94	3.11	14.86	3.17	15.91	3.19
	32	7.91	2.34	10.29	2.94	12.11	3.40	13.48	3.73	13.94	3.77	14.86	3.85	15.91	3.87
	35	7.91	2.52	10.29	3.16	12.11	3.66	13.48	4.02	13.94	4.06	14.86	4.14	15.91	4.16
	40	7.91	2.55	10.29	3.20	12.11	3.71	12.81	4.07	13.25	4.11	14.12	4.19	15.11	4.22
	43	7.91	2.57	10.29	3.23	12.11	3.74	12.13	4.10	12.54	4.14	13.37	4.23	14.32	4.25
	46	7.91	2.59	10.29	3.25	11.23	3.77	11.46	4.14	11.85	4.18	12.63	4.26	13.52	4.28
	48	7.91	2.61	10.29	3.28	10.57	3.80	10.79	4.10	11.10	4.14	11.71	4.22	12.42	4.24
7 + 7 + 9 + 12 + 12	20	8.09	1.71	10.52	2.14	12.37	2.48	13.77	2.72	14.24	2.75	15.18	2.81	16.25	2.82
	25	8.09	2.02	10.52	2.53	12.37	2.93	13.77	3.21	14.24	3.24	15.18	3.31	16.25	3.33
	32	8.09	2.45	10.52	3.07	12.37	3.56	13.77	3.90	14.24	3.94	15.18	4.02	16.25	4.04
	35	8.09	2.63	10.52	3.30	12.37	3.82	13.77	4.20	14.24	4.24	15.18	4.32	16.25	4.35
	40	8.09	2.67	10.52	3.35	12.37	3.88	13.09	4.25	13.53	4.29	14.42	4.38	15.44	4.41
	43	8.09	2.69	10.52	3.37	12.37	3.91	12.40	4.29	12.82	4.33	13.66	4.42	14.63	4.44
	46	8.09	2.71	10.52	3.40	11.48	3.94	11.71	4.32	12.11	4.36	12.91	4.45	13.81	4.48
	48	8.09	2.73	10.52	3.43	10.80	3.97	11.02	4.28	11.33	4.32	11.96	4.41	12.69	4.43
7 + 7 + 7 + 9 + 18	20	8.22	1.75	10.70	2.19	12.58	2.54	14.01	2.79	14.49	2.82	15.44	2.87	16.53	2.89
	25	8.22	2.06	10.70	2.59	12.58	3.00	14.01	3.29	14.49	3.32	15.44	3.39	16.53	3.41
	32	8.22	2.50	10.70	3.14	12.58	3.64	14.01	3.99	14.49	4.03	15.44	4.11	16.53	4.14
	35	8.22	2.69	10.70	3.38	12.58	3.91	14.01	4.29	14.49	4.33	15.44	4.42	16.53	4.45
	40	8.22	2.73	10.70	3.42	12.58	3.97	13.31	4.35	13.76	4.39	14.67	4.48	15.70	4.51
	43	8.22	2.75	10.70	3.45	12.58	4.00	12.61	4.39	13.04	4.43	13.90	4.52	14.88	4.54
	46	8.22	2.77	10.70	3.48	11.67	4.03	11.91	4.42	12.32	4.46	13.13	4.55	14.05	4.58
	48	8.22	2.79	10.70	3.51	10.98	4.06	11.21	4.38	11.53	4.42	12.17	4.51	12.90	4.54
9 + 9 + 9 + 9 + 12	20	8.22	1.77	10.70	2.22	12.58	2.57	14.01	2.82	14.49	2.85	15.44	2.91	16.53	2.92
	25	8.22	2.09	10.70	2.62	12.58	3.04	14.01	3.33	14.49	3.36	15.44	3.43	16.53	3.45
	32	8.22	2.53	10.70	3.18	12.58	3.68	14.01	4.04	14.49	4.08	15.44	4.16	16.53	4.19
	35	8.22	2.72	10.70	3.42	12.58	3.96	14.01	4.34	14.49	4.39	15.44	4.48	16.53	4.50
	40	8.22	2.76	10.70	3.47	12.58	4.01	13.31	4.40	13.76	4.45	14.67	4.54	15.70	4.56
	43	8.22	2.78	10.70	3.49	12.58	4.05	12.61	4.44	13.04	4.48	13.90	4.57	14.88	4.60
	46	8.22	2.81	10.70	3.52	11.67	4.08	11.91	4.47	12.32	4.52	13.13	4.61	14.05	4.64
	48	8.22	2.83	10.70	3.55	10.98	4.11	11.21	4.43	11.53	4.48	12.17	4.57	12.90	4.59
7 + 9 + 9 + 12 + 12	20	8.22	1.77	10.70	2.22	12.58	2.57	14.01	2.82	14.49	2.85	15.44	2.90	16.53	2.92
	25	8.22	2.08	10.70	2.62	12.58	3.03	14.01	3.32	14.49	3.35	15.44	3.42	16.53	3.44
	32	8.22	2.53	10.70	3.17	12.58	3.68	14.01	4.03	14.49	4.07	15.44	4.16	16.53	4.18
	35	8.22	2.72	10.70	3.41	12.58	3.95	14.01	4.34	14.49	4.38	15.44	4.47	16.53	4.49
	40	8.22	2.76	10.70	3.46	12.58	4.01	13.31	4.40	13.76	4.44	14.67	4.53	15.70	4.56
	43	8.22	2.78	10.70	3.49	12.58	4.04	12.61	4.43	13.04	4.48	13.90	4.57	14.88	4.59
	46	8.22	2.80	10.70	3.52	11.67	4.07	11.91	4.47	12.32	4.51	13.13	4.60	14.05	4.63
	48	8.22	2.82	10.70	3.54	10.98	4.11	11.21	4.42	11.53	4.47	12.17	4.56	12.90	4.58
7 + 7 + 9 + 9 + 18	20	8.22	1.74	10.70	2.19	12.58	2.53	14.01	2.78	14.49	2.81	15.44	2.86	16.53	2.88
	25	8.22	2.06	10.70	2.58	12.58	2.99	14.01	3.28	14.49	3.31	15.44	3.38	16.53	3.40
	32	8.22	2.49	10.70	3.13	12.58	3.63	14.01	3.98	14.49	4.02	15.44	4.10	16.53	4.12
	35	8.22	2.68	10.70	3.37	12.58	3.90	14.01	4.28	14.49	4.32	15.44	4.41	16.53	4.43
	40	8.22	2.72	10.70	3.41	12.58	3.95	13.31	4.34	13.76	4.38	14.67	4.47	15.70	4.49
	43	8.22	2.74	10.70	3.44	12.58	3.99	12.61	4.37	13.04	4.41	13.90	4.50	14.88	4.53
	46	8.22	2.76	10.70	3.47	11.67	4.02	11.91	4.41	12.32	4.45	13.13	4.54	14.05	4.57
	48	8.22	2.79	10.70	3.50	10.98	4.05	11.21	4.37	11.53	4.41	12.17	4.50	12.90	4.52
7 + 7 + 12 + 12 + 12	20	8.22	1.76	10.70	2.21	12.58	2.56	14.01	2.81	14.49	2.84	15.44	2.90	16.53	2.91
	25	8.22	2.08	10.70	2.61	12.58	3.03	14.01	3.32	14.49	3.35	15.44	3.42	16.53	3.44
	32	8.22	2.52	10.70	3.17	12.58	3.67	14.01	4.03	14.49	4.07	15.44	4.15	16.53	4.17

7. Capacity Tables

Combi.	Outdoor Air Temp. (°C, DB)	Indoor Air Temp. (°C, DB/WB)													
		20.0 / 14.0		23.0 / 16.0		26.0 / 18.0		27.0 / 19.0		28.0 / 20.0		30.0 / 22.0		32.0 / 24.0	
		TC	PI	TC	PI	TC	PI	TC	PI	TC	PI	TC	PI	TC	PI
7 + 7 + 12 + 12 + 12	35	8.22	2.72	10.70	3.41	12.58	3.95	14.01	4.33	14.49	4.37	15.44	4.46	16.53	4.49
	40	8.22	2.75	10.70	3.45	12.58	4.00	13.31	4.39	13.76	4.43	14.67	4.52	15.70	4.55
	43	8.22	2.77	10.70	3.48	12.58	4.03	12.61	4.43	13.04	4.47	13.90	4.56	14.88	4.59
	46	8.22	2.80	10.70	3.51	11.67	4.07	11.91	4.46	12.32	4.51	13.13	4.60	14.05	4.62
	48	8.22	2.82	10.70	3.54	10.98	4.10	11.21	4.42	11.53	4.46	12.17	4.55	12.90	4.58
7 + 7 + 7 + 12 + 18	20	8.22	1.74	10.70	2.18	12.58	2.53	14.01	2.78	14.49	2.81	15.44	2.86	16.53	2.88
	25	8.22	2.05	10.70	2.58	12.58	2.99	14.01	3.27	14.49	3.30	15.44	3.37	16.53	3.39
	32	8.22	2.49	10.70	3.13	12.58	3.62	14.01	3.97	14.49	4.01	15.44	4.09	16.53	4.12
	35	8.22	2.68	10.70	3.36	12.58	3.90	14.01	4.27	14.49	4.31	15.44	4.40	16.53	4.43
	40	8.22	2.71	10.70	3.41	12.58	3.95	13.31	4.33	13.76	4.37	14.67	4.46	15.70	4.49
	43	8.22	2.74	10.70	3.44	12.58	3.98	12.61	4.37	13.04	4.41	13.90	4.50	14.88	4.52
	46	8.22	2.76	10.70	3.46	11.67	4.01	11.91	4.40	12.32	4.44	13.13	4.53	14.05	4.56
9 + 9 + 9 + 12 + 12	20	8.22	1.76	10.70	2.21	12.58	2.56	14.01	2.81	14.49	2.84	15.44	2.89	16.53	2.91
	25	8.22	2.08	10.70	2.61	12.58	3.02	14.01	3.31	14.49	3.34	15.44	3.41	16.53	3.43
	32	8.22	2.52	10.70	3.16	12.58	3.67	14.01	4.02	14.49	4.06	15.44	4.14	16.53	4.17
	35	8.22	2.71	10.70	3.40	12.58	3.94	14.01	4.33	14.49	4.37	15.44	4.46	16.53	4.48
	40	8.22	2.75	10.70	3.45	12.58	4.00	13.31	4.38	13.76	4.43	14.67	4.52	15.70	4.54
	43	8.22	2.77	10.70	3.48	12.58	4.03	12.61	4.42	13.04	4.46	13.90	4.55	14.88	4.58
	46	8.22	2.79	10.70	3.51	11.67	4.06	11.91	4.45	12.32	4.50	13.13	4.59	14.05	4.62
7 + 7 + 7 + 7 + 24	20	8.22	1.74	10.70	2.18	12.58	2.53	14.01	2.77	14.49	2.80	15.44	2.85	16.53	2.87
	25	8.22	2.05	10.70	2.57	12.58	2.98	14.01	3.27	14.49	3.30	15.44	3.37	16.53	3.39
	32	8.22	2.49	10.70	3.12	12.58	3.62	14.01	3.97	14.49	4.01	15.44	4.09	16.53	4.11
	35	8.22	2.67	10.70	3.36	12.58	3.89	14.01	4.27	14.49	4.31	15.44	4.40	16.53	4.42
	40	8.22	2.71	10.70	3.40	12.58	3.94	13.31	4.32	13.76	4.37	14.67	4.46	15.70	4.48
	43	8.22	2.73	10.70	3.43	12.58	3.97	12.61	4.36	13.04	4.40	13.90	4.49	14.88	4.52
	46	8.22	2.75	10.70	3.46	11.67	4.01	11.91	4.39	12.32	4.44	13.13	4.53	14.05	4.55
7 + 9 + 9 + 9 + 18	20	8.22	1.74	10.70	2.18	12.58	2.53	14.01	2.77	14.49	2.80	15.44	2.85	16.53	2.87
	25	8.22	2.05	10.70	2.57	12.58	2.98	14.01	3.27	14.49	3.30	15.44	3.37	16.53	3.39
	32	8.22	2.49	10.70	3.12	12.58	3.62	14.01	3.97	14.49	4.01	15.44	4.09	16.53	4.11
	35	8.22	2.67	10.70	3.36	12.58	3.89	14.01	4.27	14.49	4.31	15.44	4.40	16.53	4.42
	40	8.22	2.71	10.70	3.40	12.58	3.94	13.31	4.32	13.76	4.37	14.67	4.46	15.70	4.48
	43	8.22	2.73	10.70	3.43	12.58	3.97	12.61	4.36	13.04	4.40	13.90	4.49	14.88	4.52
	46	8.22	2.75	10.70	3.46	11.67	4.01	11.91	4.39	12.32	4.44	13.13	4.53	14.05	4.55
7 + 9 + 12 + 12 + 12	20	8.22	1.76	10.70	2.21	12.58	2.56	14.01	2.80	14.49	2.83	15.44	2.89	16.53	2.91
	25	8.22	2.07	10.70	2.60	12.58	3.02	14.01	3.31	14.49	3.34	15.44	3.41	16.53	3.43
	32	8.22	2.52	10.70	3.16	12.58	3.66	14.01	4.02	14.49	4.06	15.44	4.14	16.53	4.16
	35	8.22	2.71	10.70	3.40	12.58	3.94	14.01	4.32	14.49	4.36	15.44	4.45	16.53	4.47
	40	8.22	2.74	10.70	3.44	12.58	3.99	13.31	4.38	13.76	4.42	14.67	4.51	15.70	4.54
	43	8.22	2.77	10.70	3.47	12.58	4.02	12.61	4.41	13.04	4.46	13.90	4.55	14.88	4.57
	46	8.22	2.79	10.70	3.50	11.67	4.06	11.91	4.45	12.32	4.49	13.13	4.58	14.05	4.61
7 + 7 + 9 + 12 + 18	20	8.22	1.73	10.70	2.18	12.58	2.52	14.01	2.77	14.49	2.80	15.44	2.85	16.53	2.87
	25	8.22	2.05	10.70	2.57	12.58	2.98	14.01	3.26	14.49	3.29	15.44	3.36	16.53	3.38
	32	8.22	2.48	10.70	3.12	12.58	3.61	14.01	3.96	14.49	4.00	15.44	4.08	16.53	4.10
	35	8.22	2.67	10.70	3.35	12.58	3.88	14.01	4.26	14.49	4.30	15.44	4.39	16.53	4.41
	40	8.22	2.71	10.70	3.40	12.58	3.94	13.31	4.32	13.76	4.36	14.67	4.45	15.70	4.47
	43	8.22	2.73	10.70	3.43	12.58	3.97	12.61	4.35	13.04	4.39	13.90	4.48	14.88	4.51

7. Capacity Tables

Combi.	Outdoor Air Temp. (°C, DB)	Indoor Air Temp. (°C, DB/WB)													
		20.0 / 14.0		23.0 / 16.0		26.0 / 18.0		27.0 / 19.0		28.0 / 20.0		30.0 / 22.0		32.0 / 24.0	
		TC	PI	TC	PI	TC	PI	TC	PI	TC	PI	TC	PI	TC	PI
7 + 7 + 9 + 12 + 18	46	8.22	2.75	10.70	3.45	11.67	4.00	11.91	4.39	12.32	4.43	13.13	4.52	14.05	4.55
	48	8.22	2.77	10.70	3.48	10.98	4.03	11.21	4.35	11.53	4.39	12.17	4.48	12.90	4.50
7 + 7 + 7 + 9 + 24	20	8.22	1.73	10.70	2.17	12.58	2.52	14.01	2.76	14.49	2.79	15.44	2.85	16.53	2.86
	25	8.22	2.04	10.70	2.57	12.58	2.97	14.01	3.26	14.49	3.29	15.44	3.36	16.53	3.38
	32	8.22	2.48	10.70	3.11	12.58	3.61	14.01	3.96	14.49	4.00	15.44	4.07	16.53	4.10
	35	8.22	2.67	10.70	3.35	12.58	3.88	14.01	4.25	14.49	4.29	15.44	4.38	16.53	4.41
	40	8.22	2.70	10.70	3.39	12.58	3.93	13.31	4.31	13.76	4.35	14.67	4.44	15.70	4.47
	43	8.22	2.72	10.70	3.42	12.58	3.96	12.61	4.35	13.04	4.39	13.90	4.48	14.88	4.50
	46	8.22	2.75	10.70	3.45	11.67	3.99	11.91	4.38	12.32	4.42	13.13	4.51	14.05	4.54
	48	8.22	2.77	10.70	3.48	10.98	4.03	11.21	4.34	11.53	4.38	12.17	4.47	12.90	4.50
9 + 9 + 9 + 9 + 18	20	8.22	1.73	10.70	2.17	12.58	2.52	14.01	2.76	14.49	2.79	15.44	2.85	16.53	2.86
	25	8.22	2.04	10.70	2.57	12.58	2.97	14.01	3.26	14.49	3.29	15.44	3.36	16.53	3.38
	32	8.22	2.48	10.70	3.11	12.58	3.61	14.01	3.96	14.49	4.00	15.44	4.07	16.53	4.10
	35	8.22	2.67	10.70	3.35	12.58	3.88	14.01	4.25	14.49	4.29	15.44	4.38	16.53	4.41
	40	8.22	2.70	10.70	3.39	12.58	3.93	13.31	4.31	13.76	4.35	14.67	4.44	15.70	4.47
	43	8.22	2.72	10.70	3.42	12.58	3.96	12.61	4.35	13.04	4.39	13.90	4.48	14.88	4.50
	46	8.22	2.75	10.70	3.45	11.67	3.99	11.91	4.38	12.32	4.42	13.13	4.51	14.05	4.54
	48	8.22	2.77	10.70	3.48	10.98	4.03	11.21	4.34	11.53	4.38	12.17	4.47	12.90	4.50
9 + 9 + 12 + 12 + 12	20	8.22	1.75	10.70	2.20	12.58	2.55	14.01	2.80	14.49	2.83	15.44	2.88	16.53	2.90
	25	8.22	2.07	10.70	2.60	12.58	3.01	14.01	3.30	14.49	3.33	15.44	3.40	16.53	3.42
	32	8.22	2.51	10.70	3.15	12.58	3.65	14.01	4.00	14.49	4.04	15.44	4.12	16.53	4.15
	35	8.22	2.70	10.70	3.39	12.58	3.93	14.01	4.31	14.49	4.35	15.44	4.44	16.53	4.46
	40	8.22	2.74	10.70	3.43	12.58	3.98	13.31	4.36	13.76	4.41	14.67	4.50	15.70	4.52
	43	8.22	2.76	10.70	3.46	12.58	4.01	12.61	4.40	13.04	4.44	13.90	4.53	14.88	4.56
	46	8.22	2.78	10.70	3.49	11.67	4.04	11.91	4.43	12.32	4.48	13.13	4.57	14.05	4.59
	48	8.22	2.80	10.70	3.52	10.98	4.08	11.21	4.39	11.53	4.43	12.17	4.52	12.90	4.55
7 + 9 + 9 + 12 + 18	20	8.22	1.73	10.70	2.17	12.58	2.52	14.01	2.76	14.49	2.79	15.44	2.84	16.53	2.86
	25	8.22	2.04	10.70	2.56	12.58	2.97	14.01	3.26	14.49	3.29	15.44	3.35	16.53	3.37
	32	8.22	2.48	10.70	3.11	12.58	3.60	14.01	3.95	14.49	3.99	15.44	4.07	16.53	4.09
	35	8.22	2.66	10.70	3.34	12.58	3.87	14.01	4.25	14.49	4.29	15.44	4.38	16.53	4.40
	40	8.22	2.70	10.70	3.39	12.58	3.93	13.31	4.31	13.76	4.35	14.67	4.44	15.70	4.46
	43	8.22	2.72	10.70	3.42	12.58	3.96	12.61	4.34	13.04	4.38	13.90	4.47	14.88	4.50
	46	8.22	2.74	10.70	3.44	11.67	3.99	11.91	4.37	12.32	4.42	13.13	4.51	14.05	4.53
	48	8.22	2.76	10.70	3.47	10.98	4.02	11.21	4.33	11.53	4.37	12.17	4.46	12.90	4.49
7 + 12 + 12 + 12 + 12	20	8.22	1.75	10.70	2.20	12.58	2.55	14.01	2.79	14.49	2.82	15.44	2.88	16.53	2.89
	25	8.22	2.07	10.70	2.59	12.58	3.00	14.01	3.29	14.49	3.32	15.44	3.39	16.53	3.41
	32	8.22	2.51	10.70	3.15	12.58	3.64	14.01	4.00	14.49	4.04	15.44	4.12	16.53	4.14
	35	8.22	2.69	10.70	3.38	12.58	3.92	14.01	4.30	14.49	4.34	15.44	4.43	16.53	4.45
	40	8.22	2.73	10.70	3.43	12.58	3.97	13.31	4.36	13.76	4.40	14.67	4.49	15.70	4.51
	43	8.22	2.75	10.70	3.46	12.58	4.00	12.61	4.39	13.04	4.44	13.90	4.53	14.88	4.55
	46	8.22	2.78	10.70	3.48	11.67	4.04	11.91	4.43	12.32	4.47	13.13	4.56	14.05	4.59
	48	8.22	2.80	10.70	3.51	10.98	4.07	11.21	4.39	11.53	4.43	12.17	4.52	12.90	4.54
7 + 7 + 9 + 9 + 24	20	8.22	1.73	10.70	2.17	12.58	2.51	14.01	2.75	14.49	2.78	15.44	2.84	16.53	2.85
	25	8.22	2.04	10.70	2.56	12.58	2.96	14.01	3.25	14.49	3.28	15.44	3.35	16.53	3.37
	32	8.22	2.47	10.70	3.10	12.58	3.60	14.01	3.94	14.49	3.98	15.44	4.06	16.53	4.09
	35	8.22	2.66	10.70	3.34	12.58	3.87	14.01	4.24	14.49	4.28	15.44	4.37	16.53	4.39
	40	8.22	2.69	10.70	3.38	12.58	3.92	13.31	4.30	13.76	4.34	14.67	4.43	15.70	4.45
	43	8.22	2.72	10.70	3.41	12.58	3.95	12.61	4.33	13.04	4.37	13.90	4.46	14.88	4.49
	46	8.22	2.74	10.70	3.44	11.67	3.98	11.91	4.37	12.32	4.41	13.13	4.50	14.05	4.53
	48	8.22	2.76	10.70	3.47	10.98	4.01	11.21	4.33	11.53	4.37	12.17	4.46	12.90	4.48
7 + 7 + 12 + 12 + 18	20	8.22	1.73	10.70	2.17	12.58	2.51	14.01	2.75	14.49	2.78	15.44	2.84	16.53	2.85

7. Capacity Tables

Combi.	Outdoor Air Temp. (°C, DB)	Indoor Air Temp. (°C, DB/WB)													
		20.0 / 14.0		23.0 / 16.0		26.0 / 18.0		27.0 / 19.0		28.0 / 20.0		30.0 / 22.0		32.0 / 24.0	
		TC	PI	TC	PI	TC	PI	TC	PI	TC	PI	TC	PI	TC	PI
7 + 7 + 12 + 12 + 18	25	8.22	2.04	10.70	2.56	12.58	2.96	14.01	3.25	14.49	3.28	15.44	3.35	16.53	3.37
	32	8.22	2.47	10.70	3.10	12.58	3.60	14.01	3.94	14.49	3.98	15.44	4.06	16.53	4.09
	35	8.22	2.66	10.70	3.34	12.58	3.87	14.01	4.24	14.49	4.28	15.44	4.37	16.53	4.39
	40	8.22	2.69	10.70	3.38	12.58	3.92	13.31	4.30	13.76	4.34	14.67	4.43	15.70	4.45
	43	8.22	2.72	10.70	3.41	12.58	3.95	12.61	4.33	13.04	4.37	13.90	4.46	14.88	4.49
	46	8.22	2.74	10.70	3.44	11.67	3.98	11.91	4.37	12.32	4.41	13.13	4.50	14.05	4.53
	48	8.22	2.76	10.70	3.47	10.98	4.01	11.21	4.33	11.53	4.37	12.17	4.46	12.90	4.48
7 + 7 + 7 + 12 + 24	20	8.22	1.72	10.70	2.16	12.58	2.51	14.01	2.75	14.49	2.78	15.44	2.83	16.53	2.85
	25	8.22	2.03	10.70	2.55	12.58	2.96	14.01	3.25	14.49	3.28	15.44	3.34	16.53	3.36
	32	8.22	2.47	10.70	3.10	12.58	3.59	14.01	3.94	14.49	3.98	15.44	4.06	16.53	4.08
	35	8.22	2.65	10.70	3.33	12.58	3.86	14.01	4.23	14.49	4.27	15.44	4.36	16.53	4.39
	40	8.22	2.69	10.70	3.38	12.58	3.91	13.31	4.29	13.76	4.33	14.67	4.42	15.70	4.45
	43	8.22	2.71	10.70	3.40	12.58	3.94	12.61	4.33	13.04	4.37	13.90	4.46	14.88	4.48
	46	8.22	2.73	10.70	3.43	11.67	3.98	11.91	4.36	12.32	4.40	13.13	4.49	14.05	4.52
7 + 7 + 7 + 18 + 18	20	8.22	1.70	10.70	2.14	12.58	2.48	14.01	2.72	14.49	2.75	15.44	2.80	16.53	2.82
	25	8.22	2.01	10.70	2.52	12.58	2.92	14.01	3.21	14.49	3.24	15.44	3.30	16.53	3.32
	32	8.22	2.44	10.70	3.06	12.58	3.55	14.01	3.89	14.49	3.93	15.44	4.01	16.53	4.03
	35	8.22	2.62	10.70	3.29	12.58	3.81	14.01	4.18	14.49	4.22	15.44	4.31	16.53	4.33
	40	8.22	2.66	10.70	3.34	12.58	3.87	13.31	4.24	13.76	4.28	14.67	4.37	15.70	4.39
	43	8.22	2.68	10.70	3.36	12.58	3.90	12.61	4.27	13.04	4.31	13.90	4.40	14.88	4.43
	46	8.22	2.70	10.70	3.39	11.67	3.93	11.91	4.31	12.32	4.35	13.13	4.44	14.05	4.46
9 + 9 + 9 + 12 + 18	20	8.22	1.72	10.70	2.16	12.58	2.51	14.01	2.75	14.49	2.78	15.44	2.83	16.53	2.85
	25	8.22	2.03	10.70	2.55	12.58	2.96	14.01	3.25	14.49	3.28	15.44	3.34	16.53	3.36
	32	8.22	2.47	10.70	3.10	12.58	3.59	14.01	3.94	14.49	3.98	15.44	4.06	16.53	4.08
	35	8.22	2.65	10.70	3.33	12.58	3.86	14.01	4.23	14.49	4.27	15.44	4.36	16.53	4.39
	40	8.22	2.69	10.70	3.38	12.58	3.91	13.31	4.29	13.76	4.33	14.67	4.42	15.70	4.45
	43	8.22	2.71	10.70	3.40	12.58	3.94	12.61	4.33	13.04	4.37	13.90	4.46	14.88	4.48
	46	8.22	2.73	10.70	3.43	11.67	3.98	11.91	4.36	12.32	4.40	13.13	4.49	14.05	4.52
9 + 12 + 12 + 12 + 12	20	8.22	1.74	10.70	2.19	12.58	2.54	14.01	2.78	14.49	2.81	15.44	2.87	16.53	2.88
	25	8.22	2.06	10.70	2.58	12.58	2.99	14.01	3.28	14.49	3.31	15.44	3.38	16.53	3.40
	32	8.22	2.50	10.70	3.14	12.58	3.63	14.01	3.99	14.49	4.03	15.44	4.11	16.53	4.13
	35	8.22	2.69	10.70	3.37	12.58	3.91	14.01	4.29	14.49	4.33	15.44	4.42	16.53	4.44
	40	8.22	2.72	10.70	3.42	12.58	3.96	13.31	4.34	13.76	4.39	14.67	4.48	15.70	4.50
	43	8.22	2.75	10.70	3.45	12.58	3.99	12.61	4.38	13.04	4.42	13.90	4.51	14.88	4.54
	46	8.22	2.77	10.70	3.47	11.67	4.03	11.91	4.41	12.32	4.46	13.13	4.55	14.05	4.57
7 + 9 + 9 + 9 + 24	20	8.22	1.72	10.70	2.16	12.58	2.50	14.01	2.75	14.49	2.78	15.44	2.83	16.53	2.85
	25	8.22	2.03	10.70	2.55	12.58	2.95	14.01	3.24	14.49	3.27	15.44	3.34	16.53	3.36
	32	8.22	2.46	10.70	3.09	12.58	3.58	14.01	3.93	14.49	3.97	15.44	4.05	16.53	4.07
	35	8.22	2.65	10.70	3.33	12.58	3.85	14.01	4.23	14.49	4.27	15.44	4.36	16.53	4.38
	40	8.22	2.69	10.70	3.37	12.58	3.91	13.31	4.29	13.76	4.33	14.67	4.42	15.70	4.44
	43	8.22	2.71	10.70	3.40	12.58	3.94	12.61	4.32	13.04	4.36	13.90	4.45	14.88	4.48
	46	8.22	2.73	10.70	3.43	11.67	3.97	11.91	4.36	12.32	4.40	13.13	4.49	14.05	4.51
7 + 9 + 12 + 12 + 18	20	8.22	1.72	10.70	2.16	12.58	2.50	14.01	2.75	14.49	2.78	15.44	2.83	16.53	2.85
	25	8.22	2.03	10.70	2.55	12.58	2.95	14.01	3.24	14.49	3.27	15.44	3.34	16.53	3.36
	32	8.22	2.46	10.70	3.09	12.58	3.58	14.01	3.93	14.49	3.97	15.44	4.05	16.53	4.07
	35	8.22	2.65	10.70	3.33	12.58	3.85	14.01	4.23	14.49	4.27	15.44	4.36	16.53	4.38

7. Capacity Tables

Combi.	Outdoor Air Temp. (°C, DB)	Indoor Air Temp. (°C, DB/WB)													
		20.0 / 14.0		23.0 / 16.0		26.0 / 18.0		27.0 / 19.0		28.0 / 20.0		30.0 / 22.0		32.0 / 24.0	
		TC	PI	TC	PI	TC	PI	TC	PI	TC	PI	TC	PI	TC	PI
7 + 9 + 12 + 12 + 18	40	8.22	2.69	10.70	3.37	12.58	3.91	13.31	4.29	13.76	4.33	14.67	4.42	15.70	4.44
	43	8.22	2.71	10.70	3.40	12.58	3.94	12.61	4.32	13.04	4.36	13.90	4.45	14.88	4.48
	46	8.22	2.73	10.70	3.43	11.67	3.97	11.91	4.36	12.32	4.40	13.13	4.49	14.05	4.51
	48	8.22	2.75	10.70	3.45	10.98	4.00	11.21	4.31	11.53	4.35	12.17	4.44	12.90	4.47
7 + 7 + 9 + 12 + 24	20	8.22	1.72	10.70	2.16	12.58	2.50	14.01	2.74	14.49	2.77	15.44	2.82	16.53	2.84
	25	8.22	2.03	10.70	2.55	12.58	2.95	14.01	3.24	14.49	3.27	15.44	3.33	16.53	3.35
	32	8.22	2.46	10.70	3.09	12.58	3.58	14.01	3.93	14.49	3.97	15.44	4.04	16.53	4.07
	35	8.22	2.65	10.70	3.32	12.58	3.85	14.01	4.22	14.49	4.26	15.44	4.35	16.53	4.37
	40	8.22	2.68	10.70	3.37	12.58	3.90	13.31	4.28	13.76	4.32	14.67	4.41	15.70	4.43
	43	8.22	2.70	10.70	3.39	12.58	3.93	12.61	4.31	13.04	4.35	13.90	4.44	14.88	4.47
	46	8.22	2.73	10.70	3.42	11.67	3.96	11.91	4.35	12.32	4.39	13.13	4.48	14.05	4.51
7 + 7 + 9 + 18 + 18	20	8.22	1.70	10.70	2.13	12.58	2.47	14.01	2.71	14.49	2.74	15.44	2.79	16.53	2.81
	25	8.22	2.00	10.70	2.52	12.58	2.91	14.01	3.20	14.49	3.23	15.44	3.29	16.53	3.31
	32	8.22	2.43	10.70	3.05	12.58	3.54	14.01	3.88	14.49	3.92	15.44	4.00	16.53	4.02
	35	8.22	2.61	10.70	3.28	12.58	3.80	14.01	4.17	14.49	4.21	15.44	4.30	16.53	4.32
	40	8.22	2.65	10.70	3.33	12.58	3.85	13.31	4.23	13.76	4.27	14.67	4.36	15.70	4.38
	43	8.22	2.67	10.70	3.35	12.58	3.89	12.61	4.26	13.04	4.30	13.90	4.39	14.88	4.42
	46	8.22	2.69	10.70	3.38	11.67	3.92	11.91	4.30	12.32	4.34	13.13	4.43	14.05	4.45
	48	8.22	2.71	10.70	3.41	10.98	3.95	11.21	4.25	11.53	4.29	12.17	4.38	12.90	4.41
9 + 9 + 9 + 9 + 24	20	8.22	1.72	10.70	2.15	12.58	2.50	14.01	2.74	14.49	2.77	15.44	2.82	16.53	2.84
	25	8.22	2.03	10.70	2.54	12.58	2.95	14.01	3.23	14.49	3.26	15.44	3.33	16.53	3.35
	32	8.22	2.46	10.70	3.08	12.58	3.57	14.01	3.92	14.49	3.96	15.44	4.04	16.53	4.06
	35	8.22	2.64	10.70	3.32	12.58	3.84	14.01	4.22	14.49	4.26	15.44	4.34	16.53	4.37
	40	8.22	2.68	10.70	3.36	12.58	3.90	13.31	4.27	13.76	4.31	14.67	4.40	15.70	4.43
	43	8.22	2.70	10.70	3.39	12.58	3.93	12.61	4.31	13.04	4.35	13.90	4.44	14.88	4.46
	46	8.22	2.72	10.70	3.42	11.67	3.96	11.91	4.34	12.32	4.38	13.13	4.47	14.05	4.50
9 + 9 + 12 + 12 + 18	20	8.22	1.72	10.70	2.15	12.58	2.50	14.01	2.74	14.49	2.77	15.44	2.82	16.53	2.84
	25	8.22	2.03	10.70	2.54	12.58	2.95	14.01	3.23	14.49	3.26	15.44	3.33	16.53	3.35
	32	8.22	2.46	10.70	3.08	12.58	3.57	14.01	3.92	14.49	3.96	15.44	4.04	16.53	4.06
	35	8.22	2.64	10.70	3.32	12.58	3.84	14.01	4.22	14.49	4.26	15.44	4.34	16.53	4.37
	40	8.22	2.68	10.70	3.36	12.58	3.90	13.31	4.27	13.76	4.31	14.67	4.40	15.70	4.43
	43	8.22	2.70	10.70	3.39	12.58	3.93	12.61	4.31	13.04	4.35	13.90	4.44	14.88	4.46
	46	8.22	2.72	10.70	3.42	11.67	3.96	11.91	4.34	12.32	4.38	13.13	4.47	14.05	4.50
	48	8.22	2.74	10.70	3.44	10.98	3.99	11.21	4.30	11.53	4.34	12.17	4.43	12.90	4.46
12 + 12 + 1 2 + 12 + 12	20	8.22	1.74	10.70	2.18	12.58	2.53	14.01	2.77	14.49	2.80	15.44	2.85	16.53	2.87
	25	8.22	2.05	10.70	2.57	12.58	2.98	14.01	3.27	14.49	3.30	15.44	3.37	16.53	3.39
	32	8.22	2.49	10.70	3.12	12.58	3.62	14.01	3.97	14.49	4.01	15.44	4.09	16.53	4.11
	35	8.22	2.67	10.70	3.36	12.58	3.89	14.01	4.27	14.49	4.31	15.44	4.40	16.53	4.42
	40	8.22	2.71	10.70	3.40	12.58	3.94	13.31	4.33	13.76	4.37	14.67	4.46	15.70	4.48
	43	8.22	2.73	10.70	3.43	12.58	3.97	12.61	4.36	13.04	4.40	13.90	4.49	14.88	4.52
	46	8.22	2.75	10.70	3.46	11.67	4.01	11.91	4.39	12.32	4.44	13.13	4.53	14.05	4.55
7 + 9 + 9 + 12 + 24	20	8.22	1.71	10.70	2.15	12.58	2.49	14.01	2.73	14.49	2.76	15.44	2.82	16.53	2.83
	25	8.22	2.02	10.70	2.54	12.58	2.94	14.01	3.23	14.49	3.26	15.44	3.32	16.53	3.34
	32	8.22	2.45	10.70	3.08	12.58	3.57	14.01	3.91	14.49	3.95	15.44	4.03	16.53	4.06
	35	8.22	2.64	10.70	3.31	12.58	3.84	14.01	4.21	14.49	4.25	15.44	4.34	16.53	4.36
	40	8.22	2.67	10.70	3.36	12.58	3.89	13.31	4.27	13.76	4.31	14.67	4.40	15.70	4.42
	43	8.22	2.70	10.70	3.38	12.58	3.92	12.61	4.30	13.04	4.34	13.90	4.43	14.88	4.46
	46	8.22	2.72	10.70	3.41	11.67	3.95	11.91	4.34	12.32	4.38	13.13	4.47	14.05	4.49

7. Capacity Tables

Combi.	Outdoor Air Temp. (°C, DB)	Indoor Air Temp. (°C, DB/WB)													
		20.0 / 14.0		23.0 / 16.0		26.0 / 18.0		27.0 / 19.0		28.0 / 20.0		30.0 / 22.0		32.0 / 24.0	
		TC	PI	TC	PI	TC	PI	TC	PI	TC	PI	TC	PI	TC	PI
7 + 9 + 9 + 12 + 24	48	8.22	2.74	10.70	3.44	10.98	3.98	11.21	4.29	11.53	4.33	12.17	4.42	12.90	4.45
7 + 9 + 9 + 18 + 18	20	8.22	1.69	10.70	2.13	12.58	2.46	14.01	2.70	14.49	2.73	15.44	2.78	16.53	2.80
	25	8.22	2.00	10.70	2.51	12.58	2.91	14.01	3.19	14.49	3.22	15.44	3.28	16.53	3.30
	32	8.22	2.42	10.70	3.04	12.58	3.53	14.01	3.87	14.49	3.91	15.44	3.98	16.53	4.01
	35	8.22	2.61	10.70	3.27	12.58	3.79	14.01	4.16	14.49	4.20	15.44	4.28	16.53	4.31
	40	8.22	2.64	10.70	3.32	12.58	3.84	13.31	4.22	13.76	4.26	14.67	4.34	15.70	4.37
	43	8.22	2.66	10.70	3.34	12.58	3.87	12.61	4.25	13.04	4.29	13.90	4.38	14.88	4.40
	46	8.22	2.68	10.70	3.37	11.67	3.90	11.91	4.28	12.32	4.32	13.13	4.41	14.05	4.44
	48	8.22	2.71	10.70	3.40	10.98	3.94	11.21	4.24	11.53	4.28	12.17	4.37	12.90	4.39
7 + 12 + 12 + 12 + 18	20	8.22	1.71	10.70	2.15	12.58	2.49	14.01	2.73	14.49	2.76	15.44	2.82	16.53	2.83
	25	8.22	2.02	10.70	2.54	12.58	2.94	14.01	3.23	14.49	3.26	15.44	3.32	16.53	3.34
	32	8.22	2.45	10.70	3.08	12.58	3.57	14.01	3.91	14.49	3.95	15.44	4.03	16.53	4.06
	35	8.22	2.64	10.70	3.31	12.58	3.84	14.01	4.21	14.49	4.25	15.44	4.34	16.53	4.36
	40	8.22	2.67	10.70	3.36	12.58	3.89	13.31	4.27	13.76	4.31	14.67	4.40	15.70	4.42
	43	8.22	2.70	10.70	3.38	12.58	3.92	12.61	4.30	13.04	4.34	13.90	4.43	14.88	4.46
	46	8.22	2.72	10.70	3.41	11.67	3.95	11.91	4.34	12.32	4.38	13.13	4.47	14.05	4.49
	48	8.22	2.74	10.70	3.44	10.98	3.98	11.21	4.29	11.53	4.33	12.17	4.42	12.90	4.45
7 + 7 + 12 + 12 + 24	20	8.22	1.71	10.70	2.15	12.58	2.49	14.01	2.73	14.49	2.76	15.44	2.81	16.53	2.83
	25	8.22	2.02	10.70	2.53	12.58	2.94	14.01	3.22	14.49	3.25	15.44	3.32	16.53	3.34
	32	8.22	2.45	10.70	3.08	12.58	3.56	14.01	3.91	14.49	3.95	15.44	4.03	16.53	4.05
	35	8.22	2.63	10.70	3.31	12.58	3.83	14.01	4.20	14.49	4.24	15.44	4.33	16.53	4.35
	40	8.22	2.67	10.70	3.35	12.58	3.88	13.31	4.26	13.76	4.30	14.67	4.39	15.70	4.41
	43	8.22	2.69	10.70	3.38	12.58	3.92	12.61	4.29	13.04	4.33	13.90	4.42	14.88	4.45
	46	8.22	2.71	10.70	3.41	11.67	3.95	11.91	4.33	12.32	4.37	13.13	4.46	14.05	4.49
	48	8.22	2.74	10.70	3.43	10.98	3.98	11.21	4.29	11.53	4.33	12.17	4.42	12.90	4.44
7 + 7 + 7 + 18 + 24	20	8.22	1.69	10.70	2.12	12.58	2.45	14.01	2.69	14.49	2.72	15.44	2.77	16.53	2.79
	25	8.22	1.99	10.70	2.50	12.58	2.90	14.01	3.18	14.49	3.21	15.44	3.27	16.53	3.29
	32	8.22	2.42	10.70	3.03	12.58	3.51	14.01	3.86	14.49	3.90	15.44	3.97	16.53	3.99
	35	8.22	2.60	10.70	3.26	12.58	3.78	14.01	4.15	14.49	4.19	15.44	4.27	16.53	4.30
	40	8.22	2.63	10.70	3.31	12.58	3.83	13.31	4.20	13.76	4.24	14.67	4.33	15.70	4.35
	43	8.22	2.66	10.70	3.33	12.58	3.86	12.61	4.24	13.04	4.28	13.90	4.36	14.88	4.39
	46	8.22	2.68	10.70	3.36	11.67	3.89	11.91	4.27	12.32	4.31	13.13	4.40	14.05	4.42
	48	8.22	2.70	10.70	3.39	10.98	3.92	11.21	4.23	11.53	4.27	12.17	4.36	12.90	4.38
9 + 9 + 9 + 12 + 24	20	8.22	1.71	10.70	2.14	12.58	2.49	14.01	2.73	14.49	2.76	15.44	2.81	16.53	2.82
	25	8.22	2.02	10.70	2.53	12.58	2.93	14.01	3.22	14.49	3.25	15.44	3.31	16.53	3.33
	32	8.22	2.45	10.70	3.07	12.58	3.56	14.01	3.90	14.49	3.94	15.44	4.02	16.53	4.04
	35	8.22	2.63	10.70	3.30	12.58	3.83	14.01	4.20	14.49	4.24	15.44	4.32	16.53	4.35
	40	8.22	2.67	10.70	3.35	12.58	3.88	13.31	4.25	13.76	4.29	14.67	4.38	15.70	4.41
	43	8.22	2.69	10.70	3.37	12.58	3.91	12.61	4.29	13.04	4.33	13.90	4.42	14.88	4.44
	46	8.22	2.71	10.70	3.40	11.67	3.94	11.91	4.32	12.32	4.36	13.13	4.45	14.05	4.48
	48	8.22	2.73	10.70	3.43	10.98	3.97	11.21	4.28	11.53	4.32	12.17	4.41	12.90	4.44
9 + 9 + 9 + 18 + 18	20	8.22	1.69	10.70	2.12	12.58	2.45	14.01	2.69	14.49	2.72	15.44	2.77	16.53	2.79
	25	8.22	1.99	10.70	2.50	12.58	2.90	14.01	3.18	14.49	3.21	15.44	3.27	16.53	3.29
	32	8.22	2.42	10.70	3.03	12.58	3.51	14.01	3.86	14.49	3.90	15.44	3.97	16.53	3.99
	35	8.22	2.60	10.70	3.26	12.58	3.78	14.01	4.15	14.49	4.19	15.44	4.27	16.53	4.30
	40	8.22	2.63	10.70	3.31	12.58	3.83	13.31	4.20	13.76	4.24	14.67	4.33	15.70	4.35
	43	8.22	2.66	10.70	3.33	12.58	3.86	12.61	4.24	13.04	4.28	13.90	4.36	14.88	4.39
	46	8.22	2.68	10.70	3.36	11.67	3.89	11.91	4.27	12.32	4.31	13.13	4.40	14.05	4.42
	48	8.22	2.70	10.70	3.39	10.98	3.92	11.21	4.23	11.53	4.27	12.17	4.36	12.90	4.38
9 + 12 + 12 + 12 + 18	20	8.22	1.71	10.70	2.14	12.58	2.49	14.01	2.73	14.49	2.76	15.44	2.81	16.53	2.82
	25	8.22	2.02	10.70	2.53	12.58	2.93	14.01	3.22	14.49	3.25	15.44	3.31	16.53	3.33

7. Capacity Tables

Combi.	Outdoor Air Temp. (°C, DB)	Indoor Air Temp. (°C, DB/WB)													
		20.0 / 14.0		23.0 / 16.0		26.0 / 18.0		27.0 / 19.0		28.0 / 20.0		30.0 / 22.0		32.0 / 24.0	
		TC	PI	TC	PI	TC	PI	TC	PI	TC	PI	TC	PI	TC	PI
9 + 12 + 12 + 12 + 18	32	8.22	2.45	10.70	3.07	12.58	3.56	14.01	3.90	14.49	3.94	15.44	4.02	16.53	4.04
	35	8.22	2.63	10.70	3.30	12.58	3.83	14.01	4.20	14.49	4.24	15.44	4.32	16.53	4.35
	40	8.22	2.67	10.70	3.35	12.58	3.88	13.31	4.25	13.76	4.29	14.67	4.38	15.70	4.41
	43	8.22	2.69	10.70	3.37	12.58	3.91	12.61	4.29	13.04	4.33	13.90	4.42	14.88	4.44
	46	8.22	2.71	10.70	3.40	11.67	3.94	11.91	4.32	12.32	4.36	13.13	4.45	14.05	4.48
	48	8.22	2.73	10.70	3.43	10.98	3.97	11.21	4.28	11.53	4.32	12.17	4.41	12.90	4.44
7 + 9 + 12 + 12 + 24	20	8.22	1.71	10.70	2.14	12.58	2.48	14.01	2.72	14.49	2.75	15.44	2.80	16.53	2.82
	25	8.22	2.01	10.70	2.53	12.58	2.93	14.01	3.21	14.49	3.24	15.44	3.31	16.53	3.33
	32	8.22	2.44	10.70	3.07	12.58	3.55	14.01	3.90	14.49	3.94	15.44	4.01	16.53	4.04
	35	8.22	2.63	10.70	3.30	12.58	3.82	14.01	4.19	14.49	4.23	15.44	4.32	16.53	4.34
	40	8.22	2.66	10.70	3.34	12.58	3.87	13.31	4.25	13.76	4.29	14.67	4.38	15.70	4.40
	43	8.22	2.68	10.70	3.37	12.58	3.90	12.61	4.28	13.04	4.32	13.90	4.41	14.88	4.44
	46	8.22	2.71	10.70	3.40	11.67	3.94	11.91	4.32	12.32	4.36	13.13	4.45	14.05	4.47
7 + 9 + 12 + 18 + 18	20	8.22	1.69	10.70	2.12	12.58	2.45	14.01	2.69	14.49	2.72	15.44	2.77	16.53	2.79
	25	8.22	1.99	10.70	2.50	12.58	2.89	14.01	3.17	14.49	3.20	15.44	3.27	16.53	3.29
	32	8.22	2.41	10.70	3.03	12.58	3.51	14.01	3.85	14.49	3.89	15.44	3.97	16.53	3.99
	35	8.22	2.59	10.70	3.26	12.58	3.77	14.01	4.14	14.49	4.18	15.44	4.26	16.53	4.29
	40	8.22	2.63	10.70	3.30	12.58	3.83	13.31	4.20	13.76	4.24	14.67	4.32	15.70	4.35
	43	8.22	2.65	10.70	3.33	12.58	3.86	12.61	4.23	13.04	4.27	13.90	4.36	14.88	4.38
	46	8.22	2.67	10.70	3.36	11.67	3.89	11.91	4.26	12.32	4.30	13.13	4.39	14.05	4.42
7 + 7 + 9 + 18 + 24	20	8.22	1.68	10.70	2.11	12.58	2.45	14.01	2.68	14.49	2.71	15.44	2.77	16.53	2.78
	25	8.22	1.99	10.70	2.49	12.58	2.89	14.01	3.17	14.49	3.20	15.44	3.26	16.53	3.28
	32	8.22	2.41	10.70	3.02	12.58	3.50	14.01	3.84	14.49	3.88	15.44	3.96	16.53	3.98
	35	8.22	2.59	10.70	3.25	12.58	3.77	14.01	4.13	14.49	4.17	15.44	4.26	16.53	4.28
	40	8.22	2.63	10.70	3.30	12.58	3.82	13.31	4.19	13.76	4.23	14.67	4.32	15.70	4.34
	43	8.22	2.65	10.70	3.32	12.58	3.85	12.61	4.22	13.04	4.26	13.90	4.35	14.88	4.38
	46	8.22	2.67	10.70	3.35	11.67	3.88	11.91	4.26	12.32	4.30	13.13	4.39	14.05	4.41
9 + 9 + 12 + 12 + 24	20	8.22	1.70	10.70	2.14	12.58	2.47	14.01	2.71	14.49	2.74	15.44	2.80	16.53	2.81
	25	8.22	2.01	10.70	2.52	12.58	2.92	14.01	3.20	14.49	3.23	15.44	3.30	16.53	3.32
	32	8.22	2.44	10.70	3.06	12.58	3.54	14.01	3.89	14.49	3.93	15.44	4.00	16.53	4.03
	35	8.22	2.62	10.70	3.29	12.58	3.81	14.01	4.18	14.49	4.22	15.44	4.30	16.53	4.33
	40	8.22	2.65	10.70	3.33	12.58	3.86	13.31	4.23	13.76	4.27	14.67	4.36	15.70	4.39
	43	8.22	2.68	10.70	3.36	12.58	3.89	12.61	4.27	13.04	4.31	13.90	4.40	14.88	4.42
	46	8.22	2.70	10.70	3.39	11.67	3.92	11.91	4.30	12.32	4.34	13.13	4.43	14.05	4.46
	48	8.22	2.72	10.70	3.41	10.98	3.96	11.21	4.26	11.53	4.30	12.17	4.39	12.90	4.42
12 + 12 + 1 + 2 + 12 + 18	20	8.22	1.70	10.70	2.14	12.58	2.47	14.01	2.71	14.49	2.74	15.44	2.80	16.53	2.81
	25	8.22	2.01	10.70	2.52	12.58	2.92	14.01	3.20	14.49	3.23	15.44	3.30	16.53	3.32
	32	8.22	2.44	10.70	3.06	12.58	3.54	14.01	3.89	14.49	3.93	15.44	4.00	16.53	4.03
	35	8.22	2.62	10.70	3.29	12.58	3.81	14.01	4.18	14.49	4.22	15.44	4.30	16.53	4.33
	40	8.22	2.65	10.70	3.33	12.58	3.86	13.31	4.23	13.76	4.27	14.67	4.36	15.70	4.39
	43	8.22	2.68	10.70	3.36	12.58	3.89	12.61	4.27	13.04	4.31	13.90	4.40	14.88	4.42
	46	8.22	2.70	10.70	3.39	11.67	3.92	11.91	4.30	12.32	4.34	13.13	4.43	14.05	4.46
	48	8.22	2.72	10.70	3.41	10.98	3.96	11.21	4.26	11.53	4.30	12.17	4.39	12.90	4.42
7 + 9 + 9 + 18 + 24	20	8.22	1.68	10.70	2.11	12.58	2.44	14.01	2.68	14.49	2.71	15.44	2.76	16.53	2.77
	25	8.22	1.98	10.70	2.49	12.58	2.88	14.01	3.16	14.49	3.19	15.44	3.25	16.53	3.27
	32	8.22	2.40	10.70	3.02	12.58	3.49	14.01	3.83	14.49	3.87	15.44	3.95	16.53	3.97
	35	8.22	2.58	10.70	3.24	12.58	3.76	14.01	4.12	14.49	4.16	15.44	4.25	16.53	4.27
	40	8.22	2.62	10.70	3.29	12.58	3.81	13.31	4.18	13.76	4.22	14.67	4.30	15.70	4.33

7. Capacity Tables

Combi.	Outdoor Air Temp. (°C, DB)	Indoor Air Temp. (°C, DB/WB)													
		20.0 / 14.0		23.0 / 16.0		26.0 / 18.0		27.0 / 19.0		28.0 / 20.0		30.0 / 22.0		32.0 / 24.0	
		TC	PI	TC	PI	TC	PI	TC	PI	TC	PI	TC	PI	TC	PI
7 + 9 + 9 + 18 + 24	43	8.22	2.64	10.70	3.31	12.58	3.84	12.61	4.21	13.04	4.25	13.90	4.34	14.88	4.36
	46	8.22	2.66	10.70	3.34	11.67	3.87	11.91	4.24	12.32	4.28	13.13	4.37	14.05	4.40
	48	8.22	2.68	10.70	3.37	10.98	3.90	11.21	4.20	11.53	4.24	12.17	4.33	12.90	4.36
7 + 12 + 12 + 12 + 24	20	8.22	1.70	10.70	2.13	12.58	2.47	14.01	2.71	14.49	2.74	15.44	2.79	16.53	2.81
	25	8.22	2.00	10.70	2.52	12.58	2.91	14.01	3.20	14.49	3.23	15.44	3.29	16.53	3.31
	32	8.22	2.43	10.70	3.05	12.58	3.54	14.01	3.88	14.49	3.92	15.44	4.00	16.53	4.02
	35	8.22	2.61	10.70	3.28	12.58	3.80	14.01	4.17	14.49	4.21	15.44	4.30	16.53	4.32
	40	8.22	2.65	10.70	3.33	12.58	3.86	13.31	4.23	13.76	4.27	14.67	4.36	15.70	4.38
	43	8.22	2.67	10.70	3.35	12.58	3.89	12.61	4.26	13.04	4.30	13.90	4.39	14.88	4.42
	46	8.22	2.69	10.70	3.38	11.67	3.92	11.91	4.30	12.32	4.34	13.13	4.43	14.05	4.45
7 + 12 + 12 + 18 + 18	20	8.22	1.68	10.70	2.11	12.58	2.44	14.01	2.68	14.49	2.71	15.44	2.76	16.53	2.77
	25	8.22	1.98	10.70	2.49	12.58	2.88	14.01	3.16	14.49	3.19	15.44	3.25	16.53	3.27
	32	8.22	2.40	10.70	3.02	12.58	3.49	14.01	3.83	14.49	3.87	15.44	3.95	16.53	3.97
	35	8.22	2.58	10.70	3.24	12.58	3.76	14.01	4.12	14.49	4.16	15.44	4.25	16.53	4.27
	40	8.22	2.62	10.70	3.29	12.58	3.81	13.31	4.18	13.76	4.22	14.67	4.30	15.70	4.33
	43	8.22	2.64	10.70	3.31	12.58	3.84	12.61	4.21	13.04	4.25	13.90	4.34	14.88	4.36
	46	8.22	2.66	10.70	3.34	11.67	3.87	11.91	4.24	12.32	4.28	13.13	4.37	14.05	4.40
7 + 7 + 18 + 18 + 18	20	8.22	1.65	10.70	2.08	12.58	2.41	14.01	2.64	14.49	2.67	15.44	2.72	16.53	2.73
	25	8.22	1.95	10.70	2.45	12.58	2.84	14.01	3.11	14.49	3.14	15.44	3.21	16.53	3.23
	32	8.22	2.37	10.70	2.97	12.58	3.45	14.01	3.78	14.49	3.82	15.44	3.89	16.53	3.92
	35	8.22	2.55	10.70	3.20	12.58	3.71	14.01	4.06	14.49	4.10	15.44	4.19	16.53	4.21
	40	8.22	2.58	10.70	3.24	12.58	3.76	13.31	4.12	13.76	4.16	14.67	4.24	15.70	4.27
	43	8.22	2.60	10.70	3.27	12.58	3.79	12.61	4.15	13.04	4.19	13.90	4.28	14.88	4.30
	46	8.22	2.62	10.70	3.29	11.67	3.82	11.91	4.19	12.32	4.23	13.13	4.31	14.05	4.34
7 + 7 + 7 + 24 + 24	20	8.22	1.67	10.70	2.10	12.58	2.43	14.01	2.67	14.49	2.70	15.44	2.75	16.53	2.76
	25	8.22	1.97	10.70	2.48	12.58	2.87	14.01	3.15	14.49	3.18	15.44	3.24	16.53	3.26
	32	8.22	2.39	10.70	3.01	12.58	3.48	14.01	3.82	14.49	3.86	15.44	3.94	16.53	3.96
	35	8.22	2.58	10.70	3.23	12.58	3.75	14.01	4.11	14.49	4.15	15.44	4.23	16.53	4.26
	40	8.22	2.61	10.70	3.28	12.58	3.80	13.31	4.16	13.76	4.20	14.67	4.29	15.70	4.31
	43	8.22	2.63	10.70	3.30	12.58	3.83	12.61	4.20	13.04	4.24	13.90	4.32	14.88	4.35
	46	8.22	2.65	10.70	3.33	11.67	3.86	11.91	4.23	12.32	4.27	13.13	4.36	14.05	4.38
9 + 9 + 9 + 18 + 24	20	8.22	1.67	10.70	2.10	12.58	2.43	14.01	2.67	14.49	2.70	15.44	2.75	16.53	2.76
	25	8.22	1.97	10.70	2.48	12.58	2.87	14.01	3.15	14.49	3.18	15.44	3.24	16.53	3.26
	32	8.22	2.39	10.70	3.01	12.58	3.48	14.01	3.82	14.49	3.86	15.44	3.94	16.53	3.96
	35	8.22	2.58	10.70	3.23	12.58	3.75	14.01	4.11	14.49	4.15	15.44	4.23	16.53	4.26
	40	8.22	2.61	10.70	3.28	12.58	3.80	13.31	4.16	13.76	4.20	14.67	4.29	15.70	4.31
	43	8.22	2.63	10.70	3.30	12.58	3.83	12.61	4.20	13.04	4.24	13.90	4.32	14.88	4.35
	46	8.22	2.65	10.70	3.33	11.67	3.86	11.91	4.23	12.32	4.27	13.13	4.36	14.05	4.38
9 + 12 + 12 + 12 + 24	20	8.22	1.69	10.70	2.13	12.58	2.46	14.01	2.70	14.49	2.73	15.44	2.78	16.53	2.80
	25	8.22	2.00	10.70	2.51	12.58	2.91	14.01	3.19	14.49	3.22	15.44	3.28	16.53	3.30
	32	8.22	2.42	10.70	3.04	12.58	3.53	14.01	3.87	14.49	3.91	15.44	3.98	16.53	4.01
	35	8.22	2.61	10.70	3.27	12.58	3.79	14.01	4.16	14.49	4.20	15.44	4.28	16.53	4.31
	40	8.22	2.64	10.70	3.32	12.58	3.84	13.31	4.22	13.76	4.26	14.67	4.34	15.70	4.37
	43	8.22	2.66	10.70	3.34	12.58	3.87	12.61	4.25	13.04	4.29	13.90	4.38	14.88	4.40
	46	8.22	2.69	10.70	3.37	11.67	3.91	11.91	4.28	12.32	4.32	13.13	4.41	14.05	4.44
48	8.22	2.71	10.70	3.40	10.98	3.94	11.21	4.24	11.53	4.28	12.17	4.37	12.90	4.40	

7. Capacity Tables

Combi.	Outdoor Air Temp. (°C, DB)	Indoor Air Temp. (°C, DB/WB)													
		20.0 / 14.0		23.0 / 16.0		26.0 / 18.0		27.0 / 19.0		28.0 / 20.0		30.0 / 22.0		32.0 / 24.0	
		TC	PI	TC	PI	TC	PI	TC	PI	TC	PI	TC	PI	TC	PI
9 + 12 + 12 + 18 + 18	20	8.22	1.67	10.70	2.10	12.58	2.43	14.01	2.67	14.49	2.70	15.44	2.75	16.53	2.76
	25	8.22	1.97	10.70	2.48	12.58	2.87	14.01	3.15	14.49	3.18	15.44	3.24	16.53	3.26
	32	8.22	2.39	10.70	3.01	12.58	3.48	14.01	3.82	14.49	3.86	15.44	3.94	16.53	3.96
	35	8.22	2.58	10.70	3.23	12.58	3.75	14.01	4.11	14.49	4.15	15.44	4.23	16.53	4.26
	40	8.22	2.61	10.70	3.28	12.58	3.80	13.31	4.16	13.76	4.20	14.67	4.29	15.70	4.31
	43	8.22	2.63	10.70	3.30	12.58	3.83	12.61	4.20	13.04	4.24	13.90	4.32	14.88	4.35
	46	8.22	2.65	10.70	3.33	11.67	3.86	11.91	4.23	12.32	4.27	13.13	4.36	14.05	4.38
7 + 9 + 12 + 18 + 24	20	8.22	1.67	10.70	2.10	12.58	2.43	14.01	2.66	14.49	2.69	15.44	2.74	16.53	2.76
	25	8.22	1.97	10.70	2.47	12.58	2.87	14.01	3.14	14.49	3.17	15.44	3.24	16.53	3.26
	32	8.22	2.39	10.70	3.00	12.58	3.48	14.01	3.81	14.49	3.85	15.44	3.93	16.53	3.95
	35	8.22	2.57	10.70	3.23	12.58	3.74	14.01	4.10	14.49	4.14	15.44	4.23	16.53	4.25
	40	8.22	2.61	10.70	3.27	12.58	3.79	13.31	4.16	13.76	4.20	14.67	4.28	15.70	4.31
	43	8.22	2.63	10.70	3.30	12.58	3.82	12.61	4.19	13.04	4.23	13.90	4.32	14.88	4.34
	46	8.22	2.65	10.70	3.33	11.67	3.85	11.91	4.23	12.32	4.27	13.13	4.35	14.05	4.38
7 + 9 + 18 + 18 + 18	20	8.22	1.65	10.70	2.07	12.58	2.40	14.01	2.63	14.49	2.66	15.44	2.71	16.53	2.73
	25	8.22	1.95	10.70	2.44	12.58	2.83	14.01	3.11	14.49	3.14	15.44	3.20	16.53	3.22
	32	8.22	2.36	10.70	2.97	12.58	3.44	14.01	3.77	14.49	3.81	15.44	3.88	16.53	3.90
	35	8.22	2.54	10.70	3.19	12.58	3.69	14.01	4.05	14.49	4.09	15.44	4.17	16.53	4.20
	40	8.22	2.57	10.70	3.23	12.58	3.74	13.31	4.11	13.76	4.15	14.67	4.23	15.70	4.26
	43	8.22	2.60	10.70	3.26	12.58	3.77	12.61	4.14	13.04	4.18	13.90	4.27	14.88	4.29
	46	8.22	2.62	10.70	3.28	11.67	3.81	11.91	4.17	12.32	4.21	13.13	4.30	14.05	4.32
7 + 7 + 9 + 24 + 24	20	8.22	1.67	10.70	2.09	12.58	2.43	14.01	2.66	14.49	2.69	15.44	2.74	16.53	2.76
	25	8.22	1.97	10.70	2.47	12.58	2.86	14.01	3.14	14.49	3.17	15.44	3.23	16.53	3.25
	32	8.22	2.39	10.70	3.00	12.58	3.47	14.01	3.81	14.49	3.85	15.44	3.92	16.53	3.95
	35	8.22	2.57	10.70	3.22	12.58	3.73	14.01	4.10	14.49	4.14	15.44	4.22	16.53	4.24
	40	8.22	2.60	10.70	3.27	12.58	3.79	13.31	4.15	13.76	4.19	14.67	4.28	15.70	4.30
	43	8.22	2.62	10.70	3.29	12.58	3.82	12.61	4.19	13.04	4.23	13.90	4.31	14.88	4.34
	46	8.22	2.64	10.70	3.32	11.67	3.85	11.91	4.22	12.32	4.26	13.13	4.35	14.05	4.37
9 + 9 + 18 + 18 + 18	20	8.22	1.64	10.70	2.06	12.58	2.39	14.01	2.62	14.49	2.65	15.44	2.70	16.53	2.72
	25	8.22	1.94	10.70	2.44	12.58	2.82	14.01	3.10	14.49	3.13	15.44	3.19	16.53	3.21
	32	8.22	2.35	10.70	2.96	12.58	3.42	14.01	3.76	14.49	3.80	15.44	3.87	16.53	3.89
	35	8.22	2.53	10.70	3.18	12.58	3.68	14.01	4.04	14.49	4.08	15.44	4.16	16.53	4.19
	40	8.22	2.57	10.70	3.22	12.58	3.73	13.31	4.09	13.76	4.13	14.67	4.22	15.70	4.24
	43	8.22	2.59	10.70	3.25	12.58	3.76	12.61	4.13	13.04	4.17	13.90	4.25	14.88	4.28
	46	8.22	2.61	10.70	3.27	11.67	3.79	11.91	4.16	12.32	4.20	13.13	4.29	14.05	4.31
12 + 12 + 1 2 + 18 + 18	20	8.22	1.67	10.70	2.09	12.58	2.42	14.01	2.66	14.49	2.69	15.44	2.74	16.53	2.75
	25	8.22	1.96	10.70	2.47	12.58	2.86	14.01	3.13	14.49	3.16	15.44	3.23	16.53	3.25
	32	8.22	2.38	10.70	2.99	12.58	3.47	14.01	3.80	14.49	3.84	15.44	3.92	16.53	3.94
	35	8.22	2.56	10.70	3.22	12.58	3.73	14.01	4.09	14.49	4.13	15.44	4.21	16.53	4.24
	40	8.22	2.60	10.70	3.26	12.58	3.78	13.31	4.15	13.76	4.19	14.67	4.27	15.70	4.30
	43	8.22	2.62	10.70	3.29	12.58	3.81	12.61	4.18	13.04	4.22	13.90	4.31	14.88	4.33
	46	8.22	2.64	10.70	3.32	11.67	3.84	11.91	4.21	12.32	4.25	13.13	4.34	14.05	4.36
12 + 12 + 1 2 + 12 + 24	20	8.22	1.69	10.70	2.12	12.58	2.45	14.01	2.69	14.49	2.72	15.44	2.77	16.53	2.79
	25	8.22	1.99	10.70	2.50	12.58	2.89	14.01	3.17	14.49	3.20	15.44	3.27	16.53	3.29
	32	8.22	2.41	10.70	3.03	12.58	3.51	14.01	3.85	14.49	3.89	15.44	3.97	16.53	3.99

7. Capacity Tables

Combi.	Outdoor Air Temp. (°C, DB)	Indoor Air Temp. (°C, DB/WB)													
		20.0 / 14.0		23.0 / 16.0		26.0 / 18.0		27.0 / 19.0		28.0 / 20.0		30.0 / 22.0		32.0 / 24.0	
		TC	PI	TC	PI	TC	PI	TC	PI	TC	PI	TC	PI	TC	PI
12 + 12 + 1 2 + 12 + 24	35	8.22	2.60	10.70	3.26	12.58	3.77	14.01	4.14	14.49	4.18	15.44	4.27	16.53	4.29
	40	8.22	2.63	10.70	3.30	12.58	3.83	13.31	4.20	13.76	4.24	14.67	4.32	15.70	4.35
	43	8.22	2.65	10.70	3.33	12.58	3.86	12.61	4.23	13.04	4.27	13.90	4.36	14.88	4.38
	46	8.22	2.67	10.70	3.36	11.67	3.89	11.91	4.26	12.32	4.30	13.13	4.39	14.05	4.42
	48	8.22	2.69	10.70	3.38	10.98	3.92	11.21	4.22	11.53	4.26	12.17	4.35	12.90	4.38

Note

- DB : Dry bulb temperature(°C), WB : Wet bulb temperature(°C)
- TC : Total capacity(kW)
- PI : Power Input (kW, Compressor + indoor fan motor + outdoor fan motor)
- All capacities are net. A deduction (cooling mode) or an addition (heating mode) of Capacity due to operating heat of indoor unit motor is reflected.
- Capacities are based on the following conditions :
 - Interconnecting Piping Length (Both Main pipe and Branch pipe) is standard length.
 - Difference of Elevation (Outdoor ~ Indoor Unit) is 0 m.
- Direct interpolation is permissible. Do not extrapolate.
- Rated capacities and power inputs are based on standard temperature and piping conditions, and it can be found on specifications table.
Except for rated value, the performance is not guaranteed.
- In accordance with the test standard(or nations) and indoor unit's combinations, the rating will vary slightly.

7. Capacity Tables

7.2 Heating Operation

Z2UW18GFB1

Combi.	Outdoor Air Temp.		Indoor Air Temp. (°C, DB)											
			16.0		18.0		20.0		21.0		22.0		24.0	
	(°C, DB)	(°C, WB)	TC	PI	TC	PI	TC	PI	TC	PI	TC	PI	TC	PI
7 + 7	-13.7	-15	4.33	1.42	4.30	1.45	4.27	1.48	4.26	1.50	4.24	1.51	4.21	1.54
	-9.5	-10	4.80	1.48	4.77	1.51	4.72	1.51	4.62	1.49	4.53	1.46	4.34	1.40
	-4.4	-5	5.22	1.49	4.97	1.43	4.72	1.38	4.62	1.35	4.53	1.32	4.34	1.27
	0.7	0	5.22	1.35	4.97	1.30	4.72	1.24	4.62	1.22	4.53	1.19	4.34	1.13
	7	6	5.22	1.19	4.97	1.13	4.72	1.08	4.62	1.05	4.53	1.03	4.34	0.97
	11.2	10	5.22	1.09	4.97	1.04	4.72	0.99	4.62	0.97	4.53	0.94	4.34	0.89
	16.3	15	5.22	0.97	4.97	0.92	4.72	0.88	4.62	0.86	4.53	0.83	4.34	0.79
7 + 9	-13.7	-15	4.38	1.44	4.35	1.47	4.32	1.50	4.31	1.51	4.29	1.53	4.26	1.56
	-9.5	-10	4.86	1.50	4.83	1.53	4.80	1.56	4.79	1.58	4.77	1.59	4.74	1.63
	-4.4	-5	5.34	1.56	5.31	1.59	5.28	1.63	5.27	1.64	5.18	1.62	4.96	1.55
	0.7	0	5.82	1.63	5.68	1.58	5.39	1.52	5.28	1.49	5.18	1.45	4.96	1.39
	7	6	5.97	1.45	5.68	1.39	5.39	1.32	5.28	1.29	5.18	1.25	4.96	1.19
	11.2	10	5.97	1.33	5.68	1.27	5.39	1.21	5.28	1.18	5.18	1.15	4.96	1.09
	16.3	15	5.97	1.18	5.68	1.13	5.39	1.07	5.28	1.05	5.18	1.02	4.96	0.97
9 + 9	-13.7	-15	4.42	1.45	4.38	1.48	4.35	1.51	4.34	1.53	4.32	1.54	4.30	1.57
	-9.5	-10	4.90	1.51	4.87	1.54	4.84	1.57	4.82	1.59	4.81	1.61	4.78	1.64
	-4.4	-5	5.38	1.57	5.35	1.61	5.32	1.64	5.31	1.65	5.29	1.67	5.26	1.70
	0.7	0	5.87	1.64	5.83	1.67	5.80	1.70	5.69	1.66	5.57	1.62	5.34	1.53
	7	6	6.42	1.63	6.11	1.55	5.80	1.48	5.69	1.44	5.57	1.41	5.34	1.33
	11.2	10	6.42	1.49	6.11	1.42	5.80	1.36	5.69	1.32	5.57	1.29	5.34	1.22
	16.3	15	6.42	1.32	6.11	1.26	5.80	1.20	5.69	1.17	5.57	1.14	5.34	1.08
7 + 12	-13.7	-15	4.42	1.45	4.38	1.48	4.35	1.51	4.34	1.53	4.32	1.54	4.30	1.57
	-9.5	-10	4.90	1.51	4.87	1.54	4.84	1.57	4.82	1.59	4.81	1.61	4.78	1.64
	-4.4	-5	5.38	1.57	5.35	1.61	5.32	1.64	5.31	1.65	5.29	1.67	5.26	1.70
	0.7	0	5.87	1.64	5.83	1.67	5.80	1.70	5.69	1.66	5.57	1.62	5.34	1.53
	7	6	6.42	1.63	6.11	1.55	5.80	1.48	5.69	1.44	5.57	1.41	5.34	1.33
	11.2	10	6.42	1.49	6.11	1.42	5.80	1.36	5.69	1.32	5.57	1.29	5.34	1.22
	16.3	15	6.42	1.32	6.11	1.26	5.80	1.20	5.69	1.17	5.57	1.14	5.34	1.08
9 + 12	-13.7	-15	4.42	1.44	4.38	1.47	4.35	1.50	4.34	1.52	4.32	1.53	4.30	1.56
	-9.5	-10	4.90	1.50	4.87	1.53	4.84	1.56	4.82	1.58	4.81	1.59	4.78	1.63
	-4.4	-5	5.38	1.56	5.35	1.59	5.32	1.63	5.31	1.64	5.29	1.66	5.26	1.69
	0.7	0	5.87	1.63	5.83	1.66	5.80	1.69	5.69	1.65	5.57	1.61	5.34	1.52
	7	6	6.42	1.62	6.11	1.54	5.80	1.47	5.69	1.43	5.57	1.40	5.34	1.32
	11.2	10	6.42	1.48	6.11	1.42	5.80	1.35	5.69	1.31	5.57	1.28	5.34	1.21
	16.3	15	6.42	1.31	6.11	1.25	5.80	1.19	5.69	1.16	5.57	1.13	5.34	1.08
12 + 12	-13.7	-15	4.42	1.43	4.38	1.46	4.35	1.49	4.34	1.51	4.32	1.52	4.30	1.55
	-9.5	-10	4.90	1.49	4.87	1.52	4.84	1.55	4.82	1.57	4.81	1.58	4.78	1.62
	-4.4	-5	5.38	1.55	5.35	1.58	5.32	1.62	5.31	1.63	5.29	1.65	5.26	1.68
	0.7	0	5.87	1.62	5.83	1.65	5.80	1.68	5.69	1.64	5.57	1.60	5.34	1.51
	7	6	6.42	1.61	6.11	1.53	5.80	1.46	5.69	1.42	5.57	1.39	5.34	1.31
	11.2	10	6.42	1.47	6.11	1.41	5.80	1.34	5.69	1.30	5.57	1.27	5.34	1.20
	16.3	15	6.42	1.31	6.11	1.25	5.80	1.19	5.69	1.16	5.57	1.13	5.34	1.07
7 + 18	-13.7	-15	4.42	1.39	4.38	1.42	4.35	1.45	4.34	1.46	4.32	1.48	4.30	1.51
	-9.5	-10	4.90	1.45	4.87	1.48	4.84	1.51	4.82	1.53	4.81	1.54	4.78	1.57

7. Capacity Tables

Combi.	Outdoor Air Temp.		Indoor Air Temp. (°C, DB)											
			16.0		18.0		20.0		21.0		22.0		24.0	
	(°C, DB)	(°C, WB)	TC	PI	TC	PI	TC	PI	TC	PI	TC	PI	TC	PI
7 + 18	-4.4	-5	5.38	1.51	5.35	1.54	5.32	1.57	5.31	1.59	5.29	1.60	5.26	1.63
	0.7	0	5.87	1.57	5.83	1.60	5.80	1.63	5.69	1.59	5.57	1.55	5.34	1.47
	7	6	6.42	1.56	6.11	1.49	5.80	1.42	5.69	1.38	5.57	1.35	5.34	1.28
	11.2	10	6.42	1.43	6.11	1.37	5.80	1.30	5.69	1.27	5.57	1.24	5.34	1.17
	16.3	15	6.42	1.27	6.11	1.21	5.80	1.15	5.69	1.12	5.57	1.10	5.34	1.04
9 + 18	-13.7	-15	4.42	1.39	4.38	1.42	4.35	1.45	4.34	1.46	4.32	1.48	4.30	1.51
	-9.5	-10	4.90	1.45	4.87	1.48	4.84	1.51	4.82	1.53	4.81	1.54	4.78	1.57
	-4.4	-5	5.38	1.51	5.35	1.54	5.32	1.57	5.31	1.59	5.29	1.60	5.26	1.63
	0.7	0	5.87	1.57	5.83	1.60	5.80	1.63	5.69	1.59	5.57	1.55	5.34	1.47
	7	6	6.42	1.56	6.11	1.49	5.80	1.42	5.69	1.38	5.57	1.35	5.34	1.28
	11.2	10	6.42	1.43	6.11	1.37	5.80	1.30	5.69	1.27	5.57	1.24	5.34	1.17
	16.3	15	6.42	1.27	6.11	1.21	5.80	1.15	5.69	1.12	5.57	1.10	5.34	1.04

Note

- DB : Dry bulb temperature(°C), WB : Wet bulb temperature(°C)
- TC : Total capacity(kW)
- PI : Power Input (kW, Compressor + indoor fan motor + outdoor fan motor)
- All capacities are net. A deduction (cooling mode) or an addition (heating mode) of Capacity due to operating heat of indoor unit motor is reflected.
- Capacities are based on the following conditions :
 - Interconnecting Piping Length (Both Main pipe and Branch pipe) is standard length.
 - Difference of Elevation (Outdoor ~ Indoor Unit) is 0 m.
- Direct interpolation is permissible. Do not extrapolate.
- Rated capacities and power inputs are based on standard temperature and piping conditions, and it can be found on specifications table. Except for rated value, the performance is not guaranteed.
- In accordance with the test standard(or nations) and indoor unit's combinations, the rating will vary slightly.

7. Capacity Tables

Z3UW21GFB1

Combi.	Outdoor Air Temp.		Indoor Air Temp. (°C, DB)											
			16.0		18.0		20.0		21.0		22.0		24.0	
	(°C, DB)	(°C, WB)	TC	PI	TC	PI	TC	PI	TC	PI	TC	PI	TC	PI
7 + 7	-13.7	-15	4.57	1.55	4.54	1.59	4.51	1.62	4.49	1.62	4.48	1.59	4.34	1.54
	-9.5	-10	5.07	1.62	4.97	1.57	4.72	1.51	4.62	1.49	4.53	1.46	4.34	1.40
	-4.4	-5	5.22	1.49	4.97	1.43	4.72	1.38	4.62	1.35	4.53	1.32	4.34	1.27
	0.7	0	5.22	1.35	4.97	1.30	4.72	1.24	4.62	1.22	4.53	1.19	4.34	1.13
	7	6	5.22	1.19	4.97	1.13	4.72	1.08	4.62	1.05	4.53	1.03	4.34	0.97
	11.2	10	5.22	1.09	4.97	1.04	4.72	0.99	4.62	0.97	4.53	0.94	4.34	0.89
	16.3	15	5.22	0.97	4.97	0.92	4.72	0.88	4.62	0.86	4.53	0.83	4.34	0.79
7 + 9	-13.7	-15	4.62	1.57	4.59	1.61	4.56	1.64	4.54	1.66	4.53	1.68	4.50	1.71
	-9.5	-10	5.13	1.64	5.09	1.68	5.06	1.71	5.05	1.73	5.03	1.75	4.96	1.72
	-4.4	-5	5.63	1.71	5.60	1.75	5.39	1.68	5.28	1.65	5.18	1.62	4.96	1.55
	0.7	0	5.97	1.65	5.68	1.58	5.39	1.52	5.28	1.49	5.18	1.45	4.96	1.39
	7	6	5.97	1.45	5.68	1.39	5.39	1.32	5.28	1.29	5.18	1.25	4.96	1.19
	11.2	10	5.97	1.33	5.68	1.27	5.39	1.21	5.28	1.18	5.18	1.15	4.96	1.09
	16.3	15	5.97	1.18	5.68	1.13	5.39	1.07	5.28	1.05	5.18	1.02	4.96	0.97
9 + 9	-13.7	-15	4.67	1.59	4.64	1.63	4.61	1.66	4.59	1.68	4.58	1.70	4.55	1.73
	-9.5	-10	5.18	1.66	5.15	1.70	5.12	1.73	5.10	1.75	5.09	1.77	5.06	1.80
	-4.4	-5	5.70	1.73	5.66	1.77	5.63	1.80	5.62	1.82	5.60	1.84	5.57	1.87
	0.7	0	6.21	1.80	6.17	1.84	6.07	1.84	5.95	1.80	5.82	1.76	5.58	1.68
	7	6	6.72	1.76	6.39	1.68	6.07	1.60	5.95	1.56	5.82	1.52	5.58	1.44
	11.2	10	6.72	1.61	6.39	1.54	6.07	1.47	5.95	1.43	5.82	1.39	5.58	1.32
	16.3	15	6.72	1.43	6.39	1.37	6.07	1.30	5.95	1.27	5.82	1.24	5.58	1.17
7 + 12	-13.7	-15	4.68	1.60	4.65	1.64	4.62	1.67	4.60	1.69	4.59	1.71	4.56	1.74
	-9.5	-10	5.20	1.67	5.16	1.71	5.13	1.74	5.11	1.76	5.10	1.78	5.07	1.81
	-4.4	-5	5.71	1.74	5.68	1.78	5.64	1.81	5.63	1.83	5.61	1.85	5.58	1.89
	0.7	0	6.22	1.81	6.19	1.85	6.15	1.89	6.03	1.84	5.91	1.79	5.66	1.70
	7	6	6.81	1.80	6.48	1.72	6.15	1.64	6.03	1.60	5.91	1.56	5.66	1.48
	11.2	10	6.81	1.65	6.48	1.58	6.15	1.50	6.03	1.47	5.91	1.43	5.66	1.35
	16.3	15	6.81	1.47	6.48	1.40	6.15	1.33	6.03	1.30	5.91	1.27	5.66	1.20
9 + 12	-13.7	-15	4.68	1.59	4.65	1.63	4.62	1.66	4.60	1.68	4.59	1.70	4.56	1.73
	-9.5	-10	5.20	1.66	5.16	1.70	5.13	1.73	5.11	1.75	5.10	1.77	5.07	1.80
	-4.4	-5	5.71	1.73	5.68	1.77	5.64	1.80	5.63	1.82	5.61	1.84	5.58	1.87
	0.7	0	6.22	1.80	6.19	1.84	6.15	1.87	6.03	1.83	5.91	1.78	5.66	1.69
	7	6	6.81	1.79	6.48	1.71	6.15	1.63	6.03	1.59	5.91	1.55	5.66	1.47
	11.2	10	6.81	1.64	6.48	1.57	6.15	1.49	6.03	1.46	5.91	1.42	5.66	1.34
	16.3	15	6.81	1.46	6.48	1.39	6.15	1.32	6.03	1.29	5.91	1.26	5.66	1.19
12 + 12	-13.7	-15	4.68	1.57	4.65	1.61	4.62	1.64	4.60	1.66	4.59	1.68	4.56	1.71
	-9.5	-10	5.20	1.64	5.16	1.68	5.13	1.71	5.11	1.73	5.10	1.75	5.07	1.78
	-4.4	-5	5.71	1.71	5.68	1.75	5.64	1.78	5.63	1.80	5.61	1.82	5.58	1.85
	0.7	0	6.22	1.78	6.19	1.82	6.15	1.85	6.03	1.81	5.91	1.76	5.66	1.67
	7	6	6.81	1.77	6.48	1.69	6.15	1.61	6.03	1.57	5.91	1.53	5.66	1.45
	11.2	10	6.81	1.62	6.48	1.55	6.15	1.48	6.03	1.44	5.91	1.40	5.66	1.33
	16.3	15	6.81	1.44	6.48	1.37	6.15	1.31	6.03	1.28	5.91	1.24	5.66	1.18
7 + 18	-13.7	-15	4.68	1.55	4.65	1.59	4.62	1.62	4.60	1.64	4.59	1.66	4.56	1.69
	-9.5	-10	5.20	1.62	5.16	1.66	5.13	1.69	5.11	1.71	5.10	1.73	5.07	1.76
	-4.4	-5	5.71	1.69	5.68	1.73	5.64	1.76	5.63	1.78	5.61	1.79	5.58	1.83
	0.7	0	6.22	1.76	6.19	1.79	6.15	1.83	6.03	1.78	5.91	1.74	5.66	1.65

7. Capacity Tables

Combi.	Outdoor Air Temp.		Indoor Air Temp. (°C, DB)											
			16.0		18.0		20.0		21.0		22.0		24.0	
	(°C, DB)	(°C, WB)	TC	PI	TC	PI	TC	PI	TC	PI	TC	PI	TC	PI
7 + 18	7	6	6.81	1.75	6.48	1.67	6.15	1.59	6.03	1.55	5.91	1.51	5.66	1.43
	11.2	10	6.81	1.60	6.48	1.53	6.15	1.46	6.03	1.42	5.91	1.38	5.66	1.31
	16.3	15	6.81	1.42	6.48	1.36	6.15	1.29	6.03	1.26	5.91	1.23	5.66	1.16
9 + 18	-13.7	-15	4.68	1.54	4.65	1.58	4.62	1.61	4.60	1.63	4.59	1.65	4.56	1.68
	-9.5	-10	5.20	1.61	5.16	1.65	5.13	1.68	5.11	1.70	5.10	1.71	5.07	1.75
	-4.4	-5	5.71	1.68	5.68	1.71	5.64	1.75	5.63	1.77	5.61	1.78	5.58	1.82
	0.7	0	6.22	1.75	6.19	1.78	6.15	1.82	6.03	1.77	5.91	1.73	5.66	1.64
	7	6	6.81	1.74	6.48	1.66	6.15	1.58	6.03	1.54	5.91	1.50	5.66	1.42
	11.2	10	6.81	1.59	6.48	1.52	6.15	1.45	6.03	1.41	5.91	1.38	5.66	1.30
	16.3	15	6.81	1.41	6.48	1.35	6.15	1.28	6.03	1.25	5.91	1.22	5.66	1.16
12 + 18	-13.7	-15	4.68	1.53	4.65	1.57	4.62	1.60	4.60	1.62	4.59	1.64	4.56	1.67
	-9.5	-10	5.20	1.60	5.16	1.64	5.13	1.67	5.11	1.69	5.10	1.70	5.07	1.74
	-4.4	-5	5.71	1.67	5.68	1.70	5.64	1.74	5.63	1.75	5.61	1.77	5.58	1.81
	0.7	0	6.22	1.74	6.19	1.77	6.15	1.81	6.03	1.76	5.91	1.72	5.66	1.63
	7	6	6.81	1.73	6.48	1.65	6.15	1.57	6.03	1.53	5.91	1.49	5.66	1.41
	11.2	10	6.81	1.58	6.48	1.51	6.15	1.44	6.03	1.40	5.91	1.37	5.66	1.30
	16.3	15	6.81	1.40	6.48	1.34	6.15	1.28	6.03	1.24	5.91	1.21	5.66	1.15
7 + 7 + 7	-13.7	-15	4.68	1.49	4.65	1.53	4.62	1.56	4.60	1.58	4.59	1.59	4.56	1.63
	-9.5	-10	5.20	1.56	5.16	1.59	5.13	1.63	5.11	1.64	5.10	1.66	5.07	1.69
	-4.4	-5	5.71	1.63	5.68	1.66	5.64	1.69	5.63	1.71	5.61	1.73	5.58	1.76
	0.7	0	6.22	1.69	6.19	1.73	6.15	1.76	6.03	1.72	5.91	1.67	5.66	1.58
	7	6	6.81	1.68	6.48	1.61	6.15	1.53	6.03	1.49	5.91	1.45	5.66	1.38
	11.2	10	6.81	1.54	6.48	1.47	6.15	1.40	6.03	1.37	5.91	1.33	5.66	1.26
	16.3	15	6.81	1.37	6.48	1.31	6.15	1.24	6.03	1.21	5.91	1.18	5.66	1.12
7 + 7 + 9	-13.7	-15	4.68	1.48	4.65	1.52	4.62	1.55	4.60	1.57	4.59	1.58	4.56	1.62
	-9.5	-10	5.20	1.55	5.16	1.58	5.13	1.62	5.11	1.63	5.10	1.65	5.07	1.68
	-4.4	-5	5.71	1.62	5.68	1.65	5.64	1.68	5.63	1.70	5.61	1.72	5.58	1.75
	0.7	0	6.22	1.68	6.19	1.72	6.15	1.75	6.03	1.70	5.91	1.66	5.66	1.57
	7	6	6.81	1.67	6.48	1.60	6.15	1.52	6.03	1.48	5.91	1.44	5.66	1.37
	11.2	10	6.81	1.53	6.48	1.46	6.15	1.39	6.03	1.36	5.91	1.32	5.66	1.25
	16.3	15	6.81	1.36	6.48	1.30	6.15	1.24	6.03	1.20	5.91	1.17	5.66	1.11
7 + 9 + 9	-13.7	-15	4.68	1.47	4.65	1.51	4.62	1.54	4.60	1.56	4.59	1.57	4.56	1.61
	-9.5	-10	5.20	1.54	5.16	1.57	5.13	1.61	5.11	1.62	5.10	1.64	5.07	1.67
	-4.4	-5	5.71	1.61	5.68	1.64	5.64	1.67	5.63	1.69	5.61	1.70	5.58	1.74
	0.7	0	6.22	1.67	6.19	1.70	6.15	1.74	6.03	1.69	5.91	1.65	5.66	1.56
	7	6	6.81	1.66	6.48	1.59	6.15	1.51	6.03	1.47	5.91	1.43	5.66	1.36
	11.2	10	6.81	1.52	6.48	1.45	6.15	1.38	6.03	1.35	5.91	1.32	5.66	1.25
	16.3	15	6.81	1.35	6.48	1.29	6.15	1.23	6.03	1.20	5.91	1.17	5.66	1.10
7 + 7 + 1 2	-13.7	-15	4.68	1.47	4.65	1.51	4.62	1.54	4.60	1.56	4.59	1.57	4.56	1.61
	-9.5	-10	5.20	1.54	5.16	1.57	5.13	1.61	5.11	1.62	5.10	1.64	5.07	1.67
	-4.4	-5	5.71	1.61	5.68	1.64	5.64	1.67	5.63	1.69	5.61	1.70	5.58	1.74
	0.7	0	6.22	1.67	6.19	1.70	6.15	1.74	6.03	1.69	5.91	1.65	5.66	1.56
	7	6	6.81	1.66	6.48	1.59	6.15	1.51	6.03	1.47	5.91	1.43	5.66	1.36
	11.2	10	6.81	1.52	6.48	1.45	6.15	1.38	6.03	1.35	5.91	1.32	5.66	1.25
	16.3	15	6.81	1.35	6.48	1.29	6.15	1.23	6.03	1.20	5.91	1.17	5.66	1.10
9 + 9 + 9	-13.7	-15	4.68	1.47	4.65	1.50	4.62	1.53	4.60	1.55	4.59	1.56	4.56	1.59
	-9.5	-10	5.20	1.53	5.16	1.56	5.13	1.59	5.11	1.61	5.10	1.63	5.07	1.66

7. Capacity Tables

Combi.	Outdoor Air Temp.		Indoor Air Temp. (°C, DB)											
			16.0		18.0		20.0		21.0		22.0		24.0	
	(°C, DB)	(°C, WB)	TC	PI	TC	PI	TC	PI	TC	PI	TC	PI	TC	PI
9 + 9 + 9	-4.4	-5	5.71	1.59	5.68	1.63	5.64	1.66	5.63	1.68	5.61	1.69	5.58	1.73
	0.7	0	6.22	1.66	6.19	1.69	6.15	1.73	6.03	1.68	5.91	1.64	5.66	1.55
	7	6	6.81	1.65	6.48	1.58	6.15	1.50	6.03	1.46	5.91	1.43	5.66	1.35
	11.2	10	6.81	1.51	6.48	1.44	6.15	1.38	6.03	1.34	5.91	1.31	5.66	1.24
	16.3	15	6.81	1.34	6.48	1.28	6.15	1.22	6.03	1.19	5.91	1.16	5.66	1.10
7 + 9 + 1 ₂	-13.7	-15	4.68	1.47	4.65	1.50	4.62	1.53	4.60	1.55	4.59	1.56	4.56	1.59
	-9.5	-10	5.20	1.53	5.16	1.56	5.13	1.59	5.11	1.61	5.10	1.63	5.07	1.66
	-4.4	-5	5.71	1.59	5.68	1.63	5.64	1.66	5.63	1.68	5.61	1.69	5.58	1.73
	0.7	0	6.22	1.66	6.19	1.69	6.15	1.73	6.03	1.68	5.91	1.64	5.66	1.55
	7	6	6.81	1.65	6.48	1.58	6.15	1.50	6.03	1.46	5.91	1.43	5.66	1.35
	11.2	10	6.81	1.51	6.48	1.44	6.15	1.38	6.03	1.34	5.91	1.31	5.66	1.24
9 + 9 + 1 ₂	16.3	15	6.81	1.34	6.48	1.28	6.15	1.22	6.03	1.19	5.91	1.16	5.66	1.10
	-13.7	-15	4.68	1.47	4.65	1.50	4.62	1.53	4.60	1.55	4.59	1.56	4.56	1.59
	-9.5	-10	5.20	1.53	5.16	1.56	5.13	1.59	5.11	1.61	5.10	1.63	5.07	1.66
	-4.4	-5	5.71	1.59	5.68	1.63	5.64	1.66	5.63	1.68	5.61	1.69	5.58	1.73
	0.7	0	6.22	1.66	6.19	1.69	6.15	1.73	6.03	1.68	5.91	1.64	5.66	1.55
	7	6	6.81	1.65	6.48	1.58	6.15	1.50	6.03	1.46	5.91	1.43	5.66	1.35
7 + 12 + 1 ₂	11.2	10	6.81	1.51	6.48	1.44	6.15	1.38	6.03	1.34	5.91	1.31	5.66	1.24
	16.3	15	6.81	1.34	6.48	1.28	6.15	1.22	6.03	1.19	5.91	1.16	5.66	1.10
	-13.7	-15	4.68	1.47	4.65	1.50	4.62	1.53	4.60	1.55	4.59	1.56	4.56	1.59
	-9.5	-10	5.20	1.53	5.16	1.56	5.13	1.59	5.11	1.61	5.10	1.63	5.07	1.66
	-4.4	-5	5.71	1.59	5.68	1.63	5.64	1.66	5.63	1.68	5.61	1.69	5.58	1.73
	0.7	0	6.22	1.66	6.19	1.69	6.15	1.73	6.03	1.68	5.91	1.64	5.66	1.55
7 + 7 + 1 ₈	7	6	6.81	1.65	6.48	1.58	6.15	1.50	6.03	1.46	5.91	1.43	5.66	1.35
	11.2	10	6.81	1.51	6.48	1.44	6.15	1.38	6.03	1.34	5.91	1.31	5.66	1.24
	16.3	15	6.81	1.34	6.48	1.28	6.15	1.22	6.03	1.19	5.91	1.16	5.66	1.10
	-13.7	-15	4.68	1.47	4.65	1.50	4.62	1.53	4.60	1.55	4.59	1.56	4.56	1.59
	-9.5	-10	5.20	1.53	5.16	1.56	5.13	1.59	5.11	1.61	5.10	1.63	5.07	1.66
	-4.4	-5	5.71	1.59	5.68	1.63	5.64	1.66	5.63	1.68	5.61	1.69	5.58	1.73
9 + 12 + 1 ₂	0.7	0	6.22	1.66	6.19	1.69	6.15	1.73	6.03	1.68	5.91	1.64	5.66	1.55
	7	6	6.81	1.65	6.48	1.58	6.15	1.50	6.03	1.46	5.91	1.43	5.66	1.35
	11.2	10	6.81	1.51	6.48	1.44	6.15	1.38	6.03	1.34	5.91	1.31	5.66	1.24
	16.3	15	6.81	1.34	6.48	1.28	6.15	1.22	6.03	1.19	5.91	1.16	5.66	1.10
	-13.7	-15	4.68	1.47	4.65	1.50	4.62	1.53	4.60	1.55	4.59	1.56	4.56	1.59
	-9.5	-10	5.20	1.53	5.16	1.56	5.13	1.59	5.11	1.61	5.10	1.63	5.07	1.66
	-4.4	-5	5.71	1.59	5.68	1.63	5.64	1.66	5.63	1.68	5.61	1.69	5.58	1.73

Note

- 조합비 : 조합비(%), 능력 : 전체 능력(Total Capacity, kW), 소전 : 소비 전력(Power Input : 압축기부 + 송풍기 모터부, kW)
- 상기에 표기된 값은 실내/외 온도변화에 따른 정격 대표값으로 볼 수 있으며, 실제 냉/난방 운전 시에는 설치 조건 및 주변 환경에 따라 달라질 수 있습니다.

7. Capacity Tables

Z3UW24GFB1

Combi.	Outdoor Air Temp.		Indoor Air Temp. (°C, DB)											
			16.0		18.0		20.0		21.0		22.0		24.0	
	(°C, DB)	(°C, WB)	TC	PI	TC	PI	TC	PI	TC	PI	TC	PI	TC	PI
7 + 7	-13.7	-15	5.00	1.56	4.76	1.51	4.51	1.46	4.42	1.44	4.33	1.42	4.15	1.37
	-9.5	-10	5.00	1.44	4.76	1.39	4.51	1.34	4.42	1.32	4.33	1.30	4.15	1.25
	-4.4	-5	5.00	1.32	4.76	1.27	4.51	1.22	4.42	1.20	4.33	1.18	4.15	1.13
	0.7	0	5.00	1.20	4.76	1.15	4.51	1.10	4.42	1.08	4.33	1.06	4.15	1.01
	7	6	5.00	1.06	4.76	1.01	4.51	0.96	4.42	0.94	4.33	0.91	4.15	0.86
	11.2	10	5.00	0.97	4.76	0.92	4.51	0.88	4.42	0.86	4.33	0.84	4.15	0.79
	16.3	15	5.00	0.86	4.76	0.82	4.51	0.78	4.42	0.76	4.33	0.74	4.15	0.70
7 + 9	-13.7	-15	5.53	1.78	5.43	1.82	5.16	1.78	5.06	1.76	4.95	1.73	4.75	1.67
	-9.5	-10	5.71	1.76	5.43	1.70	5.16	1.64	5.06	1.61	4.95	1.58	4.75	1.52
	-4.4	-5	5.71	1.61	5.43	1.55	5.16	1.49	5.06	1.46	4.95	1.43	4.75	1.37
	0.7	0	5.71	1.46	5.43	1.40	5.16	1.35	5.06	1.32	4.95	1.29	4.75	1.23
	7	6	5.71	1.29	5.43	1.23	5.16	1.17	5.06	1.14	4.95	1.11	4.75	1.05
	11.2	10	5.71	1.18	5.43	1.13	5.16	1.07	5.06	1.05	4.95	1.02	4.75	0.97
	16.3	15	5.71	1.05	5.43	1.00	5.16	0.95	5.06	0.93	4.95	0.90	4.75	0.86
9 + 9	-13.7	-15	5.58	1.79	5.54	1.83	5.50	1.87	5.48	1.89	5.46	1.91	5.34	1.95
	-9.5	-10	6.19	1.87	6.11	1.91	5.80	1.95	5.69	1.91	5.57	1.88	5.34	1.81
	-4.4	-5	6.42	1.91	6.11	1.84	5.80	1.77	5.69	1.74	5.57	1.70	5.34	1.63
	0.7	0	6.42	1.74	6.11	1.67	5.80	1.60	5.69	1.56	5.57	1.53	5.34	1.46
	7	6	6.42	1.53	6.11	1.46	5.80	1.39	5.69	1.36	5.57	1.32	5.34	1.25
	11.2	10	6.42	1.40	6.11	1.34	5.80	1.27	5.69	1.24	5.57	1.21	5.34	1.15
	16.3	15	6.42	1.24	6.11	1.19	5.80	1.13	5.69	1.10	5.57	1.07	5.34	1.02
7 + 12	-13.7	-15	5.60	1.80	5.56	1.84	5.52	1.88	5.50	1.90	5.49	1.92	5.45	1.96
	-9.5	-10	6.22	1.88	6.18	1.92	6.13	1.96	6.00	1.98	5.88	2.00	5.64	1.96
	-4.4	-5	6.78	1.96	6.45	2.00	6.13	1.93	6.00	1.89	5.88	1.85	5.64	1.77
	0.7	0	6.78	1.89	6.45	1.81	6.13	1.74	6.00	1.70	5.88	1.66	5.64	1.59
	7	6	6.78	1.66	6.45	1.59	6.13	1.51	6.00	1.47	5.88	1.43	5.64	1.36
	11.2	10	6.78	1.52	6.45	1.45	6.13	1.38	6.00	1.35	5.88	1.32	5.64	1.25
	16.3	15	6.78	1.35	6.45	1.29	6.13	1.23	6.00	1.20	5.88	1.17	5.64	1.10
9 + 12	-13.7	-15	5.65	1.82	5.61	1.86	5.57	1.90	5.55	1.92	5.53	1.94	5.50	1.98
	-9.5	-10	6.27	1.90	6.23	1.94	6.19	1.98	6.17	2.00	6.15	2.02	6.12	2.06
	-4.4	-5	6.89	1.98	6.85	2.02	6.77	2.06	6.63	2.08	6.50	2.10	6.23	2.08
	0.7	0	7.49	2.06	7.13	2.10	6.77	2.04	6.63	1.99	6.50	1.95	6.23	1.86
	7	6	7.49	1.95	7.13	1.86	6.77	1.77	6.63	1.73	6.50	1.68	6.23	1.59
	11.2	10	7.49	1.79	7.13	1.70	6.77	1.62	6.63	1.58	6.50	1.54	6.23	1.46
	16.3	15	7.49	1.58	7.13	1.51	6.77	1.44	6.63	1.40	6.50	1.37	6.23	1.29
12 + 12	-13.7	-15	5.71	2.05	5.67	2.10	5.63	2.14	5.61	2.16	5.59	2.19	5.56	2.23
	-9.5	-10	6.33	2.14	6.29	2.19	6.25	2.23	6.23	2.26	6.22	2.28	6.18	2.32
	-4.4	-5	6.96	2.23	6.92	2.28	6.88	2.32	6.86	2.35	6.84	2.37	6.81	2.42
	0.7	0	7.58	2.32	7.54	2.37	7.50	2.42	7.35	2.35	7.20	2.29	6.90	2.17
	7	6	8.31	2.31	7.90	2.21	7.50	2.10	7.35	2.05	7.20	2.00	6.90	1.89
	11.2	10	8.31	2.12	7.90	2.02	7.50	1.93	7.35	1.88	7.20	1.83	6.90	1.73
	16.3	15	8.31	1.88	7.90	1.79	7.50	1.71	7.35	1.66	7.20	1.62	6.90	1.54
7 + 18	-13.7	-15	5.71	1.99	5.67	2.04	5.63	2.08	5.61	2.10	5.59	2.12	5.56	2.17
	-9.5	-10	6.33	2.08	6.29	2.12	6.25	2.17	6.23	2.19	6.22	2.21	6.18	2.26
	-4.4	-5	6.96	2.17	6.92	2.21	6.88	2.26	6.86	2.28	6.84	2.30	6.81	2.35
	0.7	0	7.58	2.26	7.54	2.30	7.50	2.35	7.35	2.29	7.20	2.23	6.90	2.11

7. Capacity Tables

Combi.	Outdoor Air Temp.		Indoor Air Temp. (°C, DB)											
			16.0		18.0		20.0		21.0		22.0		24.0	
	(°C, DB)	(°C, WB)	TC	PI	TC	PI	TC	PI	TC	PI	TC	PI	TC	PI
7 + 18	7	6	8.31	2.24	7.90	2.14	7.50	2.04	7.35	1.99	7.20	1.94	6.90	1.84
	11.2	10	8.31	2.06	7.90	1.96	7.50	1.87	7.35	1.82	7.20	1.78	6.90	1.68
	16.3	15	8.31	1.82	7.90	1.74	7.50	1.66	7.35	1.62	7.20	1.57	6.90	1.49
9 + 18	-13.7	-15	5.71	1.98	5.67	2.03	5.63	2.07	5.61	2.09	5.59	2.11	5.56	2.16
	-9.5	-10	6.33	2.07	6.29	2.11	6.25	2.16	6.23	2.18	6.22	2.20	6.18	2.25
	-4.4	-5	6.96	2.16	6.92	2.20	6.88	2.25	6.86	2.27	6.84	2.29	6.81	2.33
	0.7	0	7.58	2.25	7.54	2.29	7.50	2.33	7.35	2.28	7.20	2.22	6.90	2.10
	7	6	8.31	2.23	7.90	2.13	7.50	2.03	7.35	1.98	7.20	1.93	6.90	1.83
	11.2	10	8.31	2.05	7.90	1.95	7.50	1.86	7.35	1.81	7.20	1.77	6.90	1.68
12 + 18	-13.7	-15	5.71	1.97	5.67	2.02	5.63	2.06	5.61	2.08	5.59	2.10	5.56	2.15
	-9.5	-10	6.33	2.06	6.29	2.10	6.25	2.15	6.23	2.17	6.22	2.19	6.18	2.24
	-4.4	-5	6.96	2.15	6.92	2.19	6.88	2.24	6.86	2.26	6.84	2.28	6.81	2.32
	0.7	0	7.58	2.24	7.54	2.28	7.50	2.32	7.35	2.27	7.20	2.21	6.90	2.09
	7	6	8.31	2.22	7.90	2.12	7.50	2.02	7.35	1.97	7.20	1.92	6.90	1.82
	11.2	10	8.31	2.04	7.90	1.94	7.50	1.85	7.35	1.81	7.20	1.76	6.90	1.67
7 + 24	-13.7	-15	5.71	1.96	5.67	2.01	5.63	2.05	5.61	2.07	5.59	2.09	5.56	2.14
	-9.5	-10	6.33	2.05	6.29	2.09	6.25	2.14	6.23	2.16	6.22	2.18	6.18	2.22
	-4.4	-5	6.96	2.14	6.92	2.18	6.88	2.22	6.86	2.25	6.84	2.27	6.81	2.31
	0.7	0	7.58	2.22	7.54	2.27	7.50	2.31	7.35	2.25	7.20	2.20	6.90	2.08
	7	6	8.31	2.21	7.90	2.11	7.50	2.01	7.35	1.96	7.20	1.91	6.90	1.81
	11.2	10	8.31	2.03	7.90	1.93	7.50	1.84	7.35	1.80	7.20	1.75	6.90	1.66
9 + 24	-13.7	-15	5.71	1.95	5.67	2.00	5.63	2.04	5.61	2.06	5.59	2.08	5.56	2.13
	-9.5	-10	6.33	2.04	6.29	2.08	6.25	2.13	6.23	2.15	6.22	2.17	6.18	2.21
	-4.4	-5	6.96	2.13	6.92	2.17	6.88	2.21	6.86	2.24	6.84	2.26	6.81	2.30
	0.7	0	7.58	2.21	7.54	2.26	7.50	2.30	7.35	2.24	7.20	2.19	6.90	2.07
	7	6	8.31	2.20	7.90	2.10	7.50	2.00	7.35	1.95	7.20	1.90	6.90	1.80
	11.2	10	8.31	2.02	7.90	1.93	7.50	1.83	7.35	1.79	7.20	1.74	6.90	1.65
12 + 24	-13.7	-15	5.71	1.94	5.67	1.99	5.63	2.03	5.61	2.05	5.59	2.07	5.56	2.12
	-9.5	-10	6.33	2.03	6.29	2.07	6.25	2.12	6.23	2.14	6.22	2.16	6.18	2.20
	-4.4	-5	6.96	2.12	6.92	2.16	6.88	2.20	6.86	2.22	6.84	2.25	6.81	2.29
	0.7	0	7.58	2.20	7.54	2.25	7.50	2.29	7.35	2.23	7.20	2.17	6.90	2.06
	7	6	8.31	2.19	7.90	2.09	7.50	1.99	7.35	1.94	7.20	1.89	6.90	1.79
	11.2	10	8.31	2.01	7.90	1.92	7.50	1.82	7.35	1.78	7.20	1.73	6.90	1.64
18 + 18	-13.7	-15	5.71	1.88	5.67	1.93	5.63	1.97	5.61	1.99	5.59	2.01	5.56	2.05
	-9.5	-10	6.33	1.97	6.29	2.01	6.25	2.05	6.23	2.07	6.22	2.09	6.18	2.14
	-4.4	-5	6.96	2.05	6.92	2.09	6.88	2.14	6.86	2.16	6.84	2.18	6.81	2.22
	0.7	0	7.58	2.14	7.54	2.18	7.50	2.22	7.35	2.16	7.20	2.11	6.90	2.00
	7	6	8.31	2.12	7.90	2.03	7.50	1.93	7.35	1.88	7.20	1.83	6.90	1.74
	11.2	10	8.31	1.95	7.90	1.86	7.50	1.77	7.35	1.73	7.20	1.68	6.90	1.59
7 + 7 + 7	-13.7	-15	5.65	1.82	5.61	1.86	5.57	1.90	5.55	1.92	5.53	1.94	5.50	1.98
	-9.5	-10	6.27	1.90	6.23	1.94	6.19	1.98	6.17	2.00	6.15	2.02	6.12	2.06

7. Capacity Tables

Combi.	Outdoor Air Temp.		Indoor Air Temp. (°C, DB)											
			16.0		18.0		20.0		21.0		22.0		24.0	
	(°C, DB)	(°C, WB)	TC	PI	TC	PI	TC	PI	TC	PI	TC	PI	TC	PI
7 + 7 + 7	-4.4	-5	6.89	1.98	6.85	2.02	6.77	2.05	6.63	2.01	6.50	1.97	6.23	1.89
	0.7	0	7.49	2.01	7.13	1.93	6.77	1.85	6.63	1.81	6.50	1.77	6.23	1.69
	7	6	7.49	1.77	7.13	1.69	6.77	1.61	6.63	1.57	6.50	1.53	6.23	1.45
	11.2	10	7.49	1.62	7.13	1.55	6.77	1.48	6.63	1.44	6.50	1.40	6.23	1.33
	16.3	15	7.49	1.44	7.13	1.37	6.77	1.31	6.63	1.28	6.50	1.24	6.23	1.18
7 + 7 + 9	-13.7	-15	5.70	1.83	5.66	1.87	5.62	1.92	5.60	1.94	5.58	1.96	5.55	2.00
	-9.5	-10	6.32	1.92	6.28	1.96	6.24	2.00	6.22	2.02	6.21	2.04	6.17	2.08
	-4.4	-5	6.95	2.00	6.91	2.04	6.87	2.08	6.85	2.10	6.83	2.12	6.80	2.16
	0.7	0	7.57	2.08	7.53	2.12	7.42	2.13	7.27	2.08	7.12	2.04	6.82	1.94
	7	6	8.21	2.04	7.81	1.94	7.42	1.85	7.27	1.80	7.12	1.76	6.82	1.67
	11.2	10	8.21	1.87	7.81	1.78	7.42	1.70	7.27	1.65	7.12	1.61	6.82	1.53
	16.3	15	8.21	1.65	7.81	1.58	7.42	1.50	7.27	1.47	7.12	1.43	6.82	1.35
7 + 9 + 9	-13.7	-15	5.71	1.84	5.67	1.88	5.63	1.92	5.61	1.94	5.59	1.96	5.56	2.00
	-9.5	-10	6.33	1.92	6.29	1.96	6.25	2.00	6.23	2.02	6.22	2.04	6.18	2.08
	-4.4	-5	6.96	2.00	6.92	2.04	6.88	2.08	6.86	2.10	6.84	2.12	6.81	2.16
	0.7	0	7.58	2.08	7.54	2.12	7.50	2.16	7.35	2.11	7.20	2.05	6.90	1.95
	7	6	8.31	2.07	7.90	1.97	7.50	1.88	7.35	1.83	7.20	1.79	6.90	1.69
	11.2	10	8.31	1.90	7.90	1.81	7.50	1.72	7.35	1.68	7.20	1.64	6.90	1.55
	16.3	15	8.31	1.68	7.90	1.60	7.50	1.53	7.35	1.49	7.20	1.45	6.90	1.37
7 + 7 + 1 2	-13.7	-15	5.71	1.84	5.67	1.88	5.63	1.92	5.61	1.94	5.59	1.96	5.56	2.00
	-9.5	-10	6.33	1.92	6.29	1.96	6.25	2.00	6.23	2.02	6.22	2.04	6.18	2.08
	-4.4	-5	6.96	2.00	6.92	2.04	6.88	2.08	6.86	2.10	6.84	2.12	6.81	2.16
	0.7	0	7.58	2.08	7.54	2.12	7.50	2.16	7.35	2.11	7.20	2.05	6.90	1.95
	7	6	8.31	2.07	7.90	1.97	7.50	1.88	7.35	1.83	7.20	1.79	6.90	1.69
	11.2	10	8.31	1.90	7.90	1.81	7.50	1.72	7.35	1.68	7.20	1.64	6.90	1.55
	16.3	15	8.31	1.68	7.90	1.60	7.50	1.53	7.35	1.49	7.20	1.45	6.90	1.37
9 + 9 + 9	-13.7	-15	5.71	1.84	5.67	1.88	5.63	1.92	5.61	1.94	5.59	1.96	5.56	2.00
	-9.5	-10	6.33	1.92	6.29	1.96	6.25	2.00	6.23	2.02	6.22	2.04	6.18	2.08
	-4.4	-5	6.96	2.00	6.92	2.04	6.88	2.08	6.86	2.10	6.84	2.12	6.81	2.16
	0.7	0	7.58	2.08	7.54	2.12	7.50	2.16	7.35	2.11	7.20	2.05	6.90	1.95
	7	6	8.31	2.07	7.90	1.97	7.50	1.88	7.35	1.83	7.20	1.79	6.90	1.69
	11.2	10	8.31	1.90	7.90	1.81	7.50	1.72	7.35	1.68	7.20	1.64	6.90	1.55
	16.3	15	8.31	1.68	7.90	1.60	7.50	1.53	7.35	1.49	7.20	1.45	6.90	1.37
7 + 9 + 1 2	-13.7	-15	5.71	1.83	5.67	1.87	5.63	1.91	5.61	1.93	5.59	1.95	5.56	1.99
	-9.5	-10	6.33	1.91	6.29	1.95	6.25	1.99	6.23	2.01	6.22	2.03	6.18	2.07
	-4.4	-5	6.96	1.99	6.92	2.03	6.88	2.07	6.86	2.09	6.84	2.11	6.81	2.15
	0.7	0	7.58	2.07	7.54	2.11	7.50	2.15	7.35	2.10	7.20	2.04	6.90	1.94
	7	6	8.31	2.06	7.90	1.96	7.50	1.87	7.35	1.82	7.20	1.78	6.90	1.68
	11.2	10	8.31	1.89	7.90	1.80	7.50	1.71	7.35	1.67	7.20	1.63	6.90	1.54
	16.3	15	8.31	1.67	7.90	1.60	7.50	1.52	7.35	1.48	7.20	1.44	6.90	1.37
9 + 9 + 1 2	-13.7	-15	5.71	1.82	5.67	1.86	5.63	1.90	5.61	1.92	5.59	1.94	5.56	1.98
	-9.5	-10	6.33	1.90	6.29	1.94	6.25	1.98	6.23	2.00	6.22	2.02	6.18	2.06
	-4.4	-5	6.96	1.98	6.92	2.02	6.88	2.06	6.86	2.08	6.84	2.10	6.81	2.14
	0.7	0	7.58	2.06	7.54	2.10	7.50	2.14	7.35	2.09	7.20	2.03	6.90	1.93
	7	6	8.31	2.05	7.90	1.95	7.50	1.86	7.35	1.81	7.20	1.77	6.90	1.67
	11.2	10	8.31	1.88	7.90	1.79	7.50	1.71	7.35	1.66	7.20	1.62	6.90	1.53
	16.3	15	8.31	1.66	7.90	1.59	7.50	1.51	7.35	1.47	7.20	1.44	6.90	1.36

7. Capacity Tables

Combi.	Outdoor Air Temp.		Indoor Air Temp. (°C, DB)											
			16.0		18.0		20.0		21.0		22.0		24.0	
	(°C, DB)	(°C, WB)	TC	PI	TC	PI	TC	PI	TC	PI	TC	PI	TC	PI
7 + 12 + 12	-13.7	-15	5.71	1.82	5.67	1.86	5.63	1.90	5.61	1.92	5.59	1.94	5.56	1.98
	-9.5	-10	6.33	1.90	6.29	1.94	6.25	1.98	6.23	2.00	6.22	2.02	6.18	2.06
	-4.4	-5	6.96	1.98	6.92	2.02	6.88	2.06	6.86	2.08	6.84	2.10	6.81	2.14
	0.7	0	7.58	2.06	7.54	2.10	7.50	2.14	7.35	2.09	7.20	2.03	6.90	1.93
	7	6	8.31	2.05	7.90	1.95	7.50	1.86	7.35	1.81	7.20	1.77	6.90	1.67
	11.2	10	8.31	1.88	7.90	1.79	7.50	1.71	7.35	1.66	7.20	1.62	6.90	1.53
	16.3	15	8.31	1.66	7.90	1.59	7.50	1.51	7.35	1.47	7.20	1.44	6.90	1.36
7 + 7 + 18	-13.7	-15	5.71	1.78	5.67	1.82	5.63	1.86	5.61	1.88	5.59	1.90	5.56	1.94
	-9.5	-10	6.33	1.86	6.29	1.90	6.25	1.94	6.23	1.95	6.22	1.97	6.18	2.01
	-4.4	-5	6.96	1.94	6.92	1.97	6.88	2.01	6.86	2.03	6.84	2.05	6.81	2.09
	0.7	0	7.58	2.01	7.54	2.05	7.50	2.09	7.35	2.04	7.20	1.99	6.90	1.88
	7	6	8.31	2.00	7.90	1.91	7.50	1.82	7.35	1.77	7.20	1.73	6.90	1.64
	11.2	10	8.31	1.84	7.90	1.75	7.50	1.67	7.35	1.63	7.20	1.59	6.90	1.50
	16.3	15	8.31	1.63	7.90	1.55	7.50	1.48	7.35	1.44	7.20	1.40	6.90	1.33
9 + 12 + 12	-13.7	-15	5.71	1.81	5.67	1.85	5.63	1.89	5.61	1.91	5.59	1.93	5.56	1.97
	-9.5	-10	6.33	1.89	6.29	1.93	6.25	1.97	6.23	1.99	6.22	2.01	6.18	2.05
	-4.4	-5	6.96	1.97	6.92	2.01	6.88	2.05	6.86	2.07	6.84	2.09	6.81	2.13
	0.7	0	7.58	2.05	7.54	2.09	7.50	2.13	7.35	2.07	7.20	2.02	6.90	1.92
	7	6	8.31	2.04	7.90	1.94	7.50	1.85	7.35	1.80	7.20	1.76	6.90	1.67
	11.2	10	8.31	1.87	7.90	1.78	7.50	1.70	7.35	1.65	7.20	1.61	6.90	1.53
	16.3	15	8.31	1.65	7.90	1.58	7.50	1.50	7.35	1.47	7.20	1.43	6.90	1.35
7 + 9 + 18	-13.7	-15	5.71	1.77	5.67	1.81	5.63	1.85	5.61	1.87	5.59	1.89	5.56	1.92
	-9.5	-10	6.33	1.85	6.29	1.89	6.25	1.92	6.23	1.94	6.22	1.96	6.18	2.00
	-4.4	-5	6.96	1.92	6.92	1.96	6.88	2.00	6.86	2.02	6.84	2.04	6.81	2.08
	0.7	0	7.58	2.00	7.54	2.04	7.50	2.08	7.35	2.03	7.20	1.98	6.90	1.87
	7	6	8.31	1.99	7.90	1.90	7.50	1.81	7.35	1.76	7.20	1.72	6.90	1.63
	11.2	10	8.31	1.83	7.90	1.74	7.50	1.66	7.35	1.62	7.20	1.58	6.90	1.49
	16.3	15	8.31	1.62	7.90	1.54	7.50	1.47	7.35	1.43	7.20	1.40	6.90	1.32
9 + 9 + 18	-13.7	-15	5.71	1.77	5.67	1.81	5.63	1.85	5.61	1.87	5.59	1.89	5.56	1.92
	-9.5	-10	6.33	1.85	6.29	1.89	6.25	1.92	6.23	1.94	6.22	1.96	6.18	2.00
	-4.4	-5	6.96	1.92	6.92	1.96	6.88	2.00	6.86	2.02	6.84	2.04	6.81	2.08
	0.7	0	7.58	2.00	7.54	2.04	7.50	2.08	7.35	2.03	7.20	1.98	6.90	1.87
	7	6	8.31	1.99	7.90	1.90	7.50	1.81	7.35	1.76	7.20	1.72	6.90	1.63
	11.2	10	8.31	1.83	7.90	1.74	7.50	1.66	7.35	1.62	7.20	1.58	6.90	1.49
	16.3	15	8.31	1.62	7.90	1.54	7.50	1.47	7.35	1.43	7.20	1.40	6.90	1.32
12 + 12 + 12	-13.7	-15	5.71	1.80	5.67	1.84	5.63	1.88	5.61	1.90	5.59	1.92	5.56	1.96
	-9.5	-10	6.33	1.88	6.29	1.92	6.25	1.96	6.23	1.98	6.22	2.00	6.18	2.04
	-4.4	-5	6.96	1.96	6.92	2.00	6.88	2.04	6.86	2.06	6.84	2.08	6.81	2.12
	0.7	0	7.58	2.04	7.54	2.08	7.50	2.12	7.35	2.06	7.20	2.01	6.90	1.90
	7	6	8.31	2.02	7.90	1.93	7.50	1.84	7.35	1.79	7.20	1.75	6.90	1.66
	11.2	10	8.31	1.86	7.90	1.77	7.50	1.69	7.35	1.64	7.20	1.60	6.90	1.52
	16.3	15	8.31	1.65	7.90	1.57	7.50	1.50	7.35	1.46	7.20	1.42	6.90	1.35
7 + 12 + 18	-13.7	-15	5.71	1.76	5.67	1.80	5.63	1.84	5.61	1.86	5.59	1.87	5.56	1.91
	-9.5	-10	6.33	1.84	6.29	1.87	6.25	1.91	6.23	1.93	6.22	1.95	6.18	1.99
	-4.4	-5	6.96	1.91	6.92	1.95	6.88	1.99	6.86	2.01	6.84	2.03	6.81	2.07
	0.7	0	7.58	1.99	7.54	2.03	7.50	2.07	7.35	2.02	7.20	1.97	6.90	1.86
	7	6	8.31	1.98	7.90	1.89	7.50	1.80	7.35	1.76	7.20	1.71	6.90	1.62

7. Capacity Tables

Combi.	Outdoor Air Temp.		Indoor Air Temp. (°C, DB)											
			16.0		18.0		20.0		21.0		22.0		24.0	
	(°C, DB)	(°C, WB)	TC	PI	TC	PI	TC	PI	TC	PI	TC	PI	TC	PI
7 + 12 + 18	11.2	10	8.31	1.82	7.90	1.73	7.50	1.65	7.35	1.61	7.20	1.57	6.90	1.49
	16.3	15	8.31	1.61	7.90	1.54	7.50	1.46	7.35	1.43	7.20	1.39	6.90	1.32
7 + 7 + 2 4	-13.7	-15	5.71	1.76	5.67	1.80	5.63	1.84	5.61	1.86	5.59	1.87	5.56	1.91
	-9.5	-10	6.33	1.84	6.29	1.87	6.25	1.91	6.23	1.93	6.22	1.95	6.18	1.99
	-4.4	-5	6.96	1.91	6.92	1.95	6.88	1.99	6.86	2.01	6.84	2.03	6.81	2.07
	0.7	0	7.58	1.99	7.54	2.03	7.50	2.07	7.35	2.02	7.20	1.97	6.90	1.86
	7	6	8.31	1.98	7.90	1.89	7.50	1.80	7.35	1.76	7.20	1.71	6.90	1.62
	11.2	10	8.31	1.82	7.90	1.73	7.50	1.65	7.35	1.61	7.20	1.57	6.90	1.49
	16.3	15	8.31	1.61	7.90	1.54	7.50	1.46	7.35	1.43	7.20	1.39	6.90	1.32
9 + 12 + 18	-13.7	-15	5.71	1.75	5.67	1.79	5.63	1.83	5.61	1.85	5.59	1.86	5.56	1.90
	-9.5	-10	6.33	1.83	6.29	1.86	6.25	1.90	6.23	1.92	6.22	1.94	6.18	1.98
	-4.4	-5	6.96	1.90	6.92	1.94	6.88	1.98	6.86	2.00	6.84	2.02	6.81	2.06
	0.7	0	7.58	1.98	7.54	2.02	7.50	2.06	7.35	2.01	7.20	1.96	6.90	1.85
	7	6	8.31	1.97	7.90	1.88	7.50	1.79	7.35	1.75	7.20	1.70	6.90	1.61
	11.2	10	8.31	1.81	7.90	1.72	7.50	1.64	7.35	1.60	7.20	1.56	6.90	1.48
	16.3	15	8.31	1.60	7.90	1.53	7.50	1.45	7.35	1.42	7.20	1.38	6.90	1.31

Note

- DB : Dry bulb temperature(°C), WB : Wet bulb temperature(°C)
- TC : Total capacity(kW)
- PI : Power Input (kW, Compressor + indoor fan motor + outdoor fan motor)
- All capacities are net. A deduction (cooling mode) or an addition (heating mode) of Capacity due to operating heat of indoor unit motor is reflected.
- Capacities are based on the following conditions :
 - Interconnecting Piping Length (Both Main pipe and Branch pipe) is standard length.
 - Difference of Elevation (Outdoor ~ Indoor Unit) is 0 m.
- Direct interpolation is permissible. Do not extrapolate.
- Rated capacities and power inputs are based on standard temperature and piping conditions, and it can be found on specifications table. Except for rated value, the performance is not guaranteed.
- In accordance with the test standard(or nations) and indoor unit's combinations, the rating will vary slightly.

7. Capacity Tables

Z4UW30GFB1

Combi.	Outdoor Air Temp.		Indoor Air Temp. (°C, DB)											
			16.0		18.0		20.0		21.0		22.0		24.0	
	(°C, DB)	(°C, WB)	TC	PI	TC	PI	TC	PI	TC	PI	TC	PI	TC	PI
7 + 7	-13.7	-15	5.00	1.40	4.76	1.35	4.51	1.31	4.42	1.29	4.33	1.27	4.15	1.23
	-9.5	-10	5.00	1.29	4.76	1.25	4.51	1.20	4.42	1.18	4.33	1.16	4.15	1.12
	-4.4	-5	5.00	1.18	4.76	1.14	4.51	1.10	4.42	1.08	4.33	1.05	4.15	1.01
	0.7	0	5.00	1.08	4.76	1.03	4.51	0.99	4.42	0.97	4.33	0.95	4.15	0.90
	7	6	5.00	0.95	4.76	0.90	4.51	0.86	4.42	0.84	4.33	0.82	4.15	0.77
	11.2	10	5.00	0.87	4.76	0.83	4.51	0.79	4.42	0.77	4.33	0.75	4.15	0.71
	16.3	15	5.00	0.77	4.76	0.73	4.51	0.70	4.42	0.68	4.33	0.66	4.15	0.63
7 + 9	-13.7	-15	5.71	1.69	5.43	1.64	5.16	1.59	5.06	1.56	4.95	1.53	4.75	1.48
	-9.5	-10	5.71	1.56	5.43	1.51	5.16	1.46	5.06	1.43	4.95	1.40	4.75	1.35
	-4.4	-5	5.71	1.43	5.43	1.38	5.16	1.33	5.06	1.30	4.95	1.27	4.75	1.22
	0.7	0	5.71	1.30	5.43	1.25	5.16	1.20	5.06	1.17	4.95	1.14	4.75	1.09
	7	6	5.71	1.14	5.43	1.09	5.16	1.04	5.06	1.01	4.95	0.99	4.75	0.94
	11.2	10	5.71	1.05	5.43	1.00	5.16	0.95	5.06	0.93	4.95	0.91	4.75	0.86
	16.3	15	5.71	0.93	5.43	0.89	5.16	0.85	5.06	0.82	4.95	0.80	4.75	0.76
9 + 9	-13.7	-15	6.42	2.03	6.11	1.97	5.80	1.91	5.69	1.88	5.57	1.84	5.34	1.78
	-9.5	-10	6.42	1.88	6.11	1.81	5.80	1.75	5.69	1.72	5.57	1.69	5.34	1.63
	-4.4	-5	6.42	1.72	6.11	1.66	5.80	1.59	5.69	1.56	5.57	1.53	5.34	1.47
	0.7	0	6.42	1.56	6.11	1.50	5.80	1.44	5.69	1.41	5.57	1.38	5.34	1.31
	7	6	6.42	1.38	6.11	1.31	5.80	1.25	5.69	1.22	5.57	1.19	5.34	1.13
	11.2	10	6.42	1.26	6.11	1.20	5.80	1.15	5.69	1.12	5.57	1.09	5.34	1.03
	16.3	15	6.42	1.12	6.11	1.07	5.80	1.02	5.69	0.99	5.57	0.96	5.34	0.91
7 + 12	-13.7	-15	6.78	2.13	6.45	2.13	6.13	2.06	6.00	2.03	5.88	1.99	5.64	1.92
	-9.5	-10	6.78	2.03	6.45	1.96	6.13	1.89	6.00	1.86	5.88	1.82	5.64	1.76
	-4.4	-5	6.78	1.86	6.45	1.79	6.13	1.72	6.00	1.69	5.88	1.65	5.64	1.59
	0.7	0	6.78	1.69	6.45	1.62	6.13	1.55	6.00	1.52	5.88	1.49	5.64	1.42
	7	6	6.78	1.49	6.45	1.42	6.13	1.35	6.00	1.32	5.88	1.28	5.64	1.22
	11.2	10	6.78	1.36	6.45	1.30	6.13	1.24	6.00	1.21	5.88	1.18	5.64	1.11
	16.3	15	6.78	1.21	6.45	1.15	6.13	1.10	6.00	1.07	5.88	1.04	5.64	0.99
9 + 12	-13.7	-15	6.88	2.15	6.83	2.20	6.77	2.24	6.63	2.27	6.50	2.29	6.23	2.27
	-9.5	-10	7.49	2.24	7.13	2.29	6.77	2.23	6.63	2.19	6.50	2.15	6.23	2.07
	-4.4	-5	7.49	2.19	7.13	2.11	6.77	2.03	6.63	1.99	6.50	1.95	6.23	1.87
	0.7	0	7.49	1.99	7.13	1.91	6.77	1.83	6.63	1.79	6.50	1.75	6.23	1.67
	7	6	7.49	1.75	7.13	1.67	6.77	1.59	6.63	1.55	6.50	1.51	6.23	1.43
	11.2	10	7.49	1.60	7.13	1.53	6.77	1.46	6.63	1.42	6.50	1.38	6.23	1.31
	16.3	15	7.49	1.42	7.13	1.36	6.77	1.29	6.63	1.26	6.50	1.23	6.23	1.16
12 + 12	-13.7	-15	6.95	2.17	6.90	2.22	6.85	2.27	6.83	2.29	6.81	2.31	6.76	2.36
	-9.5	-10	7.71	2.27	7.66	2.31	7.61	2.36	7.58	2.39	7.43	2.41	7.12	2.46
	-4.4	-5	8.47	2.36	8.15	2.41	7.74	2.46	7.58	2.48	7.43	2.43	7.12	2.33
	0.7	0	8.57	2.46	8.15	2.38	7.74	2.28	7.58	2.23	7.43	2.18	7.12	2.08
	7	6	8.57	2.18	8.15	2.08	7.74	1.98	7.58	1.93	7.43	1.88	7.12	1.78
	11.2	10	8.57	2.00	8.15	1.91	7.74	1.82	7.58	1.77	7.43	1.72	7.12	1.63
	16.3	15	8.57	1.77	8.15	1.69	7.74	1.61	7.58	1.57	7.43	1.53	7.12	1.45
7 + 18	-13.7	-15	6.97	2.18	6.92	2.23	6.88	2.27	6.85	2.30	6.83	2.32	6.79	2.37
	-9.5	-10	7.74	2.27	7.69	2.32	7.64	2.37	7.62	2.40	7.60	2.42	7.42	2.47
	-4.4	-5	8.50	2.37	8.45	2.42	8.06	2.47	7.90	2.49	7.74	2.52	7.42	2.42
	0.7	0	8.92	2.47	8.49	2.47	8.06	2.37	7.90	2.32	7.74	2.27	7.42	2.16

7. Capacity Tables

Combi.	Outdoor Air Temp.		Indoor Air Temp. (°C, DB)											
			16.0		18.0		20.0		21.0		22.0		24.0	
	(°C, DB)	(°C, WB)	TC	PI	TC	PI	TC	PI	TC	PI	TC	PI	TC	PI
7 + 18	7	6	8.92	2.27	8.49	2.16	8.06	2.06	7.90	2.01	7.74	1.96	7.42	1.85
	11.2	10	8.92	2.08	8.49	1.98	8.06	1.89	7.90	1.84	7.74	1.79	7.42	1.70
	16.3	15	8.92	1.84	8.49	1.76	8.06	1.67	7.90	1.63	7.74	1.59	7.42	1.51
9 + 18	-13.7	-15	7.02	2.30	6.97	2.36	6.92	2.41	6.90	2.43	6.88	2.46	6.83	2.51
	-9.5	-10	7.79	2.41	7.74	2.46	7.69	2.51	7.67	2.54	7.65	2.56	7.60	2.61
	-4.4	-5	8.56	2.51	8.51	2.56	8.46	2.61	8.44	2.64	8.36	2.66	8.01	2.71
	0.7	0	9.33	2.61	9.17	2.66	8.70	2.71	8.53	2.65	8.36	2.58	8.01	2.44
	7	6	9.64	2.60	9.17	2.48	8.70	2.36	8.53	2.30	8.36	2.24	8.01	2.12
	11.2	10	9.64	2.38	9.17	2.27	8.70	2.16	8.53	2.11	8.36	2.06	8.01	1.95
	16.3	15	9.64	2.11	9.17	2.01	8.70	1.92	8.53	1.87	8.36	1.82	8.01	1.73
12 + 18	-13.7	-15	7.07	2.60	7.02	2.66	6.97	2.71	6.95	2.74	6.92	2.77	6.88	2.83
	-9.5	-10	7.84	2.71	7.79	2.77	7.74	2.83	7.72	2.86	7.70	2.89	7.65	2.94
	-4.4	-5	8.62	2.83	8.57	2.89	8.52	2.94	8.49	2.97	8.47	3.00	8.43	3.06
	0.7	0	9.39	2.94	9.34	3.00	9.29	3.06	9.11	2.98	8.92	2.91	8.55	2.75
	7	6	10.29	2.93	9.79	2.79	9.29	2.66	9.11	2.59	8.92	2.53	8.55	2.39
	11.2	10	10.29	2.68	9.79	2.56	9.29	2.44	9.11	2.38	8.92	2.32	8.55	2.19
	16.3	15	10.29	2.38	9.79	2.27	9.29	2.16	9.11	2.11	8.92	2.05	8.55	1.95
7 + 24	-13.7	-15	7.07	2.60	7.02	2.66	6.97	2.71	6.95	2.74	6.92	2.77	6.88	2.83
	-9.5	-10	7.84	2.71	7.79	2.77	7.74	2.83	7.72	2.86	7.70	2.89	7.65	2.94
	-4.4	-5	8.62	2.83	8.57	2.89	8.52	2.94	8.49	2.97	8.47	3.00	8.43	3.06
	0.7	0	9.39	2.94	9.34	3.00	9.29	3.06	9.11	2.98	8.92	2.91	8.55	2.75
	7	6	10.29	2.93	9.79	2.79	9.29	2.66	9.11	2.59	8.92	2.53	8.55	2.39
	11.2	10	10.29	2.68	9.79	2.56	9.29	2.44	9.11	2.38	8.92	2.32	8.55	2.19
	16.3	15	10.29	2.38	9.79	2.27	9.29	2.16	9.11	2.11	8.92	2.05	8.55	1.95
9 + 24	-13.7	-15	7.07	2.59	7.02	2.65	6.97	2.70	6.95	2.73	6.92	2.76	6.88	2.82
	-9.5	-10	7.84	2.70	7.79	2.76	7.74	2.82	7.72	2.85	7.70	2.88	7.65	2.93
	-4.4	-5	8.62	2.82	8.57	2.88	8.52	2.93	8.49	2.96	8.47	2.99	8.43	3.05
	0.7	0	9.39	2.93	9.34	2.99	9.29	3.05	9.11	2.97	8.92	2.90	8.55	2.74
	7	6	10.29	2.92	9.79	2.78	9.29	2.65	9.11	2.58	8.92	2.52	8.55	2.39
	11.2	10	10.29	2.67	9.79	2.55	9.29	2.43	9.11	2.37	8.92	2.31	8.55	2.19
	16.3	15	10.29	2.37	9.79	2.26	9.29	2.15	9.11	2.10	8.92	2.05	8.55	1.94
18 + 18	-13.7	-15	7.07	2.50	7.02	2.56	6.97	2.61	6.95	2.64	6.92	2.67	6.88	2.72
	-9.5	-10	7.84	2.61	7.79	2.67	7.74	2.72	7.72	2.75	7.70	2.78	7.65	2.83
	-4.4	-5	8.62	2.72	8.57	2.78	8.52	2.83	8.49	2.86	8.47	2.89	8.43	2.94
	0.7	0	9.39	2.83	9.34	2.89	9.29	2.94	9.11	2.87	8.92	2.80	8.55	2.65
	7	6	10.29	2.82	9.79	2.69	9.29	2.56	9.11	2.50	8.92	2.43	8.55	2.30
	11.2	10	10.29	2.58	9.79	2.46	9.29	2.35	9.11	2.29	8.92	2.23	8.55	2.11
	16.3	15	10.29	2.29	9.79	2.18	9.29	2.08	9.11	2.03	8.92	1.98	8.55	1.87
12 + 24	-13.7	-15	7.07	2.58	7.02	2.64	6.97	2.69	6.95	2.72	6.92	2.75	6.88	2.81
	-9.5	-10	7.84	2.69	7.79	2.75	7.74	2.81	7.72	2.84	7.70	2.86	7.65	2.92
	-4.4	-5	8.62	2.81	8.57	2.86	8.52	2.92	8.49	2.95	8.47	2.98	8.43	3.04
	0.7	0	9.39	2.92	9.34	2.98	9.29	3.04	9.11	2.96	8.92	2.88	8.55	2.73
	7	6	10.29	2.91	9.79	2.77	9.29	2.64	9.11	2.57	8.92	2.51	8.55	2.38
	11.2	10	10.29	2.66	9.79	2.54	9.29	2.42	9.11	2.36	8.92	2.30	8.55	2.18
	16.3	15	10.29	2.36	9.79	2.25	9.29	2.15	9.11	2.09	8.92	2.04	8.55	1.93
18 + 24	-13.7	-15	7.07	2.47	7.02	2.53	6.97	2.58	6.95	2.61	6.92	2.64	6.88	2.69
	-9.5	-10	7.84	2.58	7.79	2.64	7.74	2.69	7.72	2.72	7.70	2.75	7.65	2.80

7. Capacity Tables

Combi.	Outdoor Air Temp.		Indoor Air Temp. (°C, DB)											
			16.0		18.0		20.0		21.0		22.0		24.0	
	(°C, DB)	(°C, WB)	TC	PI	TC	PI	TC	PI	TC	PI	TC	PI	TC	PI
18 + 24	-4.4	-5	8.62	2.69	8.57	2.75	8.52	2.80	8.49	2.83	8.47	2.85	8.43	2.91
	0.7	0	9.39	2.80	9.34	2.85	9.29	2.91	9.11	2.84	8.92	2.76	8.55	2.62
	7	6	10.29	2.78	9.79	2.66	9.29	2.53	9.11	2.47	8.92	2.40	8.55	2.28
	11.2	10	10.29	2.55	9.79	2.44	9.29	2.32	9.11	2.26	8.92	2.20	8.55	2.09
	16.3	15	10.29	2.26	9.79	2.16	9.29	2.06	9.11	2.00	8.92	1.95	8.55	1.85
24 + 24	-13.7	-15	7.07	2.45	7.02	2.51	6.97	2.56	6.95	2.59	6.92	2.61	6.88	2.67
	-9.5	-10	7.84	2.56	7.79	2.61	7.74	2.67	7.72	2.70	7.70	2.72	7.65	2.78
	-4.4	-5	8.62	2.67	8.57	2.72	8.52	2.78	8.49	2.80	8.47	2.83	8.43	2.89
	0.7	0	9.39	2.78	9.34	2.83	9.29	2.89	9.11	2.81	8.92	2.74	8.55	2.60
	7	6	10.29	2.76	9.79	2.64	9.29	2.51	9.11	2.45	8.92	2.38	8.55	2.26
	11.2	10	10.29	2.53	9.79	2.42	9.29	2.30	9.11	2.24	8.92	2.19	8.55	2.07
7 + 7 + 7	16.3	15	10.29	2.24	9.79	2.14	9.29	2.04	9.11	1.99	8.92	1.94	8.55	1.84
	-13.7	-15	6.88	2.15	6.83	2.20	6.77	2.20	6.63	2.16	6.50	2.12	6.23	2.05
	-9.5	-10	7.49	2.16	7.13	2.09	6.77	2.02	6.63	1.98	6.50	1.94	6.23	1.87
	-4.4	-5	7.49	1.98	7.13	1.91	6.77	1.84	6.63	1.80	6.50	1.76	6.23	1.69
	0.7	0	7.49	1.80	7.13	1.73	6.77	1.66	6.63	1.62	6.50	1.58	6.23	1.51
	7	6	7.49	1.58	7.13	1.51	6.77	1.44	6.63	1.40	6.50	1.37	6.23	1.30
	11.2	10	7.49	1.45	7.13	1.39	6.77	1.32	6.63	1.29	6.50	1.25	6.23	1.19
7 + 7 + 9	16.3	15	7.49	1.29	7.13	1.23	6.77	1.17	6.63	1.14	6.50	1.11	6.23	1.05
	-13.7	-15	6.93	2.16	6.88	2.21	6.83	2.26	6.80	2.28	6.78	2.31	6.74	2.34
	-9.5	-10	7.68	2.26	7.63	2.31	7.42	2.30	7.27	2.26	7.12	2.21	6.82	2.13
	-4.4	-5	8.21	2.26	7.81	2.17	7.42	2.09	7.27	2.05	7.12	2.01	6.82	1.93
	0.7	0	8.21	2.05	7.81	1.97	7.42	1.89	7.27	1.85	7.12	1.80	6.82	1.72
	7	6	8.21	1.80	7.81	1.72	7.42	1.64	7.27	1.60	7.12	1.56	6.82	1.48
7 + 9 + 9	11.2	10	8.21	1.65	7.81	1.58	7.42	1.50	7.27	1.47	7.12	1.43	6.82	1.35
	16.3	15	8.21	1.47	7.81	1.40	7.42	1.33	7.27	1.30	7.12	1.27	6.82	1.20
	-13.7	-15	6.97	2.18	6.92	2.23	6.88	2.27	6.85	2.30	6.83	2.32	6.79	2.37
	-9.5	-10	7.74	2.27	7.69	2.32	7.64	2.37	7.62	2.40	7.60	2.42	7.42	2.42
	-4.4	-5	8.50	2.37	8.45	2.42	8.06	2.37	7.90	2.33	7.74	2.28	7.42	2.19
	0.7	0	8.92	2.33	8.49	2.23	8.06	2.14	7.90	2.09	7.74	2.05	7.42	1.95
	7	6	8.92	2.05	8.49	1.95	8.06	1.86	7.90	1.81	7.74	1.77	7.42	1.67
7 + 7 + 1 2	11.2	10	8.92	1.88	8.49	1.79	8.06	1.71	7.90	1.66	7.74	1.62	7.42	1.53
	16.3	15	8.92	1.66	8.49	1.59	8.06	1.51	7.90	1.47	7.74	1.44	7.42	1.36
	-13.7	-15	7.00	2.19	6.95	2.23	6.90	2.28	6.88	2.31	6.86	2.33	6.81	2.38
	-9.5	-10	7.77	2.28	7.72	2.33	7.67	2.38	7.64	2.40	7.62	2.43	7.58	2.48
	-4.4	-5	8.53	2.38	8.48	2.43	8.38	2.48	8.21	2.46	8.05	2.41	7.71	2.32
	0.7	0	9.28	2.46	8.83	2.36	8.38	2.27	8.21	2.22	8.05	2.17	7.71	2.07
	7	6	9.28	2.17	8.83	2.07	8.38	1.97	8.21	1.92	8.05	1.87	7.71	1.77
9 + 9 + 9	11.2	10	9.28	1.99	8.83	1.90	8.38	1.81	8.21	1.76	8.05	1.72	7.71	1.63
	16.3	15	9.28	1.76	8.83	1.68	8.38	1.60	8.21	1.56	8.05	1.52	7.71	1.44
	-13.7	-15	7.02	2.19	6.97	2.24	6.92	2.29	6.90	2.32	6.88	2.34	6.83	2.39
	-9.5	-10	7.79	2.29	7.74	2.34	7.69	2.39	7.67	2.41	7.65	2.44	7.60	2.49
	-4.4	-5	8.56	2.39	8.51	2.44	8.46	2.49	8.44	2.51	8.36	2.53	8.01	2.46
	0.7	0	9.33	2.49	9.17	2.51	8.70	2.40	8.53	2.35	8.36	2.30	8.01	2.19
9 + 9 + 9	7	6	9.64	2.30	9.17	2.19	8.70	2.09	8.53	2.04	8.36	1.99	8.01	1.88
	11.2	10	9.64	2.11	9.17	2.01	8.70	1.92	8.53	1.87	8.36	1.82	8.01	1.72
9 + 9 + 9	16.3	15	9.64	1.87	9.17	1.78	8.70	1.70	8.53	1.66	8.36	1.61	8.01	1.53

7. Capacity Tables

Combi.	Outdoor Air Temp.		Indoor Air Temp. (°C, DB)											
			16.0		18.0		20.0		21.0		22.0		24.0	
	(°C, DB)	(°C, WB)	TC	PI	TC	PI	TC	PI	TC	PI	TC	PI	TC	PI
7 + 9 + 1 2	-13.7	-15	7.05	2.20	7.00	2.25	6.95	2.30	6.93	2.32	6.90	2.35	6.86	2.40
	-9.5	-10	7.82	2.30	7.77	2.35	7.72	2.40	7.70	2.42	7.68	2.45	7.63	2.49
	-4.4	-5	8.59	2.40	8.54	2.45	8.49	2.49	8.47	2.52	8.45	2.54	8.31	2.59
	0.7	0	9.36	2.49	9.31	2.54	9.03	2.55	8.85	2.50	8.67	2.44	8.31	2.33
	7	6	9.99	2.44	9.51	2.33	9.03	2.22	8.85	2.16	8.67	2.11	8.31	2.00
	11.2	10	9.99	2.24	9.51	2.14	9.03	2.04	8.85	1.98	8.67	1.93	8.31	1.83
	16.3	15	9.99	1.98	9.51	1.89	9.03	1.80	8.85	1.76	8.67	1.71	8.31	1.62
9 + 9 + 1 2	-13.7	-15	7.07	2.27	7.02	2.32	6.97	2.37	6.95	2.39	6.92	2.42	6.88	2.47
	-9.5	-10	7.84	2.37	7.79	2.42	7.74	2.47	7.72	2.49	7.70	2.52	7.65	2.57
	-4.4	-5	8.62	2.47	8.57	2.52	8.52	2.57	8.49	2.59	8.47	2.62	8.43	2.67
	0.7	0	9.39	2.57	9.34	2.62	9.29	2.67	9.11	2.60	8.92	2.53	8.55	2.40
	7	6	10.29	2.55	9.79	2.44	9.29	2.32	9.11	2.26	8.92	2.20	8.55	2.09
	11.2	10	10.29	2.34	9.79	2.23	9.29	2.13	9.11	2.07	8.92	2.02	8.55	1.91
	16.3	15	10.29	2.07	9.79	1.98	9.29	1.88	9.11	1.84	8.92	1.79	8.55	1.70
7 + 12 + 12	-13.7	-15	7.07	2.26	7.02	2.31	6.97	2.36	6.95	2.38	6.92	2.41	6.88	2.46
	-9.5	-10	7.84	2.36	7.79	2.41	7.74	2.46	7.72	2.48	7.70	2.51	7.65	2.56
	-4.4	-5	8.62	2.46	8.57	2.51	8.52	2.56	8.49	2.58	8.47	2.61	8.43	2.66
	0.7	0	9.39	2.56	9.34	2.61	9.29	2.66	9.11	2.59	8.92	2.52	8.55	2.39
	7	6	10.29	2.54	9.79	2.43	9.29	2.31	9.11	2.25	8.92	2.19	8.55	2.08
	11.2	10	10.29	2.33	9.79	2.22	9.29	2.12	9.11	2.06	8.92	2.01	8.55	1.91
	16.3	15	10.29	2.07	9.79	1.97	9.29	1.88	9.11	1.83	8.92	1.78	8.55	1.69
7 + 7 + 1 8	-13.7	-15	7.07	2.21	7.02	2.26	6.97	2.31	6.95	2.33	6.92	2.35	6.88	2.40
	-9.5	-10	7.84	2.31	7.79	2.35	7.74	2.40	7.72	2.43	7.70	2.45	7.65	2.50
	-4.4	-5	8.62	2.40	8.57	2.45	8.52	2.50	8.49	2.53	8.47	2.55	8.43	2.60
	0.7	0	9.39	2.50	9.34	2.55	9.29	2.60	9.11	2.53	8.92	2.47	8.55	2.34
	7	6	10.29	2.49	9.79	2.37	9.29	2.26	9.11	2.20	8.92	2.15	8.55	2.03
	11.2	10	10.29	2.28	9.79	2.18	9.29	2.07	9.11	2.02	8.92	1.97	8.55	1.86
	16.3	15	10.29	2.02	9.79	1.93	9.29	1.84	9.11	1.79	8.92	1.74	8.55	1.65
9 + 12 + 12	-13.7	-15	7.07	2.26	7.02	2.31	6.97	2.36	6.95	2.38	6.92	2.41	6.88	2.46
	-9.5	-10	7.84	2.36	7.79	2.41	7.74	2.46	7.72	2.48	7.70	2.51	7.65	2.56
	-4.4	-5	8.62	2.46	8.57	2.51	8.52	2.56	8.49	2.58	8.47	2.61	8.43	2.66
	0.7	0	9.39	2.56	9.34	2.61	9.29	2.66	9.11	2.59	8.92	2.52	8.55	2.39
	7	6	10.29	2.54	9.79	2.43	9.29	2.31	9.11	2.25	8.92	2.19	8.55	2.08
	11.2	10	10.29	2.33	9.79	2.22	9.29	2.12	9.11	2.06	8.92	2.01	8.55	1.91
	16.3	15	10.29	2.07	9.79	1.97	9.29	1.88	9.11	1.83	8.92	1.78	8.55	1.69
7 + 9 + 1 8	-13.7	-15	7.07	2.21	7.02	2.26	6.97	2.31	6.95	2.33	6.92	2.35	6.88	2.40
	-9.5	-10	7.84	2.31	7.79	2.35	7.74	2.40	7.72	2.43	7.70	2.45	7.65	2.50
	-4.4	-5	8.62	2.40	8.57	2.45	8.52	2.50	8.49	2.53	8.47	2.55	8.43	2.60
	0.7	0	9.39	2.50	9.34	2.55	9.29	2.60	9.11	2.53	8.92	2.47	8.55	2.34
	7	6	10.29	2.49	9.79	2.37	9.29	2.26	9.11	2.20	8.92	2.15	8.55	2.03
	11.2	10	10.29	2.28	9.79	2.18	9.29	2.07	9.11	2.02	8.92	1.97	8.55	1.86
	16.3	15	10.29	2.02	9.79	1.93	9.29	1.84	9.11	1.79	8.92	1.74	8.55	1.65
9 + 9 + 1 8	-13.7	-15	7.07	2.20	7.02	2.25	6.97	2.30	6.95	2.32	6.92	2.34	6.88	2.39
	-9.5	-10	7.84	2.30	7.79	2.34	7.74	2.39	7.72	2.42	7.70	2.44	7.65	2.49
	-4.4	-5	8.62	2.39	8.57	2.44	8.52	2.49	8.49	2.51	8.47	2.54	8.43	2.59
	0.7	0	9.39	2.49	9.34	2.54	9.29	2.59	9.11	2.52	8.92	2.46	8.55	2.33
	7	6	10.29	2.48	9.79	2.36	9.29	2.25	9.11	2.19	8.92	2.14	8.55	2.03

7. Capacity Tables

Combi.	Outdoor Air Temp.		Indoor Air Temp. (°C, DB)											
			16.0		18.0		20.0		21.0		22.0		24.0	
	(°C, DB)	(°C, WB)	TC	PI	TC	PI	TC	PI	TC	PI	TC	PI	TC	PI
9 + 9 + 1 8	11.2	10	10.29	2.27	9.79	2.17	9.29	2.06	9.11	2.01	8.92	1.96	8.55	1.86
	16.3	15	10.29	2.01	9.79	1.92	9.29	1.83	9.11	1.78	8.92	1.74	8.55	1.65
12 + 12 + 12	-13.7	-15	7.07	2.25	7.02	2.30	6.97	2.35	6.95	2.37	6.92	2.40	6.88	2.45
	-9.5	-10	7.84	2.35	7.79	2.40	7.74	2.45	7.72	2.47	7.70	2.50	7.65	2.55
	-4.4	-5	8.62	2.45	8.57	2.50	8.52	2.55	8.49	2.57	8.47	2.60	8.43	2.64
	0.7	0	9.39	2.55	9.34	2.60	9.29	2.64	9.11	2.58	8.92	2.51	8.55	2.38
	7	6	10.29	2.53	9.79	2.42	9.29	2.30	9.11	2.24	8.92	2.19	8.55	2.07
	11.2	10	10.29	2.32	9.79	2.21	9.29	2.11	9.11	2.06	8.92	2.00	8.55	1.90
	16.3	15	10.29	2.06	9.79	1.96	9.29	1.87	9.11	1.82	8.92	1.78	8.55	1.68
7 + 12 + 18	-13.7	-15	7.07	2.20	7.02	2.25	6.97	2.30	6.95	2.32	6.92	2.34	6.88	2.39
	-9.5	-10	7.84	2.30	7.79	2.34	7.74	2.39	7.72	2.42	7.70	2.44	7.65	2.49
	-4.4	-5	8.62	2.39	8.57	2.44	8.52	2.49	8.49	2.51	8.47	2.54	8.43	2.59
	0.7	0	9.39	2.49	9.34	2.54	9.29	2.59	9.11	2.52	8.92	2.46	8.55	2.33
	7	6	10.29	2.48	9.79	2.36	9.29	2.25	9.11	2.19	8.92	2.14	8.55	2.03
	11.2	10	10.29	2.27	9.79	2.17	9.29	2.06	9.11	2.01	8.92	1.96	8.55	1.86
	16.3	15	10.29	2.01	9.79	1.92	9.29	1.83	9.11	1.78	8.92	1.74	8.55	1.65
7 + 7 + 2 4	-13.7	-15	7.07	2.19	7.02	2.24	6.97	2.28	6.95	2.31	6.92	2.33	6.88	2.38
	-9.5	-10	7.84	2.28	7.79	2.33	7.74	2.38	7.72	2.41	7.70	2.43	7.65	2.48
	-4.4	-5	8.62	2.38	8.57	2.43	8.52	2.48	8.49	2.50	8.47	2.53	8.43	2.58
	0.7	0	9.39	2.48	9.34	2.53	9.29	2.58	9.11	2.51	8.92	2.45	8.55	2.32
	7	6	10.29	2.46	9.79	2.35	9.29	2.24	9.11	2.18	8.92	2.13	8.55	2.02
	11.2	10	10.29	2.26	9.79	2.16	9.29	2.05	9.11	2.00	8.92	1.95	8.55	1.85
	16.3	15	10.29	2.00	9.79	1.91	9.29	1.82	9.11	1.77	8.92	1.73	8.55	1.64
9 + 12 + 18	-13.7	-15	7.07	2.19	7.02	2.24	6.97	2.28	6.95	2.31	6.92	2.33	6.88	2.38
	-9.5	-10	7.84	2.28	7.79	2.33	7.74	2.38	7.72	2.41	7.70	2.43	7.65	2.48
	-4.4	-5	8.62	2.38	8.57	2.43	8.52	2.48	8.49	2.50	8.47	2.53	8.43	2.58
	0.7	0	9.39	2.48	9.34	2.53	9.29	2.58	9.11	2.51	8.92	2.45	8.55	2.32
	7	6	10.29	2.46	9.79	2.35	9.29	2.24	9.11	2.18	8.92	2.13	8.55	2.02
	11.2	10	10.29	2.26	9.79	2.16	9.29	2.05	9.11	2.00	8.92	1.95	8.55	1.85
	16.3	15	10.29	2.00	9.79	1.91	9.29	1.82	9.11	1.77	8.92	1.73	8.55	1.64
7 + 9 + 2 4	-13.7	-15	7.07	2.19	7.02	2.24	6.97	2.28	6.95	2.31	6.92	2.33	6.88	2.38
	-9.5	-10	7.84	2.28	7.79	2.33	7.74	2.38	7.72	2.41	7.70	2.43	7.65	2.48
	-4.4	-5	8.62	2.38	8.57	2.43	8.52	2.48	8.49	2.50	8.47	2.53	8.43	2.58
	0.7	0	9.39	2.48	9.34	2.53	9.29	2.58	9.11	2.51	8.92	2.45	8.55	2.32
	7	6	10.29	2.46	9.79	2.35	9.29	2.24	9.11	2.18	8.92	2.13	8.55	2.02
	11.2	10	10.29	2.26	9.79	2.16	9.29	2.05	9.11	2.00	8.92	1.95	8.55	1.85
	16.3	15	10.29	2.00	9.79	1.91	9.29	1.82	9.11	1.77	8.92	1.73	8.55	1.64
9 + 9 + 2 4	-13.7	-15	7.07	2.18	7.02	2.23	6.97	2.27	6.95	2.30	6.92	2.32	6.88	2.37
	-9.5	-10	7.84	2.27	7.79	2.32	7.74	2.37	7.72	2.40	7.70	2.42	7.65	2.47
	-4.4	-5	8.62	2.37	8.57	2.42	8.52	2.47	8.49	2.49	8.47	2.52	8.43	2.56
	0.7	0	9.39	2.47	9.34	2.52	9.29	2.56	9.11	2.50	8.92	2.44	8.55	2.31
	7	6	10.29	2.45	9.79	2.34	9.29	2.23	9.11	2.17	8.92	2.12	8.55	2.01
	11.2	10	10.29	2.25	9.79	2.15	9.29	2.04	9.11	1.99	8.92	1.94	8.55	1.84
	16.3	15	10.29	1.99	9.79	1.90	9.29	1.81	9.11	1.77	8.92	1.72	8.55	1.63
12 + 12 + 18	-13.7	-15	7.07	2.18	7.02	2.23	6.97	2.27	6.95	2.30	6.92	2.32	6.88	2.37
	-9.5	-10	7.84	2.27	7.79	2.32	7.74	2.37	7.72	2.40	7.70	2.42	7.65	2.47
	-4.4	-5	8.62	2.37	8.57	2.42	8.52	2.47	8.49	2.49	8.47	2.52	8.43	2.56

7. Capacity Tables

Combi.	Outdoor Air Temp.		Indoor Air Temp. (°C, DB)											
			16.0		18.0		20.0		21.0		22.0		24.0	
	(°C, DB)	(°C, WB)	TC	PI	TC	PI	TC	PI	TC	PI	TC	PI	TC	PI
12 + 12 + 18	0.7	0	9.39	2.47	9.34	2.52	9.29	2.56	9.11	2.50	8.92	2.44	8.55	2.31
	7	6	10.29	2.45	9.79	2.34	9.29	2.23	9.11	2.17	8.92	2.12	8.55	2.01
	11.2	10	10.29	2.25	9.79	2.15	9.29	2.04	9.11	1.99	8.92	1.94	8.55	1.84
	16.3	15	10.29	1.99	9.79	1.90	9.29	1.81	9.11	1.77	8.92	1.72	8.55	1.63
7 + 12 + 24	-13.7	-15	7.07	2.18	7.02	2.23	6.97	2.27	6.95	2.30	6.92	2.32	6.88	2.37
	-9.5	-10	7.84	2.27	7.79	2.32	7.74	2.37	7.72	2.40	7.70	2.42	7.65	2.47
	-4.4	-5	8.62	2.37	8.57	2.42	8.52	2.47	8.49	2.49	8.47	2.52	8.43	2.56
	0.7	0	9.39	2.47	9.34	2.52	9.29	2.56	9.11	2.50	8.92	2.44	8.55	2.31
	7	6	10.29	2.45	9.79	2.34	9.29	2.23	9.11	2.17	8.92	2.12	8.55	2.01
	11.2	10	10.29	2.25	9.79	2.15	9.29	2.04	9.11	1.99	8.92	1.94	8.55	1.84
	16.3	15	10.29	1.99	9.79	1.90	9.29	1.81	9.11	1.77	8.92	1.72	8.55	1.63
7 + 18 + 18	-13.7	-15	7.07	2.13	7.02	2.18	6.97	2.22	6.95	2.25	6.92	2.27	6.88	2.32
	-9.5	-10	7.84	2.22	7.79	2.27	7.74	2.32	7.72	2.34	7.70	2.37	7.65	2.41
	-4.4	-5	8.62	2.32	8.57	2.37	8.52	2.41	8.49	2.44	8.47	2.46	8.43	2.51
	0.7	0	9.39	2.41	9.34	2.46	9.29	2.51	9.11	2.44	8.92	2.38	8.55	2.26
	7	6	10.29	2.40	9.79	2.29	9.29	2.18	9.11	2.13	8.92	2.07	8.55	1.96
	11.2	10	10.29	2.20	9.79	2.10	9.29	2.00	9.11	1.95	8.92	1.90	8.55	1.80
	16.3	15	10.29	1.95	9.79	1.86	9.29	1.77	9.11	1.73	8.92	1.68	8.55	1.59
9 + 12 + 24	-13.7	-15	7.07	2.17	7.02	2.22	6.97	2.26	6.95	2.29	6.92	2.31	6.88	2.36
	-9.5	-10	7.84	2.26	7.79	2.31	7.74	2.36	7.72	2.38	7.70	2.41	7.65	2.46
	-4.4	-5	8.62	2.36	8.57	2.41	8.52	2.46	8.49	2.48	8.47	2.50	8.43	2.55
	0.7	0	9.39	2.46	9.34	2.50	9.29	2.55	9.11	2.49	8.92	2.43	8.55	2.30
	7	6	10.29	2.44	9.79	2.33	9.29	2.22	9.11	2.16	8.92	2.11	8.55	2.00
	11.2	10	10.29	2.24	9.79	2.14	9.29	2.04	9.11	1.98	8.92	1.93	8.55	1.83
	16.3	15	10.29	1.98	9.79	1.89	9.29	1.80	9.11	1.76	8.92	1.71	8.55	1.62
9 + 18 + 18	-13.7	-15	7.07	2.12	7.02	2.17	6.97	2.21	6.95	2.24	6.92	2.26	6.88	2.31
	-9.5	-10	7.84	2.21	7.79	2.26	7.74	2.31	7.72	2.33	7.70	2.35	7.65	2.40
	-4.4	-5	8.62	2.31	8.57	2.35	8.52	2.40	8.49	2.42	8.47	2.45	8.43	2.50
	0.7	0	9.39	2.40	9.34	2.45	9.29	2.50	9.11	2.43	8.92	2.37	8.55	2.25
	7	6	10.29	2.39	9.79	2.28	9.29	2.17	9.11	2.12	8.92	2.06	8.55	1.95
	11.2	10	10.29	2.19	9.79	2.09	9.29	1.99	9.11	1.94	8.92	1.89	8.55	1.79
	16.3	15	10.29	1.94	9.79	1.85	9.29	1.76	9.11	1.72	8.92	1.68	8.55	1.59
12 + 12 + 24	-13.7	-15	7.07	2.16	7.02	2.21	6.97	2.25	6.95	2.28	6.92	2.30	6.88	2.35
	-9.5	-10	7.84	2.25	7.79	2.30	7.74	2.35	7.72	2.37	7.70	2.40	7.65	2.45
	-4.4	-5	8.62	2.35	8.57	2.40	8.52	2.45	8.49	2.47	8.47	2.49	8.43	2.54
	0.7	0	9.39	2.45	9.34	2.49	9.29	2.54	9.11	2.48	8.92	2.41	8.55	2.29
	7	6	10.29	2.43	9.79	2.32	9.29	2.21	9.11	2.15	8.92	2.10	8.55	1.99
	11.2	10	10.29	2.23	9.79	2.13	9.29	2.03	9.11	1.98	8.92	1.92	8.55	1.82
	16.3	15	10.29	1.98	9.79	1.89	9.29	1.80	9.11	1.75	8.92	1.71	8.55	1.62
12 + 18 + 18	-13.7	-15	7.07	2.12	7.02	2.17	6.97	2.21	6.95	2.24	6.92	2.26	6.88	2.31
	-9.5	-10	7.84	2.21	7.79	2.26	7.74	2.31	7.72	2.33	7.70	2.35	7.65	2.40
	-4.4	-5	8.62	2.31	8.57	2.35	8.52	2.40	8.49	2.42	8.47	2.45	8.43	2.50
	0.7	0	9.39	2.40	9.34	2.45	9.29	2.50	9.11	2.43	8.92	2.37	8.55	2.25
	7	6	10.29	2.39	9.79	2.28	9.29	2.17	9.11	2.12	8.92	2.06	8.55	1.95
	11.2	10	10.29	2.19	9.79	2.09	9.29	1.99	9.11	1.94	8.92	1.89	8.55	1.79
	16.3	15	10.29	1.94	9.79	1.85	9.29	1.76	9.11	1.72	8.92	1.68	8.55	1.59
7 + 18 + 24	-13.7	-15	7.07	2.11	7.02	2.16	6.97	2.20	6.95	2.23	6.92	2.25	6.88	2.30

7. Capacity Tables

Combi.	Outdoor Air Temp.		Indoor Air Temp. (°C, DB)											
			16.0		18.0		20.0		21.0		22.0		24.0	
	(°C, DB)	(°C, WB)	TC	PI	TC	PI	TC	PI	TC	PI	TC	PI	TC	PI
7 + 18 + 24	-9.5	-10	7.84	2.20	7.79	2.25	7.74	2.30	7.72	2.32	7.70	2.34	7.65	2.39
	-4.4	-5	8.62	2.30	8.57	2.34	8.52	2.39	8.49	2.41	8.47	2.44	8.43	2.48
	0.7	0	9.39	2.39	9.34	2.44	9.29	2.48	9.11	2.42	8.92	2.36	8.55	2.24
	7	6	10.29	2.38	9.79	2.27	9.29	2.16	9.11	2.11	8.92	2.05	8.55	1.94
	11.2	10	10.29	2.18	9.79	2.08	9.29	1.98	9.11	1.93	8.92	1.88	8.55	1.78
	16.3	15	10.29	1.93	9.79	1.84	9.29	1.76	9.11	1.71	8.92	1.67	8.55	1.58
9 + 18 + 24	-13.7	-15	7.07	2.11	7.02	2.16	6.97	2.20	6.95	2.23	6.92	2.25	6.88	2.30
	-9.5	-10	7.84	2.20	7.79	2.25	7.74	2.30	7.72	2.32	7.70	2.34	7.65	2.39
	-4.4	-5	8.62	2.30	8.57	2.34	8.52	2.39	8.49	2.41	8.47	2.44	8.43	2.48
	0.7	0	9.39	2.39	9.34	2.44	9.29	2.48	9.11	2.42	8.92	2.36	8.55	2.24
	7	6	10.29	2.38	9.79	2.27	9.29	2.16	9.11	2.11	8.92	2.05	8.55	1.94
	11.2	10	10.29	2.18	9.79	2.08	9.29	1.98	9.11	1.93	8.92	1.88	8.55	1.78
7 + 7 + 7 + 7	-13.7	-15	7.05	2.20	7.00	2.25	6.95	2.30	6.93	2.32	6.90	2.35	6.86	2.40
	-9.5	-10	7.82	2.30	7.77	2.35	7.72	2.40	7.70	2.42	7.68	2.45	7.63	2.49
	-4.4	-5	8.59	2.40	8.54	2.45	8.49	2.49	8.47	2.52	8.45	2.54	8.31	2.54
	0.7	0	9.36	2.49	9.31	2.54	9.03	2.48	8.85	2.43	8.67	2.38	8.31	2.27
	7	6	9.99	2.38	9.51	2.27	9.03	2.16	8.85	2.11	8.67	2.05	8.31	1.94
	11.2	10	9.99	2.18	9.51	2.08	9.03	1.98	8.85	1.93	8.67	1.88	8.31	1.78
7 + 7 + 7 + 9	-13.7	-15	7.07	2.21	7.02	2.26	6.97	2.31	6.95	2.33	6.92	2.35	6.88	2.40
	-9.5	-10	7.84	2.31	7.79	2.35	7.74	2.40	7.72	2.43	7.70	2.45	7.65	2.50
	-4.4	-5	8.62	2.40	8.57	2.45	8.52	2.50	8.49	2.53	8.47	2.55	8.43	2.60
	0.7	0	9.39	2.50	9.34	2.55	9.29	2.60	9.11	2.53	8.92	2.47	8.55	2.34
	7	6	10.29	2.49	9.79	2.37	9.29	2.26	9.11	2.20	8.92	2.15	8.55	2.03
	11.2	10	10.29	2.28	9.79	2.18	9.29	2.07	9.11	2.02	8.92	1.97	8.55	1.86
7 + 7 + 9 + 9	-13.7	-15	7.07	2.21	7.02	2.26	6.97	2.31	6.95	2.33	6.92	2.35	6.88	2.40
	-9.5	-10	7.84	2.31	7.79	2.35	7.74	2.40	7.72	2.43	7.70	2.45	7.65	2.50
	-4.4	-5	8.62	2.40	8.57	2.45	8.52	2.50	8.49	2.53	8.47	2.55	8.43	2.60
	0.7	0	9.39	2.50	9.34	2.55	9.29	2.60	9.11	2.53	8.92	2.47	8.55	2.34
	7	6	10.29	2.49	9.79	2.37	9.29	2.26	9.11	2.20	8.92	2.15	8.55	2.03
	11.2	10	10.29	2.28	9.79	2.18	9.29	2.07	9.11	2.02	8.92	1.97	8.55	1.86
7 + 7 + 7 + 12	-13.7	-15	7.07	2.20	7.02	2.25	6.97	2.30	6.95	2.32	6.92	2.34	6.88	2.39
	-9.5	-10	7.84	2.30	7.79	2.34	7.74	2.39	7.72	2.42	7.70	2.44	7.65	2.49
	-4.4	-5	8.62	2.39	8.57	2.44	8.52	2.49	8.49	2.51	8.47	2.54	8.43	2.59
	0.7	0	9.39	2.49	9.34	2.54	9.29	2.59	9.11	2.52	8.92	2.46	8.55	2.33
	7	6	10.29	2.48	9.79	2.36	9.29	2.25	9.11	2.19	8.92	2.14	8.55	2.03
	11.2	10	10.29	2.27	9.79	2.17	9.29	2.06	9.11	2.01	8.92	1.96	8.55	1.86
7 + 9 + 9 + 9	-13.7	-15	7.07	2.20	7.02	2.25	6.97	2.30	6.95	2.32	6.92	2.34	6.88	2.39
	-9.5	-10	7.84	2.30	7.79	2.34	7.74	2.39	7.72	2.42	7.70	2.44	7.65	2.49
	-4.4	-5	8.62	2.39	8.57	2.44	8.52	2.49	8.49	2.51	8.47	2.54	8.43	2.59
	0.7	0	9.39	2.49	9.34	2.54	9.29	2.59	9.11	2.52	8.92	2.46	8.55	2.33
	7	6	10.29	2.48	9.79	2.36	9.29	2.25	9.11	2.19	8.92	2.14	8.55	2.03
	11.2	10	10.29	2.27	9.79	2.17	9.29	2.06	9.11	2.01	8.92	1.96	8.55	1.86

7. Capacity Tables

Combi.	Outdoor Air Temp.		Indoor Air Temp. (°C, DB)											
			16.0		18.0		20.0		21.0		22.0		24.0	
	(°C, DB)	(°C, WB)	TC	PI	TC	PI	TC	PI	TC	PI	TC	PI	TC	PI
7 + 9 + 9 + 9	16.3	15	10.29	2.01	9.79	1.92	9.29	1.83	9.11	1.78	8.92	1.74	8.55	1.65
7 + 7 + 9 + 12	-13.7	-15	7.07	2.20	7.02	2.25	6.97	2.30	6.95	2.32	6.92	2.34	6.88	2.39
	-9.5	-10	7.84	2.30	7.79	2.34	7.74	2.39	7.72	2.42	7.70	2.44	7.65	2.49
	-4.4	-5	8.62	2.39	8.57	2.44	8.52	2.49	8.49	2.51	8.47	2.54	8.43	2.59
	0.7	0	9.39	2.49	9.34	2.54	9.29	2.59	9.11	2.52	8.92	2.46	8.55	2.33
	7	6	10.29	2.48	9.79	2.36	9.29	2.25	9.11	2.19	8.92	2.14	8.55	2.03
	11.2	10	10.29	2.27	9.79	2.17	9.29	2.06	9.11	2.01	8.92	1.96	8.55	1.86
	16.3	15	10.29	2.01	9.79	1.92	9.29	1.83	9.11	1.78	8.92	1.74	8.55	1.65
9 + 9 + 9 + 9	-13.7	-15	7.07	2.19	7.02	2.24	6.97	2.28	6.95	2.31	6.92	2.33	6.88	2.38
	-9.5	-10	7.84	2.28	7.79	2.33	7.74	2.38	7.72	2.41	7.70	2.43	7.65	2.48
	-4.4	-5	8.62	2.38	8.57	2.43	8.52	2.48	8.49	2.50	8.47	2.53	8.43	2.58
	0.7	0	9.39	2.48	9.34	2.53	9.29	2.58	9.11	2.51	8.92	2.45	8.55	2.32
	7	6	10.29	2.46	9.79	2.35	9.29	2.24	9.11	2.18	8.92	2.13	8.55	2.02
	11.2	10	10.29	2.26	9.79	2.16	9.29	2.05	9.11	2.00	8.92	1.95	8.55	1.85
	16.3	15	10.29	2.00	9.79	1.91	9.29	1.82	9.11	1.77	8.92	1.73	8.55	1.64
7 + 9 + 9 + 12	-13.7	-15	7.07	2.19	7.02	2.24	6.97	2.28	6.95	2.31	6.92	2.33	6.88	2.38
	-9.5	-10	7.84	2.28	7.79	2.33	7.74	2.38	7.72	2.41	7.70	2.43	7.65	2.48
	-4.4	-5	8.62	2.38	8.57	2.43	8.52	2.48	8.49	2.50	8.47	2.53	8.43	2.58
	0.7	0	9.39	2.48	9.34	2.53	9.29	2.58	9.11	2.51	8.92	2.45	8.55	2.32
	7	6	10.29	2.46	9.79	2.35	9.29	2.24	9.11	2.18	8.92	2.13	8.55	2.02
	11.2	10	10.29	2.26	9.79	2.16	9.29	2.05	9.11	2.00	8.92	1.95	8.55	1.85
	16.3	15	10.29	2.00	9.79	1.91	9.29	1.82	9.11	1.77	8.92	1.73	8.55	1.64
7 + 7 + 1 2 + 12	-13.7	-15	7.07	2.19	7.02	2.24	6.97	2.28	6.95	2.31	6.92	2.33	6.88	2.38
	-9.5	-10	7.84	2.28	7.79	2.33	7.74	2.38	7.72	2.41	7.70	2.43	7.65	2.48
	-4.4	-5	8.62	2.38	8.57	2.43	8.52	2.48	8.49	2.50	8.47	2.53	8.43	2.58
	0.7	0	9.39	2.48	9.34	2.53	9.29	2.58	9.11	2.51	8.92	2.45	8.55	2.32
	7	6	10.29	2.46	9.79	2.35	9.29	2.24	9.11	2.18	8.92	2.13	8.55	2.02
	11.2	10	10.29	2.26	9.79	2.16	9.29	2.05	9.11	2.00	8.92	1.95	8.55	1.85
	16.3	15	10.29	2.00	9.79	1.91	9.29	1.82	9.11	1.77	8.92	1.73	8.55	1.64
7 + 7 + 7 + 18	-13.7	-15	7.07	2.15	7.02	2.20	6.97	2.24	6.95	2.27	6.92	2.29	6.88	2.34
	-9.5	-10	7.84	2.24	7.79	2.29	7.74	2.34	7.72	2.36	7.70	2.39	7.65	2.43
	-4.4	-5	8.62	2.34	8.57	2.39	8.52	2.43	8.49	2.46	8.47	2.48	8.43	2.53
	0.7	0	9.39	2.43	9.34	2.48	9.29	2.53	9.11	2.47	8.92	2.40	8.55	2.28
	7	6	10.29	2.42	9.79	2.31	9.29	2.20	9.11	2.15	8.92	2.09	8.55	1.98
	11.2	10	10.29	2.22	9.79	2.12	9.29	2.02	9.11	1.97	8.92	1.92	8.55	1.82
	16.3	15	10.29	1.97	9.79	1.88	9.29	1.79	9.11	1.74	8.92	1.70	8.55	1.61
9 + 9 + 9 + 12	-13.7	-15	7.07	2.18	7.02	2.23	6.97	2.27	6.95	2.30	6.92	2.32	6.88	2.37
	-9.5	-10	7.84	2.27	7.79	2.32	7.74	2.37	7.72	2.40	7.70	2.42	7.65	2.47
	-4.4	-5	8.62	2.37	8.57	2.42	8.52	2.47	8.49	2.49	8.47	2.52	8.43	2.56
	0.7	0	9.39	2.47	9.34	2.52	9.29	2.56	9.11	2.50	8.92	2.44	8.55	2.31
	7	6	10.29	2.45	9.79	2.34	9.29	2.23	9.11	2.17	8.92	2.12	8.55	2.01
	11.2	10	10.29	2.25	9.79	2.15	9.29	2.04	9.11	1.99	8.92	1.94	8.55	1.84
	16.3	15	10.29	1.99	9.79	1.90	9.29	1.81	9.11	1.77	8.92	1.72	8.55	1.63
7 + 9 + 1 2 + 12	-13.7	-15	7.07	2.18	7.02	2.23	6.97	2.27	6.95	2.30	6.92	2.32	6.88	2.37
	-9.5	-10	7.84	2.27	7.79	2.32	7.74	2.37	7.72	2.40	7.70	2.42	7.65	2.47
	-4.4	-5	8.62	2.37	8.57	2.42	8.52	2.47	8.49	2.49	8.47	2.52	8.43	2.56
	0.7	0	9.39	2.47	9.34	2.52	9.29	2.56	9.11	2.50	8.92	2.44	8.55	2.31

7. Capacity Tables

Combi.	Outdoor Air Temp.		Indoor Air Temp. (°C, DB)											
			16.0		18.0		20.0		21.0		22.0		24.0	
	(°C, DB)	(°C, WB)	TC	PI	TC	PI	TC	PI	TC	PI	TC	PI	TC	PI
7 + 9 + 1 2 + 12	7	6	10.29	2.45	9.79	2.34	9.29	2.23	9.11	2.17	8.92	2.12	8.55	2.01
	11.2	10	10.29	2.25	9.79	2.15	9.29	2.04	9.11	1.99	8.92	1.94	8.55	1.84
	16.3	15	10.29	1.99	9.79	1.90	9.29	1.81	9.11	1.77	8.92	1.72	8.55	1.63
7 + 7 + 9 + 18	-13.7	-15	7.07	2.14	7.02	2.19	6.97	2.23	6.95	2.26	6.92	2.28	6.88	2.33
	-9.5	-10	7.84	2.23	7.79	2.28	7.74	2.33	7.72	2.35	7.70	2.38	7.65	2.42
	-4.4	-5	8.62	2.33	8.57	2.38	8.52	2.42	8.49	2.45	8.47	2.47	8.43	2.52
	0.7	0	9.39	2.42	9.34	2.47	9.29	2.52	9.11	2.46	8.92	2.39	8.55	2.27
	7	6	10.29	2.41	9.79	2.30	9.29	2.19	9.11	2.14	8.92	2.08	8.55	1.97
	11.2	10	10.29	2.21	9.79	2.11	9.29	2.01	9.11	1.96	8.92	1.91	8.55	1.81
	16.3	15	10.29	1.96	9.79	1.87	9.29	1.78	9.11	1.73	8.92	1.69	8.55	1.60
9 + 9 + 1 2 + 12	-13.7	-15	7.07	2.17	7.02	2.22	6.97	2.26	6.95	2.29	6.92	2.31	6.88	2.36
	-9.5	-10	7.84	2.26	7.79	2.31	7.74	2.36	7.72	2.38	7.70	2.41	7.65	2.46
	-4.4	-5	8.62	2.36	8.57	2.41	8.52	2.46	8.49	2.48	8.47	2.50	8.43	2.55
	0.7	0	9.39	2.46	9.34	2.50	9.29	2.55	9.11	2.49	8.92	2.43	8.55	2.30
	7	6	10.29	2.44	9.79	2.33	9.29	2.22	9.11	2.16	8.92	2.11	8.55	2.00
	11.2	10	10.29	2.24	9.79	2.14	9.29	2.04	9.11	1.98	8.92	1.93	8.55	1.83
	16.3	15	10.29	1.98	9.79	1.89	9.29	1.80	9.11	1.76	8.92	1.71	8.55	1.62
7 + 9 + 9 + 18	-13.7	-15	7.07	2.14	7.02	2.19	6.97	2.23	6.95	2.26	6.92	2.28	6.88	2.33
	-9.5	-10	7.84	2.23	7.79	2.28	7.74	2.33	7.72	2.35	7.70	2.38	7.65	2.42
	-4.4	-5	8.62	2.33	8.57	2.38	8.52	2.42	8.49	2.45	8.47	2.47	8.43	2.52
	0.7	0	9.39	2.42	9.34	2.47	9.29	2.52	9.11	2.46	8.92	2.39	8.55	2.27
	7	6	10.29	2.41	9.79	2.30	9.29	2.19	9.11	2.14	8.92	2.08	8.55	1.97
	11.2	10	10.29	2.21	9.79	2.11	9.29	2.01	9.11	1.96	8.92	1.91	8.55	1.81
	16.3	15	10.29	1.96	9.79	1.87	9.29	1.78	9.11	1.73	8.92	1.69	8.55	1.60
7 + 12 + 12 + 12	-13.7	-15	7.07	2.17	7.02	2.22	6.97	2.26	6.95	2.29	6.92	2.31	6.88	2.36
	-9.5	-10	7.84	2.26	7.79	2.31	7.74	2.36	7.72	2.38	7.70	2.41	7.65	2.46
	-4.4	-5	8.62	2.36	8.57	2.41	8.52	2.46	8.49	2.48	8.47	2.50	8.43	2.55
	0.7	0	9.39	2.46	9.34	2.50	9.29	2.55	9.11	2.49	8.92	2.43	8.55	2.30
	7	6	10.29	2.44	9.79	2.33	9.29	2.22	9.11	2.16	8.92	2.11	8.55	2.00
	11.2	10	10.29	2.24	9.79	2.14	9.29	2.04	9.11	1.98	8.92	1.93	8.55	1.83
	16.3	15	10.29	1.98	9.79	1.89	9.29	1.80	9.11	1.76	8.92	1.71	8.55	1.62
7 + 7 + 1 2 + 18	-13.7	-15	7.07	2.13	7.02	2.18	6.97	2.22	6.95	2.25	6.92	2.27	6.88	2.32
	-9.5	-10	7.84	2.22	7.79	2.27	7.74	2.32	7.72	2.34	7.70	2.37	7.65	2.41
	-4.4	-5	8.62	2.32	8.57	2.37	8.52	2.41	8.49	2.44	8.47	2.46	8.43	2.51
	0.7	0	9.39	2.41	9.34	2.46	9.29	2.51	9.11	2.44	8.92	2.38	8.55	2.26
	7	6	10.29	2.40	9.79	2.29	9.29	2.18	9.11	2.13	8.92	2.07	8.55	1.96
	11.2	10	10.29	2.20	9.79	2.10	9.29	2.00	9.11	1.95	8.92	1.90	8.55	1.80
	16.3	15	10.29	1.95	9.79	1.86	9.29	1.77	9.11	1.73	8.92	1.68	8.55	1.59
7 + 7 + 7 + 24	-13.7	-15	7.07	2.13	7.02	2.18	6.97	2.22	6.95	2.25	6.92	2.27	6.88	2.32
	-9.5	-10	7.84	2.22	7.79	2.27	7.74	2.32	7.72	2.34	7.70	2.37	7.65	2.41
	-4.4	-5	8.62	2.32	8.57	2.37	8.52	2.41	8.49	2.44	8.47	2.46	8.43	2.51
	0.7	0	9.39	2.41	9.34	2.46	9.29	2.51	9.11	2.44	8.92	2.38	8.55	2.26
	7	6	10.29	2.40	9.79	2.29	9.29	2.18	9.11	2.13	8.92	2.07	8.55	1.96
	11.2	10	10.29	2.20	9.79	2.10	9.29	2.00	9.11	1.95	8.92	1.90	8.55	1.80
	16.3	15	10.29	1.95	9.79	1.86	9.29	1.77	9.11	1.73	8.92	1.68	8.55	1.59
9 + 9 + 9 + 18	-13.7	-15	7.07	2.13	7.02	2.18	6.97	2.22	6.95	2.25	6.92	2.27	6.88	2.32
	-9.5	-10	7.84	2.22	7.79	2.27	7.74	2.32	7.72	2.34	7.70	2.37	7.65	2.41

7. Capacity Tables

Combi.	Outdoor Air Temp.		Indoor Air Temp. (°C, DB)											
			16.0		18.0		20.0		21.0		22.0		24.0	
	(°C, DB)	(°C, WB)	TC	PI	TC	PI	TC	PI	TC	PI	TC	PI	TC	PI
9 + 9 + 9 + 18	-4.4	-5	8.62	2.32	8.57	2.37	8.52	2.41	8.49	2.44	8.47	2.46	8.43	2.51
	0.7	0	9.39	2.41	9.34	2.46	9.29	2.51	9.11	2.44	8.92	2.38	8.55	2.26
	7	6	10.29	2.40	9.79	2.29	9.29	2.18	9.11	2.13	8.92	2.07	8.55	1.96
	11.2	10	10.29	2.20	9.79	2.10	9.29	2.00	9.11	1.95	8.92	1.90	8.55	1.80
	16.3	15	10.29	1.95	9.79	1.86	9.29	1.77	9.11	1.73	8.92	1.68	8.55	1.59
9 + 12 + 12 + 12	-13.7	-15	7.07	2.16	7.02	2.21	6.97	2.25	6.95	2.28	6.92	2.30	6.88	2.35
	-9.5	-10	7.84	2.25	7.79	2.30	7.74	2.35	7.72	2.37	7.70	2.40	7.65	2.45
	-4.4	-5	8.62	2.35	8.57	2.40	8.52	2.45	8.49	2.47	8.47	2.49	8.43	2.54
	0.7	0	9.39	2.45	9.34	2.49	9.29	2.54	9.11	2.48	8.92	2.41	8.55	2.29
	7	6	10.29	2.43	9.79	2.32	9.29	2.21	9.11	2.15	8.92	2.10	8.55	1.99
	11.2	10	10.29	2.23	9.79	2.13	9.29	2.03	9.11	1.98	8.92	1.92	8.55	1.82
7 + 9 + 1 2 + 18	16.3	15	10.29	1.98	9.79	1.89	9.29	1.80	9.11	1.75	8.92	1.71	8.55	1.62
	-13.7	-15	7.07	2.13	7.02	2.18	6.97	2.22	6.95	2.25	6.92	2.27	6.88	2.32
	-9.5	-10	7.84	2.22	7.79	2.27	7.74	2.32	7.72	2.34	7.70	2.37	7.65	2.41
	-4.4	-5	8.62	2.32	8.57	2.37	8.52	2.41	8.49	2.44	8.47	2.46	8.43	2.51
	0.7	0	9.39	2.41	9.34	2.46	9.29	2.51	9.11	2.44	8.92	2.38	8.55	2.26
	7	6	10.29	2.40	9.79	2.29	9.29	2.18	9.11	2.13	8.92	2.07	8.55	1.96
	11.2	10	10.29	2.20	9.79	2.10	9.29	2.00	9.11	1.95	8.92	1.90	8.55	1.80
7 + 7 + 9 + 24	16.3	15	10.29	1.95	9.79	1.86	9.29	1.77	9.11	1.73	8.92	1.68	8.55	1.59
	-13.7	-15	7.07	2.12	7.02	2.17	6.97	2.21	6.95	2.24	6.92	2.26	6.88	2.31
	-9.5	-10	7.84	2.21	7.79	2.26	7.74	2.31	7.72	2.33	7.70	2.35	7.65	2.40
	-4.4	-5	8.62	2.31	8.57	2.35	8.52	2.40	8.49	2.42	8.47	2.45	8.43	2.50
	0.7	0	9.39	2.40	9.34	2.45	9.29	2.50	9.11	2.43	8.92	2.37	8.55	2.25
	7	6	10.29	2.39	9.79	2.28	9.29	2.17	9.11	2.12	8.92	2.06	8.55	1.95
	11.2	10	10.29	2.19	9.79	2.09	9.29	1.99	9.11	1.94	8.92	1.89	8.55	1.79
9 + 9 + 1 2 + 18	16.3	15	10.29	1.94	9.79	1.85	9.29	1.76	9.11	1.72	8.92	1.68	8.55	1.59
	-13.7	-15	7.07	2.12	7.02	2.17	6.97	2.21	6.95	2.24	6.92	2.26	6.88	2.31
	-9.5	-10	7.84	2.21	7.79	2.26	7.74	2.31	7.72	2.33	7.70	2.35	7.65	2.40
	-4.4	-5	8.62	2.31	8.57	2.35	8.52	2.40	8.49	2.42	8.47	2.45	8.43	2.50
	0.7	0	9.39	2.40	9.34	2.45	9.29	2.50	9.11	2.43	8.92	2.37	8.55	2.25
	7	6	10.29	2.39	9.79	2.28	9.29	2.17	9.11	2.12	8.92	2.06	8.55	1.95
	11.2	10	10.29	2.19	9.79	2.09	9.29	1.99	9.11	1.94	8.92	1.89	8.55	1.79
12 + 12 + 12 + 1 2	16.3	15	10.29	1.94	9.79	1.85	9.29	1.76	9.11	1.72	8.92	1.68	8.55	1.59
	-13.7	-15	7.07	2.15	7.02	2.20	6.97	2.24	6.95	2.27	6.92	2.29	6.88	2.34
	-9.5	-10	7.84	2.24	7.79	2.29	7.74	2.34	7.72	2.36	7.70	2.39	7.65	2.43
	-4.4	-5	8.62	2.34	8.57	2.39	8.52	2.43	8.49	2.46	8.47	2.48	8.43	2.53
	0.7	0	9.39	2.43	9.34	2.48	9.29	2.53	9.11	2.47	8.92	2.40	8.55	2.28
	7	6	10.29	2.42	9.79	2.31	9.29	2.20	9.11	2.15	8.92	2.09	8.55	1.98
	11.2	10	10.29	2.22	9.79	2.12	9.29	2.02	9.11	1.97	8.92	1.92	8.55	1.82
7 + 9 + 9 + 24	16.3	15	10.29	1.97	9.79	1.88	9.29	1.79	9.11	1.74	8.92	1.70	8.55	1.61
	-13.7	-15	7.07	2.12	7.02	2.17	6.97	2.21	6.95	2.24	6.92	2.26	6.88	2.31
	-9.5	-10	7.84	2.21	7.79	2.26	7.74	2.31	7.72	2.33	7.70	2.35	7.65	2.40
	-4.4	-5	8.62	2.31	8.57	2.35	8.52	2.40	8.49	2.42	8.47	2.45	8.43	2.50
	0.7	0	9.39	2.40	9.34	2.45	9.29	2.50	9.11	2.43	8.92	2.37	8.55	2.25
	7	6	10.29	2.39	9.79	2.28	9.29	2.17	9.11	2.12	8.92	2.06	8.55	1.95
	11.2	10	10.29	2.19	9.79	2.09	9.29	1.99	9.11	1.94	8.92	1.89	8.55	1.79
16.3	15	10.29	1.94	9.79	1.85	9.29	1.76	9.11	1.72	8.92	1.68	8.55	1.59	

7. Capacity Tables

Combi.	Outdoor Air Temp.		Indoor Air Temp. (°C, DB)											
			16.0		18.0		20.0		21.0		22.0		24.0	
	(°C, DB)	(°C, WB)	TC	PI	TC	PI	TC	PI	TC	PI	TC	PI	TC	PI
7 + 12 + 12 + 18	-13.7	-15	7.07	2.12	7.02	2.17	6.97	2.21	6.95	2.24	6.92	2.26	6.88	2.31
	-9.5	-10	7.84	2.21	7.79	2.26	7.74	2.31	7.72	2.33	7.70	2.35	7.65	2.40
	-4.4	-5	8.62	2.31	8.57	2.35	8.52	2.40	8.49	2.42	8.47	2.45	8.43	2.50
	0.7	0	9.39	2.40	9.34	2.45	9.29	2.50	9.11	2.43	8.92	2.37	8.55	2.25
	7	6	10.29	2.39	9.79	2.28	9.29	2.17	9.11	2.12	8.92	2.06	8.55	1.95
	11.2	10	10.29	2.19	9.79	2.09	9.29	1.99	9.11	1.94	8.92	1.89	8.55	1.79
	16.3	15	10.29	1.94	9.79	1.85	9.29	1.76	9.11	1.72	8.92	1.68	8.55	1.59
7 + 7 + 1 2 + 24	-13.7	-15	7.07	2.11	7.02	2.16	6.97	2.20	6.95	2.23	6.92	2.25	6.88	2.30
	-9.5	-10	7.84	2.20	7.79	2.25	7.74	2.30	7.72	2.32	7.70	2.34	7.65	2.39
	-4.4	-5	8.62	2.30	8.57	2.34	8.52	2.39	8.49	2.41	8.47	2.44	8.43	2.48
	0.7	0	9.39	2.39	9.34	2.44	9.29	2.48	9.11	2.42	8.92	2.36	8.55	2.24
	7	6	10.29	2.38	9.79	2.27	9.29	2.16	9.11	2.11	8.92	2.05	8.55	1.94
	11.2	10	10.29	2.18	9.79	2.08	9.29	1.98	9.11	1.93	8.92	1.88	8.55	1.78
	16.3	15	10.29	1.93	9.79	1.84	9.29	1.76	9.11	1.71	8.92	1.67	8.55	1.58
7 + 7 + 1 8 + 18	-13.7	-15	7.07	2.08	7.02	2.13	6.97	2.17	6.95	2.20	6.92	2.22	6.88	2.26
	-9.5	-10	7.84	2.17	7.79	2.22	7.74	2.26	7.72	2.29	7.70	2.31	7.65	2.36
	-4.4	-5	8.62	2.26	8.57	2.31	8.52	2.36	8.49	2.38	8.47	2.40	8.43	2.45
	0.7	0	9.39	2.36	9.34	2.40	9.29	2.45	9.11	2.39	8.92	2.33	8.55	2.20
	7	6	10.29	2.34	9.79	2.24	9.29	2.13	9.11	2.08	8.92	2.02	8.55	1.92
	11.2	10	10.29	2.15	9.79	2.05	9.29	1.95	9.11	1.90	8.92	1.86	8.55	1.76
	16.3	15	10.29	1.90	9.79	1.82	9.29	1.73	9.11	1.69	8.92	1.64	8.55	1.56
9 + 9 + 9 + 24	-13.7	-15	7.07	2.11	7.02	2.16	6.97	2.20	6.95	2.23	6.92	2.25	6.88	2.30
	-9.5	-10	7.84	2.20	7.79	2.25	7.74	2.30	7.72	2.32	7.70	2.34	7.65	2.39
	-4.4	-5	8.62	2.30	8.57	2.34	8.52	2.39	8.49	2.41	8.47	2.44	8.43	2.48
	0.7	0	9.39	2.39	9.34	2.44	9.29	2.48	9.11	2.42	8.92	2.36	8.55	2.24
	7	6	10.29	2.38	9.79	2.27	9.29	2.16	9.11	2.11	8.92	2.05	8.55	1.94
	11.2	10	10.29	2.18	9.79	2.08	9.29	1.98	9.11	1.93	8.92	1.88	8.55	1.78
	16.3	15	10.29	1.93	9.79	1.84	9.29	1.76	9.11	1.71	8.92	1.67	8.55	1.58
9 + 12 + 12 + 18	-13.7	-15	7.07	2.11	7.02	2.16	6.97	2.20	6.95	2.23	6.92	2.25	6.88	2.30
	-9.5	-10	7.84	2.20	7.79	2.25	7.74	2.30	7.72	2.32	7.70	2.34	7.65	2.39
	-4.4	-5	8.62	2.30	8.57	2.34	8.52	2.39	8.49	2.41	8.47	2.44	8.43	2.48
	0.7	0	9.39	2.39	9.34	2.44	9.29	2.48	9.11	2.42	8.92	2.36	8.55	2.24
	7	6	10.29	2.38	9.79	2.27	9.29	2.16	9.11	2.11	8.92	2.05	8.55	1.94
	11.2	10	10.29	2.18	9.79	2.08	9.29	1.98	9.11	1.93	8.92	1.88	8.55	1.78
	16.3	15	10.29	1.93	9.79	1.84	9.29	1.76	9.11	1.71	8.92	1.67	8.55	1.58

Note

- DB : Dry bulb temperature(°C), WB : Wet bulb temperature(°C)
- TC : Total capacity(kW)
- PI : Power Input (kW, Compressor + indoor fan motor + outdoor fan motor)
- All capacities are net. A deduction (cooling mode) or an addition (heating mode) of Capacity due to operating heat of indoor unit motor is reflected.
- Capacities are based on the following conditions :
 - Interconnecting Piping Length (Both Main pipe and Branch pipe) is standard length.
 - Difference of Elevation (Outdoor ~ Indoor Unit) is 0 m.
- Direct interpolation is permissible. Do not extrapolate.
- Rated capacities and power inputs are based on standard temperature and piping conditions, and it can be found on specifications table. Except for rated value, the performance is not guaranteed.
- In accordance with the test standard(or nations) and indoor unit's combinations, the rating will vary slightly.

7. Capacity Tables

Z5UW36GFB1

Combi.	Outdoor Air Temp.		Indoor Air Temp. (°C, DB)											
			16.0		18.0		20.0		21.0		22.0		24.0	
	(°C, DB)	(°C, WB)	TC	PI	TC	PI	TC	PI	TC	PI	TC	PI	TC	PI
7 + 7	-13.7	-15	5.00	1.40	4.76	1.35	4.51	1.31	4.42	1.29	4.33	1.27	4.15	1.23
	-9.5	-10	5.00	1.29	4.76	1.25	4.51	1.20	4.42	1.18	4.33	1.16	4.15	1.12
	-4.4	-5	5.00	1.18	4.76	1.14	4.51	1.10	4.42	1.08	4.33	1.05	4.15	1.01
	0.7	0	5.00	1.08	4.76	1.03	4.51	0.99	4.42	0.97	4.33	0.95	4.15	0.90
	7	6	5.00	0.95	4.76	0.90	4.51	0.86	4.42	0.84	4.33	0.82	4.15	0.77
	11.2	10	5.00	0.87	4.76	0.83	4.51	0.79	4.42	0.77	4.33	0.75	4.15	0.71
	16.3	15	5.00	0.77	4.76	0.73	4.51	0.70	4.42	0.68	4.33	0.66	4.15	0.63
7 + 9	-13.7	-15	5.71	1.69	5.43	1.64	5.16	1.59	5.06	1.56	4.95	1.53	4.75	1.48
	-9.5	-10	5.71	1.56	5.43	1.51	5.16	1.46	5.06	1.43	4.95	1.40	4.75	1.35
	-4.4	-5	5.71	1.43	5.43	1.38	5.16	1.33	5.06	1.30	4.95	1.27	4.75	1.22
	0.7	0	5.71	1.30	5.43	1.25	5.16	1.20	5.06	1.17	4.95	1.14	4.75	1.09
	7	6	5.71	1.14	5.43	1.09	5.16	1.04	5.06	1.01	4.95	0.99	4.75	0.94
	11.2	10	5.71	1.05	5.43	1.00	5.16	0.95	5.06	0.93	4.95	0.91	4.75	0.86
	16.3	15	5.71	0.93	5.43	0.89	5.16	0.85	5.06	0.82	4.95	0.80	4.75	0.76
9 + 9	-13.7	-15	6.42	2.03	6.11	1.97	5.80	1.91	5.69	1.88	5.57	1.84	5.34	1.78
	-9.5	-10	6.42	1.88	6.11	1.81	5.80	1.75	5.69	1.72	5.57	1.69	5.34	1.63
	-4.4	-5	6.42	1.72	6.11	1.66	5.80	1.59	5.69	1.56	5.57	1.53	5.34	1.47
	0.7	0	6.42	1.56	6.11	1.50	5.80	1.44	5.69	1.41	5.57	1.38	5.34	1.31
	7	6	6.42	1.38	6.11	1.31	5.80	1.25	5.69	1.22	5.57	1.19	5.34	1.13
	11.2	10	6.42	1.26	6.11	1.20	5.80	1.15	5.69	1.12	5.57	1.09	5.34	1.03
	16.3	15	6.42	1.12	6.11	1.07	5.80	1.02	5.69	0.99	5.57	0.96	5.34	0.91
7 + 12	-13.7	-15	6.78	2.19	6.45	2.13	6.13	2.06	6.00	2.03	5.88	1.99	5.64	1.92
	-9.5	-10	6.78	2.03	6.45	1.96	6.13	1.89	6.00	1.86	5.88	1.82	5.64	1.76
	-4.4	-5	6.78	1.86	6.45	1.79	6.13	1.72	6.00	1.69	5.88	1.65	5.64	1.59
	0.7	0	6.78	1.69	6.45	1.62	6.13	1.55	6.00	1.52	5.88	1.49	5.64	1.42
	7	6	6.78	1.49	6.45	1.42	6.13	1.35	6.00	1.32	5.88	1.28	5.64	1.22
	11.2	10	6.78	1.36	6.45	1.30	6.13	1.24	6.00	1.21	5.88	1.18	5.64	1.11
	16.3	15	6.78	1.21	6.45	1.15	6.13	1.10	6.00	1.07	5.88	1.04	5.64	0.99
9 + 12	-13.7	-15	7.49	2.58	7.13	2.50	6.77	2.42	6.63	2.39	6.50	2.35	6.23	2.27
	-9.5	-10	7.49	2.39	7.13	2.31	6.77	2.23	6.63	2.19	6.50	2.15	6.23	2.07
	-4.4	-5	7.49	2.19	7.13	2.11	6.77	2.03	6.63	1.99	6.50	1.95	6.23	1.87
	0.7	0	7.49	1.99	7.13	1.91	6.77	1.83	6.63	1.79	6.50	1.75	6.23	1.67
	7	6	7.49	1.75	7.13	1.67	6.77	1.59	6.63	1.55	6.50	1.51	6.23	1.43
	11.2	10	7.49	1.60	7.13	1.53	6.77	1.46	6.63	1.42	6.50	1.38	6.23	1.31
	16.3	15	7.49	1.42	7.13	1.36	6.77	1.29	6.63	1.26	6.50	1.23	6.23	1.16
12 + 12	-13.7	-15	7.92	2.64	7.86	2.70	7.74	2.76	7.58	2.79	7.43	2.82	7.12	2.82
	-9.5	-10	8.57	2.76	8.15	2.82	7.74	2.77	7.58	2.72	7.43	2.67	7.12	2.57
	-4.4	-5	8.57	2.72	8.15	2.62	7.74	2.52	7.58	2.48	7.43	2.43	7.12	2.33
	0.7	0	8.57	2.48	8.15	2.38	7.74	2.28	7.58	2.23	7.43	2.18	7.12	2.08
	7	6	8.57	2.18	8.15	2.08	7.74	1.98	7.58	1.93	7.43	1.88	7.12	1.78
	11.2	10	8.57	2.00	8.15	1.91	7.74	1.82	7.58	1.77	7.43	1.72	7.12	1.63
	16.3	15	8.57	1.77	8.15	1.69	7.74	1.61	7.58	1.57	7.43	1.53	7.12	1.45
7 + 18	-13.7	-15	7.94	2.65	7.88	2.71	7.83	2.77	7.80	2.80	7.74	2.82	7.42	2.88
	-9.5	-10	8.81	2.77	8.49	2.82	8.06	2.88	7.90	2.83	7.74	2.78	7.42	2.68
	-4.4	-5	8.92	2.83	8.49	2.73	8.06	2.63	7.90	2.58	7.74	2.52	7.42	2.42
	0.7	0	8.92	2.58	8.49	2.47	8.06	2.37	7.90	2.32	7.74	2.27	7.42	2.16

7. Capacity Tables

Combi.	Outdoor Air Temp.		Indoor Air Temp. (°C, DB)											
			16.0		18.0		20.0		21.0		22.0		24.0	
	(°C, DB)	(°C, WB)	TC	PI	TC	PI	TC	PI	TC	PI	TC	PI	TC	PI
7 + 18	7	6	8.92	2.27	8.49	2.16	8.06	2.06	7.90	2.01	7.74	1.96	7.42	1.85
	11.2	10	8.92	2.08	8.49	1.98	8.06	1.89	7.90	1.84	7.74	1.79	7.42	1.70
	16.3	15	8.92	1.84	8.49	1.76	8.06	1.67	7.90	1.63	7.74	1.59	7.42	1.51
9 + 18	-13.7	-15	7.99	2.66	7.93	2.72	7.88	2.78	7.85	2.81	7.82	2.84	7.77	2.90
	-9.5	-10	8.86	2.78	8.81	2.84	8.70	2.90	8.53	2.93	8.36	2.96	8.01	3.02
	-4.4	-5	9.64	2.90	9.17	2.96	8.70	3.01	8.53	2.95	8.36	2.89	8.01	2.77
	0.7	0	9.64	2.95	9.17	2.83	8.70	2.71	8.53	2.66	8.36	2.60	8.01	2.48
	7	6	9.64	2.60	9.17	2.48	8.70	2.36	8.53	2.30	8.36	2.24	8.01	2.12
	11.2	10	9.64	2.38	9.17	2.27	8.70	2.16	8.53	2.11	8.36	2.06	8.01	1.95
12 + 18	-13.7	-15	8.06	2.74	8.01	2.81	7.95	2.87	7.92	2.90	7.90	2.93	7.85	2.99
	-9.5	-10	8.95	2.87	8.89	2.93	8.83	2.99	8.81	3.02	8.78	3.05	8.73	3.11
	-4.4	-5	9.83	2.99	9.77	3.05	9.67	3.11	9.48	3.14	9.29	3.17	8.90	3.23
	0.7	0	10.71	3.11	10.19	3.17	9.67	3.23	9.48	3.15	9.29	3.07	8.90	2.91
	7	6	10.71	3.09	10.19	2.95	9.67	2.81	9.48	2.74	9.29	2.67	8.90	2.53
	11.2	10	10.71	2.83	10.19	2.71	9.67	2.58	9.48	2.51	9.29	2.45	8.90	2.32
7 + 24	-13.7	-15	8.09	2.92	8.03	2.99	7.97	3.05	7.95	3.08	7.92	3.11	7.87	3.18
	-9.5	-10	8.97	3.05	8.92	3.11	8.86	3.18	8.83	3.21	8.81	3.24	8.76	3.31
	-4.4	-5	9.86	3.18	9.80	3.24	9.74	3.31	9.72	3.34	9.59	3.37	9.20	3.44
	0.7	0	10.74	3.31	10.53	3.37	9.99	3.44	9.79	3.35	9.59	3.27	9.20	3.10
	7	6	11.06	3.29	10.53	3.14	9.99	2.99	9.79	2.92	9.59	2.84	9.20	2.69
	11.2	10	11.06	3.02	10.53	2.88	9.99	2.74	9.79	2.67	9.59	2.60	9.20	2.47
9 + 24	-13.7	-15	8.14	3.29	8.08	3.36	8.02	3.44	7.99	3.47	7.97	3.51	7.92	3.58
	-9.5	-10	9.03	3.44	8.97	3.51	8.91	3.58	8.89	3.62	8.86	3.66	8.81	3.73
	-4.4	-5	9.92	3.58	9.86	3.66	9.80	3.73	9.78	3.77	9.75	3.80	9.70	3.88
	0.7	0	10.81	3.73	10.75	3.80	10.64	3.88	10.43	3.78	10.21	3.68	9.79	3.49
	7	6	11.78	3.71	11.21	3.54	10.64	3.37	10.43	3.29	10.21	3.20	9.79	3.03
	11.2	10	11.78	3.40	11.21	3.24	10.64	3.09	10.43	3.01	10.21	2.93	9.79	2.78
18 + 18	-13.7	-15	8.14	3.22	8.08	3.29	8.02	3.37	8.00	3.40	7.97	3.44	7.92	3.51
	-9.5	-10	9.03	3.37	8.97	3.44	8.92	3.51	8.89	3.54	8.87	3.58	8.81	3.65
	-4.4	-5	9.92	3.51	9.87	3.58	9.81	3.65	9.78	3.69	9.76	3.72	9.71	3.79
	0.7	0	10.82	3.65	10.76	3.72	10.70	3.79	10.48	3.70	10.27	3.61	9.84	3.42
	7	6	11.84	3.63	11.27	3.47	10.70	3.30	10.48	3.22	10.27	3.14	9.84	2.97
	11.2	10	11.84	3.33	11.27	3.18	10.70	3.03	10.48	2.95	10.27	2.87	9.84	2.72
12 + 24	-13.7	-15	8.14	3.33	8.08	3.40	8.02	3.48	8.00	3.52	7.97	3.55	7.92	3.63
	-9.5	-10	9.03	3.48	8.97	3.55	8.92	3.63	8.89	3.66	8.87	3.70	8.81	3.77
	-4.4	-5	9.92	3.63	9.87	3.70	9.81	3.77	9.78	3.81	9.76	3.85	9.71	3.92
	0.7	0	10.82	3.77	10.76	3.85	10.70	3.92	10.48	3.82	10.27	3.73	9.84	3.53
	7	6	11.84	3.75	11.27	3.58	10.70	3.41	10.48	3.32	10.27	3.24	9.84	3.07
	11.2	10	11.84	3.44	11.27	3.28	10.70	3.13	10.48	3.05	10.27	2.97	9.84	2.81
18 + 24	-13.7	-15	8.14	3.20	8.08	3.27	8.02	3.35	8.00	3.38	7.97	3.42	7.92	3.49
	-9.5	-10	9.03	3.35	8.97	3.42	8.92	3.49	8.89	3.52	8.87	3.56	8.81	3.63

7. Capacity Tables

Combi.	Outdoor Air Temp.		Indoor Air Temp. (°C, DB)											
			16.0		18.0		20.0		21.0		22.0		24.0	
	(°C, DB)	(°C, WB)	TC	PI	TC	PI	TC	PI	TC	PI	TC	PI	TC	PI
18 + 24	-4.4	-5	9.92	3.49	9.87	3.56	9.81	3.63	9.78	3.67	9.76	3.70	9.71	3.77
	0.7	0	10.82	3.63	10.76	3.70	10.70	3.77	10.48	3.68	10.27	3.58	9.84	3.40
	7	6	11.84	3.61	11.27	3.44	10.70	3.28	10.48	3.20	10.27	3.12	9.84	2.95
	11.2	10	11.84	3.31	11.27	3.16	10.70	3.01	10.48	2.93	10.27	2.86	9.84	2.71
	16.3	15	11.84	2.93	11.27	2.80	10.70	2.67	10.48	2.60	10.27	2.53	9.84	2.40
24 + 24	-13.7	-15	8.14	3.17	8.08	3.24	8.02	3.32	8.00	3.35	7.97	3.39	7.92	3.46
	-9.5	-10	9.03	3.32	8.97	3.39	8.92	3.46	8.89	3.49	8.87	3.53	8.81	3.60
	-4.4	-5	9.92	3.46	9.87	3.53	9.81	3.60	9.78	3.63	9.76	3.67	9.71	3.74
	0.7	0	10.82	3.60	10.76	3.67	10.70	3.74	10.48	3.64	10.27	3.55	9.84	3.36
	7	6	11.84	3.58	11.27	3.41	10.70	3.25	10.48	3.17	10.27	3.09	9.84	2.93
	11.2	10	11.84	3.28	11.27	3.13	10.70	2.98	10.48	2.90	10.27	2.83	9.84	2.68
7 + 7 + 7	16.3	15	11.84	2.91	11.27	2.77	10.70	2.64	10.48	2.57	10.27	2.51	9.84	2.38
	-13.7	-15	7.49	2.34	7.13	2.27	6.77	2.20	6.63	2.16	6.50	2.12	6.23	2.05
	-9.5	-10	7.49	2.16	7.13	2.09	6.77	2.02	6.63	1.98	6.50	1.94	6.23	1.87
	-4.4	-5	7.49	1.98	7.13	1.91	6.77	1.84	6.63	1.80	6.50	1.76	6.23	1.69
	0.7	0	7.49	1.80	7.13	1.73	6.77	1.66	6.63	1.62	6.50	1.58	6.23	1.51
	7	6	7.49	1.58	7.13	1.51	6.77	1.44	6.63	1.40	6.50	1.37	6.23	1.30
	11.2	10	7.49	1.45	7.13	1.39	6.77	1.32	6.63	1.29	6.50	1.25	6.23	1.19
7 + 7 + 9	16.3	15	7.49	1.29	7.13	1.23	6.77	1.17	6.63	1.14	6.50	1.11	6.23	1.05
	-13.7	-15	7.89	2.63	7.81	2.58	7.42	2.50	7.27	2.46	7.12	2.42	6.82	2.34
	-9.5	-10	8.21	2.46	7.81	2.38	7.42	2.30	7.27	2.26	7.12	2.21	6.82	2.13
	-4.4	-5	8.21	2.26	7.81	2.17	7.42	2.09	7.27	2.05	7.12	2.01	6.82	1.93
	0.7	0	8.21	2.05	7.81	1.97	7.42	1.89	7.27	1.85	7.12	1.80	6.82	1.72
	7	6	8.21	1.80	7.81	1.72	7.42	1.64	7.27	1.60	7.12	1.56	6.82	1.48
7 + 9 + 9	11.2	10	8.21	1.65	7.81	1.58	7.42	1.50	7.27	1.47	7.12	1.43	6.82	1.35
	16.3	15	8.21	1.47	7.81	1.40	7.42	1.33	7.27	1.30	7.12	1.27	6.82	1.20
	-13.7	-15	7.94	2.65	7.88	2.71	7.83	2.77	7.80	2.79	7.74	2.74	7.42	2.65
	-9.5	-10	8.81	2.77	8.49	2.70	8.06	2.60	7.90	2.56	7.74	2.51	7.42	2.42
	-4.4	-5	8.92	2.56	8.49	2.46	8.06	2.37	7.90	2.33	7.74	2.28	7.42	2.19
	0.7	0	8.92	2.33	8.49	2.23	8.06	2.14	7.90	2.09	7.74	2.05	7.42	1.95
	7	6	8.92	2.05	8.49	1.95	8.06	1.86	7.90	1.81	7.74	1.77	7.42	1.67
7 + 7 + 1 2	11.2	10	8.92	1.88	8.49	1.79	8.06	1.71	7.90	1.66	7.74	1.62	7.42	1.53
	16.3	15	8.92	1.66	8.49	1.59	8.06	1.51	7.90	1.47	7.74	1.44	7.42	1.36
	-13.7	-15	7.96	2.66	7.91	2.72	7.85	2.77	7.83	2.80	7.80	2.83	7.71	2.81
	-9.5	-10	8.84	2.77	8.78	2.83	8.38	2.76	8.21	2.71	8.05	2.66	7.71	2.56
	-4.4	-5	9.28	2.71	8.83	2.61	8.38	2.51	8.21	2.46	8.05	2.41	7.71	2.32
	0.7	0	9.28	2.46	8.83	2.36	8.38	2.27	8.21	2.22	8.05	2.17	7.71	2.07
	7	6	9.28	2.17	8.83	2.07	8.38	1.97	8.21	1.92	8.05	1.87	7.71	1.77
9 + 9 + 9	11.2	10	9.28	1.99	8.83	1.90	8.38	1.81	8.21	1.76	8.05	1.72	7.71	1.63
	16.3	15	9.28	1.76	8.83	1.68	8.38	1.60	8.21	1.56	8.05	1.52	7.71	1.44
	-13.7	-15	7.99	2.66	7.93	2.72	7.88	2.78	7.85	2.81	7.82	2.84	7.77	2.90
	-9.5	-10	8.86	2.78	8.81	2.84	8.70	2.90	8.53	2.87	8.36	2.82	8.01	2.72
	-4.4	-5	9.64	2.87	9.17	2.77	8.70	2.66	8.53	2.61	8.36	2.56	8.01	2.46
	0.7	0	9.64	2.61	9.17	2.51	8.70	2.40	8.53	2.35	8.36	2.30	8.01	2.19
9 + 9 + 9	7	6	9.64	2.30	9.17	2.19	8.70	2.09	8.53	2.04	8.36	1.99	8.01	1.88
	11.2	10	9.64	2.11	9.17	2.01	8.70	1.92	8.53	1.87	8.36	1.82	8.01	1.72
9 + 9 + 9	16.3	15	9.64	1.87	9.17	1.78	8.70	1.70	8.53	1.66	8.36	1.61	8.01	1.53

7. Capacity Tables

Combi.	Outdoor Air Temp.		Indoor Air Temp. (°C, DB)											
			16.0		18.0		20.0		21.0		22.0		24.0	
	(°C, DB)	(°C, WB)	TC	PI	TC	PI	TC	PI	TC	PI	TC	PI	TC	PI
7 + 9 + 1 2	-13.7	-15	8.01	2.67	7.96	2.73	7.90	2.79	7.87	2.82	7.85	2.85	7.80	2.91
	-9.5	-10	8.89	2.79	8.83	2.85	8.78	2.91	8.75	2.94	8.67	2.97	8.31	2.89
	-4.4	-5	9.77	2.91	9.51	2.94	9.03	2.83	8.85	2.78	8.67	2.72	8.31	2.61
	0.7	0	9.99	2.78	9.51	2.66	9.03	2.55	8.85	2.50	8.67	2.44	8.31	2.33
	7	6	9.99	2.44	9.51	2.33	9.03	2.22	8.85	2.16	8.67	2.11	8.31	2.00
	11.2	10	9.99	2.24	9.51	2.14	9.03	2.04	8.85	1.98	8.67	1.93	8.31	1.83
	16.3	15	9.99	1.98	9.51	1.89	9.03	1.80	8.85	1.76	8.67	1.71	8.31	1.62
9 + 9 + 1 2	-13.7	-15	8.06	2.69	8.01	2.75	7.95	2.81	7.92	2.84	7.90	2.87	7.85	2.93
	-9.5	-10	8.95	2.81	8.89	2.87	8.83	2.93	8.81	2.96	8.78	2.99	8.73	3.05
	-4.4	-5	9.83	2.93	9.77	2.99	9.67	3.05	9.48	3.08	9.29	3.03	8.90	2.90
	0.7	0	10.71	3.05	10.19	2.96	9.67	2.84	9.48	2.78	9.29	2.72	8.90	2.59
	7	6	10.71	2.72	10.19	2.59	9.67	2.47	9.48	2.41	9.29	2.35	8.90	2.22
	11.2	10	10.71	2.49	10.19	2.38	9.67	2.26	9.48	2.21	9.29	2.15	8.90	2.04
	16.3	15	10.71	2.21	10.19	2.11	9.67	2.01	9.48	1.96	9.29	1.91	8.90	1.81
7 + 12 + 12	-13.7	-15	8.09	2.70	8.03	2.76	7.97	2.82	7.95	2.85	7.92	2.88	7.87	2.94
	-9.5	-10	8.97	2.82	8.92	2.88	8.86	2.94	8.83	2.97	8.81	3.00	8.76	3.06
	-4.4	-5	9.86	2.94	9.80	3.00	9.74	3.06	9.72	3.09	9.59	3.12	9.20	3.07
	0.7	0	10.74	3.06	10.53	3.12	9.99	3.00	9.79	2.94	9.59	2.87	9.20	2.74
	7	6	11.06	2.87	10.53	2.74	9.99	2.61	9.79	2.54	9.59	2.48	9.20	2.35
	11.2	10	11.06	2.63	10.53	2.51	9.99	2.39	9.79	2.33	9.59	2.27	9.20	2.15
	16.3	15	11.06	2.33	10.53	2.23	9.99	2.12	9.79	2.07	9.59	2.01	9.20	1.91
7 + 7 + 1 8	-13.7	-15	8.11	2.71	8.05	2.77	8.00	2.83	7.97	2.86	7.94	2.89	7.89	2.95
	-9.5	-10	9.00	2.83	8.94	2.89	8.88	2.95	8.86	2.98	8.83	3.01	8.78	3.07
	-4.4	-5	9.89	2.95	9.83	3.01	9.77	3.07	9.75	3.10	9.72	3.13	9.49	3.16
	0.7	0	10.78	3.07	10.72	3.13	10.32	3.09	10.11	3.03	9.90	2.96	9.49	2.82
	7	6	11.42	2.96	10.87	2.83	10.32	2.69	10.11	2.62	9.90	2.56	9.49	2.42
	11.2	10	11.42	2.71	10.87	2.59	10.32	2.47	10.11	2.40	9.90	2.34	9.49	2.22
	16.3	15	11.42	2.41	10.87	2.30	10.32	2.19	10.11	2.13	9.90	2.08	9.49	1.97
9 + 12 + 12	-13.7	-15	8.14	2.83	8.08	2.90	8.02	2.96	7.99	2.99	7.97	3.02	7.92	3.08
	-9.5	-10	9.03	2.96	8.97	3.02	8.91	3.08	8.89	3.12	8.86	3.15	8.81	3.21
	-4.4	-5	9.92	3.08	9.86	3.15	9.80	3.21	9.78	3.24	9.75	3.27	9.70	3.33
	0.7	0	10.81	3.21	10.75	3.27	10.64	3.33	10.43	3.25	10.21	3.17	9.79	3.00
	7	6	11.78	3.19	11.21	3.05	10.64	2.90	10.43	2.83	10.21	2.76	9.79	2.61
	11.2	10	11.78	2.93	11.21	2.79	10.64	2.66	10.43	2.59	10.21	2.53	9.79	2.39
	16.3	15	11.78	2.59	11.21	2.47	10.64	2.36	10.43	2.30	10.21	2.24	9.79	2.12
7 + 9 + 1 8	-13.7	-15	8.14	2.79	8.08	2.86	8.02	2.92	8.00	2.95	7.97	2.98	7.92	3.04
	-9.5	-10	9.03	2.92	8.97	2.98	8.92	3.04	8.89	3.07	8.87	3.10	8.81	3.17
	-4.4	-5	9.92	3.04	9.87	3.10	9.81	3.17	9.78	3.20	9.76	3.23	9.71	3.29
	0.7	0	10.82	3.17	10.76	3.23	10.70	3.29	10.48	3.21	10.27	3.12	9.84	2.96
	7	6	11.84	3.15	11.27	3.00	10.70	2.86	10.48	2.79	10.27	2.72	9.84	2.57
	11.2	10	11.84	2.88	11.27	2.75	10.70	2.62	10.48	2.56	10.27	2.49	9.84	2.36
	16.3	15	11.84	2.56	11.27	2.44	10.70	2.32	10.48	2.27	10.27	2.21	9.84	2.09
9 + 9 + 1 8	-13.7	-15	8.14	2.79	8.08	2.86	8.02	2.92	8.00	2.95	7.97	2.98	7.92	3.04
	-9.5	-10	9.03	2.92	8.97	2.98	8.92	3.04	8.89	3.07	8.87	3.10	8.81	3.17
	-4.4	-5	9.92	3.04	9.87	3.10	9.81	3.17	9.78	3.20	9.76	3.23	9.71	3.29
	0.7	0	10.82	3.17	10.76	3.23	10.70	3.29	10.48	3.21	10.27	3.12	9.84	2.96
	7	6	11.84	3.15	11.27	3.00	10.70	2.86	10.48	2.79	10.27	2.72	9.84	2.57

7. Capacity Tables

Combi.	Outdoor Air Temp.		Indoor Air Temp. (°C, DB)											
			16.0		18.0		20.0		21.0		22.0		24.0	
	(°C, DB)	(°C, WB)	TC	PI	TC	PI	TC	PI	TC	PI	TC	PI	TC	PI
9 + 9 + 1 8	11.2	10	11.84	2.88	11.27	2.75	10.70	2.62	10.48	2.56	10.27	2.49	9.84	2.36
	16.3	15	11.84	2.56	11.27	2.44	10.70	2.32	10.48	2.27	10.27	2.21	9.84	2.09
12 + 12 + 12	-13.7	-15	8.14	2.84	8.08	2.91	8.02	2.97	8.00	3.00	7.97	3.03	7.92	3.09
	-9.5	-10	9.03	2.97	8.97	3.03	8.92	3.09	8.89	3.13	8.87	3.16	8.81	3.22
	-4.4	-5	9.92	3.09	9.87	3.16	9.81	3.22	9.78	3.25	9.76	3.28	9.71	3.35
	0.7	0	10.82	3.22	10.76	3.28	10.70	3.35	10.48	3.26	10.27	3.18	9.84	3.01
	7	6	11.84	3.20	11.27	3.06	10.70	2.91	10.48	2.84	10.27	2.76	9.84	2.62
	11.2	10	11.84	2.94	11.27	2.80	10.70	2.67	10.48	2.60	10.27	2.53	9.84	2.40
	16.3	15	11.84	2.60	11.27	2.48	10.70	2.36	10.48	2.31	10.27	2.25	9.84	2.13
7 + 12 + 18	-13.7	-15	8.14	2.78	8.08	2.85	8.02	2.91	8.00	2.94	7.97	2.97	7.92	3.03
	-9.5	-10	9.03	2.91	8.97	2.97	8.92	3.03	8.89	3.06	8.87	3.09	8.81	3.15
	-4.4	-5	9.92	3.03	9.87	3.09	9.81	3.15	9.78	3.18	9.76	3.22	9.71	3.28
	0.7	0	10.82	3.15	10.76	3.22	10.70	3.28	10.48	3.20	10.27	3.11	9.84	2.95
	7	6	11.84	3.14	11.27	2.99	10.70	2.85	10.48	2.78	10.27	2.71	9.84	2.57
	11.2	10	11.84	2.87	11.27	2.74	10.70	2.61	10.48	2.55	10.27	2.48	9.84	2.35
	16.3	15	11.84	2.55	11.27	2.43	10.70	2.32	10.48	2.26	10.27	2.20	9.84	2.08
7 + 7 + 2 4	-13.7	-15	8.14	2.78	8.08	2.85	8.02	2.91	8.00	2.94	7.97	2.97	7.92	3.03
	-9.5	-10	9.03	2.91	8.97	2.97	8.92	3.03	8.89	3.06	8.87	3.09	8.81	3.15
	-4.4	-5	9.92	3.03	9.87	3.09	9.81	3.15	9.78	3.18	9.76	3.22	9.71	3.28
	0.7	0	10.82	3.15	10.76	3.22	10.70	3.28	10.48	3.20	10.27	3.11	9.84	2.95
	7	6	11.84	3.14	11.27	2.99	10.70	2.85	10.48	2.78	10.27	2.71	9.84	2.57
	11.2	10	11.84	2.87	11.27	2.74	10.70	2.61	10.48	2.55	10.27	2.48	9.84	2.35
	16.3	15	11.84	2.55	11.27	2.43	10.70	2.32	10.48	2.26	10.27	2.20	9.84	2.08
9 + 12 + 18	-13.7	-15	8.14	2.77	8.08	2.84	8.02	2.90	8.00	2.93	7.97	2.96	7.92	3.02
	-9.5	-10	9.03	2.90	8.97	2.96	8.92	3.02	8.89	3.05	8.87	3.08	8.81	3.14
	-4.4	-5	9.92	3.02	9.87	3.08	9.81	3.14	9.78	3.17	9.76	3.20	9.71	3.27
	0.7	0	10.82	3.14	10.76	3.20	10.70	3.27	10.48	3.18	10.27	3.10	9.84	2.94
	7	6	11.84	3.13	11.27	2.98	10.70	2.84	10.48	2.77	10.27	2.70	9.84	2.56
	11.2	10	11.84	2.86	11.27	2.73	10.70	2.60	10.48	2.54	10.27	2.47	9.84	2.34
	16.3	15	11.84	2.54	11.27	2.42	10.70	2.31	10.48	2.25	10.27	2.19	9.84	2.08
7 + 9 + 2 4	-13.7	-15	8.14	2.77	8.08	2.84	8.02	2.90	8.00	2.93	7.97	2.96	7.92	3.02
	-9.5	-10	9.03	2.90	8.97	2.96	8.92	3.02	8.89	3.05	8.87	3.08	8.81	3.14
	-4.4	-5	9.92	3.02	9.87	3.08	9.81	3.14	9.78	3.17	9.76	3.20	9.71	3.27
	0.7	0	10.82	3.14	10.76	3.20	10.70	3.27	10.48	3.18	10.27	3.10	9.84	2.94
	7	6	11.84	3.13	11.27	2.98	10.70	2.84	10.48	2.77	10.27	2.70	9.84	2.56
	11.2	10	11.84	2.86	11.27	2.73	10.70	2.60	10.48	2.54	10.27	2.47	9.84	2.34
	16.3	15	11.84	2.54	11.27	2.42	10.70	2.31	10.48	2.25	10.27	2.19	9.84	2.08
9 + 9 + 2 4	-13.7	-15	8.14	2.76	8.08	2.83	8.02	2.89	8.00	2.92	7.97	2.95	7.92	3.01
	-9.5	-10	9.03	2.89	8.97	2.95	8.92	3.01	8.89	3.04	8.87	3.07	8.81	3.13
	-4.4	-5	9.92	3.01	9.87	3.07	9.81	3.13	9.78	3.16	9.76	3.19	9.71	3.25
	0.7	0	10.82	3.13	10.76	3.19	10.70	3.25	10.48	3.17	10.27	3.09	9.84	2.93
	7	6	11.84	3.11	11.27	2.97	10.70	2.83	10.48	2.76	10.27	2.69	9.84	2.55
	11.2	10	11.84	2.85	11.27	2.72	10.70	2.59	10.48	2.53	10.27	2.46	9.84	2.34
	16.3	15	11.84	2.53	11.27	2.41	10.70	2.30	10.48	2.24	10.27	2.18	9.84	2.07
12 + 12 + 18	-13.7	-15	8.14	2.76	8.08	2.83	8.02	2.89	8.00	2.92	7.97	2.95	7.92	3.01
	-9.5	-10	9.03	2.89	8.97	2.95	8.92	3.01	8.89	3.04	8.87	3.07	8.81	3.13
	-4.4	-5	9.92	3.01	9.87	3.07	9.81	3.13	9.78	3.16	9.76	3.19	9.71	3.25

7. Capacity Tables

Combi.	Outdoor Air Temp.		Indoor Air Temp. (°C, DB)											
			16.0		18.0		20.0		21.0		22.0		24.0	
	(°C, DB)	(°C, WB)	TC	PI	TC	PI	TC	PI	TC	PI	TC	PI	TC	PI
12 + 12 + 18	0.7	0	10.82	3.13	10.76	3.19	10.70	3.25	10.48	3.17	10.27	3.09	9.84	2.93
	7	6	11.84	3.11	11.27	2.97	10.70	2.83	10.48	2.76	10.27	2.69	9.84	2.55
	11.2	10	11.84	2.85	11.27	2.72	10.70	2.59	10.48	2.53	10.27	2.46	9.84	2.34
	16.3	15	11.84	2.53	11.27	2.41	10.70	2.30	10.48	2.24	10.27	2.18	9.84	2.07
7 + 12 + 24	-13.7	-15	8.14	2.76	8.08	2.83	8.02	2.89	8.00	2.92	7.97	2.95	7.92	3.01
	-9.5	-10	9.03	2.89	8.97	2.95	8.92	3.01	8.89	3.04	8.87	3.07	8.81	3.13
	-4.4	-5	9.92	3.01	9.87	3.07	9.81	3.13	9.78	3.16	9.76	3.19	9.71	3.25
	0.7	0	10.82	3.13	10.76	3.19	10.70	3.25	10.48	3.17	10.27	3.09	9.84	2.93
	7	6	11.84	3.11	11.27	2.97	10.70	2.83	10.48	2.76	10.27	2.69	9.84	2.55
	11.2	10	11.84	2.85	11.27	2.72	10.70	2.59	10.48	2.53	10.27	2.46	9.84	2.34
	16.3	15	11.84	2.53	11.27	2.41	10.70	2.30	10.48	2.24	10.27	2.18	9.84	2.07
7 + 18 + 18	-13.7	-15	8.14	2.72	8.08	2.78	8.02	2.84	8.00	2.87	7.97	2.90	7.92	2.96
	-9.5	-10	9.03	2.84	8.97	2.90	8.92	2.96	8.89	2.99	8.87	3.02	8.81	3.08
	-4.4	-5	9.92	2.96	9.87	3.02	9.81	3.08	9.78	3.11	9.76	3.14	9.71	3.20
	0.7	0	10.82	3.08	10.76	3.14	10.70	3.19	10.48	3.12	10.27	3.04	9.84	2.88
	7	6	11.84	3.05	11.27	2.91	10.70	2.77	10.48	2.70	10.27	2.63	9.84	2.49
	11.2	10	11.84	2.79	11.27	2.67	10.70	2.54	10.48	2.48	10.27	2.41	9.84	2.29
	16.3	15	11.84	2.48	11.27	2.36	10.70	2.25	10.48	2.19	10.27	2.14	9.84	2.03
9 + 12 + 24	-13.7	-15	8.14	2.75	8.08	2.82	8.02	2.88	8.00	2.91	7.97	2.94	7.92	3.00
	-9.5	-10	9.03	2.88	8.97	2.94	8.92	3.00	8.89	3.03	8.87	3.06	8.81	3.12
	-4.4	-5	9.92	3.00	9.87	3.06	9.81	3.12	9.78	3.15	9.76	3.18	9.71	3.24
	0.7	0	10.82	3.12	10.76	3.18	10.70	3.24	10.48	3.16	10.27	3.08	9.84	2.92
	7	6	11.84	3.10	11.27	2.96	10.70	2.82	10.48	2.75	10.27	2.68	9.84	2.54
	11.2	10	11.84	2.84	11.27	2.71	10.70	2.59	10.48	2.52	10.27	2.46	9.84	2.33
	16.3	15	11.84	2.52	11.27	2.41	10.70	2.29	10.48	2.23	10.27	2.18	9.84	2.06
9 + 18 + 18	-13.7	-15	8.14	2.72	8.08	2.78	8.02	2.84	8.00	2.87	7.97	2.90	7.92	2.96
	-9.5	-10	9.03	2.84	8.97	2.90	8.92	2.96	8.89	2.99	8.87	3.02	8.81	3.08
	-4.4	-5	9.92	2.96	9.87	3.02	9.81	3.08	9.78	3.11	9.76	3.14	9.71	3.20
	0.7	0	10.82	3.08	10.76	3.14	10.70	3.17	10.48	3.11	10.27	3.04	9.84	2.88
	7	6	11.84	3.04	11.27	2.90	10.70	2.76	10.48	2.69	10.27	2.62	9.84	2.48
	11.2	10	11.84	2.78	11.27	2.66	10.70	2.53	10.48	2.47	10.27	2.40	9.84	2.28
	16.3	15	11.84	2.47	11.27	2.36	10.70	2.24	10.48	2.19	10.27	2.13	9.84	2.02
12 + 12 + 24	-13.7	-15	8.14	2.73	8.08	2.80	8.02	2.86	8.00	2.89	7.97	2.92	7.92	2.98
	-9.5	-10	9.03	2.86	8.97	2.92	8.92	2.98	8.89	3.01	8.87	3.04	8.81	3.10
	-4.4	-5	9.92	2.98	9.87	3.04	9.81	3.10	9.78	3.13	9.76	3.16	9.71	3.22
	0.7	0	10.82	3.10	10.76	3.16	10.70	3.22	10.48	3.14	10.27	3.06	9.84	2.90
	7	6	11.84	3.08	11.27	2.94	10.70	2.80	10.48	2.73	10.27	2.66	9.84	2.52
	11.2	10	11.84	2.82	11.27	2.70	10.70	2.57	10.48	2.50	10.27	2.44	9.84	2.31
	16.3	15	11.84	2.50	11.27	2.39	10.70	2.28	10.48	2.22	10.27	2.16	9.84	2.05
12 + 18 + 18	-13.7	-15	8.14	2.72	8.08	2.78	8.02	2.84	8.00	2.87	7.97	2.90	7.92	2.96
	-9.5	-10	9.03	2.84	8.97	2.90	8.92	2.96	8.89	2.99	8.87	3.02	8.81	3.08
	-4.4	-5	9.92	2.96	9.87	3.02	9.81	3.08	9.78	3.11	9.76	3.14	9.71	3.20
	0.7	0	10.82	3.08	10.76	3.14	10.70	3.16	10.48	3.09	10.27	3.03	9.84	2.88
	7	6	11.84	3.03	11.27	2.89	10.70	2.75	10.48	2.68	10.27	2.61	9.84	2.48
	11.2	10	11.84	2.77	11.27	2.65	10.70	2.52	10.48	2.46	10.27	2.39	9.84	2.27
	16.3	15	11.84	2.46	11.27	2.35	10.70	2.23	10.48	2.18	10.27	2.12	9.84	2.01
7 + 18 + 24	-13.7	-15	8.14	2.72	8.08	2.78	8.02	2.84	8.00	2.87	7.97	2.90	7.92	2.96

7. Capacity Tables

Combi.	Outdoor Air Temp.		Indoor Air Temp. (°C, DB)											
			16.0		18.0		20.0		21.0		22.0		24.0	
	(°C, DB)	(°C, WB)	TC	PI	TC	PI	TC	PI	TC	PI	TC	PI	TC	PI
7 + 18 + 24	-9.5	-10	9.03	2.84	8.97	2.90	8.92	2.96	8.89	2.99	8.87	3.02	8.81	3.08
	-4.4	-5	9.92	2.96	9.87	3.02	9.81	3.08	9.78	3.11	9.76	3.14	9.71	3.20
	0.7	0	10.82	3.08	10.76	3.14	10.70	3.15	10.48	3.08	10.27	3.01	9.84	2.88
	7	6	11.84	3.02	11.27	2.88	10.70	2.74	10.48	2.67	10.27	2.60	9.84	2.47
	11.2	10	11.84	2.76	11.27	2.64	10.70	2.51	10.48	2.45	10.27	2.39	9.84	2.26
	16.3	15	11.84	2.45	11.27	2.34	10.70	2.23	10.48	2.17	10.27	2.12	9.84	2.00
9 + 18 + 24	-13.7	-15	8.14	2.72	8.08	2.78	8.02	2.84	8.00	2.87	7.97	2.90	7.92	2.96
	-9.5	-10	9.03	2.84	8.97	2.90	8.92	2.96	8.89	2.99	8.87	3.02	8.81	3.08
	-4.4	-5	9.92	2.96	9.87	3.02	9.81	3.08	9.78	3.11	9.76	3.14	9.71	3.20
	0.7	0	10.82	3.08	10.76	3.14	10.70	3.15	10.48	3.08	10.27	3.01	9.84	2.88
	7	6	11.84	3.02	11.27	2.88	10.70	2.74	10.48	2.67	10.27	2.60	9.84	2.47
	11.2	10	11.84	2.76	11.27	2.64	10.70	2.51	10.48	2.45	10.27	2.39	9.84	2.26
12 + 18 + 24	-13.7	-15	8.14	2.72	8.08	2.78	8.02	2.84	8.00	2.87	7.97	2.90	7.92	2.96
	-9.5	-10	9.03	2.84	8.97	2.90	8.92	2.96	8.89	2.99	8.87	3.02	8.81	3.08
	-4.4	-5	9.92	2.96	9.87	3.02	9.81	3.08	9.78	3.11	9.76	3.14	9.71	3.20
	0.7	0	10.82	3.08	10.76	3.14	10.70	3.13	10.48	3.06	10.27	2.99	9.84	2.86
	7	6	11.84	2.99	11.27	2.86	10.70	2.72	10.48	2.65	10.27	2.58	9.84	2.45
	11.2	10	11.84	2.74	11.27	2.62	10.70	2.49	10.48	2.43	10.27	2.37	9.84	2.24
18 + 18 + 18	-13.7	-15	8.14	2.72	8.08	2.78	8.02	2.84	8.00	2.87	7.97	2.90	7.92	2.96
	-9.5	-10	9.03	2.84	8.97	2.90	8.92	2.96	8.89	2.99	8.87	3.02	8.81	3.08
	-4.4	-5	9.92	2.96	9.87	3.02	9.81	3.08	9.78	3.11	9.76	3.14	9.71	3.14
	0.7	0	10.82	3.08	10.76	3.14	10.70	3.07	10.48	3.00	10.27	2.94	9.84	2.80
	7	6	11.84	2.94	11.27	2.80	10.70	2.67	10.48	2.60	10.27	2.54	9.84	2.40
	11.2	10	11.84	2.69	11.27	2.57	10.70	2.45	10.48	2.39	10.27	2.33	9.84	2.20
7 + 24 + 24	-13.7	-15	8.14	2.72	8.08	2.78	8.02	2.84	8.00	2.87	7.97	2.90	7.92	2.96
	-9.5	-10	9.03	2.84	8.97	2.90	8.92	2.96	8.89	2.99	8.87	3.02	8.81	3.08
	-4.4	-5	9.92	2.96	9.87	3.02	9.81	3.08	9.78	3.11	9.76	3.14	9.71	3.20
	0.7	0	10.82	3.08	10.76	3.14	10.70	3.13	10.48	3.06	10.27	2.99	9.84	2.86
	7	6	11.84	2.99	11.27	2.86	10.70	2.72	10.48	2.65	10.27	2.58	9.84	2.45
	11.2	10	11.84	2.74	11.27	2.62	10.70	2.49	10.48	2.43	10.27	2.37	9.84	2.24
9 + 24 + 24	-13.7	-15	8.14	2.72	8.08	2.78	8.02	2.84	8.00	2.87	7.97	2.90	7.92	2.96
	-9.5	-10	9.03	2.84	8.97	2.90	8.92	2.96	8.89	2.99	8.87	3.02	8.81	3.08
	-4.4	-5	9.92	2.96	9.87	3.02	9.81	3.08	9.78	3.11	9.76	3.14	9.71	3.18
	0.7	0	10.82	3.08	10.76	3.14	10.70	3.12	10.48	3.05	10.27	2.98	9.84	2.85
	7	6	11.84	2.98	11.27	2.85	10.70	2.71	10.48	2.64	10.27	2.57	9.84	2.44
	11.2	10	11.84	2.73	11.27	2.61	10.70	2.48	10.48	2.42	10.27	2.36	9.84	2.24
7 + 7 + 7 + 7	-13.7	-15	8.01	2.67	7.96	2.73	7.90	2.79	7.87	2.82	7.85	2.85	7.80	2.91
	-9.5	-10	8.89	2.79	8.83	2.85	8.78	2.91	8.75	2.94	8.67	2.92	8.31	2.81
	-4.4	-5	9.77	2.91	9.51	2.86	9.03	2.75	8.85	2.70	8.67	2.65	8.31	2.54
	0.7	0	9.99	2.70	9.51	2.59	9.03	2.48	8.85	2.43	8.67	2.38	8.31	2.27
	7	6	9.99	2.38	9.51	2.27	9.03	2.16	8.85	2.11	8.67	2.05	8.31	1.94
	11.2	10	9.99	2.18	9.51	2.08	9.03	1.98	8.85	1.93	8.67	1.88	8.31	1.78

7. Capacity Tables

Combi.	Outdoor Air Temp.		Indoor Air Temp. (°C, DB)											
			16.0		18.0		20.0		21.0		22.0		24.0	
	(°C, DB)	(°C, WB)	TC	PI	TC	PI	TC	PI	TC	PI	TC	PI	TC	PI
7 + 7 + 7 + 7	16.3	15	9.99	1.93	9.51	1.84	9.03	1.76	8.85	1.71	8.67	1.67	8.31	1.58
7 + 7 + 7 + 9	-13.7	-15	8.06	2.69	8.01	2.75	7.95	2.81	7.92	2.84	7.90	2.87	7.85	2.93
	-9.5	-10	8.95	2.81	8.89	2.87	8.83	2.93	8.81	2.96	8.78	2.99	8.73	3.05
	-4.4	-5	9.83	2.93	9.77	2.99	9.67	3.03	9.48	2.98	9.29	2.92	8.90	2.80
	0.7	0	10.71	2.98	10.19	2.86	9.67	2.74	9.48	2.68	9.29	2.62	8.90	2.50
	7	6	10.71	2.62	10.19	2.50	9.67	2.38	9.48	2.32	9.29	2.26	8.90	2.14
	11.2	10	10.71	2.40	10.19	2.29	9.67	2.18	9.48	2.13	9.29	2.07	8.90	1.96
	16.3	15	10.71	2.13	10.19	2.03	9.67	1.93	9.48	1.89	9.29	1.84	8.90	1.74
7 + 7 + 9 + 9	-13.7	-15	8.11	2.71	8.05	2.77	8.00	2.83	7.97	2.86	7.94	2.89	7.89	2.95
	-9.5	-10	9.00	2.83	8.94	2.89	8.88	2.95	8.86	2.98	8.83	3.01	8.78	3.07
	-4.4	-5	9.89	2.95	9.83	3.01	9.77	3.07	9.75	3.10	9.72	3.13	9.49	3.08
	0.7	0	10.78	3.07	10.72	3.13	10.32	3.01	10.11	2.95	9.90	2.88	9.49	2.75
	7	6	11.42	2.88	10.87	2.75	10.32	2.62	10.11	2.55	9.90	2.49	9.49	2.36
	11.2	10	11.42	2.64	10.87	2.52	10.32	2.40	10.11	2.34	9.90	2.28	9.49	2.16
	16.3	15	11.42	2.34	10.87	2.24	10.32	2.13	10.11	2.08	9.90	2.02	9.49	1.92
7 + 7 + 7 + 12	-13.7	-15	8.14	2.71	8.08	2.77	8.02	2.83	7.99	2.86	7.97	2.89	7.92	2.95
	-9.5	-10	9.03	2.83	8.97	2.89	8.91	2.95	8.89	2.98	8.86	3.01	8.81	3.07
	-4.4	-5	9.92	2.95	9.86	3.01	9.80	3.07	9.78	3.10	9.75	3.13	9.70	3.20
	0.7	0	10.81	3.07	10.75	3.13	10.64	3.17	10.43	3.11	10.21	3.04	9.79	2.88
	7	6	11.78	3.04	11.21	2.90	10.64	2.76	10.43	2.69	10.21	2.62	9.79	2.48
	11.2	10	11.78	2.78	11.21	2.66	10.64	2.53	10.43	2.47	10.21	2.40	9.79	2.28
	16.3	15	11.78	2.47	11.21	2.36	10.64	2.24	10.43	2.19	10.21	2.13	9.79	2.02
7 + 9 + 9 + 9	-13.7	-15	8.14	2.72	8.08	2.78	8.02	2.84	8.00	2.87	7.97	2.90	7.92	2.96
	-9.5	-10	9.03	2.84	8.97	2.90	8.92	2.96	8.89	2.99	8.87	3.02	8.81	3.08
	-4.4	-5	9.92	2.96	9.87	3.02	9.81	3.08	9.78	3.11	9.76	3.14	9.71	3.20
	0.7	0	10.82	3.08	10.76	3.14	10.70	3.20	10.48	3.12	10.27	3.04	9.84	2.88
	7	6	11.84	3.06	11.27	2.92	10.70	2.78	10.48	2.71	10.27	2.64	9.84	2.50
	11.2	10	11.84	2.80	11.27	2.68	10.70	2.55	10.48	2.48	10.27	2.42	9.84	2.29
	16.3	15	11.84	2.49	11.27	2.37	10.70	2.26	10.48	2.20	10.27	2.15	9.84	2.03
7 + 7 + 9 + 12	-13.7	-15	8.14	2.72	8.08	2.78	8.02	2.84	8.00	2.87	7.97	2.90	7.92	2.96
	-9.5	-10	9.03	2.84	8.97	2.90	8.92	2.96	8.89	2.99	8.87	3.02	8.81	3.08
	-4.4	-5	9.92	2.96	9.87	3.02	9.81	3.08	9.78	3.11	9.76	3.14	9.71	3.20
	0.7	0	10.82	3.08	10.76	3.14	10.70	3.20	10.48	3.12	10.27	3.04	9.84	2.88
	7	6	11.84	3.06	11.27	2.92	10.70	2.78	10.48	2.71	10.27	2.64	9.84	2.50
	11.2	10	11.84	2.80	11.27	2.68	10.70	2.55	10.48	2.48	10.27	2.42	9.84	2.29
	16.3	15	11.84	2.49	11.27	2.37	10.70	2.26	10.48	2.20	10.27	2.15	9.84	2.03
9 + 9 + 9 + 9	-13.7	-15	8.14	2.72	8.08	2.78	8.02	2.84	8.00	2.87	7.97	2.90	7.92	2.96
	-9.5	-10	9.03	2.84	8.97	2.90	8.92	2.96	8.89	2.99	8.87	3.02	8.81	3.08
	-4.4	-5	9.92	2.96	9.87	3.02	9.81	3.08	9.78	3.11	9.76	3.14	9.71	3.20
	0.7	0	10.82	3.08	10.76	3.14	10.70	3.20	10.48	3.12	10.27	3.04	9.84	2.88
	7	6	11.84	3.06	11.27	2.92	10.70	2.78	10.48	2.71	10.27	2.64	9.84	2.50
	11.2	10	11.84	2.80	11.27	2.68	10.70	2.55	10.48	2.48	10.27	2.42	9.84	2.29
	16.3	15	11.84	2.49	11.27	2.37	10.70	2.26	10.48	2.20	10.27	2.15	9.84	2.03
7 + 9 + 9 + 12	-13.7	-15	8.14	2.72	8.08	2.78	8.02	2.84	8.00	2.87	7.97	2.90	7.92	2.96
	-9.5	-10	9.03	2.84	8.97	2.90	8.92	2.96	8.89	2.99	8.87	3.02	8.81	3.08
	-4.4	-5	9.92	2.96	9.87	3.02	9.81	3.08	9.78	3.11	9.76	3.14	9.71	3.20
	0.7	0	10.82	3.08	10.76	3.14	10.70	3.19	10.48	3.12	10.27	3.04	9.84	2.88

7. Capacity Tables

Combi.	Outdoor Air Temp.		Indoor Air Temp. (°C, DB)											
			16.0		18.0		20.0		21.0		22.0		24.0	
	(°C, DB)	(°C, WB)	TC	PI	TC	PI	TC	PI	TC	PI	TC	PI	TC	PI
7 + 9 + 9 + 12	7	6	11.84	3.05	11.27	2.91	10.70	2.77	10.48	2.70	10.27	2.63	9.84	2.49
	11.2	10	11.84	2.79	11.27	2.67	10.70	2.54	10.48	2.48	10.27	2.41	9.84	2.29
	16.3	15	11.84	2.48	11.27	2.36	10.70	2.25	10.48	2.19	10.27	2.14	9.84	2.03
7 + 7 + 1 2 + 12	-13.7	-15	8.14	2.72	8.08	2.78	8.02	2.84	8.00	2.87	7.97	2.90	7.92	2.96
	-9.5	-10	9.03	2.84	8.97	2.90	8.92	2.96	8.89	2.99	8.87	3.02	8.81	3.08
	-4.4	-5	9.92	2.96	9.87	3.02	9.81	3.08	9.78	3.11	9.76	3.14	9.71	3.20
	0.7	0	10.82	3.08	10.76	3.14	10.70	3.19	10.48	3.12	10.27	3.04	9.84	2.88
	7	6	11.84	3.05	11.27	2.91	10.70	2.77	10.48	2.70	10.27	2.63	9.84	2.49
	11.2	10	11.84	2.79	11.27	2.67	10.70	2.54	10.48	2.48	10.27	2.41	9.84	2.29
	16.3	15	11.84	2.48	11.27	2.36	10.70	2.25	10.48	2.19	10.27	2.14	9.84	2.03
7 + 7 + 7 + 18	-13.7	-15	8.14	2.72	8.08	2.78	8.02	2.84	8.00	2.87	7.97	2.90	7.92	2.96
	-9.5	-10	9.03	2.84	8.97	2.90	8.92	2.96	8.89	2.99	8.87	3.02	8.81	3.08
	-4.4	-5	9.92	2.96	9.87	3.02	9.81	3.08	9.78	3.11	9.76	3.14	9.71	3.20
	0.7	0	10.82	3.08	10.76	3.14	10.70	3.13	10.48	3.06	10.27	2.99	9.84	2.86
	7	6	11.84	2.99	11.27	2.86	10.70	2.72	10.48	2.65	10.27	2.58	9.84	2.45
	11.2	10	11.84	2.74	11.27	2.62	10.70	2.49	10.48	2.43	10.27	2.37	9.84	2.24
	16.3	15	11.84	2.43	11.27	2.32	10.70	2.21	10.48	2.15	10.27	2.10	9.84	1.99
9 + 9 + 9 + 12	-13.7	-15	8.14	2.72	8.08	2.78	8.02	2.84	8.00	2.87	7.97	2.90	7.92	2.96
	-9.5	-10	9.03	2.84	8.97	2.90	8.92	2.96	8.89	2.99	8.87	3.02	8.81	3.08
	-4.4	-5	9.92	2.96	9.87	3.02	9.81	3.08	9.78	3.11	9.76	3.14	9.71	3.20
	0.7	0	10.82	3.08	10.76	3.14	10.70	3.17	10.48	3.11	10.27	3.04	9.84	2.88
	7	6	11.84	3.04	11.27	2.90	10.70	2.76	10.48	2.69	10.27	2.62	9.84	2.48
	11.2	10	11.84	2.78	11.27	2.66	10.70	2.53	10.48	2.47	10.27	2.40	9.84	2.28
	16.3	15	11.84	2.47	11.27	2.36	10.70	2.24	10.48	2.19	10.27	2.13	9.84	2.02
7 + 9 + 1 2 + 12	-13.7	-15	8.14	2.72	8.08	2.78	8.02	2.84	8.00	2.87	7.97	2.90	7.92	2.96
	-9.5	-10	9.03	2.84	8.97	2.90	8.92	2.96	8.89	2.99	8.87	3.02	8.81	3.08
	-4.4	-5	9.92	2.96	9.87	3.02	9.81	3.08	9.78	3.11	9.76	3.14	9.71	3.20
	0.7	0	10.82	3.08	10.76	3.14	10.70	3.17	10.48	3.11	10.27	3.04	9.84	2.88
	7	6	11.84	3.04	11.27	2.90	10.70	2.76	10.48	2.69	10.27	2.62	9.84	2.48
	11.2	10	11.84	2.78	11.27	2.66	10.70	2.53	10.48	2.47	10.27	2.40	9.84	2.28
	16.3	15	11.84	2.47	11.27	2.36	10.70	2.24	10.48	2.19	10.27	2.13	9.84	2.02
7 + 7 + 9 + 18	-13.7	-15	8.14	2.72	8.08	2.78	8.02	2.84	8.00	2.87	7.97	2.90	7.92	2.96
	-9.5	-10	9.03	2.84	8.97	2.90	8.92	2.96	8.89	2.99	8.87	3.02	8.81	3.08
	-4.4	-5	9.92	2.96	9.87	3.02	9.81	3.08	9.78	3.11	9.76	3.14	9.71	3.18
	0.7	0	10.82	3.08	10.76	3.14	10.70	3.12	10.48	3.05	10.27	2.98	9.84	2.85
	7	6	11.84	2.98	11.27	2.85	10.70	2.71	10.48	2.64	10.27	2.57	9.84	2.44
	11.2	10	11.84	2.73	11.27	2.61	10.70	2.48	10.48	2.42	10.27	2.36	9.84	2.24
	16.3	15	11.84	2.42	11.27	2.31	10.70	2.20	10.48	2.15	10.27	2.09	9.84	1.98
9 + 9 + 1 2 + 12	-13.7	-15	8.14	2.72	8.08	2.78	8.02	2.84	8.00	2.87	7.97	2.90	7.92	2.96
	-9.5	-10	9.03	2.84	8.97	2.90	8.92	2.96	8.89	2.99	8.87	3.02	8.81	3.08
	-4.4	-5	9.92	2.96	9.87	3.02	9.81	3.08	9.78	3.11	9.76	3.14	9.71	3.20
	0.7	0	10.82	3.08	10.76	3.14	10.70	3.16	10.48	3.09	10.27	3.03	9.84	2.88
	7	6	11.84	3.03	11.27	2.89	10.70	2.75	10.48	2.68	10.27	2.61	9.84	2.48
	11.2	10	11.84	2.77	11.27	2.65	10.70	2.52	10.48	2.46	10.27	2.39	9.84	2.27
	16.3	15	11.84	2.46	11.27	2.35	10.70	2.23	10.48	2.18	10.27	2.12	9.84	2.01
7 + 9 + 9 + 18	-13.7	-15	8.14	2.72	8.08	2.78	8.02	2.84	8.00	2.87	7.97	2.90	7.92	2.96
	-9.5	-10	9.03	2.84	8.97	2.90	8.92	2.96	8.89	2.99	8.87	3.02	8.81	3.08

7. Capacity Tables

Combi.	Outdoor Air Temp.		Indoor Air Temp. (°C, DB)											
			16.0		18.0		20.0		21.0		22.0		24.0	
	(°C, DB)	(°C, WB)	TC	PI	TC	PI	TC	PI	TC	PI	TC	PI	TC	PI
7 + 9 + 9 + 18	-4.4	-5	9.92	2.96	9.87	3.02	9.81	3.08	9.78	3.11	9.76	3.14	9.71	3.18
	0.7	0	10.82	3.08	10.76	3.14	10.70	3.12	10.48	3.05	10.27	2.98	9.84	2.85
	7	6	11.84	2.98	11.27	2.85	10.70	2.71	10.48	2.64	10.27	2.57	9.84	2.44
	11.2	10	11.84	2.73	11.27	2.61	10.70	2.48	10.48	2.42	10.27	2.36	9.84	2.24
	16.3	15	11.84	2.42	11.27	2.31	10.70	2.20	10.48	2.15	10.27	2.09	9.84	1.98
7 + 12 + 12 + 12	-13.7	-15	8.14	2.72	8.08	2.78	8.02	2.84	8.00	2.87	7.97	2.90	7.92	2.96
	-9.5	-10	9.03	2.84	8.97	2.90	8.92	2.96	8.89	2.99	8.87	3.02	8.81	3.08
	-4.4	-5	9.92	2.96	9.87	3.02	9.81	3.08	9.78	3.11	9.76	3.14	9.71	3.20
	0.7	0	10.82	3.08	10.76	3.14	10.70	3.16	10.48	3.09	10.27	3.03	9.84	2.88
	7	6	11.84	3.03	11.27	2.89	10.70	2.75	10.48	2.68	10.27	2.61	9.84	2.48
	11.2	10	11.84	2.77	11.27	2.65	10.70	2.52	10.48	2.46	10.27	2.39	9.84	2.27
7 + 7 + 12 + 18	16.3	15	11.84	2.46	11.27	2.35	10.70	2.23	10.48	2.18	10.27	2.12	9.84	2.01
	-13.7	-15	8.14	2.72	8.08	2.78	8.02	2.84	8.00	2.87	7.97	2.90	7.92	2.96
	-9.5	-10	9.03	2.84	8.97	2.90	8.92	2.96	8.89	2.99	8.87	3.02	8.81	3.08
	-4.4	-5	9.92	2.96	9.87	3.02	9.81	3.08	9.78	3.11	9.76	3.14	9.71	3.17
	0.7	0	10.82	3.08	10.76	3.14	10.70	3.11	10.48	3.04	10.27	2.97	9.84	2.84
	7	6	11.84	2.97	11.27	2.84	10.70	2.70	10.48	2.63	10.27	2.57	9.84	2.43
	11.2	10	11.84	2.72	11.27	2.60	10.70	2.48	10.48	2.41	10.27	2.35	9.84	2.23
7 + 7 + 7 + 24	16.3	15	11.84	2.41	11.27	2.30	10.70	2.19	10.48	2.14	10.27	2.08	9.84	1.97
	-13.7	-15	8.14	2.72	8.08	2.78	8.02	2.84	8.00	2.87	7.97	2.90	7.92	2.96
	-9.5	-10	9.03	2.84	8.97	2.90	8.92	2.96	8.89	2.99	8.87	3.02	8.81	3.08
	-4.4	-5	9.92	2.96	9.87	3.02	9.81	3.08	9.78	3.11	9.76	3.14	9.71	3.17
	0.7	0	10.82	3.08	10.76	3.14	10.70	3.11	10.48	3.04	10.27	2.97	9.84	2.84
	7	6	11.84	2.97	11.27	2.84	10.70	2.70	10.48	2.63	10.27	2.57	9.84	2.43
	11.2	10	11.84	2.72	11.27	2.60	10.70	2.48	10.48	2.41	10.27	2.35	9.84	2.23
9 + 9 + 9 + 18	16.3	15	11.84	2.41	11.27	2.30	10.70	2.19	10.48	2.14	10.27	2.08	9.84	1.97
	-13.7	-15	8.14	2.72	8.08	2.78	8.02	2.84	8.00	2.87	7.97	2.90	7.92	2.96
	-9.5	-10	9.03	2.84	8.97	2.90	8.92	2.96	8.89	2.99	8.87	3.02	8.81	3.08
	-4.4	-5	9.92	2.96	9.87	3.02	9.81	3.08	9.78	3.11	9.76	3.14	9.71	3.20
	0.7	0	10.82	3.08	10.76	3.14	10.70	3.15	10.48	3.08	10.27	3.01	9.84	2.88
	7	6	11.84	3.02	11.27	2.88	10.70	2.74	10.48	2.67	10.27	2.60	9.84	2.47
	11.2	10	11.84	2.76	11.27	2.64	10.70	2.51	10.48	2.45	10.27	2.39	9.84	2.26
9 + 12 + 12 + 12	16.3	15	11.84	2.45	11.27	2.34	10.70	2.23	10.48	2.17	10.27	2.12	9.84	2.00
	-13.7	-15	8.14	2.72	8.08	2.78	8.02	2.84	8.00	2.87	7.97	2.90	7.92	2.96
	-9.5	-10	9.03	2.84	8.97	2.90	8.92	2.96	8.89	2.99	8.87	3.02	8.81	3.08
	-4.4	-5	9.92	2.96	9.87	3.02	9.81	3.08	9.78	3.11	9.76	3.14	9.71	3.20
	0.7	0	10.82	3.08	10.76	3.14	10.70	3.15	10.48	3.08	10.27	3.01	9.84	2.88
	7	6	11.84	3.02	11.27	2.88	10.70	2.74	10.48	2.67	10.27	2.60	9.84	2.47
	11.2	10	11.84	2.76	11.27	2.64	10.70	2.51	10.48	2.45	10.27	2.39	9.84	2.26
7 + 9 + 12 + 18	16.3	15	11.84	2.45	11.27	2.34	10.70	2.23	10.48	2.17	10.27	2.12	9.84	2.00
	-13.7	-15	8.14	2.72	8.08	2.78	8.02	2.84	8.00	2.87	7.97	2.90	7.92	2.96
	-9.5	-10	9.03	2.84	8.97	2.90	8.92	2.96	8.89	2.99	8.87	3.02	8.81	3.08
	-4.4	-5	9.92	2.96	9.87	3.02	9.81	3.08	9.78	3.11	9.76	3.14	9.71	3.16
	0.7	0	10.82	3.08	10.76	3.14	10.70	3.09	10.48	3.03	10.27	2.96	9.84	2.82
	7	6	11.84	2.96	11.27	2.83	10.70	2.69	10.48	2.62	10.27	2.56	9.84	2.42
	11.2	10	11.84	2.71	11.27	2.59	10.70	2.47	10.48	2.40	10.27	2.34	9.84	2.22
16.3	15	11.84	2.41	11.27	2.30	10.70	2.19	10.48	2.13	10.27	2.08	9.84	1.97	

7. Capacity Tables

Combi.	Outdoor Air Temp.		Indoor Air Temp. (°C, DB)											
			16.0		18.0		20.0		21.0		22.0		24.0	
	(°C, DB)	(°C, WB)	TC	PI	TC	PI	TC	PI	TC	PI	TC	PI	TC	PI
7 + 7 + 9 + 24	-13.7	-15	8.14	2.72	8.08	2.78	8.02	2.84	8.00	2.87	7.97	2.90	7.92	2.96
	-9.5	-10	9.03	2.84	8.97	2.90	8.92	2.96	8.89	2.99	8.87	3.02	8.81	3.08
	-4.4	-5	9.92	2.96	9.87	3.02	9.81	3.08	9.78	3.11	9.76	3.14	9.71	3.16
	0.7	0	10.82	3.08	10.76	3.14	10.70	3.09	10.48	3.03	10.27	2.96	9.84	2.82
	7	6	11.84	2.96	11.27	2.83	10.70	2.69	10.48	2.62	10.27	2.56	9.84	2.42
	11.2	10	11.84	2.71	11.27	2.59	10.70	2.47	10.48	2.40	10.27	2.34	9.84	2.22
	16.3	15	11.84	2.41	11.27	2.30	10.70	2.19	10.48	2.13	10.27	2.08	9.84	1.97
9 + 9 + 1 2 + 18	-13.7	-15	8.14	2.72	8.08	2.78	8.02	2.84	8.00	2.87	7.97	2.90	7.92	2.96
	-9.5	-10	9.03	2.84	8.97	2.90	8.92	2.96	8.89	2.99	8.87	3.02	8.81	3.08
	-4.4	-5	9.92	2.96	9.87	3.02	9.81	3.08	9.78	3.11	9.76	3.14	9.71	3.16
	0.7	0	10.82	3.08	10.76	3.14	10.70	3.09	10.48	3.03	10.27	2.96	9.84	2.82
	7	6	11.84	2.96	11.27	2.83	10.70	2.69	10.48	2.62	10.27	2.56	9.84	2.42
	11.2	10	11.84	2.71	11.27	2.59	10.70	2.47	10.48	2.40	10.27	2.34	9.84	2.22
	16.3	15	11.84	2.41	11.27	2.30	10.70	2.19	10.48	2.13	10.27	2.08	9.84	1.97
12 + 12 + 12 + 1 2	-13.7	-15	8.14	2.72	8.08	2.78	8.02	2.84	8.00	2.87	7.97	2.90	7.92	2.96
	-9.5	-10	9.03	2.84	8.97	2.90	8.92	2.96	8.89	2.99	8.87	3.02	8.81	3.08
	-4.4	-5	9.92	2.96	9.87	3.02	9.81	3.08	9.78	3.11	9.76	3.14	9.71	3.20
	0.7	0	10.82	3.08	10.76	3.14	10.70	3.14	10.48	3.07	10.27	3.00	9.84	2.87
	7	6	11.84	3.00	11.27	2.87	10.70	2.73	10.48	2.66	10.27	2.59	9.84	2.46
	11.2	10	11.84	2.75	11.27	2.63	10.70	2.50	10.48	2.44	10.27	2.38	9.84	2.25
	16.3	15	11.84	2.44	11.27	2.33	10.70	2.22	10.48	2.16	10.27	2.11	9.84	2.00
7 + 9 + 9 + 24	-13.7	-15	8.14	2.72	8.08	2.78	8.02	2.84	8.00	2.87	7.97	2.90	7.92	2.96
	-9.5	-10	9.03	2.84	8.97	2.90	8.92	2.96	8.89	2.99	8.87	3.02	8.81	3.08
	-4.4	-5	9.92	2.96	9.87	3.02	9.81	3.08	9.78	3.11	9.76	3.14	9.71	3.15
	0.7	0	10.82	3.08	10.76	3.14	10.70	3.08	10.48	3.02	10.27	2.95	9.84	2.81
	7	6	11.84	2.95	11.27	2.81	10.70	2.68	10.48	2.61	10.27	2.55	9.84	2.41
	11.2	10	11.84	2.70	11.27	2.58	10.70	2.46	10.48	2.40	10.27	2.33	9.84	2.21
	16.3	15	11.84	2.40	11.27	2.29	10.70	2.18	10.48	2.12	10.27	2.07	9.84	1.96
7 + 12 + 12 + 18	-13.7	-15	8.14	2.72	8.08	2.78	8.02	2.84	8.00	2.87	7.97	2.90	7.92	2.96
	-9.5	-10	9.03	2.84	8.97	2.90	8.92	2.96	8.89	2.99	8.87	3.02	8.81	3.08
	-4.4	-5	9.92	2.96	9.87	3.02	9.81	3.08	9.78	3.11	9.76	3.14	9.71	3.15
	0.7	0	10.82	3.08	10.76	3.14	10.70	3.08	10.48	3.02	10.27	2.95	9.84	2.81
	7	6	11.84	2.95	11.27	2.81	10.70	2.68	10.48	2.61	10.27	2.55	9.84	2.41
	11.2	10	11.84	2.70	11.27	2.58	10.70	2.46	10.48	2.40	10.27	2.33	9.84	2.21
	16.3	15	11.84	2.40	11.27	2.29	10.70	2.18	10.48	2.12	10.27	2.07	9.84	1.96
7 + 7 + 1 2 + 24	-13.7	-15	8.14	2.72	8.08	2.78	8.02	2.84	8.00	2.87	7.97	2.90	7.92	2.96
	-9.5	-10	9.03	2.84	8.97	2.90	8.92	2.96	8.89	2.99	8.87	3.02	8.81	3.08
	-4.4	-5	9.92	2.96	9.87	3.02	9.81	3.08	9.78	3.11	9.76	3.14	9.71	3.15
	0.7	0	10.82	3.08	10.76	3.14	10.70	3.08	10.48	3.02	10.27	2.95	9.84	2.81
	7	6	11.84	2.95	11.27	2.81	10.70	2.68	10.48	2.61	10.27	2.55	9.84	2.41
	11.2	10	11.84	2.70	11.27	2.58	10.70	2.46	10.48	2.40	10.27	2.33	9.84	2.21
	16.3	15	11.84	2.40	11.27	2.29	10.70	2.18	10.48	2.12	10.27	2.07	9.84	1.96
7 + 7 + 1 8 + 18	-13.7	-15	8.14	2.72	8.08	2.78	8.02	2.84	8.00	2.87	7.97	2.90	7.92	2.96
	-9.5	-10	9.03	2.84	8.97	2.90	8.92	2.96	8.89	2.99	8.87	3.02	8.81	3.08
	-4.4	-5	9.92	2.96	9.87	3.02	9.81	3.08	9.78	3.11	9.76	3.14	9.71	3.10
	0.7	0	10.82	3.08	10.76	3.14	10.70	3.04	10.48	2.97	10.27	2.90	9.84	2.77
	7	6	11.84	2.91	11.27	2.77	10.70	2.64	10.48	2.57	10.27	2.51	9.84	2.38

7. Capacity Tables

Combi.	Outdoor Air Temp.		Indoor Air Temp. (°C, DB)											
			16.0		18.0		20.0		21.0		22.0		24.0	
	(°C, DB)	(°C, WB)	TC	PI	TC	PI	TC	PI	TC	PI	TC	PI	TC	PI
7 + 7 + 1 8 + 18	11.2	10	11.84	2.66	11.27	2.54	10.70	2.42	10.48	2.36	10.27	2.30	9.84	2.18
	16.3	15	11.84	2.36	11.27	2.25	10.70	2.15	10.48	2.09	10.27	2.04	9.84	1.93
9 + 9 + 9 + 24	-13.7	-15	8.14	2.72	8.08	2.78	8.02	2.84	8.00	2.87	7.97	2.90	7.92	2.96
	-9.5	-10	9.03	2.84	8.97	2.90	8.92	2.96	8.89	2.99	8.87	3.02	8.81	3.08
	-4.4	-5	9.92	2.96	9.87	3.02	9.81	3.08	9.78	3.11	9.76	3.14	9.71	3.14
	0.7	0	10.82	3.08	10.76	3.14	10.70	3.07	10.48	3.00	10.27	2.94	9.84	2.80
	7	6	11.84	2.94	11.27	2.80	10.70	2.67	10.48	2.60	10.27	2.54	9.84	2.40
	11.2	10	11.84	2.69	11.27	2.57	10.70	2.45	10.48	2.39	10.27	2.33	9.84	2.20
	16.3	15	11.84	2.39	11.27	2.28	10.70	2.17	10.48	2.12	10.27	2.06	9.84	1.95
9 + 12 + 12 + 18	-13.7	-15	8.14	2.72	8.08	2.78	8.02	2.84	8.00	2.87	7.97	2.90	7.92	2.96
	-9.5	-10	9.03	2.84	8.97	2.90	8.92	2.96	8.89	2.99	8.87	3.02	8.81	3.08
	-4.4	-5	9.92	2.96	9.87	3.02	9.81	3.08	9.78	3.11	9.76	3.14	9.71	3.14
	0.7	0	10.82	3.08	10.76	3.14	10.70	3.07	10.48	3.00	10.27	2.94	9.84	2.80
	7	6	11.84	2.94	11.27	2.80	10.70	2.67	10.48	2.60	10.27	2.54	9.84	2.40
	11.2	10	11.84	2.69	11.27	2.57	10.70	2.45	10.48	2.39	10.27	2.33	9.84	2.20
	16.3	15	11.84	2.39	11.27	2.28	10.70	2.17	10.48	2.12	10.27	2.06	9.84	1.95
7 + 9 + 1 2 + 24	-13.7	-15	8.14	2.72	8.08	2.78	8.02	2.84	8.00	2.87	7.97	2.90	7.92	2.96
	-9.5	-10	9.03	2.84	8.97	2.90	8.92	2.96	8.89	2.99	8.87	3.02	8.81	3.08
	-4.4	-5	9.92	2.96	9.87	3.02	9.81	3.08	9.78	3.11	9.76	3.14	9.71	3.14
	0.7	0	10.82	3.08	10.76	3.14	10.70	3.07	10.48	3.00	10.27	2.94	9.84	2.80
	7	6	11.84	2.94	11.27	2.80	10.70	2.67	10.48	2.60	10.27	2.54	9.84	2.40
	11.2	10	11.84	2.69	11.27	2.57	10.70	2.45	10.48	2.39	10.27	2.33	9.84	2.20
	16.3	15	11.84	2.39	11.27	2.28	10.70	2.17	10.48	2.12	10.27	2.06	9.84	1.95
7 + 9 + 1 8 + 18	-13.7	-15	8.14	2.72	8.08	2.78	8.02	2.84	8.00	2.87	7.97	2.90	7.92	2.96
	-9.5	-10	9.03	2.84	8.97	2.90	8.92	2.96	8.89	2.99	8.87	3.02	8.81	3.08
	-4.4	-5	9.92	2.96	9.87	3.02	9.81	3.08	9.78	3.11	9.76	3.14	9.71	3.09
	0.7	0	10.82	3.08	10.76	3.14	10.70	3.02	10.48	2.96	10.27	2.89	9.84	2.76
	7	6	11.84	2.89	11.27	2.76	10.70	2.63	10.48	2.56	10.27	2.50	9.84	2.37
	11.2	10	11.84	2.65	11.27	2.53	10.70	2.41	10.48	2.35	10.27	2.29	9.84	2.17
	16.3	15	11.84	2.35	11.27	2.24	10.70	2.14	10.48	2.08	10.27	2.03	9.84	1.92
9 + 9 + 1 2 + 24	-13.7	-15	8.14	2.72	8.08	2.78	8.02	2.84	8.00	2.87	7.97	2.90	7.92	2.96
	-9.5	-10	9.03	2.84	8.97	2.90	8.92	2.96	8.89	2.99	8.87	3.02	8.81	3.08
	-4.4	-5	9.92	2.96	9.87	3.02	9.81	3.08	9.78	3.11	9.76	3.14	9.71	3.13
	0.7	0	10.82	3.08	10.76	3.14	10.70	3.06	10.48	2.99	10.27	2.93	9.84	2.79
	7	6	11.84	2.93	11.27	2.79	10.70	2.66	10.48	2.59	10.27	2.53	9.84	2.39
	11.2	10	11.84	2.68	11.27	2.56	10.70	2.44	10.48	2.38	10.27	2.32	9.84	2.19
	16.3	15	11.84	2.38	11.27	2.27	10.70	2.16	10.48	2.11	10.27	2.05	9.84	1.95
9 + 9 + 1 8 + 18	-13.7	-15	8.14	2.72	8.08	2.78	8.02	2.84	8.00	2.87	7.97	2.90	7.92	2.96
	-9.5	-10	9.03	2.84	8.97	2.90	8.92	2.96	8.89	2.99	8.87	3.02	8.81	3.08
	-4.4	-5	9.92	2.96	9.87	3.02	9.81	3.08	9.78	3.11	9.76	3.14	9.71	3.08
	0.7	0	10.82	3.08	10.76	3.14	10.70	3.01	10.48	2.95	10.27	2.88	9.84	2.75
	7	6	11.84	2.88	11.27	2.75	10.70	2.62	10.48	2.55	10.27	2.49	9.84	2.36
	11.2	10	11.84	2.64	11.27	2.52	10.70	2.40	10.48	2.34	10.27	2.28	9.84	2.16
	16.3	15	11.84	2.34	11.27	2.24	10.70	2.13	10.48	2.08	10.27	2.02	9.84	1.92
12 + 12 + 12 + 1 8	-13.7	-15	8.14	2.72	8.08	2.78	8.02	2.84	8.00	2.87	7.97	2.90	7.92	2.96
	-9.5	-10	9.03	2.84	8.97	2.90	8.92	2.96	8.89	2.99	8.87	3.02	8.81	3.08
	-4.4	-5	9.92	2.96	9.87	3.02	9.81	3.08	9.78	3.11	9.76	3.14	9.71	3.13

7. Capacity Tables

Combi.	Outdoor Air Temp.		Indoor Air Temp. (°C, DB)											
			16.0		18.0		20.0		21.0		22.0		24.0	
	(°C, DB)	(°C, WB)	TC	PI	TC	PI	TC	PI	TC	PI	TC	PI	TC	PI
12 + 12 + 12 + 1 8	0.7	0	10.82	3.08	10.76	3.14	10.70	3.06	10.48	2.99	10.27	2.93	9.84	2.79
	7	6	11.84	2.93	11.27	2.79	10.70	2.66	10.48	2.59	10.27	2.53	9.84	2.39
	11.2	10	11.84	2.68	11.27	2.56	10.70	2.44	10.48	2.38	10.27	2.32	9.84	2.19
	16.3	15	11.84	2.38	11.27	2.27	10.70	2.16	10.48	2.11	10.27	2.05	9.84	1.95
7 + 12 + 12 + 24	-13.7	-15	8.14	2.72	8.08	2.78	8.02	2.84	8.00	2.87	7.97	2.90	7.92	2.96
	-9.5	-10	9.03	2.84	8.97	2.90	8.92	2.96	8.89	2.99	8.87	3.02	8.81	3.08
	-4.4	-5	9.92	2.96	9.87	3.02	9.81	3.08	9.78	3.11	9.76	3.14	9.71	3.13
	0.7	0	10.82	3.08	10.76	3.14	10.70	3.06	10.48	2.99	10.27	2.93	9.84	2.79
	7	6	11.84	2.93	11.27	2.79	10.70	2.66	10.48	2.59	10.27	2.53	9.84	2.39
	11.2	10	11.84	2.68	11.27	2.56	10.70	2.44	10.48	2.38	10.27	2.32	9.84	2.19
	16.3	15	11.84	2.38	11.27	2.27	10.70	2.16	10.48	2.11	10.27	2.05	9.84	1.95
7 + 12 + 18 + 18	-13.7	-15	8.14	2.72	8.08	2.78	8.02	2.84	8.00	2.87	7.97	2.90	7.92	2.96
	-9.5	-10	9.03	2.84	8.97	2.90	8.92	2.96	8.89	2.99	8.87	3.02	8.81	3.08
	-4.4	-5	9.92	2.96	9.87	3.02	9.81	3.08	9.78	3.11	9.76	3.14	9.71	3.08
	0.7	0	10.82	3.08	10.76	3.14	10.70	3.01	10.48	2.95	10.27	2.88	9.84	2.75
	7	6	11.84	2.88	11.27	2.75	10.70	2.62	10.48	2.55	10.27	2.49	9.84	2.36
	11.2	10	11.84	2.64	11.27	2.52	10.70	2.40	10.48	2.34	10.27	2.28	9.84	2.16
	16.3	15	11.84	2.34	11.27	2.24	10.70	2.13	10.48	2.08	10.27	2.02	9.84	1.92
7 + 7 + 1 8 + 24	-13.7	-15	8.14	2.72	8.08	2.78	8.02	2.84	8.00	2.87	7.97	2.90	7.92	2.96
	-9.5	-10	9.03	2.84	8.97	2.90	8.92	2.96	8.89	2.99	8.87	3.02	8.81	3.08
	-4.4	-5	9.92	2.96	9.87	3.02	9.81	3.08	9.78	3.11	9.76	3.14	9.71	3.07
	0.7	0	10.82	3.08	10.76	3.13	10.70	3.00	10.48	2.94	10.27	2.87	9.84	2.74
	7	6	11.84	2.87	11.27	2.74	10.70	2.61	10.48	2.54	10.27	2.48	9.84	2.35
	11.2	10	11.84	2.63	11.27	2.51	10.70	2.39	10.48	2.33	10.27	2.27	9.84	2.15
	16.3	15	11.84	2.33	11.27	2.23	10.70	2.12	10.48	2.07	10.27	2.01	9.84	1.91
9 + 12 + 12 + 24	-13.7	-15	8.14	2.72	8.08	2.78	8.02	2.84	8.00	2.87	7.97	2.90	7.92	2.96
	-9.5	-10	9.03	2.84	8.97	2.90	8.92	2.96	8.89	2.99	8.87	3.02	8.81	3.08
	-4.4	-5	9.92	2.96	9.87	3.02	9.81	3.08	9.78	3.11	9.76	3.14	9.71	3.11
	0.7	0	10.82	3.08	10.76	3.14	10.70	3.05	10.48	2.98	10.27	2.92	9.84	2.78
	7	6	11.84	2.92	11.27	2.78	10.70	2.65	10.48	2.58	10.27	2.52	9.84	2.39
	11.2	10	11.84	2.67	11.27	2.55	10.70	2.43	10.48	2.37	10.27	2.31	9.84	2.19
	16.3	15	11.84	2.37	11.27	2.26	10.70	2.15	10.48	2.10	10.27	2.05	9.84	1.94
9 + 12 + 18 + 18	-13.7	-15	8.14	2.72	8.08	2.78	8.02	2.84	8.00	2.87	7.97	2.90	7.92	2.96
	-9.5	-10	9.03	2.84	8.97	2.90	8.92	2.96	8.89	2.99	8.87	3.02	8.81	3.08
	-4.4	-5	9.92	2.96	9.87	3.02	9.81	3.08	9.78	3.11	9.76	3.14	9.71	3.07
	0.7	0	10.82	3.08	10.76	3.13	10.70	3.00	10.48	2.94	10.27	2.87	9.84	2.74
	7	6	11.84	2.87	11.27	2.74	10.70	2.61	10.48	2.54	10.27	2.48	9.84	2.35
	11.2	10	11.84	2.63	11.27	2.51	10.70	2.39	10.48	2.33	10.27	2.27	9.84	2.15
	16.3	15	11.84	2.33	11.27	2.23	10.70	2.12	10.48	2.07	10.27	2.01	9.84	1.91
7 + 7 + 7 + 7 + 7	-13.7	-15	8.14	2.72	8.08	2.78	8.02	2.84	8.00	2.87	7.97	2.90	7.92	2.96
	-9.5	-10	9.03	2.84	8.97	2.90	8.92	2.96	8.89	2.99	8.87	3.02	8.81	3.08
	-4.4	-5	9.92	2.96	9.87	3.02	9.81	3.08	9.78	3.11	9.76	3.14	9.71	3.20
	0.7	0	10.82	3.08	10.76	3.14	10.70	3.17	10.48	3.11	10.27	3.04	9.84	2.88
	7	6	11.84	3.04	11.27	2.90	10.70	2.76	10.48	2.69	10.27	2.62	9.84	2.48
	11.2	10	11.84	2.78	11.27	2.66	10.70	2.53	10.48	2.47	10.27	2.40	9.84	2.28
	16.3	15	11.84	2.47	11.27	2.36	10.70	2.24	10.48	2.19	10.27	2.13	9.84	2.02
7 + 7 + 7 + 7 + 9	-13.7	-15	8.14	2.72	8.08	2.78	8.02	2.84	8.00	2.87	7.97	2.90	7.92	2.96

7. Capacity Tables

Combi.	Outdoor Air Temp.		Indoor Air Temp. (°C, DB)											
			16.0		18.0		20.0		21.0		22.0		24.0	
	(°C, DB)	(°C, WB)	TC	PI	TC	PI	TC	PI	TC	PI	TC	PI	TC	PI
7 + 7 + 7 + 7 + 9	-9.5	-10	9.03	2.84	8.97	2.90	8.92	2.96	8.89	2.99	8.87	3.02	8.81	3.08
	-4.4	-5	9.92	2.96	9.87	3.02	9.81	3.08	9.78	3.11	9.76	3.14	9.71	3.20
	0.7	0	10.82	3.08	10.76	3.14	10.70	3.16	10.48	3.09	10.27	3.03	9.84	2.88
	7	6	11.84	3.03	11.27	2.89	10.70	2.75	10.48	2.68	10.27	2.61	9.84	2.48
	11.2	10	11.84	2.77	11.27	2.65	10.70	2.52	10.48	2.46	10.27	2.39	9.84	2.27
	16.3	15	11.84	2.46	11.27	2.35	10.70	2.23	10.48	2.18	10.27	2.12	9.84	2.01
7 + 7 + 7 + 9 + 9	-13.7	-15	8.14	2.72	8.08	2.78	8.02	2.84	8.00	2.87	7.97	2.90	7.92	2.96
	-9.5	-10	9.03	2.84	8.97	2.90	8.92	2.96	8.89	2.99	8.87	3.02	8.81	3.08
	-4.4	-5	9.92	2.96	9.87	3.02	9.81	3.08	9.78	3.11	9.76	3.14	9.71	3.20
	0.7	0	10.82	3.08	10.76	3.14	10.70	3.15	10.48	3.08	10.27	3.01	9.84	2.88
	7	6	11.84	3.02	11.27	2.88	10.70	2.74	10.48	2.67	10.27	2.60	9.84	2.47
	11.2	10	11.84	2.76	11.27	2.64	10.70	2.51	10.48	2.45	10.27	2.39	9.84	2.26
7 + 7 + 7 + 7 + 12	-13.7	-15	8.14	2.72	8.08	2.78	8.02	2.84	8.00	2.87	7.97	2.90	7.92	2.96
	-9.5	-10	9.03	2.84	8.97	2.90	8.92	2.96	8.89	2.99	8.87	3.02	8.81	3.08
	-4.4	-5	9.92	2.96	9.87	3.02	9.81	3.08	9.78	3.11	9.76	3.14	9.71	3.20
	0.7	0	10.82	3.08	10.76	3.14	10.70	3.15	10.48	3.08	10.27	3.01	9.84	2.88
	7	6	11.84	3.02	11.27	2.88	10.70	2.74	10.48	2.67	10.27	2.60	9.84	2.47
	11.2	10	11.84	2.76	11.27	2.64	10.70	2.51	10.48	2.45	10.27	2.39	9.84	2.26
7 + 7 + 9 + 9 + 9	-13.7	-15	8.14	2.72	8.08	2.78	8.02	2.84	8.00	2.87	7.97	2.90	7.92	2.96
	-9.5	-10	9.03	2.84	8.97	2.90	8.92	2.96	8.89	2.99	8.87	3.02	8.81	3.08
	-4.4	-5	9.92	2.96	9.87	3.02	9.81	3.08	9.78	3.11	9.76	3.14	9.71	3.20
	0.7	0	10.82	3.08	10.76	3.14	10.70	3.14	10.48	3.07	10.27	3.00	9.84	2.87
	7	6	11.84	3.00	11.27	2.87	10.70	2.73	10.48	2.66	10.27	2.59	9.84	2.46
	11.2	10	11.84	2.75	11.27	2.63	10.70	2.50	10.48	2.44	10.27	2.38	9.84	2.25
7 + 7 + 7 + 9 + 12	-13.7	-15	8.14	2.72	8.08	2.78	8.02	2.84	8.00	2.87	7.97	2.90	7.92	2.96
	-9.5	-10	9.03	2.84	8.97	2.90	8.92	2.96	8.89	2.99	8.87	3.02	8.81	3.08
	-4.4	-5	9.92	2.96	9.87	3.02	9.81	3.08	9.78	3.11	9.76	3.14	9.71	3.20
	0.7	0	10.82	3.08	10.76	3.14	10.70	3.14	10.48	3.07	10.27	3.00	9.84	2.87
	7	6	11.84	3.00	11.27	2.87	10.70	2.73	10.48	2.66	10.27	2.59	9.84	2.46
	11.2	10	11.84	2.75	11.27	2.63	10.70	2.50	10.48	2.44	10.27	2.38	9.84	2.25
7 + 9 + 9 + 9 + 9	-13.7	-15	8.14	2.72	8.08	2.78	8.02	2.84	8.00	2.87	7.97	2.90	7.92	2.96
	-9.5	-10	9.03	2.84	8.97	2.90	8.92	2.96	8.89	2.99	8.87	3.02	8.81	3.08
	-4.4	-5	9.92	2.96	9.87	3.02	9.81	3.08	9.78	3.11	9.76	3.14	9.71	3.20
	0.7	0	10.82	3.08	10.76	3.14	10.70	3.14	10.48	3.07	10.27	3.00	9.84	2.87
	7	6	11.84	3.00	11.27	2.87	10.70	2.73	10.48	2.66	10.27	2.59	9.84	2.46
	11.2	10	11.84	2.75	11.27	2.63	10.70	2.50	10.48	2.44	10.27	2.38	9.84	2.25
7 + 7 + 9 + 9 + 12	-13.7	-15	8.14	2.72	8.08	2.78	8.02	2.84	8.00	2.87	7.97	2.90	7.92	2.96
	-9.5	-10	9.03	2.84	8.97	2.90	8.92	2.96	8.89	2.99	8.87	3.02	8.81	3.08
	-4.4	-5	9.92	2.96	9.87	3.02	9.81	3.08	9.78	3.11	9.76	3.14	9.71	3.20
	0.7	0	10.82	3.08	10.76	3.14	10.70	3.13	10.48	3.06	10.27	2.99	9.84	2.86
	7	6	11.84	2.99	11.27	2.86	10.70	2.72	10.48	2.65	10.27	2.58	9.84	2.45
	11.2	10	11.84	2.74	11.27	2.62	10.70	2.49	10.48	2.43	10.27	2.37	9.84	2.24

7. Capacity Tables

Combi.	Outdoor Air Temp.		Indoor Air Temp. (°C, DB)											
			16.0		18.0		20.0		21.0		22.0		24.0	
	(°C, DB)	(°C, WB)	TC	PI	TC	PI	TC	PI	TC	PI	TC	PI	TC	PI
7 + 7 + 9 + 9 + 12	16.3	15	11.84	2.43	11.27	2.32	10.70	2.21	10.48	2.15	10.27	2.10	9.84	1.99
7 + 7 + 7 + 12 + 1 2	-13.7	-15	8.14	2.72	8.08	2.78	8.02	2.84	8.00	2.87	7.97	2.90	7.92	2.96
	-9.5	-10	9.03	2.84	8.97	2.90	8.92	2.96	8.89	2.99	8.87	3.02	8.81	3.08
	-4.4	-5	9.92	2.96	9.87	3.02	9.81	3.08	9.78	3.11	9.76	3.14	9.71	3.20
	0.7	0	10.82	3.08	10.76	3.14	10.70	3.13	10.48	3.06	10.27	2.99	9.84	2.86
	7	6	11.84	2.99	11.27	2.86	10.70	2.72	10.48	2.65	10.27	2.58	9.84	2.45
	11.2	10	11.84	2.74	11.27	2.62	10.70	2.49	10.48	2.43	10.27	2.37	9.84	2.24
	16.3	15	11.84	2.43	11.27	2.32	10.70	2.21	10.48	2.15	10.27	2.10	9.84	1.99
9 + 9 + 9 + 9 + 9	-13.7	-15	8.14	2.72	8.08	2.78	8.02	2.84	8.00	2.87	7.97	2.90	7.92	2.96
	-9.5	-10	9.03	2.84	8.97	2.90	8.92	2.96	8.89	2.99	8.87	3.02	8.81	3.08
	-4.4	-5	9.92	2.96	9.87	3.02	9.81	3.08	9.78	3.11	9.76	3.14	9.71	3.20
	0.7	0	10.82	3.08	10.76	3.14	10.70	3.13	10.48	3.06	10.27	2.99	9.84	2.86
	7	6	11.84	2.99	11.27	2.86	10.70	2.72	10.48	2.65	10.27	2.58	9.84	2.45
	11.2	10	11.84	2.74	11.27	2.62	10.70	2.49	10.48	2.43	10.27	2.37	9.84	2.24
	16.3	15	11.84	2.43	11.27	2.32	10.70	2.21	10.48	2.15	10.27	2.10	9.84	1.99
7 + 7 + 7 + 7 + 18	-13.7	-15	8.14	2.72	8.08	2.78	8.02	2.84	8.00	2.87	7.97	2.90	7.92	2.96
	-9.5	-10	9.03	2.84	8.97	2.90	8.92	2.96	8.89	2.99	8.87	3.02	8.81	3.08
	-4.4	-5	9.92	2.96	9.87	3.02	9.81	3.08	9.78	3.11	9.76	3.14	9.71	3.15
	0.7	0	10.82	3.08	10.76	3.14	10.70	3.08	10.48	3.02	10.27	2.95	9.84	2.81
	7	6	11.84	2.95	11.27	2.81	10.70	2.68	10.48	2.61	10.27	2.55	9.84	2.41
	11.2	10	11.84	2.70	11.27	2.58	10.70	2.46	10.48	2.40	10.27	2.33	9.84	2.21
	16.3	15	11.84	2.40	11.27	2.29	10.70	2.18	10.48	2.12	10.27	2.07	9.84	1.96
7 + 9 + 9 + 9 + 12	-13.7	-15	8.14	2.72	8.08	2.78	8.02	2.84	8.00	2.87	7.97	2.90	7.92	2.96
	-9.5	-10	9.03	2.84	8.97	2.90	8.92	2.96	8.89	2.99	8.87	3.02	8.81	3.08
	-4.4	-5	9.92	2.96	9.87	3.02	9.81	3.08	9.78	3.11	9.76	3.14	9.71	3.18
	0.7	0	10.82	3.08	10.76	3.14	10.70	3.12	10.48	3.05	10.27	2.98	9.84	2.85
	7	6	11.84	2.98	11.27	2.85	10.70	2.71	10.48	2.64	10.27	2.57	9.84	2.44
	11.2	10	11.84	2.73	11.27	2.61	10.70	2.48	10.48	2.42	10.27	2.36	9.84	2.24
	16.3	15	11.84	2.42	11.27	2.31	10.70	2.20	10.48	2.15	10.27	2.09	9.84	1.98
7 + 7 + 9 + 12 + 1 2	-13.7	-15	8.14	2.72	8.08	2.78	8.02	2.84	8.00	2.87	7.97	2.90	7.92	2.96
	-9.5	-10	9.03	2.84	8.97	2.90	8.92	2.96	8.89	2.99	8.87	3.02	8.81	3.08
	-4.4	-5	9.92	2.96	9.87	3.02	9.81	3.08	9.78	3.11	9.76	3.14	9.71	3.18
	0.7	0	10.82	3.08	10.76	3.14	10.70	3.12	10.48	3.05	10.27	2.98	9.84	2.85
	7	6	11.84	2.98	11.27	2.85	10.70	2.71	10.48	2.64	10.27	2.57	9.84	2.44
	11.2	10	11.84	2.73	11.27	2.61	10.70	2.48	10.48	2.42	10.27	2.36	9.84	2.24
	16.3	15	11.84	2.42	11.27	2.31	10.70	2.20	10.48	2.15	10.27	2.09	9.84	1.98
7 + 7 + 7 + 9 + 18	-13.7	-15	8.14	2.72	8.08	2.78	8.02	2.84	8.00	2.87	7.97	2.90	7.92	2.96
	-9.5	-10	9.03	2.84	8.97	2.90	8.92	2.96	8.89	2.99	8.87	3.02	8.81	3.08
	-4.4	-5	9.92	2.96	9.87	3.02	9.81	3.08	9.78	3.11	9.76	3.14	9.71	3.14
	0.7	0	10.82	3.08	10.76	3.14	10.70	3.07	10.48	3.00	10.27	2.94	9.84	2.80
	7	6	11.84	2.94	11.27	2.80	10.70	2.67	10.48	2.60	10.27	2.54	9.84	2.40
	11.2	10	11.84	2.69	11.27	2.57	10.70	2.45	10.48	2.39	10.27	2.33	9.84	2.20
	16.3	15	11.84	2.39	11.27	2.28	10.70	2.17	10.48	2.12	10.27	2.06	9.84	1.95
9 + 9 + 9 + 9 + 12	-13.7	-15	8.14	2.72	8.08	2.78	8.02	2.84	8.00	2.87	7.97	2.90	7.92	2.96
	-9.5	-10	9.03	2.84	8.97	2.90	8.92	2.96	8.89	2.99	8.87	3.02	8.81	3.08
	-4.4	-5	9.92	2.96	9.87	3.02	9.81	3.08	9.78	3.11	9.76	3.14	9.71	3.18
	0.7	0	10.82	3.08	10.76	3.14	10.70	3.12	10.48	3.05	10.27	2.98	9.84	2.85

7. Capacity Tables

Combi.	Outdoor Air Temp.		Indoor Air Temp. (°C, DB)											
			16.0		18.0		20.0		21.0		22.0		24.0	
	(°C, DB)	(°C, WB)	TC	PI	TC	PI	TC	PI	TC	PI	TC	PI	TC	PI
9 + 9 + 9 + 9 + 12	7	6	11.84	2.98	11.27	2.85	10.70	2.71	10.48	2.64	10.27	2.57	9.84	2.44
	11.2	10	11.84	2.73	11.27	2.61	10.70	2.48	10.48	2.42	10.27	2.36	9.84	2.24
	16.3	15	11.84	2.42	11.27	2.31	10.70	2.20	10.48	2.15	10.27	2.09	9.84	1.98
7 + 9 + 9 + 12 + 1 2	-13.7	-15	8.14	2.72	8.08	2.78	8.02	2.84	8.00	2.87	7.97	2.90	7.92	2.96
	-9.5	-10	9.03	2.84	8.97	2.90	8.92	2.96	8.89	2.99	8.87	3.02	8.81	3.08
	-4.4	-5	9.92	2.96	9.87	3.02	9.81	3.08	9.78	3.11	9.76	3.14	9.71	3.17
	0.7	0	10.82	3.08	10.76	3.14	10.70	3.11	10.48	3.04	10.27	2.97	9.84	2.84
	7	6	11.84	2.97	11.27	2.84	10.70	2.70	10.48	2.63	10.27	2.57	9.84	2.43
	11.2	10	11.84	2.72	11.27	2.60	10.70	2.48	10.48	2.41	10.27	2.35	9.84	2.23
	16.3	15	11.84	2.41	11.27	2.30	10.70	2.19	10.48	2.14	10.27	2.08	9.84	1.97
7 + 7 + 9 + 9 + 18	-13.7	-15	8.14	2.72	8.08	2.78	8.02	2.84	8.00	2.87	7.97	2.90	7.92	2.96
	-9.5	-10	9.03	2.84	8.97	2.90	8.92	2.96	8.89	2.99	8.87	3.02	8.81	3.08
	-4.4	-5	9.92	2.96	9.87	3.02	9.81	3.08	9.78	3.11	9.76	3.14	9.71	3.14
	0.7	0	10.82	3.08	10.76	3.14	10.70	3.07	10.48	3.00	10.27	2.94	9.84	2.80
	7	6	11.84	2.94	11.27	2.80	10.70	2.67	10.48	2.60	10.27	2.54	9.84	2.40
	11.2	10	11.84	2.69	11.27	2.57	10.70	2.45	10.48	2.39	10.27	2.33	9.84	2.20
	16.3	15	11.84	2.39	11.27	2.28	10.70	2.17	10.48	2.12	10.27	2.06	9.84	1.95
7 + 7 + 1 2 + 12 + 12	-13.7	-15	8.14	2.72	8.08	2.78	8.02	2.84	8.00	2.87	7.97	2.90	7.92	2.96
	-9.5	-10	9.03	2.84	8.97	2.90	8.92	2.96	8.89	2.99	8.87	3.02	8.81	3.08
	-4.4	-5	9.92	2.96	9.87	3.02	9.81	3.08	9.78	3.11	9.76	3.14	9.71	3.17
	0.7	0	10.82	3.08	10.76	3.14	10.70	3.11	10.48	3.04	10.27	2.97	9.84	2.84
	7	6	11.84	2.97	11.27	2.84	10.70	2.70	10.48	2.63	10.27	2.57	9.84	2.43
	11.2	10	11.84	2.72	11.27	2.60	10.70	2.48	10.48	2.41	10.27	2.35	9.84	2.23
	16.3	15	11.84	2.41	11.27	2.30	10.70	2.19	10.48	2.14	10.27	2.08	9.84	1.97
7 + 7 + 7 + 12 + 1 8	-13.7	-15	8.14	2.72	8.08	2.78	8.02	2.84	8.00	2.87	7.97	2.90	7.92	2.96
	-9.5	-10	9.03	2.84	8.97	2.90	8.92	2.96	8.89	2.99	8.87	3.02	8.81	3.08
	-4.4	-5	9.92	2.96	9.87	3.02	9.81	3.08	9.78	3.11	9.76	3.14	9.71	3.13
	0.7	0	10.82	3.08	10.76	3.14	10.70	3.06	10.48	2.99	10.27	2.93	9.84	2.79
	7	6	11.84	2.93	11.27	2.79	10.70	2.66	10.48	2.59	10.27	2.53	9.84	2.39
	11.2	10	11.84	2.68	11.27	2.56	10.70	2.44	10.48	2.38	10.27	2.32	9.84	2.19
	16.3	15	11.84	2.38	11.27	2.27	10.70	2.16	10.48	2.11	10.27	2.05	9.84	1.95
9 + 9 + 9 + 12 + 1 2	-13.7	-15	8.14	2.72	8.08	2.78	8.02	2.84	8.00	2.87	7.97	2.90	7.92	2.96
	-9.5	-10	9.03	2.84	8.97	2.90	8.92	2.96	8.89	2.99	8.87	3.02	8.81	3.08
	-4.4	-5	9.92	2.96	9.87	3.02	9.81	3.08	9.78	3.11	9.76	3.14	9.71	3.16
	0.7	0	10.82	3.08	10.76	3.14	10.70	3.09	10.48	3.03	10.27	2.96	9.84	2.82
	7	6	11.84	2.96	11.27	2.83	10.70	2.69	10.48	2.62	10.27	2.56	9.84	2.42
	11.2	10	11.84	2.71	11.27	2.59	10.70	2.47	10.48	2.40	10.27	2.34	9.84	2.22
	16.3	15	11.84	2.41	11.27	2.30	10.70	2.19	10.48	2.13	10.27	2.08	9.84	1.97
7 + 7 + 7 + 7 + 24	-13.7	-15	8.14	2.72	8.08	2.78	8.02	2.84	8.00	2.87	7.97	2.90	7.92	2.96
	-9.5	-10	9.03	2.84	8.97	2.90	8.92	2.96	8.89	2.99	8.87	3.02	8.81	3.08
	-4.4	-5	9.92	2.96	9.87	3.02	9.81	3.08	9.78	3.11	9.76	3.14	9.71	3.13
	0.7	0	10.82	3.08	10.76	3.14	10.70	3.06	10.48	2.99	10.27	2.93	9.84	2.79
	7	6	11.84	2.93	11.27	2.79	10.70	2.66	10.48	2.59	10.27	2.53	9.84	2.39
	11.2	10	11.84	2.68	11.27	2.56	10.70	2.44	10.48	2.38	10.27	2.32	9.84	2.19
	16.3	15	11.84	2.38	11.27	2.27	10.70	2.16	10.48	2.11	10.27	2.05	9.84	1.95
7 + 9 + 9 + 9 + 18	-13.7	-15	8.14	2.72	8.08	2.78	8.02	2.84	8.00	2.87	7.97	2.90	7.92	2.96
	-9.5	-10	9.03	2.84	8.97	2.90	8.92	2.96	8.89	2.99	8.87	3.02	8.81	3.08

7. Capacity Tables

Combi.	Outdoor Air Temp.		Indoor Air Temp. (°C, DB)											
			16.0		18.0		20.0		21.0		22.0		24.0	
	(°C, DB)	(°C, WB)	TC	PI	TC	PI	TC	PI	TC	PI	TC	PI	TC	PI
7 + 9 + 9 + 9 + 18	-4.4	-5	9.92	2.96	9.87	3.02	9.81	3.08	9.78	3.11	9.76	3.14	9.71	3.13
	0.7	0	10.82	3.08	10.76	3.14	10.70	3.06	10.48	2.99	10.27	2.93	9.84	2.79
	7	6	11.84	2.93	11.27	2.79	10.70	2.66	10.48	2.59	10.27	2.53	9.84	2.39
	11.2	10	11.84	2.68	11.27	2.56	10.70	2.44	10.48	2.38	10.27	2.32	9.84	2.19
	16.3	15	11.84	2.38	11.27	2.27	10.70	2.16	10.48	2.11	10.27	2.05	9.84	1.95
7 + 9 + 1 2 + 12 + 12	-13.7	-15	8.14	2.72	8.08	2.78	8.02	2.84	8.00	2.87	7.97	2.90	7.92	2.96
	-9.5	-10	9.03	2.84	8.97	2.90	8.92	2.96	8.89	2.99	8.87	3.02	8.81	3.08
	-4.4	-5	9.92	2.96	9.87	3.02	9.81	3.08	9.78	3.11	9.76	3.14	9.71	3.16
	0.7	0	10.82	3.08	10.76	3.14	10.70	3.09	10.48	3.03	10.27	2.96	9.84	2.82
	7	6	11.84	2.96	11.27	2.83	10.70	2.69	10.48	2.62	10.27	2.56	9.84	2.42
	11.2	10	11.84	2.71	11.27	2.59	10.70	2.47	10.48	2.40	10.27	2.34	9.84	2.22
7 + 7 + 9 + 12 + 1 8	16.3	15	11.84	2.41	11.27	2.30	10.70	2.19	10.48	2.13	10.27	2.08	9.84	1.97
	-13.7	-15	8.14	2.72	8.08	2.78	8.02	2.84	8.00	2.87	7.97	2.90	7.92	2.96
	-9.5	-10	9.03	2.84	8.97	2.90	8.92	2.96	8.89	2.99	8.87	3.02	8.81	3.08
	-4.4	-5	9.92	2.96	9.87	3.02	9.81	3.08	9.78	3.11	9.76	3.14	9.71	3.11
	0.7	0	10.82	3.08	10.76	3.14	10.70	3.05	10.48	2.98	10.27	2.92	9.84	2.78
	7	6	11.84	2.92	11.27	2.78	10.70	2.65	10.48	2.58	10.27	2.52	9.84	2.39
	11.2	10	11.84	2.67	11.27	2.55	10.70	2.43	10.48	2.37	10.27	2.31	9.84	2.19
7 + 7 + 7 + 9 + 24	16.3	15	11.84	2.37	11.27	2.26	10.70	2.15	10.48	2.10	10.27	2.05	9.84	1.94
	-13.7	-15	8.14	2.72	8.08	2.78	8.02	2.84	8.00	2.87	7.97	2.90	7.92	2.96
	-9.5	-10	9.03	2.84	8.97	2.90	8.92	2.96	8.89	2.99	8.87	3.02	8.81	3.08
	-4.4	-5	9.92	2.96	9.87	3.02	9.81	3.08	9.78	3.11	9.76	3.14	9.71	3.11
	0.7	0	10.82	3.08	10.76	3.14	10.70	3.05	10.48	2.98	10.27	2.92	9.84	2.78
	7	6	11.84	2.92	11.27	2.78	10.70	2.65	10.48	2.58	10.27	2.52	9.84	2.39
	11.2	10	11.84	2.67	11.27	2.55	10.70	2.43	10.48	2.37	10.27	2.31	9.84	2.19
9 + 9 + 9 + 9 + 18	16.3	15	11.84	2.37	11.27	2.26	10.70	2.15	10.48	2.10	10.27	2.05	9.84	1.94
	-13.7	-15	8.14	2.72	8.08	2.78	8.02	2.84	8.00	2.87	7.97	2.90	7.92	2.96
	-9.5	-10	9.03	2.84	8.97	2.90	8.92	2.96	8.89	2.99	8.87	3.02	8.81	3.08
	-4.4	-5	9.92	2.96	9.87	3.02	9.81	3.08	9.78	3.11	9.76	3.14	9.71	3.11
	0.7	0	10.82	3.08	10.76	3.14	10.70	3.05	10.48	2.98	10.27	2.92	9.84	2.78
	7	6	11.84	2.92	11.27	2.78	10.70	2.65	10.48	2.58	10.27	2.52	9.84	2.39
	11.2	10	11.84	2.67	11.27	2.55	10.70	2.43	10.48	2.37	10.27	2.31	9.84	2.19
9 + 9 + 1 2 + 12 + 12	16.3	15	11.84	2.37	11.27	2.26	10.70	2.15	10.48	2.10	10.27	2.05	9.84	1.94
	-13.7	-15	8.14	2.72	8.08	2.78	8.02	2.84	8.00	2.87	7.97	2.90	7.92	2.96
	-9.5	-10	9.03	2.84	8.97	2.90	8.92	2.96	8.89	2.99	8.87	3.02	8.81	3.08
	-4.4	-5	9.92	2.96	9.87	3.02	9.81	3.08	9.78	3.11	9.76	3.14	9.71	3.15
	0.7	0	10.82	3.08	10.76	3.14	10.70	3.08	10.48	3.02	10.27	2.95	9.84	2.81
	7	6	11.84	2.95	11.27	2.81	10.70	2.68	10.48	2.61	10.27	2.55	9.84	2.41
	11.2	10	11.84	2.70	11.27	2.58	10.70	2.46	10.48	2.40	10.27	2.33	9.84	2.21
7 + 9 + 9 + 12 + 1 8	16.3	15	11.84	2.40	11.27	2.29	10.70	2.18	10.48	2.12	10.27	2.07	9.84	1.96
	-13.7	-15	8.14	2.72	8.08	2.78	8.02	2.84	8.00	2.87	7.97	2.90	7.92	2.96
	-9.5	-10	9.03	2.84	8.97	2.90	8.92	2.96	8.89	2.99	8.87	3.02	8.81	3.08
	-4.4	-5	9.92	2.96	9.87	3.02	9.81	3.08	9.78	3.11	9.76	3.14	9.71	3.11
	0.7	0	10.82	3.08	10.76	3.14	10.70	3.05	10.48	2.98	10.27	2.92	9.84	2.78
	7	6	11.84	2.92	11.27	2.78	10.70	2.65	10.48	2.58	10.27	2.52	9.84	2.39
7 + 9 + 9 + 12 + 1 8	11.2	10	11.84	2.67	11.27	2.55	10.70	2.43	10.48	2.37	10.27	2.31	9.84	2.19
	16.3	15	11.84	2.37	11.27	2.26	10.70	2.15	10.48	2.10	10.27	2.05	9.84	1.94

7. Capacity Tables

Combi.	Outdoor Air Temp.		Indoor Air Temp. (°C, DB)											
			16.0		18.0		20.0		21.0		22.0		24.0	
	(°C, DB)	(°C, WB)	TC	PI	TC	PI	TC	PI	TC	PI	TC	PI	TC	PI
7 + 12 + 12 + 12	-13.7	-15	8.14	2.72	8.08	2.78	8.02	2.84	8.00	2.87	7.97	2.90	7.92	2.96
	-9.5	-10	9.03	2.84	8.97	2.90	8.92	2.96	8.89	2.99	8.87	3.02	8.81	3.08
	-4.4	-5	9.92	2.96	9.87	3.02	9.81	3.08	9.78	3.11	9.76	3.14	9.71	3.15
	0.7	0	10.82	3.08	10.76	3.14	10.70	3.08	10.48	3.02	10.27	2.95	9.84	2.81
	7	6	11.84	2.95	11.27	2.81	10.70	2.68	10.48	2.61	10.27	2.55	9.84	2.41
	11.2	10	11.84	2.70	11.27	2.58	10.70	2.46	10.48	2.40	10.27	2.33	9.84	2.21
	16.3	15	11.84	2.40	11.27	2.29	10.70	2.18	10.48	2.12	10.27	2.07	9.84	1.96
7 + 7 + 9 + 9 + 24	-13.7	-15	8.14	2.72	8.08	2.78	8.02	2.84	8.00	2.87	7.97	2.90	7.92	2.96
	-9.5	-10	9.03	2.84	8.97	2.90	8.92	2.96	8.89	2.99	8.87	3.02	8.81	3.08
	-4.4	-5	9.92	2.96	9.87	3.02	9.81	3.08	9.78	3.11	9.76	3.14	9.71	3.10
	0.7	0	10.82	3.08	10.76	3.14	10.70	3.04	10.48	2.97	10.27	2.90	9.84	2.77
	7	6	11.84	2.91	11.27	2.77	10.70	2.64	10.48	2.57	10.27	2.51	9.84	2.38
	11.2	10	11.84	2.66	11.27	2.54	10.70	2.42	10.48	2.36	10.27	2.30	9.84	2.18
	16.3	15	11.84	2.36	11.27	2.25	10.70	2.15	10.48	2.09	10.27	2.04	9.84	1.93
7 + 7 + 12 + 12 + 18	-13.7	-15	8.14	2.72	8.08	2.78	8.02	2.84	8.00	2.87	7.97	2.90	7.92	2.96
	-9.5	-10	9.03	2.84	8.97	2.90	8.92	2.96	8.89	2.99	8.87	3.02	8.81	3.08
	-4.4	-5	9.92	2.96	9.87	3.02	9.81	3.08	9.78	3.11	9.76	3.14	9.71	3.10
	0.7	0	10.82	3.08	10.76	3.14	10.70	3.04	10.48	2.97	10.27	2.90	9.84	2.77
	7	6	11.84	2.91	11.27	2.77	10.70	2.64	10.48	2.57	10.27	2.51	9.84	2.38
	11.2	10	11.84	2.66	11.27	2.54	10.70	2.42	10.48	2.36	10.27	2.30	9.84	2.18
	16.3	15	11.84	2.36	11.27	2.25	10.70	2.15	10.48	2.09	10.27	2.04	9.84	1.93
7 + 7 + 7 + 12 + 24	-13.7	-15	8.14	2.72	8.08	2.78	8.02	2.84	8.00	2.87	7.97	2.90	7.92	2.96
	-9.5	-10	9.03	2.84	8.97	2.90	8.92	2.96	8.89	2.99	8.87	3.02	8.81	3.08
	-4.4	-5	9.92	2.96	9.87	3.02	9.81	3.08	9.78	3.11	9.76	3.14	9.71	3.10
	0.7	0	10.82	3.08	10.76	3.14	10.70	3.04	10.48	2.97	10.27	2.90	9.84	2.77
	7	6	11.84	2.91	11.27	2.77	10.70	2.64	10.48	2.57	10.27	2.51	9.84	2.38
	11.2	10	11.84	2.66	11.27	2.54	10.70	2.42	10.48	2.36	10.27	2.30	9.84	2.18
	16.3	15	11.84	2.36	11.27	2.25	10.70	2.15	10.48	2.09	10.27	2.04	9.84	1.93
7 + 7 + 7 + 18 + 18	-	-15	8.14	2.72	8.08	2.78	8.02	2.84	8.00	2.87	7.97	2.90	7.92	2.96
	-	-10	9.03	2.84	8.97	2.90	8.92	2.96	8.89	2.99	8.87	3.02	8.81	3.08
	-	-5	9.92	2.96	9.87	3.02	9.81	3.08	9.78	3.11	9.76	3.14	9.71	3.07
	-	0	10.82	3.08	10.76	3.13	10.70	3.00	10.48	2.94	10.27	2.87	9.84	2.74
	-	6	11.84	2.87	11.27	2.74	10.70	2.61	10.48	2.54	10.27	2.48	9.84	2.35
	-	10	11.84	2.63	11.27	2.51	10.70	2.39	10.48	2.33	10.27	2.27	9.84	2.15
	-	15	11.84	2.33	11.27	2.23	10.70	2.12	10.48	2.07	10.27	2.01	9.84	1.91
9 + 9 + 9 + 12 + 18	-	-15	8.14	2.72	8.08	2.78	8.02	2.84	8.00	2.87	7.97	2.90	7.92	2.96
	-	-10	9.03	2.84	8.97	2.90	8.92	2.96	8.89	2.99	8.87	3.02	8.81	3.08
	-	-5	9.92	2.96	9.87	3.02	9.81	3.08	9.78	3.11	9.76	3.14	9.71	3.10
	-	0	10.82	3.08	10.76	3.14	10.70	3.04	10.48	2.97	10.27	2.90	9.84	2.77
	-	6	11.84	2.91	11.27	2.77	10.70	2.64	10.48	2.57	10.27	2.51	9.84	2.38
	-	10	11.84	2.66	11.27	2.54	10.70	2.42	10.48	2.36	10.27	2.30	9.84	2.18
	-	15	11.84	2.36	11.27	2.25	10.70	2.15	10.48	2.09	10.27	2.04	9.84	1.93
9 + 12 + 12 + 12	-	-15	8.14	2.72	8.08	2.78	8.02	2.84	8.00	2.87	7.97	2.90	7.92	2.96
	-	-10	9.03	2.84	8.97	2.90	8.92	2.96	8.89	2.99	8.87	3.02	8.81	3.08
	-	-5	9.92	2.96	9.87	3.02	9.81	3.08	9.78	3.11	9.76	3.14	9.71	3.14
	-	0	10.82	3.08	10.76	3.14	10.70	3.07	10.48	3.00	10.27	2.94	9.84	2.80
	-	6	11.84	2.94	11.27	2.80	10.70	2.67	10.48	2.60	10.27	2.54	9.84	2.40

7. Capacity Tables

Combi.	Outdoor Air Temp.		Indoor Air Temp. (°C, DB)											
			16.0		18.0		20.0		21.0		22.0		24.0	
	(°C, DB)	(°C, WB)	TC	PI	TC	PI	TC	PI	TC	PI	TC	PI	TC	PI
9 + 12 + 12 + 12 + 12	-	10	11.84	2.69	11.27	2.57	10.70	2.45	10.48	2.39	10.27	2.33	9.84	2.20
	-	15	11.84	2.39	11.27	2.28	10.70	2.17	10.48	2.12	10.27	2.06	9.84	1.95

Note

- DB : Dry bulb temperature(°C), WB : Wet bulb temperature(°C)
- TC : Total capacity(kW)
- PI : Power Input (kW, Compressor + indoor fan motor + outdoor fan motor)
- All capacities are net. A deduction (cooling mode) or an addition (heating mode) of Capacity due to operating heat of indoor unit motor is reflected.
- Capacities are based on the following conditions :
 - Interconnecting Piping Length (Both Main pipe and Branch pipe) is standard length.
 - Difference of Elevation (Outdoor ~ Indoor Unit) is 0 m.
- Direct interpolation is permissible. Do not extrapolate.
- Rated capacities and power inputs are based on standard temperature and piping conditions, and it can be found on specifications table. Except for rated value, the performance is not guaranteed.
- In accordance with the test standard(or nations) and indoor unit's combinations, the rating will vary slightly.

7. Capacity Tables

Z5UW48GFB1

Combi.	Outdoor Air Temp.		Indoor Air Temp. (°C, DB)											
			16.0		18.0		20.0		21.0		22.0		24.0	
	(°C, DB)	(°C, WB)	TC	PI	TC	PI	TC	PI	TC	PI	TC	PI	TC	PI
7 + 7	-13.7	-15	5.00	1.32	4.76	1.28	4.51	1.24	4.42	1.22	4.33	1.19	4.15	1.15
	-9.5	-10	5.00	1.22	4.76	1.17	4.51	1.13	4.42	1.11	4.33	1.09	4.15	1.05
	-4.4	-5	5.00	1.11	4.76	1.07	4.51	1.03	4.42	1.01	4.33	0.99	4.15	0.95
	0.7	0	5.00	1.01	4.76	0.97	4.51	0.93	4.42	0.91	4.33	0.89	4.15	0.85
	7	6	5.00	0.89	4.76	0.85	4.51	0.81	4.42	0.79	4.33	0.77	4.15	0.73
	11.2	10	5.00	0.82	4.76	0.78	4.51	0.74	4.42	0.72	4.33	0.71	4.15	0.67
	16.3	15	5.00	0.72	4.76	0.69	4.51	0.66	4.42	0.64	4.33	0.63	4.15	0.59
7 + 9	-13.7	-15	5.71	1.58	5.43	1.53	5.16	1.48	5.06	1.46	4.95	1.43	4.75	1.38
	-9.5	-10	5.71	1.46	5.43	1.41	5.16	1.36	5.06	1.33	4.95	1.31	4.75	1.26
	-4.4	-5	5.71	1.33	5.43	1.29	5.16	1.24	5.06	1.21	4.95	1.19	4.75	1.14
	0.7	0	5.71	1.21	5.43	1.16	5.16	1.12	5.06	1.09	4.95	1.07	4.75	1.02
	7	6	5.71	1.07	5.43	1.02	5.16	0.97	5.06	0.95	4.95	0.92	4.75	0.87
	11.2	10	5.71	0.98	5.43	0.93	5.16	0.89	5.06	0.87	4.95	0.84	4.75	0.80
	16.3	15	5.71	0.87	5.43	0.83	5.16	0.79	5.06	0.77	4.95	0.75	4.75	0.71
9 + 9	-13.7	-15	6.42	1.85	6.11	1.80	5.80	1.74	5.69	1.71	5.57	1.68	5.34	1.62
	-9.5	-10	6.42	1.71	6.11	1.65	5.80	1.60	5.69	1.57	5.57	1.54	5.34	1.48
	-4.4	-5	6.42	1.57	6.11	1.51	5.80	1.45	5.69	1.43	5.57	1.40	5.34	1.34
	0.7	0	6.42	1.43	6.11	1.37	5.80	1.31	5.69	1.28	5.57	1.25	5.34	1.20
	7	6	6.42	1.25	6.11	1.20	5.80	1.14	5.69	1.11	5.57	1.08	5.34	1.03
	11.2	10	6.42	1.15	6.11	1.10	5.80	1.05	5.69	1.02	5.57	0.99	5.34	0.94
	16.3	15	6.42	1.02	6.11	0.97	5.80	0.93	5.69	0.90	5.57	0.88	5.34	0.83
7 + 12	-13.7	-15	6.78	2.00	6.45	1.94	6.13	1.88	6.00	1.85	5.88	1.81	5.64	1.75
	-9.5	-10	6.78	1.85	6.45	1.78	6.13	1.72	6.00	1.69	5.88	1.66	5.64	1.60
	-4.4	-5	6.78	1.69	6.45	1.63	6.13	1.57	6.00	1.54	5.88	1.51	5.64	1.45
	0.7	0	6.78	1.54	6.45	1.48	6.13	1.41	6.00	1.38	5.88	1.35	5.64	1.29
	7	6	6.78	1.35	6.45	1.29	6.13	1.23	6.00	1.20	5.88	1.17	5.64	1.11
	11.2	10	6.78	1.24	6.45	1.18	6.13	1.13	6.00	1.10	5.88	1.07	5.64	1.01
	16.3	15	6.78	1.10	6.45	1.05	6.13	1.00	6.00	0.97	5.88	0.95	5.64	0.90
9 + 12	-13.7	-15	7.49	2.31	7.13	2.24	6.77	2.17	6.63	2.13	6.50	2.09	6.23	2.02
	-9.5	-10	7.49	2.13	7.13	2.06	6.77	1.99	6.63	1.95	6.50	1.92	6.23	1.85
	-4.4	-5	7.49	1.95	7.13	1.88	6.77	1.81	6.63	1.78	6.50	1.74	6.23	1.67
	0.7	0	7.49	1.78	7.13	1.70	6.77	1.63	6.63	1.60	6.50	1.56	6.23	1.49
	7	6	7.49	1.56	7.13	1.49	6.77	1.42	6.63	1.38	6.50	1.35	6.23	1.28
	11.2	10	7.49	1.43	7.13	1.37	6.77	1.30	6.63	1.27	6.50	1.24	6.23	1.17
	16.3	15	7.49	1.27	7.13	1.21	6.77	1.15	6.63	1.12	6.50	1.10	6.23	1.04
12 + 12	-13.7	-15	8.57	2.83	8.15	2.74	7.74	2.65	7.58	2.61	7.43	2.57	7.12	2.48
	-9.5	-10	8.57	2.61	8.15	2.52	7.74	2.44	7.58	2.39	7.43	2.35	7.12	2.26
	-4.4	-5	8.57	2.39	8.15	2.31	7.74	2.22	7.58	2.18	7.43	2.13	7.12	2.04
	0.7	0	8.57	2.18	8.15	2.09	7.74	2.00	7.58	1.96	7.43	1.91	7.12	1.83
	7	6	8.57	1.91	8.15	1.83	7.74	1.74	7.58	1.70	7.43	1.65	7.12	1.57
	11.2	10	8.57	1.76	8.15	1.68	7.74	1.60	7.58	1.56	7.43	1.52	7.12	1.44
	16.3	15	8.57	1.56	8.15	1.48	7.74	1.41	7.58	1.38	7.43	1.34	7.12	1.27
7 + 18	-13.7	-15	8.92	2.93	8.49	2.84	8.06	2.74	7.90	2.70	7.74	2.66	7.42	2.57
	-9.5	-10	8.92	2.70	8.49	2.61	8.06	2.52	7.90	2.48	7.74	2.43	7.42	2.34
	-4.4	-5	8.92	2.48	8.49	2.39	8.06	2.30	7.90	2.25	7.74	2.21	7.42	2.12
	0.7	0	8.92	2.25	8.49	2.16	8.06	2.07	7.90	2.03	7.74	1.98	7.42	1.89

7. Capacity Tables

Combi.	Outdoor Air Temp.		Indoor Air Temp. (°C, DB)											
			16.0		18.0		20.0		21.0		22.0		24.0	
	(°C, DB)	(°C, WB)	TC	PI	TC	PI	TC	PI	TC	PI	TC	PI	TC	PI
7 + 18	7	6	8.92	1.98	8.49	1.89	8.06	1.80	7.90	1.76	7.74	1.71	7.42	1.62
	11.2	10	8.92	1.82	8.49	1.73	8.06	1.65	7.90	1.61	7.74	1.57	7.42	1.49
	16.3	15	8.92	1.61	8.49	1.54	8.06	1.46	7.90	1.43	7.74	1.39	7.42	1.32
9 + 18	-13.7	-15	9.64	3.30	9.17	3.20	8.70	3.10	8.53	3.05	8.36	2.99	8.01	2.89
	-9.5	-10	9.64	3.05	9.17	2.94	8.70	2.84	8.53	2.79	8.36	2.74	8.01	2.64
	-4.4	-5	9.64	2.79	9.17	2.69	8.70	2.59	8.53	2.54	8.36	2.49	8.01	2.39
	0.7	0	9.64	2.54	9.17	2.44	8.70	2.33	8.53	2.28	8.36	2.23	8.01	2.13
	7	6	9.64	2.23	9.17	2.13	8.70	2.03	8.53	1.98	8.36	1.93	8.01	1.83
	11.2	10	9.64	2.05	9.17	1.95	8.70	1.86	8.53	1.81	8.36	1.77	8.01	1.68
	16.3	15	9.64	1.81	9.17	1.73	8.70	1.65	8.53	1.61	8.36	1.57	8.01	1.48
12 + 18	-13.7	-15	10.71	3.92	10.19	3.80	9.67	3.68	9.48	3.62	9.29	3.55	8.90	3.43
	-9.5	-10	10.71	3.62	10.19	3.49	9.67	3.37	9.48	3.31	9.29	3.25	8.90	3.13
	-4.4	-5	10.71	3.31	10.19	3.19	9.67	3.07	9.48	3.01	9.29	2.95	8.90	2.83
	0.7	0	10.71	3.01	10.19	2.89	9.67	2.77	9.48	2.71	9.29	2.65	8.90	2.53
	7	6	10.71	2.65	10.19	2.53	9.67	2.41	9.48	2.35	9.29	2.29	8.90	2.17
	11.2	10	10.71	2.43	10.19	2.32	9.67	2.21	9.48	2.15	9.29	2.10	8.90	1.99
	16.3	15	10.71	2.15	10.19	2.06	9.67	1.96	9.48	1.91	9.29	1.86	8.90	1.76
7 + 24	-13.7	-15	11.06	4.03	10.53	4.02	9.99	3.89	9.79	3.83	9.59	3.76	9.20	3.63
	-9.5	-10	11.06	3.83	10.53	3.70	9.99	3.57	9.79	3.51	9.59	3.44	9.20	3.32
	-4.4	-5	11.06	3.51	10.53	3.38	9.99	3.25	9.79	3.19	9.59	3.12	9.20	3.00
	0.7	0	11.06	3.19	10.53	3.06	9.99	2.93	9.79	2.87	9.59	2.81	9.20	2.68
	7	6	11.06	2.81	10.53	2.68	9.99	2.55	9.79	2.49	9.59	2.42	9.20	2.30
	11.2	10	11.06	2.57	10.53	2.45	9.99	2.34	9.79	2.28	9.59	2.22	9.20	2.10
	16.3	15	11.06	2.28	10.53	2.18	9.99	2.07	9.79	2.02	9.59	1.97	9.20	1.87
9 + 24	-13.7	-15	11.31	4.05	11.21	4.12	10.64	4.18	10.43	4.22	10.21	4.19	9.79	4.05
	-9.5	-10	11.78	4.18	11.21	4.12	10.64	3.98	10.43	3.91	10.21	3.83	9.79	3.69
	-4.4	-5	11.78	3.91	11.21	3.76	10.64	3.62	10.43	3.55	10.21	3.48	9.79	3.34
	0.7	0	11.78	3.55	11.21	3.41	10.64	3.27	10.43	3.20	10.21	3.12	9.79	2.98
	7	6	11.78	3.13	11.21	2.98	10.64	2.84	10.43	2.77	10.21	2.70	9.79	2.56
	11.2	10	11.78	2.86	11.21	2.73	10.64	2.60	10.43	2.54	10.21	2.47	9.79	2.34
	16.3	15	11.78	2.54	11.21	2.42	10.64	2.31	10.43	2.25	10.21	2.19	9.79	2.08
18 + 18	-13.7	-15	11.39	4.08	11.31	4.15	11.22	4.21	11.19	4.25	11.14	4.28	10.68	4.35
	-9.5	-10	12.32	4.21	12.23	4.28	11.61	4.35	11.37	4.38	11.14	4.35	10.68	4.19
	-4.4	-5	12.85	4.35	12.23	4.27	11.61	4.11	11.37	4.03	11.14	3.94	10.68	3.78
	0.7	0	12.85	4.03	12.23	3.86	11.61	3.70	11.37	3.62	11.14	3.54	10.68	3.38
	7	6	12.85	3.54	12.23	3.38	11.61	3.22	11.37	3.14	11.14	3.06	10.68	2.90
	11.2	10	12.85	3.25	12.23	3.10	11.61	2.95	11.37	2.88	11.14	2.80	10.68	2.66
	16.3	15	12.85	2.88	12.23	2.75	11.61	2.62	11.37	2.55	11.14	2.49	10.68	2.36
12 + 24	-13.7	-15	11.39	4.08	11.31	4.15	11.22	4.21	11.19	4.25	11.14	4.28	10.68	4.35
	-9.5	-10	12.32	4.21	12.23	4.28	11.61	4.35	11.37	4.38	11.14	4.41	10.68	4.32
	-4.4	-5	12.85	4.35	12.23	4.40	11.61	4.23	11.37	4.15	11.14	4.07	10.68	3.90
	0.7	0	12.85	4.15	12.23	3.98	11.61	3.82	11.37	3.74	11.14	3.65	10.68	3.49
	7	6	12.85	3.65	12.23	3.49	11.61	3.32	11.37	3.24	11.14	3.15	10.68	2.99
	11.2	10	12.85	3.35	12.23	3.20	11.61	3.04	11.37	2.97	11.14	2.89	10.68	2.74
	16.3	15	12.85	2.97	12.23	2.83	11.61	2.70	11.37	2.63	11.14	2.56	10.68	2.43
18 + 24	-13.7	-15	11.54	4.37	11.46	4.44	11.38	4.51	11.34	4.55	11.31	4.59	11.23	4.66
	-9.5	-10	12.49	4.51	12.41	4.59	12.33	4.66	12.29	4.69	12.25	4.73	12.18	4.80

7. Capacity Tables

Combi.	Outdoor Air Temp.		Indoor Air Temp. (°C, DB)											
			16.0		18.0		20.0		21.0		22.0		24.0	
	(°C, DB)	(°C, WB)	TC	PI	TC	PI	TC	PI	TC	PI	TC	PI	TC	PI
18 + 24	-4.4	-5	13.44	4.66	13.36	4.73	13.28	4.80	13.24	4.84	13.00	4.87	12.46	4.94
	0.7	0	14.39	4.80	14.27	4.87	13.54	4.94	13.27	4.82	13.00	4.70	12.46	4.45
	7	6	14.99	4.73	14.27	4.52	13.54	4.30	13.27	4.19	13.00	4.09	12.46	3.87
	11.2	10	14.99	4.34	14.27	4.14	13.54	3.94	13.27	3.84	13.00	3.74	12.46	3.55
	16.3	15	14.99	3.84	14.27	3.67	13.54	3.49	13.27	3.41	13.00	3.32	12.46	3.14
24 + 24	-13.7	-15	11.61	4.88	11.52	4.96	11.44	5.04	11.41	5.08	11.37	5.12	11.30	5.20
	-9.5	-10	12.56	5.04	12.48	5.12	12.40	5.20	12.36	5.24	12.32	5.28	12.25	5.36
	-4.4	-5	13.51	5.20	13.43	5.28	13.35	5.36	13.31	5.40	13.28	5.44	13.16	5.52
	0.7	0	14.47	5.36	14.38	5.44	14.30	5.52	14.02	5.38	13.73	5.24	13.16	4.97
	7	6	15.83	5.28	15.07	5.04	14.30	4.80	14.02	4.68	13.73	4.56	13.16	4.32
	11.2	10	15.83	4.84	15.07	4.62	14.30	4.40	14.02	4.29	13.73	4.18	13.16	3.96
7 + 7 + 7	16.3	15	15.83	4.29	15.07	4.10	14.30	3.90	14.02	3.80	13.73	3.71	13.16	3.51
	-13.7	-15	7.49	2.19	7.13	2.13	6.77	2.06	6.63	2.03	6.50	1.99	6.23	1.92
	-9.5	-10	7.49	2.03	7.13	1.96	6.77	1.89	6.63	1.86	6.50	1.82	6.23	1.76
	-4.4	-5	7.49	1.86	7.13	1.79	6.77	1.72	6.63	1.69	6.50	1.65	6.23	1.59
	0.7	0	7.49	1.69	7.13	1.62	6.77	1.55	6.63	1.52	6.50	1.49	6.23	1.42
	7	6	7.49	1.49	7.13	1.42	6.77	1.35	6.63	1.32	6.50	1.28	6.23	1.22
	11.2	10	7.49	1.36	7.13	1.30	6.77	1.24	6.63	1.21	6.50	1.18	6.23	1.11
7 + 7 + 9	16.3	15	7.49	1.21	7.13	1.15	6.77	1.10	6.63	1.07	6.50	1.04	6.23	0.99
	-13.7	-15	8.21	2.49	7.81	2.41	7.42	2.33	7.27	2.30	7.12	2.26	6.82	2.18
	-9.5	-10	8.21	2.30	7.81	2.22	7.42	2.14	7.27	2.10	7.12	2.07	6.82	1.99
	-4.4	-5	8.21	2.10	7.81	2.03	7.42	1.95	7.27	1.91	7.12	1.87	6.82	1.80
	0.7	0	8.21	1.91	7.81	1.84	7.42	1.76	7.27	1.72	7.12	1.68	6.82	1.61
	7	6	8.21	1.68	7.81	1.61	7.42	1.53	7.27	1.49	7.12	1.45	6.82	1.38
	11.2	10	8.21	1.54	7.81	1.47	7.42	1.40	7.27	1.37	7.12	1.33	6.82	1.26
7 + 9 + 9	16.3	15	8.21	1.37	7.81	1.31	7.42	1.24	7.27	1.21	7.12	1.18	6.82	1.12
	-13.7	-15	8.92	2.80	8.49	2.71	8.06	2.62	7.90	2.58	7.74	2.54	7.42	2.45
	-9.5	-10	8.92	2.58	8.49	2.49	8.06	2.41	7.90	2.37	7.74	2.32	7.42	2.24
	-4.4	-5	8.92	2.37	8.49	2.28	8.06	2.19	7.90	2.15	7.74	2.11	7.42	2.02
	0.7	0	8.92	2.15	8.49	2.06	8.06	1.98	7.90	1.94	7.74	1.89	7.42	1.81
	7	6	8.92	1.89	8.49	1.81	8.06	1.72	7.90	1.68	7.74	1.63	7.42	1.55
	11.2	10	8.92	1.73	8.49	1.66	8.06	1.58	7.90	1.54	7.74	1.50	7.42	1.42
7 + 7 + 1 2	16.3	15	8.92	1.54	8.49	1.47	8.06	1.40	7.90	1.36	7.74	1.33	7.42	1.26
	-13.7	-15	9.28	2.96	8.83	2.87	8.38	2.78	8.21	2.73	8.05	2.68	7.71	2.59
	-9.5	-10	9.28	2.73	8.83	2.64	8.38	2.55	8.21	2.50	8.05	2.46	7.71	2.37
	-4.4	-5	9.28	2.50	8.83	2.41	8.38	2.32	8.21	2.28	8.05	2.23	7.71	2.14
	0.7	0	9.28	2.28	8.83	2.18	8.38	2.09	8.21	2.05	8.05	2.00	7.71	1.91
	7	6	9.28	2.00	8.83	1.91	8.38	1.82	8.21	1.77	8.05	1.73	7.71	1.64
	11.2	10	9.28	1.84	8.83	1.75	8.38	1.67	8.21	1.63	8.05	1.59	7.71	1.50
9 + 9 + 9	16.3	15	9.28	1.63	8.83	1.55	8.38	1.48	8.21	1.44	8.05	1.40	7.71	1.33
	-13.7	-15	9.64	3.14	9.17	3.04	8.70	2.94	8.53	2.90	8.36	2.85	8.01	2.75
	-9.5	-10	9.64	2.90	9.17	2.80	8.70	2.70	8.53	2.65	8.36	2.61	8.01	2.51
	-4.4	-5	9.64	2.65	9.17	2.56	8.70	2.46	8.53	2.41	8.36	2.36	8.01	2.27
	0.7	0	9.64	2.41	9.17	2.32	8.70	2.22	8.53	2.17	8.36	2.12	8.01	2.03
	7	6	9.64	2.12	9.17	2.03	8.70	1.93	8.53	1.88	8.36	1.83	8.01	1.74
	11.2	10	9.64	1.95	9.17	1.86	8.70	1.77	8.53	1.73	8.36	1.68	8.01	1.59
	16.3	15	9.64	1.73	9.17	1.65	8.70	1.57	8.53	1.53	8.36	1.49	8.01	1.41

7. Capacity Tables

Combi.	Outdoor Air Temp.		Indoor Air Temp. (°C, DB)											
			16.0		18.0		20.0		21.0		22.0		24.0	
	(°C, DB)	(°C, WB)	TC	PI	TC	PI	TC	PI	TC	PI	TC	PI	TC	PI
7 + 9 + 1 2	-13.7	-15	9.99	3.32	9.51	3.21	9.03	3.11	8.85	3.06	8.67	3.01	8.31	2.91
	-9.5	-10	9.99	3.06	9.51	2.96	9.03	2.86	8.85	2.81	8.67	2.75	8.31	2.65
	-4.4	-5	9.99	2.81	9.51	2.70	9.03	2.60	8.85	2.55	8.67	2.50	8.31	2.40
	0.7	0	9.99	2.55	9.51	2.45	9.03	2.35	8.85	2.30	8.67	2.24	8.31	2.14
	7	6	9.99	2.24	9.51	2.14	9.03	2.04	8.85	1.99	8.67	1.94	8.31	1.84
	11.2	10	9.99	2.06	9.51	1.96	9.03	1.87	8.85	1.82	8.67	1.78	8.31	1.68
	16.3	15	9.99	1.82	9.51	1.74	9.03	1.66	8.85	1.62	8.67	1.57	8.31	1.49
9 + 9 + 1 2	-13.7	-15	10.71	3.87	10.19	3.75	9.67	3.63	9.48	3.57	9.29	3.51	8.90	3.39
	-9.5	-10	10.71	3.57	10.19	3.45	9.67	3.33	9.48	3.27	9.29	3.21	8.90	3.09
	-4.4	-5	10.71	3.27	10.19	3.15	9.67	3.03	9.48	2.98	9.29	2.92	8.90	2.80
	0.7	0	10.71	2.98	10.19	2.86	9.67	2.74	9.48	2.68	9.29	2.62	8.90	2.50
	7	6	10.71	2.62	10.19	2.50	9.67	2.38	9.48	2.32	9.29	2.26	8.90	2.14
	11.2	10	10.71	2.40	10.19	2.29	9.67	2.18	9.48	2.13	9.29	2.07	8.90	1.96
	16.3	15	10.71	2.13	10.19	2.03	9.67	1.93	9.48	1.89	9.29	1.84	8.90	1.74
7 + 12 + 12	-13.7	-15	11.06	4.03	10.53	3.94	9.99	3.81	9.79	3.75	9.59	3.69	9.20	3.56
	-9.5	-10	11.06	3.75	10.53	3.63	9.99	3.50	9.79	3.44	9.59	3.38	9.20	3.25
	-4.4	-5	11.06	3.44	10.53	3.31	9.99	3.19	9.79	3.13	9.59	3.06	9.20	2.94
	0.7	0	11.06	3.13	10.53	3.00	9.99	2.88	9.79	2.81	9.59	2.75	9.20	2.63
	7	6	11.06	2.75	10.53	2.63	9.99	2.50	9.79	2.44	9.59	2.38	9.20	2.25
	11.2	10	11.06	2.52	10.53	2.41	9.99	2.29	9.79	2.23	9.59	2.18	9.20	2.06
	16.3	15	11.06	2.24	10.53	2.13	9.99	2.03	9.79	1.98	9.59	1.93	9.20	1.83
7 + 7 + 1 8	-13.7	-15	11.28	4.04	10.87	4.06	10.32	3.93	10.11	3.87	9.90	3.81	9.49	3.68
	-9.5	-10	11.42	3.87	10.87	3.74	10.32	3.61	10.11	3.55	9.90	3.48	9.49	3.35
	-4.4	-5	11.42	3.55	10.87	3.42	10.32	3.29	10.11	3.23	9.90	3.16	9.49	3.03
	0.7	0	11.42	3.23	10.87	3.10	10.32	2.97	10.11	2.90	9.90	2.84	9.49	2.71
	7	6	11.42	2.84	10.87	2.71	10.32	2.58	10.11	2.52	9.90	2.45	9.49	2.32
	11.2	10	11.42	2.60	10.87	2.48	10.32	2.36	10.11	2.31	9.90	2.25	9.49	2.13
	16.3	15	11.42	2.31	10.87	2.20	10.32	2.10	10.11	2.04	9.90	1.99	9.49	1.89
9 + 12 + 12	-13.7	-15	11.31	4.05	11.21	4.12	10.64	4.18	10.43	4.14	10.21	4.07	9.79	3.93
	-9.5	-10	11.78	4.14	11.21	4.00	10.64	3.86	10.43	3.80	10.21	3.73	9.79	3.59
	-4.4	-5	11.78	3.80	11.21	3.66	10.64	3.52	10.43	3.45	10.21	3.38	9.79	3.24
	0.7	0	11.78	3.45	11.21	3.31	10.64	3.17	10.43	3.11	10.21	3.04	9.79	2.90
	7	6	11.78	3.04	11.21	2.90	10.64	2.76	10.43	2.69	10.21	2.62	9.79	2.48
	11.2	10	11.78	2.78	11.21	2.66	10.64	2.53	10.43	2.47	10.21	2.40	9.79	2.28
	16.3	15	11.78	2.47	11.21	2.36	10.64	2.24	10.43	2.19	10.21	2.13	9.79	2.02
7 + 9 + 1 8	-13.7	-15	11.33	4.06	11.25	4.13	10.96	4.19	10.74	4.23	10.52	4.17	10.08	4.03
	-9.5	-10	12.13	4.19	11.55	4.10	10.96	3.96	10.74	3.89	10.52	3.82	10.08	3.68
	-4.4	-5	12.13	3.89	11.55	3.75	10.96	3.61	10.74	3.54	10.52	3.47	10.08	3.33
	0.7	0	12.13	3.54	11.55	3.40	10.96	3.25	10.74	3.18	10.52	3.11	10.08	2.97
	7	6	12.13	3.11	11.55	2.97	10.96	2.83	10.74	2.76	10.52	2.69	10.08	2.55
	11.2	10	12.13	2.85	11.55	2.72	10.96	2.59	10.74	2.53	10.52	2.46	10.08	2.34
	16.3	15	12.13	2.53	11.55	2.41	10.96	2.30	10.74	2.24	10.52	2.18	10.08	2.07
9 + 9 + 1 8	-13.7	-15	11.39	4.08	11.31	4.15	11.22	4.21	11.19	4.25	11.14	4.28	10.68	4.35
	-9.5	-10	12.32	4.21	12.23	4.28	11.61	4.35	11.37	4.28	11.14	4.20	10.68	4.04
	-4.4	-5	12.85	4.28	12.23	4.12	11.61	3.97	11.37	3.89	11.14	3.81	10.68	3.65
	0.7	0	12.85	3.89	12.23	3.73	11.61	3.58	11.37	3.50	11.14	3.42	10.68	3.27
	7	6	12.85	3.42	12.23	3.27	11.61	3.11	11.37	3.03	11.14	2.95	10.68	2.80

7. Capacity Tables

Combi.	Outdoor Air Temp.		Indoor Air Temp. (°C, DB)											
			16.0		18.0		20.0		21.0		22.0		24.0	
	(°C, DB)	(°C, WB)	TC	PI	TC	PI	TC	PI	TC	PI	TC	PI	TC	PI
9 + 9 + 1 8	11.2	10	12.85	3.14	12.23	2.99	11.61	2.85	11.37	2.78	11.14	2.71	10.68	2.57
	16.3	15	12.85	2.78	12.23	2.65	11.61	2.53	11.37	2.46	11.14	2.40	10.68	2.27
12 + 12 + 12	-13.7	-15	11.39	4.08	11.31	4.15	11.22	4.21	11.19	4.25	11.14	4.28	10.68	4.35
	-9.5	-10	12.32	4.21	12.23	4.28	11.61	4.35	11.37	4.36	11.14	4.28	10.68	4.12
	-4.4	-5	12.85	4.35	12.23	4.20	11.61	4.04	11.37	3.96	11.14	3.88	10.68	3.73
	0.7	0	12.85	3.96	12.23	3.80	11.61	3.65	11.37	3.57	11.14	3.49	10.68	3.33
	7	6	12.85	3.49	12.23	3.33	11.61	3.17	11.37	3.09	11.14	3.01	10.68	2.85
	11.2	10	12.85	3.20	12.23	3.05	11.61	2.91	11.37	2.83	11.14	2.76	10.68	2.62
	16.3	15	12.85	2.83	12.23	2.70	11.61	2.58	11.37	2.51	11.14	2.45	10.68	2.32
7 + 12 + 18	-13.7	-15	11.41	4.09	11.33	4.16	11.25	4.22	11.21	4.26	11.18	4.29	10.97	4.36
	-9.5	-10	12.35	4.22	12.27	4.29	11.93	4.36	11.69	4.39	11.45	4.39	10.97	4.23
	-4.4	-5	13.21	4.36	12.57	4.31	11.93	4.14	11.69	4.06	11.45	3.98	10.97	3.82
	0.7	0	13.21	4.06	12.57	3.90	11.93	3.74	11.69	3.66	11.45	3.58	10.97	3.41
	7	6	13.21	3.58	12.57	3.41	11.93	3.25	11.69	3.17	11.45	3.09	10.97	2.93
	11.2	10	13.21	3.28	12.57	3.13	11.93	2.98	11.69	2.90	11.45	2.83	10.97	2.68
	16.3	15	13.21	2.91	12.57	2.77	11.93	2.64	11.69	2.57	11.45	2.51	10.97	2.38
7 + 7 + 2 4	-13.7	-15	11.44	4.10	11.36	4.17	11.28	4.23	11.24	4.27	11.20	4.30	11.13	4.37
	-9.5	-10	12.38	4.23	12.30	4.30	12.22	4.37	12.01	4.40	11.76	4.43	11.27	4.42
	-4.4	-5	13.32	4.37	12.91	4.43	12.25	4.34	12.01	4.25	11.76	4.17	11.27	4.00
	0.7	0	13.56	4.25	12.91	4.08	12.25	3.91	12.01	3.83	11.76	3.74	11.27	3.57
	7	6	13.56	3.74	12.91	3.57	12.25	3.40	12.01	3.32	11.76	3.23	11.27	3.06
	11.2	10	13.56	3.43	12.91	3.27	12.25	3.12	12.01	3.04	11.76	2.96	11.27	2.81
	16.3	15	13.56	3.04	12.91	2.90	12.25	2.76	12.01	2.69	11.76	2.62	11.27	2.49
9 + 12 + 18	-13.7	-15	11.46	4.11	11.38	4.18	11.30	4.24	11.27	4.28	11.23	4.31	11.16	4.38
	-9.5	-10	12.41	4.24	12.33	4.31	12.24	4.38	12.21	4.41	12.07	4.44	11.57	4.51
	-4.4	-5	13.35	4.38	13.25	4.44	12.57	4.51	12.32	4.44	12.07	4.35	11.57	4.17
	0.7	0	13.92	4.44	13.25	4.26	12.57	4.08	12.32	3.99	12.07	3.91	11.57	3.73
	7	6	13.92	3.91	13.25	3.73	12.57	3.55	12.32	3.46	12.07	3.37	11.57	3.20
	11.2	10	13.92	3.58	13.25	3.42	12.57	3.25	12.32	3.17	12.07	3.09	11.57	2.93
	16.3	15	13.92	3.17	13.25	3.03	12.57	2.88	12.32	2.81	12.07	2.74	11.57	2.60
7 + 9 + 2 4	-13.7	-15	11.49	4.12	11.41	4.18	11.33	4.25	11.29	4.29	11.26	4.32	11.18	4.39
	-9.5	-10	12.44	4.25	12.35	4.32	12.27	4.39	12.24	4.42	12.20	4.45	11.86	4.52
	-4.4	-5	13.38	4.39	13.30	4.45	12.90	4.52	12.64	4.56	12.38	4.55	11.86	4.36
	0.7	0	14.28	4.52	13.59	4.45	12.90	4.27	12.64	4.17	12.38	4.08	11.86	3.90
	7	6	14.28	4.08	13.59	3.90	12.90	3.71	12.64	3.62	12.38	3.52	11.86	3.34
	11.2	10	14.28	3.74	13.59	3.57	12.90	3.40	12.64	3.32	12.38	3.23	11.86	3.06
	16.3	15	14.28	3.32	13.59	3.17	12.90	3.01	12.64	2.94	12.38	2.86	11.86	2.71
9 + 9 + 2 4	-13.7	-15	11.54	4.14	11.46	4.20	11.38	4.27	11.34	4.31	11.31	4.34	11.23	4.41
	-9.5	-10	12.49	4.27	12.41	4.34	12.33	4.41	12.29	4.44	12.25	4.48	12.18	4.54
	-4.4	-5	13.44	4.41	13.36	4.48	13.28	4.54	13.24	4.58	13.00	4.61	12.46	4.68
	0.7	0	14.39	4.54	14.27	4.61	13.54	4.63	13.27	4.53	13.00	4.43	12.46	4.21
	7	6	14.99	4.43	14.27	4.23	13.54	4.03	13.27	3.93	13.00	3.83	12.46	3.63
	11.2	10	14.99	4.07	14.27	3.88	13.54	3.69	13.27	3.60	13.00	3.51	12.46	3.33
	16.3	15	14.99	3.60	14.27	3.44	13.54	3.27	13.27	3.19	13.00	3.11	12.46	2.95
12 + 12 + 18	-13.7	-15	11.54	4.14	11.46	4.20	11.38	4.27	11.34	4.31	11.31	4.34	11.23	4.41
	-9.5	-10	12.49	4.27	12.41	4.34	12.33	4.41	12.29	4.44	12.25	4.48	12.18	4.54
	-4.4	-5	13.44	4.41	13.36	4.48	13.28	4.54	13.24	4.58	13.00	4.61	12.46	4.68

7. Capacity Tables

Combi.	Outdoor Air Temp.		Indoor Air Temp. (°C, DB)											
			16.0		18.0		20.0		21.0		22.0		24.0	
	(°C, DB)	(°C, WB)	TC	PI	TC	PI	TC	PI	TC	PI	TC	PI	TC	PI
12 + 12 + 18	0.7	0	14.39	4.54	14.27	4.61	13.54	4.63	13.27	4.53	13.00	4.43	12.46	4.21
	7	6	14.99	4.43	14.27	4.23	13.54	4.03	13.27	3.93	13.00	3.83	12.46	3.63
	11.2	10	14.99	4.07	14.27	3.88	13.54	3.69	13.27	3.60	13.00	3.51	12.46	3.33
	16.3	15	14.99	3.60	14.27	3.44	13.54	3.27	13.27	3.19	13.00	3.11	12.46	2.95
7 + 12 + 24	-13.7	-15	11.57	4.27	11.49	4.34	11.41	4.41	11.37	4.45	11.33	4.48	11.26	4.55
	-9.5	-10	12.52	4.41	12.44	4.48	12.36	4.55	12.32	4.59	12.28	4.62	12.21	4.69
	-4.4	-5	13.47	4.55	13.39	4.62	13.31	4.69	13.27	4.73	13.23	4.76	12.75	4.83
	0.7	0	14.42	4.69	14.34	4.76	13.86	4.83	13.59	4.71	13.31	4.59	12.75	4.35
	7	6	15.35	4.62	14.60	4.41	13.86	4.20	13.59	4.10	13.31	3.99	12.75	3.78
	11.2	10	15.35	4.24	14.60	4.04	13.86	3.85	13.59	3.75	13.31	3.66	12.75	3.47
	16.3	15	15.35	3.76	14.60	3.58	13.86	3.41	13.59	3.33	13.31	3.24	12.75	3.07
7 + 18 + 18	-13.7	-15	11.57	4.19	11.49	4.26	11.41	4.33	11.37	4.36	11.33	4.39	11.26	4.46
	-9.5	-10	12.52	4.33	12.44	4.39	12.36	4.46	12.32	4.50	12.28	4.53	12.21	4.60
	-4.4	-5	13.47	4.46	13.39	4.53	13.31	4.60	13.27	4.64	13.23	4.67	12.75	4.74
	0.7	0	14.42	4.60	14.34	4.67	13.86	4.74	13.59	4.62	13.31	4.50	12.75	4.26
	7	6	15.35	4.53	14.60	4.33	13.86	4.12	13.59	4.02	13.31	3.91	12.75	3.71
	11.2	10	15.35	4.16	14.60	3.97	13.86	3.78	13.59	3.68	13.31	3.59	12.75	3.40
	16.3	15	15.35	3.68	14.60	3.52	13.86	3.35	13.59	3.26	13.31	3.18	12.75	3.01
9 + 12 + 24	-13.7	-15	11.61	4.34	11.52	4.41	11.44	4.48	11.41	4.52	11.37	4.55	11.30	4.63
	-9.5	-10	12.56	4.48	12.48	4.55	12.40	4.63	12.36	4.66	12.32	4.70	12.25	4.77
	-4.4	-5	13.51	4.63	13.43	4.70	13.35	4.77	13.31	4.80	13.28	4.84	13.16	4.91
	0.7	0	14.47	4.77	14.38	4.84	14.30	4.91	14.02	4.79	13.73	4.67	13.16	4.42
	7	6	15.83	4.70	15.07	4.48	14.30	4.27	14.02	4.16	13.73	4.06	13.16	3.84
	11.2	10	15.83	4.31	15.07	4.11	14.30	3.91	14.02	3.82	13.73	3.72	13.16	3.52
	16.3	15	15.83	3.82	15.07	3.64	14.30	3.47	14.02	3.38	13.73	3.30	13.16	3.12
9 + 18 + 18	-13.7	-15	11.61	4.25	11.52	4.32	11.44	4.39	11.41	4.42	11.37	4.46	11.30	4.53
	-9.5	-10	12.56	4.39	12.48	4.46	12.40	4.53	12.36	4.56	12.32	4.60	12.25	4.67
	-4.4	-5	13.51	4.53	13.43	4.60	13.35	4.67	13.31	4.70	13.28	4.74	13.16	4.81
	0.7	0	14.47	4.67	14.38	4.74	14.30	4.81	14.02	4.69	13.73	4.57	13.16	4.33
	7	6	15.83	4.60	15.07	4.39	14.30	4.18	14.02	4.08	13.73	3.97	13.16	3.76
	11.2	10	15.83	4.22	15.07	4.02	14.30	3.83	14.02	3.74	13.73	3.64	13.16	3.45
	16.3	15	15.83	3.74	15.07	3.57	14.30	3.40	14.02	3.31	13.73	3.23	13.16	3.06
12 + 12 + 24	-13.7	-15	11.61	4.32	11.52	4.39	11.44	4.46	11.41	4.50	11.37	4.53	11.30	4.60
	-9.5	-10	12.56	4.46	12.48	4.53	12.40	4.60	12.36	4.64	12.32	4.68	12.25	4.75
	-4.4	-5	13.51	4.60	13.43	4.68	13.35	4.75	13.31	4.78	13.28	4.82	13.16	4.89
	0.7	0	14.47	4.75	14.38	4.82	14.30	4.89	14.02	4.77	13.73	4.64	13.16	4.40
	7	6	15.83	4.68	15.07	4.46	14.30	4.25	14.02	4.14	13.73	4.04	13.16	3.83
	11.2	10	15.83	4.29	15.07	4.09	14.30	3.90	14.02	3.80	13.73	3.70	13.16	3.51
	16.3	15	15.83	3.80	15.07	3.63	14.30	3.45	14.02	3.37	13.73	3.28	13.16	3.11
12 + 18 + 18	-13.7	-15	11.61	4.23	11.52	4.30	11.44	4.37	11.41	4.40	11.37	4.44	11.30	4.51
	-9.5	-10	12.56	4.37	12.48	4.44	12.40	4.51	12.36	4.54	12.32	4.58	12.25	4.65
	-4.4	-5	13.51	4.51	13.43	4.58	13.35	4.65	13.31	4.68	13.28	4.71	13.16	4.78
	0.7	0	14.47	4.65	14.38	4.71	14.30	4.78	14.02	4.66	13.73	4.55	13.16	4.31
	7	6	15.83	4.58	15.07	4.37	14.30	4.16	14.02	4.06	13.73	3.95	13.16	3.74
	11.2	10	15.83	4.20	15.07	4.00	14.30	3.81	14.02	3.72	13.73	3.62	13.16	3.43
	16.3	15	15.83	3.72	15.07	3.55	14.30	3.38	14.02	3.30	13.73	3.21	13.16	3.04
7 + 18 + 24	-13.7	-15	11.61	4.23	11.52	4.30	11.44	4.37	11.41	4.40	11.37	4.44	11.30	4.51

7. Capacity Tables

Combi.	Outdoor Air Temp.		Indoor Air Temp. (°C, DB)											
			16.0		18.0		20.0		21.0		22.0		24.0	
	(°C, DB)	(°C, WB)	TC	PI	TC	PI	TC	PI	TC	PI	TC	PI	TC	PI
7 + 18 + 24	-9.5	-10	12.56	4.37	12.48	4.44	12.40	4.51	12.36	4.54	12.32	4.58	12.25	4.65
	-4.4	-5	13.51	4.51	13.43	4.58	13.35	4.65	13.31	4.68	13.28	4.71	13.16	4.78
	0.7	0	14.47	4.65	14.38	4.71	14.30	4.78	14.02	4.66	13.73	4.55	13.16	4.31
	7	6	15.83	4.58	15.07	4.37	14.30	4.16	14.02	4.06	13.73	3.95	13.16	3.74
	11.2	10	15.83	4.20	15.07	4.00	14.30	3.81	14.02	3.72	13.73	3.62	13.16	3.43
	16.3	15	15.83	3.72	15.07	3.55	14.30	3.38	14.02	3.30	13.73	3.21	13.16	3.04
9 + 18 + 24	-13.7	-15	11.61	4.21	11.52	4.28	11.44	4.35	11.41	4.38	11.37	4.42	11.30	4.48
	-9.5	-10	12.56	4.35	12.48	4.42	12.40	4.48	12.36	4.52	12.32	4.55	12.25	4.62
	-4.4	-5	13.51	4.48	13.43	4.55	13.35	4.62	13.31	4.66	13.28	4.69	13.16	4.76
	0.7	0	14.47	4.62	14.38	4.69	14.30	4.76	14.02	4.64	13.73	4.52	13.16	4.29
	7	6	15.83	4.56	15.07	4.35	14.30	4.14	14.02	4.04	13.73	3.93	13.16	3.73
	11.2	10	15.83	4.18	15.07	3.99	14.30	3.79	14.02	3.70	13.73	3.61	13.16	3.42
12 + 18 + 24	-13.7	-15	11.61	4.20	11.52	4.27	11.44	4.34	11.41	4.37	11.37	4.41	11.30	4.47
	-9.5	-10	12.56	4.34	12.48	4.41	12.40	4.47	12.36	4.51	12.32	4.54	12.25	4.61
	-4.4	-5	13.51	4.47	13.43	4.54	13.35	4.61	13.31	4.65	13.28	4.68	13.16	4.75
	0.7	0	14.47	4.61	14.38	4.68	14.30	4.75	14.02	4.63	13.73	4.51	13.16	4.28
	7	6	15.83	4.54	15.07	4.34	14.30	4.13	14.02	4.03	13.73	3.92	13.16	3.72
	11.2	10	15.83	4.17	15.07	3.98	14.30	3.79	14.02	3.69	13.73	3.60	13.16	3.41
18 + 18 + 18	-13.7	-15	11.61	4.11	11.52	4.17	11.44	4.24	11.41	4.28	11.37	4.31	11.30	4.38
	-9.5	-10	12.56	4.24	12.48	4.31	12.40	4.38	12.36	4.41	12.32	4.44	12.25	4.51
	-4.4	-5	13.51	4.38	13.43	4.44	13.35	4.51	13.31	4.55	13.28	4.58	13.16	4.65
	0.7	0	14.47	4.51	14.38	4.58	14.30	4.65	14.02	4.53	13.73	4.41	13.16	4.18
	7	6	15.83	4.45	15.07	4.24	14.30	4.04	14.02	3.94	13.73	3.84	13.16	3.64
	11.2	10	15.83	4.08	15.07	3.89	14.30	3.70	14.02	3.61	13.73	3.52	13.16	3.33
7 + 24 + 24	-13.7	-15	11.61	4.19	11.52	4.26	11.44	4.33	11.41	4.36	11.37	4.39	11.30	4.46
	-9.5	-10	12.56	4.33	12.48	4.39	12.40	4.46	12.36	4.50	12.32	4.53	12.25	4.60
	-4.4	-5	13.51	4.46	13.43	4.53	13.35	4.60	13.31	4.64	13.28	4.67	13.16	4.74
	0.7	0	14.47	4.60	14.38	4.67	14.30	4.74	14.02	4.62	13.73	4.50	13.16	4.26
	7	6	15.83	4.53	15.07	4.33	14.30	4.12	14.02	4.02	13.73	3.91	13.16	3.71
	11.2	10	15.83	4.16	15.07	3.97	14.30	3.78	14.02	3.68	13.73	3.59	13.16	3.40
9 + 24 + 24	-13.7	-15	11.61	4.18	11.52	4.25	11.44	4.32	11.41	4.35	11.37	4.38	11.30	4.45
	-9.5	-10	12.56	4.32	12.48	4.38	12.40	4.45	12.36	4.49	12.32	4.52	12.25	4.59
	-4.4	-5	13.51	4.45	13.43	4.52	13.35	4.59	13.31	4.62	13.28	4.66	13.16	4.73
	0.7	0	14.47	4.59	14.38	4.66	14.30	4.73	14.02	4.61	13.73	4.49	13.16	4.25
	7	6	15.83	4.52	15.07	4.32	14.30	4.11	14.02	4.01	13.73	3.90	13.16	3.70
	11.2	10	15.83	4.15	15.07	3.96	14.30	3.77	14.02	3.67	13.73	3.58	13.16	3.39
12 + 24 + 24	-13.7	-15	11.61	4.16	11.52	4.23	11.44	4.29	11.41	4.33	11.37	4.36	11.30	4.43
	-9.5	-10	12.56	4.29	12.48	4.36	12.40	4.43	12.36	4.46	12.32	4.50	12.25	4.57
	-4.4	-5	13.51	4.43	13.43	4.50	13.35	4.57	13.31	4.60	13.28	4.64	13.16	4.70
	0.7	0	14.47	4.57	14.38	4.64	14.30	4.70	14.02	4.59	13.73	4.47	13.16	4.23
	7	6	15.83	4.50	15.07	4.30	14.30	4.09	14.02	3.99	13.73	3.89	13.16	3.68
	11.2	10	15.83	4.13	15.07	3.94	14.30	3.75	14.02	3.66	13.73	3.56	13.16	3.37

7. Capacity Tables

Combi.	Outdoor Air Temp.		Indoor Air Temp. (°C, DB)											
			16.0		18.0		20.0		21.0		22.0		24.0	
	(°C, DB)	(°C, WB)	TC	PI	TC	PI	TC	PI	TC	PI	TC	PI	TC	PI
12 + 24 + 24	16.3	15	15.83	3.66	15.07	3.49	14.30	3.32	14.02	3.24	13.73	3.16	13.16	2.99
18 + 18 + 24	-13.7	-15	11.61	4.07	11.52	4.13	11.44	4.20	11.41	4.23	11.37	4.27	11.30	4.33
	-9.5	-10	12.56	4.20	12.48	4.27	12.40	4.33	12.36	4.37	12.32	4.40	12.25	4.47
	-4.4	-5	13.51	4.33	13.43	4.40	13.35	4.47	13.31	4.50	13.28	4.53	13.16	4.60
	0.7	0	14.47	4.47	14.38	4.53	14.30	4.60	14.02	4.49	13.73	4.37	13.16	4.14
	7	6	15.83	4.40	15.07	4.20	14.30	4.00	14.02	3.90	13.73	3.80	13.16	3.60
	11.2	10	15.83	4.03	15.07	3.85	14.30	3.67	14.02	3.58	13.73	3.48	13.16	3.30
	16.3	15	15.83	3.58	15.07	3.41	14.30	3.25	14.02	3.17	13.73	3.09	13.16	2.93
18 + 24 + 24	-13.7	-15	11.61	4.04	11.52	4.10	11.44	4.17	11.41	4.20	11.37	4.23	11.30	4.30
	-9.5	-10	12.56	4.17	12.48	4.23	12.40	4.30	12.36	4.33	12.32	4.37	12.25	4.43
	-4.4	-5	13.51	4.30	13.43	4.37	13.35	4.43	13.31	4.47	13.28	4.50	13.16	4.57
	0.7	0	14.47	4.43	14.38	4.50	14.30	4.57	14.02	4.45	13.73	4.34	13.16	4.11
	7	6	15.83	4.37	15.07	4.17	14.30	3.97	14.02	3.87	13.73	3.77	13.16	3.57
	11.2	10	15.83	4.00	15.07	3.82	14.30	3.64	14.02	3.55	13.73	3.46	13.16	3.28
	16.3	15	15.83	3.55	15.07	3.39	14.30	3.23	14.02	3.15	13.73	3.06	13.16	2.90
24 + 24 + 24	-13.7	-15	11.61	4.00	11.52	4.06	11.44	4.13	11.41	4.16	11.37	4.19	11.30	4.26
	-9.5	-10	12.56	4.13	12.48	4.19	12.40	4.26	12.36	4.29	12.32	4.32	12.25	4.39
	-4.4	-5	13.51	4.26	13.43	4.32	13.35	4.39	13.31	4.42	13.28	4.45	13.16	4.52
	0.7	0	14.47	4.39	14.38	4.45	14.30	4.52	14.02	4.41	13.73	4.29	13.16	4.07
	7	6	15.83	4.32	15.07	4.13	14.30	3.93	14.02	3.83	13.73	3.73	13.16	3.54
	11.2	10	15.83	3.96	15.07	3.78	14.30	3.60	14.02	3.51	13.73	3.42	13.16	3.24
	16.3	15	15.83	3.51	15.07	3.35	14.30	3.19	14.02	3.11	13.73	3.03	13.16	2.87
7 + 7 + 7 + 7	-13.7	-15	9.99	3.32	9.51	3.21	9.03	3.11	8.85	3.06	8.67	3.01	8.31	2.91
	-9.5	-10	9.99	3.06	9.51	2.96	9.03	2.86	8.85	2.81	8.67	2.75	8.31	2.65
	-4.4	-5	9.99	2.81	9.51	2.70	9.03	2.60	8.85	2.55	8.67	2.50	8.31	2.40
	0.7	0	9.99	2.55	9.51	2.45	9.03	2.35	8.85	2.30	8.67	2.24	8.31	2.14
	7	6	9.99	2.24	9.51	2.14	9.03	2.04	8.85	1.99	8.67	1.94	8.31	1.84
	11.2	10	9.99	2.06	9.51	1.96	9.03	1.87	8.85	1.82	8.67	1.78	8.31	1.68
	16.3	15	9.99	1.82	9.51	1.74	9.03	1.66	8.85	1.62	8.67	1.57	8.31	1.49
7 + 7 + 7 + 9	-13.7	-15	10.71	3.67	10.19	3.56	9.67	3.45	9.48	3.39	9.29	3.33	8.90	3.22
	-9.5	-10	10.71	3.39	10.19	3.28	9.67	3.16	9.48	3.11	9.29	3.05	8.90	2.94
	-4.4	-5	10.71	3.11	10.19	2.99	9.67	2.88	9.48	2.83	9.29	2.77	8.90	2.66
	0.7	0	10.71	2.83	10.19	2.71	9.67	2.60	9.48	2.54	9.29	2.49	8.90	2.37
	7	6	10.71	2.49	10.19	2.37	9.67	2.26	9.48	2.20	9.29	2.15	8.90	2.03
	11.2	10	10.71	2.28	10.19	2.18	9.67	2.07	9.48	2.02	9.29	1.97	8.90	1.86
	16.3	15	10.71	2.02	10.19	1.93	9.67	1.84	9.48	1.79	9.29	1.74	8.90	1.65
7 + 7 + 9 + 9	-13.7	-15	11.28	4.04	10.87	3.94	10.32	3.81	10.11	3.75	9.90	3.69	9.49	3.56
	-9.5	-10	11.42	3.75	10.87	3.63	10.32	3.50	10.11	3.44	9.90	3.38	9.49	3.25
	-4.4	-5	11.42	3.44	10.87	3.31	10.32	3.19	10.11	3.13	9.90	3.06	9.49	2.94
	0.7	0	11.42	3.13	10.87	3.00	10.32	2.88	10.11	2.81	9.90	2.75	9.49	2.63
	7	6	11.42	2.75	10.87	2.63	10.32	2.50	10.11	2.44	9.90	2.38	9.49	2.25
	11.2	10	11.42	2.52	10.87	2.41	10.32	2.29	10.11	2.23	9.90	2.18	9.49	2.06
	16.3	15	11.42	2.24	10.87	2.13	10.32	2.03	10.11	1.98	9.90	1.93	9.49	1.83
7 + 7 + 7 + 12	-13.7	-15	11.31	4.05	11.21	4.12	10.64	4.01	10.43	3.95	10.21	3.88	9.79	3.75
	-9.5	-10	11.78	3.95	11.21	3.81	10.64	3.68	10.43	3.62	10.21	3.55	9.79	3.42
	-4.4	-5	11.78	3.62	11.21	3.49	10.64	3.35	10.43	3.29	10.21	3.22	9.79	3.09
	0.7	0	11.78	3.29	11.21	3.16	10.64	3.02	10.43	2.96	10.21	2.89	9.79	2.76

7. Capacity Tables

Combi.	Outdoor Air Temp.		Indoor Air Temp. (°C, DB)											
			16.0		18.0		20.0		21.0		22.0		24.0	
	(°C, DB)	(°C, WB)	TC	PI	TC	PI	TC	PI	TC	PI	TC	PI	TC	PI
7 + 7 + 7 + 12	7	6	11.78	2.89	11.21	2.76	10.64	2.63	10.43	2.56	10.21	2.50	9.79	2.37
	11.2	10	11.78	2.65	11.21	2.53	10.64	2.41	10.43	2.35	10.21	2.29	9.79	2.17
	16.3	15	11.78	2.35	11.21	2.24	10.64	2.14	10.43	2.08	10.21	2.03	9.79	1.92
7 + 9 + 9 + 9	-13.7	-15	11.33	4.06	11.25	4.13	10.96	4.19	10.74	4.14	10.52	4.07	10.08	3.93
	-9.5	-10	12.13	4.14	11.55	4.00	10.96	3.86	10.74	3.80	10.52	3.73	10.08	3.59
	-4.4	-5	12.13	3.80	11.55	3.66	10.96	3.52	10.74	3.45	10.52	3.38	10.08	3.24
	0.7	0	12.13	3.45	11.55	3.31	10.96	3.17	10.74	3.11	10.52	3.04	10.08	2.90
	7	6	12.13	3.04	11.55	2.90	10.96	2.76	10.74	2.69	10.52	2.62	10.08	2.48
	11.2	10	12.13	2.78	11.55	2.66	10.96	2.53	10.74	2.47	10.52	2.40	10.08	2.28
	16.3	15	12.13	2.47	11.55	2.36	10.96	2.24	10.74	2.19	10.52	2.13	10.08	2.02
7 + 7 + 9 + 12	-13.7	-15	11.36	4.07	11.28	4.14	11.20	4.20	11.06	4.24	10.83	4.26	10.38	4.12
	-9.5	-10	12.29	4.20	11.89	4.19	11.28	4.05	11.06	3.97	10.83	3.90	10.38	3.76
	-4.4	-5	12.49	3.97	11.89	3.83	11.28	3.68	11.06	3.61	10.83	3.54	10.38	3.40
	0.7	0	12.49	3.61	11.89	3.47	11.28	3.32	11.06	3.25	10.83	3.18	10.38	3.03
	7	6	12.49	3.18	11.89	3.04	11.28	2.89	11.06	2.82	10.83	2.75	10.38	2.60
	11.2	10	12.49	2.92	11.89	2.78	11.28	2.65	11.06	2.58	10.83	2.52	10.38	2.38
	16.3	15	12.49	2.58	11.89	2.47	11.28	2.35	11.06	2.29	10.83	2.23	10.38	2.11
9 + 9 + 9 + 9	-13.7	-15	11.39	4.08	11.31	4.15	11.22	4.21	11.19	4.25	11.14	4.28	10.68	4.32
	-9.5	-10	12.32	4.21	12.23	4.28	11.61	4.24	11.37	4.17	11.14	4.09	10.68	3.94
	-4.4	-5	12.85	4.17	12.23	4.02	11.61	3.86	11.37	3.79	11.14	3.71	10.68	3.56
	0.7	0	12.85	3.79	12.23	3.64	11.61	3.48	11.37	3.41	11.14	3.33	10.68	3.18
	7	6	12.85	3.33	12.23	3.18	11.61	3.03	11.37	2.95	11.14	2.88	10.68	2.73
	11.2	10	12.85	3.06	12.23	2.92	11.61	2.78	11.37	2.71	11.14	2.64	10.68	2.50
	16.3	15	12.85	2.71	12.23	2.59	11.61	2.46	11.37	2.40	11.14	2.34	10.68	2.22
7 + 9 + 9 + 12	-13.7	-15	11.41	4.09	11.33	4.16	11.25	4.22	11.21	4.26	11.18	4.29	10.97	4.36
	-9.5	-10	12.35	4.22	12.27	4.29	11.93	4.36	11.69	4.36	11.45	4.28	10.97	4.12
	-4.4	-5	13.21	4.36	12.57	4.20	11.93	4.04	11.69	3.96	11.45	3.88	10.97	3.73
	0.7	0	13.21	3.96	12.57	3.80	11.93	3.65	11.69	3.57	11.45	3.49	10.97	3.33
	7	6	13.21	3.49	12.57	3.33	11.93	3.17	11.69	3.09	11.45	3.01	10.97	2.85
	11.2	10	13.21	3.20	12.57	3.05	11.93	2.91	11.69	2.83	11.45	2.76	10.97	2.62
	16.3	15	13.21	2.83	12.57	2.70	11.93	2.58	11.69	2.51	11.45	2.45	10.97	2.32
7 + 7 + 12 + 12	-13.7	-15	11.44	4.10	11.36	4.17	11.28	4.23	11.24	4.27	11.20	4.30	11.13	4.37
	-9.5	-10	12.38	4.23	12.30	4.30	12.22	4.37	12.01	4.40	11.76	4.43	11.27	4.32
	-4.4	-5	13.32	4.37	12.91	4.40	12.25	4.23	12.01	4.15	11.76	4.07	11.27	3.90
	0.7	0	13.56	4.15	12.91	3.98	12.25	3.82	12.01	3.74	11.76	3.65	11.27	3.49
	7	6	13.56	3.65	12.91	3.49	12.25	3.32	12.01	3.24	11.76	3.15	11.27	2.99
	11.2	10	13.56	3.35	12.91	3.20	12.25	3.04	12.01	2.97	11.76	2.89	11.27	2.74
	16.3	15	13.56	2.97	12.91	2.83	12.25	2.70	12.01	2.63	11.76	2.56	11.27	2.43
7 + 7 + 7 + 18	-13.7	-15	11.46	4.11	11.38	4.18	11.30	4.24	11.27	4.28	11.23	4.31	11.16	4.38
	-9.5	-10	12.41	4.24	12.33	4.31	12.24	4.38	12.21	4.41	12.07	4.44	11.57	4.45
	-4.4	-5	13.35	4.38	13.25	4.44	12.57	4.36	12.32	4.28	12.07	4.19	11.57	4.02
	0.7	0	13.92	4.28	13.25	4.10	12.57	3.93	12.32	3.85	12.07	3.76	11.57	3.59
	7	6	13.92	3.76	13.25	3.59	12.57	3.42	12.32	3.33	12.07	3.25	11.57	3.08
	11.2	10	13.92	3.45	13.25	3.29	12.57	3.14	12.32	3.06	12.07	2.98	11.57	2.82
	16.3	15	13.92	3.06	13.25	2.92	12.57	2.78	12.32	2.71	12.07	2.64	11.57	2.50
9 + 9 + 9 + 12	-13.7	-15	11.46	4.11	11.38	4.18	11.30	4.24	11.27	4.28	11.23	4.31	11.16	4.38
	-9.5	-10	12.41	4.24	12.33	4.31	12.24	4.38	12.21	4.41	12.07	4.44	11.57	4.51

7. Capacity Tables

Combi.	Outdoor Air Temp.		Indoor Air Temp. (°C, DB)											
			16.0		18.0		20.0		21.0		22.0		24.0	
	(°C, DB)	(°C, WB)	TC	PI	TC	PI	TC	PI	TC	PI	TC	PI	TC	PI
9 + 9 + 9 + 12	-4.4	-5	13.35	4.38	13.25	4.44	12.57	4.42	12.32	4.34	12.07	4.25	11.57	4.08
	0.7	0	13.92	4.34	13.25	4.16	12.57	3.99	12.32	3.90	12.07	3.82	11.57	3.64
	7	6	13.92	3.82	13.25	3.64	12.57	3.47	12.32	3.38	12.07	3.30	11.57	3.12
	11.2	10	13.92	3.50	13.25	3.34	12.57	3.18	12.32	3.10	12.07	3.02	11.57	2.86
	16.3	15	13.92	3.10	13.25	2.96	12.57	2.82	12.32	2.75	12.07	2.68	11.57	2.54
7 + 9 + 1 2 + 12	-13.7	-15	11.49	4.12	11.41	4.18	11.33	4.25	11.29	4.29	11.26	4.32	11.18	4.39
	-9.5	-10	12.44	4.25	12.35	4.32	12.27	4.39	12.24	4.42	12.20	4.45	11.86	4.52
	-4.4	-5	13.38	4.39	13.30	4.45	12.90	4.52	12.64	4.53	12.38	4.43	11.86	4.25
	0.7	0	14.28	4.52	13.59	4.34	12.90	4.16	12.64	4.07	12.38	3.98	11.86	3.80
	7	6	14.28	3.98	13.59	3.80	12.90	3.62	12.64	3.53	12.38	3.44	11.86	3.26
	11.2	10	14.28	3.65	13.59	3.48	12.90	3.32	12.64	3.24	12.38	3.15	11.86	2.99
	16.3	15	14.28	3.24	13.59	3.09	12.90	2.94	12.64	2.87	12.38	2.79	11.86	2.65
7 + 7 + 9 + 18	-13.7	-15	11.52	4.13	11.44	4.19	11.35	4.26	11.32	4.30	11.28	4.33	11.21	4.40
	-9.5	-10	12.46	4.26	12.38	4.33	12.30	4.40	12.26	4.43	12.23	4.46	12.15	4.53
	-4.4	-5	13.41	4.40	13.33	4.46	13.22	4.53	12.95	4.57	12.69	4.57	12.16	4.38
	0.7	0	14.36	4.53	13.93	4.48	13.22	4.29	12.95	4.20	12.69	4.10	12.16	3.92
	7	6	14.63	4.10	13.93	3.92	13.22	3.73	12.95	3.64	12.69	3.54	12.16	3.36
	11.2	10	14.63	3.76	13.93	3.59	13.22	3.42	12.95	3.33	12.69	3.25	12.16	3.08
	16.3	15	14.63	3.33	13.93	3.18	13.22	3.03	12.95	2.95	12.69	2.88	12.16	2.73
9 + 9 + 1 2 + 12	-13.7	-15	11.54	4.14	11.46	4.20	11.38	4.27	11.34	4.31	11.31	4.34	11.23	4.41
	-9.5	-10	12.49	4.27	12.41	4.34	12.33	4.41	12.29	4.44	12.25	4.48	12.18	4.54
	-4.4	-5	13.44	4.41	13.36	4.48	13.28	4.54	13.24	4.58	13.00	4.61	12.46	4.64
	0.7	0	14.39	4.54	14.27	4.61	13.54	4.54	13.27	4.44	13.00	4.35	12.46	4.15
	7	6	14.99	4.35	14.27	4.15	13.54	3.95	13.27	3.85	13.00	3.75	12.46	3.56
	11.2	10	14.99	3.98	14.27	3.80	13.54	3.62	13.27	3.53	13.00	3.44	12.46	3.26
	16.3	15	14.99	3.53	14.27	3.37	13.54	3.21	13.27	3.13	13.00	3.05	12.46	2.89
7 + 9 + 9 + 18	-13.7	-15	11.57	4.15	11.49	4.21	11.41	4.28	11.37	4.32	11.33	4.35	11.26	4.42
	-9.5	-10	12.52	4.28	12.44	4.35	12.36	4.42	12.32	4.45	12.28	4.49	12.21	4.55
	-4.4	-5	13.47	4.42	13.39	4.49	13.31	4.55	13.27	4.59	13.23	4.62	12.75	4.69
	0.7	0	14.42	4.55	14.34	4.62	13.86	4.66	13.59	4.56	13.31	4.46	12.75	4.22
	7	6	15.35	4.46	14.60	4.25	13.86	4.05	13.59	3.95	13.31	3.85	12.75	3.65
	11.2	10	15.35	4.09	14.60	3.90	13.86	3.71	13.59	3.62	13.31	3.53	12.75	3.34
	16.3	15	15.35	3.62	14.60	3.46	13.86	3.29	13.59	3.21	13.31	3.13	12.75	2.96
7 + 12 + 12 + 12	-13.7	-15	11.57	4.19	11.49	4.26	11.41	4.33	11.37	4.36	11.33	4.39	11.26	4.46
	-9.5	-10	12.52	4.33	12.44	4.39	12.36	4.46	12.32	4.50	12.28	4.53	12.21	4.60
	-4.4	-5	13.47	4.46	13.39	4.53	13.31	4.60	13.27	4.64	13.23	4.67	12.75	4.74
	0.7	0	14.42	4.60	14.34	4.67	13.86	4.74	13.59	4.62	13.31	4.50	12.75	4.26
	7	6	15.35	4.53	14.60	4.33	13.86	4.12	13.59	4.02	13.31	3.91	12.75	3.71
	11.2	10	15.35	4.16	14.60	3.97	13.86	3.78	13.59	3.68	13.31	3.59	12.75	3.40
	16.3	15	15.35	3.68	14.60	3.52	13.86	3.35	13.59	3.26	13.31	3.18	12.75	3.01
7 + 7 + 1 2 + 18	-13.7	-15	11.60	4.30	11.51	4.37	11.43	4.44	11.39	4.48	11.36	4.51	11.28	4.58
	-9.5	-10	12.55	4.44	12.47	4.51	12.38	4.58	12.35	4.62	12.31	4.65	12.24	4.72
	-4.4	-5	13.50	4.58	13.42	4.65	13.34	4.72	13.30	4.76	13.26	4.79	13.05	4.86
	0.7	0	14.45	4.72	14.37	4.79	14.19	4.86	13.90	4.74	13.62	4.62	13.05	4.38
	7	6	15.70	4.65	14.94	4.44	14.19	4.23	13.90	4.12	13.62	4.02	13.05	3.81
	11.2	10	15.70	4.27	14.94	4.07	14.19	3.88	13.90	3.78	13.62	3.68	13.05	3.49
	16.3	15	15.70	3.78	14.94	3.61	14.19	3.44	13.90	3.35	13.62	3.27	13.05	3.09

7. Capacity Tables

Combi.	Outdoor Air Temp.		Indoor Air Temp. (°C, DB)											
			16.0		18.0		20.0		21.0		22.0		24.0	
	(°C, DB)	(°C, WB)	TC	PI	TC	PI	TC	PI	TC	PI	TC	PI	TC	PI
7 + 7 + 7 + 24	-13.7	-15	11.61	4.12	11.52	4.19	11.44	4.25	11.41	4.29	11.37	4.32	11.30	4.39
	-9.5	-10	12.56	4.25	12.48	4.32	12.40	4.39	12.36	4.42	12.32	4.46	12.25	4.52
	-4.4	-5	13.51	4.39	13.43	4.46	13.35	4.52	13.31	4.56	13.28	4.59	13.16	4.66
	0.7	0	14.47	4.52	14.38	4.59	14.30	4.66	14.02	4.54	13.73	4.42	13.16	4.19
	7	6	15.83	4.46	15.07	4.25	14.30	4.05	14.02	3.95	13.73	3.85	13.16	3.65
	11.2	10	15.83	4.09	15.07	3.90	14.30	3.71	14.02	3.62	13.73	3.53	13.16	3.34
	16.3	15	15.83	3.62	15.07	3.46	14.30	3.29	14.02	3.21	13.73	3.13	13.16	2.96
9 + 9 + 9 + 18	-13.7	-15	11.61	4.18	11.52	4.25	11.44	4.32	11.41	4.35	11.37	4.38	11.30	4.45
	-9.5	-10	12.56	4.32	12.48	4.38	12.40	4.45	12.36	4.49	12.32	4.52	12.25	4.59
	-4.4	-5	13.51	4.45	13.43	4.52	13.35	4.59	13.31	4.62	13.28	4.66	13.16	4.73
	0.7	0	14.47	4.59	14.38	4.66	14.30	4.73	14.02	4.61	13.73	4.49	13.16	4.25
	7	6	15.83	4.52	15.07	4.32	14.30	4.11	14.02	4.01	13.73	3.90	13.16	3.70
	11.2	10	15.83	4.15	15.07	3.96	14.30	3.77	14.02	3.67	13.73	3.58	13.16	3.39
	16.3	15	15.83	3.67	15.07	3.51	14.30	3.34	14.02	3.26	13.73	3.17	13.16	3.01
9 + 12 + 12 + 12	-13.7	-15	11.61	4.18	11.52	4.25	11.44	4.32	11.41	4.35	11.37	4.38	11.30	4.45
	-9.5	-10	12.56	4.32	12.48	4.38	12.40	4.45	12.36	4.49	12.32	4.52	12.25	4.59
	-4.4	-5	13.51	4.45	13.43	4.52	13.35	4.59	13.31	4.62	13.28	4.66	13.16	4.73
	0.7	0	14.47	4.59	14.38	4.66	14.30	4.73	14.02	4.61	13.73	4.49	13.16	4.25
	7	6	15.83	4.52	15.07	4.32	14.30	4.11	14.02	4.01	13.73	3.90	13.16	3.70
	11.2	10	15.83	4.15	15.07	3.96	14.30	3.77	14.02	3.67	13.73	3.58	13.16	3.39
	16.3	15	15.83	3.67	15.07	3.51	14.30	3.34	14.02	3.26	13.73	3.17	13.16	3.01
7 + 9 + 1 2 + 18	-13.7	-15	11.61	4.11	11.52	4.17	11.44	4.24	11.41	4.28	11.37	4.31	11.30	4.38
	-9.5	-10	12.56	4.24	12.48	4.31	12.40	4.38	12.36	4.41	12.32	4.44	12.25	4.51
	-4.4	-5	13.51	4.38	13.43	4.44	13.35	4.51	13.31	4.55	13.28	4.58	13.16	4.65
	0.7	0	14.47	4.51	14.38	4.58	14.30	4.65	14.02	4.53	13.73	4.41	13.16	4.18
	7	6	15.83	4.45	15.07	4.24	14.30	4.04	14.02	3.94	13.73	3.84	13.16	3.64
	11.2	10	15.83	4.08	15.07	3.89	14.30	3.70	14.02	3.61	13.73	3.52	13.16	3.33
	16.3	15	15.83	3.61	15.07	3.45	14.30	3.28	14.02	3.20	13.73	3.12	13.16	2.95
7 + 7 + 9 + 24	-13.7	-15	11.61	4.10	11.52	4.16	11.44	4.23	11.41	4.27	11.37	4.30	11.30	4.37
	-9.5	-10	12.56	4.23	12.48	4.30	12.40	4.37	12.36	4.40	12.32	4.43	12.25	4.50
	-4.4	-5	13.51	4.37	13.43	4.43	13.35	4.50	13.31	4.53	13.28	4.57	13.16	4.63
	0.7	0	14.47	4.50	14.38	4.57	14.30	4.63	14.02	4.52	13.73	4.40	13.16	4.17
	7	6	15.83	4.43	15.07	4.23	14.30	4.03	14.02	3.93	13.73	3.83	13.16	3.63
	11.2	10	15.83	4.07	15.07	3.88	14.30	3.69	14.02	3.60	13.73	3.51	13.16	3.33
	16.3	15	15.83	3.60	15.07	3.44	14.30	3.27	14.02	3.19	13.73	3.11	13.16	2.95
9 + 9 + 1 2 + 18	-13.7	-15	11.61	4.10	11.52	4.16	11.44	4.23	11.41	4.27	11.37	4.30	11.30	4.37
	-9.5	-10	12.56	4.23	12.48	4.30	12.40	4.37	12.36	4.40	12.32	4.43	12.25	4.50
	-4.4	-5	13.51	4.37	13.43	4.43	13.35	4.50	13.31	4.53	13.28	4.57	13.16	4.63
	0.7	0	14.47	4.50	14.38	4.57	14.30	4.63	14.02	4.52	13.73	4.40	13.16	4.17
	7	6	15.83	4.43	15.07	4.23	14.30	4.03	14.02	3.93	13.73	3.83	13.16	3.63
	11.2	10	15.83	4.07	15.07	3.88	14.30	3.69	14.02	3.60	13.73	3.51	13.16	3.33
	16.3	15	15.83	3.60	15.07	3.44	14.30	3.27	14.02	3.19	13.73	3.11	13.16	2.95
12 + 12 + 12 + 1 2	-13.7	-15	11.61	4.16	11.52	4.23	11.44	4.29	11.41	4.33	11.37	4.36	11.30	4.43
	-9.5	-10	12.56	4.29	12.48	4.36	12.40	4.43	12.36	4.46	12.32	4.50	12.25	4.57
	-4.4	-5	13.51	4.43	13.43	4.50	13.35	4.57	13.31	4.60	13.28	4.64	13.16	4.70
	0.7	0	14.47	4.57	14.38	4.64	14.30	4.70	14.02	4.59	13.73	4.47	13.16	4.23
	7	6	15.83	4.50	15.07	4.30	14.30	4.09	14.02	3.99	13.73	3.89	13.16	3.68

7. Capacity Tables

Combi.	Outdoor Air Temp.		Indoor Air Temp. (°C, DB)											
			16.0		18.0		20.0		21.0		22.0		24.0	
	(°C, DB)	(°C, WB)	TC	PI	TC	PI	TC	PI	TC	PI	TC	PI	TC	PI
12 + 12 + 12 + 1	11.2	10	15.83	4.13	15.07	3.94	14.30	3.75	14.02	3.66	13.73	3.56	13.16	3.37
	16.3	15	15.83	3.66	15.07	3.49	14.30	3.32	14.02	3.24	13.73	3.16	13.16	2.99
7 + 9 + 9 + 24	-13.7	-15	11.61	4.09	11.52	4.15	11.44	4.22	11.41	4.25	11.37	4.29	11.30	4.35
	-9.5	-10	12.56	4.22	12.48	4.29	12.40	4.35	12.36	4.39	12.32	4.42	12.25	4.49
	-4.4	-5	13.51	4.35	13.43	4.42	13.35	4.49	13.31	4.52	13.28	4.56	13.16	4.62
	0.7	0	14.47	4.49	14.38	4.56	14.30	4.62	14.02	4.51	13.73	4.39	13.16	4.16
	7	6	15.83	4.42	15.07	4.22	14.30	4.02	14.02	3.92	13.73	3.82	13.16	3.62
	11.2	10	15.83	4.05	15.07	3.87	14.30	3.68	14.02	3.59	13.73	3.50	13.16	3.32
	16.3	15	15.83	3.59	15.07	3.43	14.30	3.27	14.02	3.18	13.73	3.10	13.16	2.94
7 + 12 + 12 + 18	-13.7	-15	11.61	4.09	11.52	4.15	11.44	4.22	11.41	4.25	11.37	4.29	11.30	4.35
	-9.5	-10	12.56	4.22	12.48	4.29	12.40	4.35	12.36	4.39	12.32	4.42	12.25	4.49
	-4.4	-5	13.51	4.35	13.43	4.42	13.35	4.49	13.31	4.52	13.28	4.56	13.16	4.62
	0.7	0	14.47	4.49	14.38	4.56	14.30	4.62	14.02	4.51	13.73	4.39	13.16	4.16
	7	6	15.83	4.42	15.07	4.22	14.30	4.02	14.02	3.92	13.73	3.82	13.16	3.62
	11.2	10	15.83	4.05	15.07	3.87	14.30	3.68	14.02	3.59	13.73	3.50	13.16	3.32
	16.3	15	15.83	3.59	15.07	3.43	14.30	3.27	14.02	3.18	13.73	3.10	13.16	2.94
7 + 7 + 12 + 24	-13.7	-15	11.61	4.09	11.52	4.15	11.44	4.22	11.41	4.25	11.37	4.29	11.30	4.35
	-9.5	-10	12.56	4.22	12.48	4.29	12.40	4.35	12.36	4.39	12.32	4.42	12.25	4.49
	-4.4	-5	13.51	4.35	13.43	4.42	13.35	4.49	13.31	4.52	13.28	4.56	13.16	4.62
	0.7	0	14.47	4.49	14.38	4.56	14.30	4.62	14.02	4.51	13.73	4.39	13.16	4.16
	7	6	15.83	4.42	15.07	4.22	14.30	4.02	14.02	3.92	13.73	3.82	13.16	3.62
	11.2	10	15.83	4.05	15.07	3.87	14.30	3.68	14.02	3.59	13.73	3.50	13.16	3.32
	16.3	15	15.83	3.59	15.07	3.43	14.30	3.27	14.02	3.18	13.73	3.10	13.16	2.94
7 + 7 + 18 + 8	-13.7	-15	11.61	4.02	11.52	4.08	11.44	4.15	11.41	4.18	11.37	4.21	11.30	4.28
	-9.5	-10	12.56	4.15	12.48	4.21	12.40	4.28	12.36	4.31	12.32	4.35	12.25	4.41
	-4.4	-5	13.51	4.28	13.43	4.35	13.35	4.41	13.31	4.44	13.28	4.48	13.16	4.54
	0.7	0	14.47	4.41	14.38	4.48	14.30	4.54	14.02	4.43	13.73	4.32	13.16	4.09
	7	6	15.83	4.35	15.07	4.15	14.30	3.95	14.02	3.85	13.73	3.75	13.16	3.56
	11.2	10	15.83	3.98	15.07	3.80	14.30	3.62	14.02	3.53	13.73	3.44	13.16	3.26
	16.3	15	15.83	3.53	15.07	3.37	14.30	3.21	14.02	3.13	13.73	3.05	13.16	2.89
9 + 9 + 9 + 24	-13.7	-15	11.61	4.08	11.52	4.14	11.44	4.21	11.41	4.24	11.37	4.28	11.30	4.34
	-9.5	-10	12.56	4.21	12.48	4.28	12.40	4.34	12.36	4.38	12.32	4.41	12.25	4.48
	-4.4	-5	13.51	4.34	13.43	4.41	13.35	4.48	13.31	4.51	13.28	4.54	13.16	4.61
	0.7	0	14.47	4.48	14.38	4.54	14.30	4.61	14.02	4.50	13.73	4.38	13.16	4.15
	7	6	15.83	4.41	15.07	4.21	14.30	4.01	14.02	3.91	13.73	3.81	13.16	3.61
	11.2	10	15.83	4.04	15.07	3.86	14.30	3.68	14.02	3.58	13.73	3.49	13.16	3.31
	16.3	15	15.83	3.59	15.07	3.42	14.30	3.26	14.02	3.18	13.73	3.10	13.16	2.93
9 + 12 + 12 + 18	-13.7	-15	11.61	4.08	11.52	4.14	11.44	4.21	11.41	4.24	11.37	4.28	11.30	4.34
	-9.5	-10	12.56	4.21	12.48	4.28	12.40	4.34	12.36	4.38	12.32	4.41	12.25	4.48
	-4.4	-5	13.51	4.34	13.43	4.41	13.35	4.48	13.31	4.51	13.28	4.54	13.16	4.61
	0.7	0	14.47	4.48	14.38	4.54	14.30	4.61	14.02	4.50	13.73	4.38	13.16	4.15
	7	6	15.83	4.41	15.07	4.21	14.30	4.01	14.02	3.91	13.73	3.81	13.16	3.61
	11.2	10	15.83	4.04	15.07	3.86	14.30	3.68	14.02	3.58	13.73	3.49	13.16	3.31
	16.3	15	15.83	3.59	15.07	3.42	14.30	3.26	14.02	3.18	13.73	3.10	13.16	2.93
7 + 9 + 12 + 24	-13.7	-15	11.61	4.07	11.52	4.13	11.44	4.20	11.41	4.23	11.37	4.27	11.30	4.33
	-9.5	-10	12.56	4.20	12.48	4.27	12.40	4.33	12.36	4.37	12.32	4.40	12.25	4.47
	-4.4	-5	13.51	4.33	13.43	4.40	13.35	4.47	13.31	4.50	13.28	4.53	13.16	4.60

7. Capacity Tables

Combi.	Outdoor Air Temp.		Indoor Air Temp. (°C, DB)											
			16.0		18.0		20.0		21.0		22.0		24.0	
	(°C, DB)	(°C, WB)	TC	PI	TC	PI	TC	PI	TC	PI	TC	PI	TC	PI
7 + 9 + 1 2 + 24	0.7	0	14.47	4.47	14.38	4.53	14.30	4.60	14.02	4.49	13.73	4.37	13.16	4.14
	7	6	15.83	4.40	15.07	4.20	14.30	4.00	14.02	3.90	13.73	3.80	13.16	3.60
	11.2	10	15.83	4.03	15.07	3.85	14.30	3.67	14.02	3.58	13.73	3.48	13.16	3.30
	16.3	15	15.83	3.58	15.07	3.41	14.30	3.25	14.02	3.17	13.73	3.09	13.16	2.93
7 + 9 + 1 8 + 18	-13.7	-15	11.61	4.01	11.52	4.07	11.44	4.14	11.41	4.17	11.37	4.20	11.30	4.27
	-9.5	-10	12.56	4.14	12.48	4.20	12.40	4.27	12.36	4.30	12.32	4.33	12.25	4.40
	-4.4	-5	13.51	4.27	13.43	4.33	13.35	4.40	13.31	4.43	13.28	4.47	13.16	4.53
	0.7	0	14.47	4.40	14.38	4.47	14.30	4.53	14.02	4.42	13.73	4.30	13.16	4.08
	7	6	15.83	4.34	15.07	4.14	14.30	3.94	14.02	3.84	13.73	3.74	13.16	3.55
	11.2	10	15.83	3.97	15.07	3.79	14.30	3.61	14.02	3.52	13.73	3.43	13.16	3.25
9 + 9 + 1 2 + 24	16.3	15	15.83	3.52	15.07	3.36	14.30	3.20	14.02	3.12	13.73	3.04	13.16	2.88
	-13.7	-15	11.61	4.06	11.52	4.12	11.44	4.19	11.41	4.22	11.37	4.26	11.30	4.32
	-9.5	-10	12.56	4.19	12.48	4.26	12.40	4.32	12.36	4.36	12.32	4.39	12.25	4.46
	-4.4	-5	13.51	4.32	13.43	4.39	13.35	4.46	13.31	4.49	13.28	4.52	13.16	4.59
	0.7	0	14.47	4.46	14.38	4.52	14.30	4.59	14.02	4.47	13.73	4.36	13.16	4.13
	7	6	15.83	4.39	15.07	4.19	14.30	3.99	14.02	3.89	13.73	3.79	13.16	3.59
	11.2	10	15.83	4.02	15.07	3.84	14.30	3.66	14.02	3.57	13.73	3.47	13.16	3.29
9 + 9 + 1 8 + 18	16.3	15	15.83	3.57	15.07	3.40	14.30	3.24	14.02	3.16	13.73	3.08	13.16	2.92
	-13.7	-15	11.61	4.00	11.52	4.06	11.44	4.13	11.41	4.16	11.37	4.19	11.30	4.26
	-9.5	-10	12.56	4.13	12.48	4.19	12.40	4.26	12.36	4.29	12.32	4.32	12.25	4.39
	-4.4	-5	13.51	4.26	13.43	4.32	13.35	4.39	13.31	4.42	13.28	4.45	13.16	4.52
	0.7	0	14.47	4.39	14.38	4.45	14.30	4.52	14.02	4.41	13.73	4.29	13.16	4.07
	7	6	15.83	4.32	15.07	4.13	14.30	3.93	14.02	3.83	13.73	3.73	13.16	3.54
	11.2	10	15.83	3.96	15.07	3.78	14.30	3.60	14.02	3.51	13.73	3.42	13.16	3.24
12 + 12 + 12 + 1 8	16.3	15	15.83	3.51	15.07	3.35	14.30	3.19	14.02	3.11	13.73	3.03	13.16	2.87
	-13.7	-15	11.61	4.06	11.52	4.12	11.44	4.19	11.41	4.22	11.37	4.26	11.30	4.32
	-9.5	-10	12.56	4.19	12.48	4.26	12.40	4.32	12.36	4.36	12.32	4.39	12.25	4.46
	-4.4	-5	13.51	4.32	13.43	4.39	13.35	4.46	13.31	4.49	13.28	4.52	13.16	4.59
	0.7	0	14.47	4.46	14.38	4.52	14.30	4.59	14.02	4.47	13.73	4.36	13.16	4.13
	7	6	15.83	4.39	15.07	4.19	14.30	3.99	14.02	3.89	13.73	3.79	13.16	3.59
	11.2	10	15.83	4.02	15.07	3.84	14.30	3.66	14.02	3.57	13.73	3.47	13.16	3.29
7 + 12 + 12 + 24	16.3	15	15.83	3.57	15.07	3.40	14.30	3.24	14.02	3.16	13.73	3.08	13.16	2.92
	-13.7	-15	11.61	4.06	11.52	4.12	11.44	4.19	11.41	4.22	11.37	4.26	11.30	4.32
	-9.5	-10	12.56	4.19	12.48	4.26	12.40	4.32	12.36	4.36	12.32	4.39	12.25	4.46
	-4.4	-5	13.51	4.32	13.43	4.39	13.35	4.46	13.31	4.49	13.28	4.52	13.16	4.59
	0.7	0	14.47	4.46	14.38	4.52	14.30	4.59	14.02	4.47	13.73	4.36	13.16	4.13
	7	6	15.83	4.39	15.07	4.19	14.30	3.99	14.02	3.89	13.73	3.79	13.16	3.59
	11.2	10	15.83	4.02	15.07	3.84	14.30	3.66	14.02	3.57	13.73	3.47	13.16	3.29
7 + 12 + 18 + 18	16.3	15	15.83	3.57	15.07	3.40	14.30	3.24	14.02	3.16	13.73	3.08	13.16	2.92
	-13.7	-15	11.61	3.99	11.52	4.05	11.44	4.12	11.41	4.15	11.37	4.18	11.30	4.25
	-9.5	-10	12.56	4.12	12.48	4.18	12.40	4.25	12.36	4.28	12.32	4.31	12.25	4.38
	-4.4	-5	13.51	4.25	13.43	4.31	13.35	4.38	13.31	4.41	13.28	4.44	13.16	4.51
	0.7	0	14.47	4.38	14.38	4.44	14.30	4.51	14.02	4.40	13.73	4.28	13.16	4.06
	7	6	15.83	4.31	15.07	4.12	14.30	3.92	14.02	3.82	13.73	3.72	13.16	3.53
	11.2	10	15.83	3.95	15.07	3.77	14.30	3.59	14.02	3.50	13.73	3.41	13.16	3.23
7 + 7 + 1 8 + 24	16.3	15	15.83	3.50	15.07	3.34	14.30	3.19	14.02	3.11	13.73	3.03	13.16	2.87
	-13.7	-15	11.61	3.99	11.52	4.05	11.44	4.12	11.41	4.15	11.37	4.18	11.30	4.25

7. Capacity Tables

Combi.	Outdoor Air Temp.		Indoor Air Temp. (°C, DB)											
			16.0		18.0		20.0		21.0		22.0		24.0	
	(°C, DB)	(°C, WB)	TC	PI	TC	PI	TC	PI	TC	PI	TC	PI	TC	PI
7 + 7 + 1 8 + 24	-9.5	-10	12.56	4.12	12.48	4.18	12.40	4.25	12.36	4.28	12.32	4.31	12.25	4.38
	-4.4	-5	13.51	4.25	13.43	4.31	13.35	4.38	13.31	4.41	13.28	4.44	13.16	4.51
	0.7	0	14.47	4.38	14.38	4.44	14.30	4.51	14.02	4.40	13.73	4.28	13.16	4.06
	7	6	15.83	4.31	15.07	4.12	14.30	3.92	14.02	3.82	13.73	3.72	13.16	3.53
	11.2	10	15.83	3.95	15.07	3.77	14.30	3.59	14.02	3.50	13.73	3.41	13.16	3.23
	16.3	15	15.83	3.50	15.07	3.34	14.30	3.19	14.02	3.11	13.73	3.03	13.16	2.87
9 + 12 + 12 + 24	-13.7	-15	11.61	4.04	11.52	4.10	11.44	4.17	11.41	4.20	11.37	4.23	11.30	4.30
	-9.5	-10	12.56	4.17	12.48	4.23	12.40	4.30	12.36	4.33	12.32	4.37	12.25	4.43
	-4.4	-5	13.51	4.30	13.43	4.37	13.35	4.43	13.31	4.47	13.28	4.50	13.16	4.57
	0.7	0	14.47	4.43	14.38	4.50	14.30	4.57	14.02	4.45	13.73	4.34	13.16	4.11
	7	6	15.83	4.37	15.07	4.17	14.30	3.97	14.02	3.87	13.73	3.77	13.16	3.57
	11.2	10	15.83	4.00	15.07	3.82	14.30	3.64	14.02	3.55	13.73	3.46	13.16	3.28
9 + 12 + 18 + 18	-13.7	-15	11.61	3.98	11.52	4.04	11.44	4.11	11.41	4.14	11.37	4.17	11.30	4.24
	-9.5	-10	12.56	4.11	12.48	4.17	12.40	4.24	12.36	4.27	12.32	4.30	12.25	4.37
	-4.4	-5	13.51	4.24	13.43	4.30	13.35	4.37	13.31	4.40	13.28	4.43	13.16	4.50
	0.7	0	14.47	4.37	14.38	4.43	14.30	4.50	14.02	4.38	13.73	4.27	13.16	4.05
	7	6	15.83	4.30	15.07	4.11	14.30	3.91	14.02	3.81	13.73	3.71	13.16	3.52
	11.2	10	15.83	3.94	15.07	3.76	14.30	3.58	14.02	3.49	13.73	3.41	13.16	3.23
7 + 9 + 1 8 + 24	-13.7	-15	11.61	3.98	11.52	4.04	11.44	4.11	11.41	4.14	11.37	4.17	11.30	4.24
	-9.5	-10	12.56	4.11	12.48	4.17	12.40	4.24	12.36	4.27	12.32	4.30	12.25	4.37
	-4.4	-5	13.51	4.24	13.43	4.30	13.35	4.37	13.31	4.40	13.28	4.43	13.16	4.50
	0.7	0	14.47	4.37	14.38	4.43	14.30	4.50	14.02	4.38	13.73	4.27	13.16	4.05
	7	6	15.83	4.30	15.07	4.11	14.30	3.91	14.02	3.81	13.73	3.71	13.16	3.52
	11.2	10	15.83	3.94	15.07	3.76	14.30	3.58	14.02	3.49	13.73	3.41	13.16	3.23
9 + 9 + 1 8 + 24	-13.7	-15	11.61	3.97	11.52	4.03	11.44	4.10	11.41	4.13	11.37	4.16	11.30	4.22
	-9.5	-10	12.56	4.10	12.48	4.16	12.40	4.22	12.36	4.26	12.32	4.29	12.25	4.36
	-4.4	-5	13.51	4.22	13.43	4.29	13.35	4.36	13.31	4.39	13.28	4.42	13.16	4.48
	0.7	0	14.47	4.36	14.38	4.42	14.30	4.48	14.02	4.37	13.73	4.26	13.16	4.04
	7	6	15.83	4.29	15.07	4.10	14.30	3.90	14.02	3.80	13.73	3.71	13.16	3.51
	11.2	10	15.83	3.93	15.07	3.75	14.30	3.58	14.02	3.49	13.73	3.40	13.16	3.22
12 + 12 + 12 + 2 4	-13.7	-15	11.61	4.03	11.52	4.09	11.44	4.16	11.41	4.19	11.37	4.22	11.30	4.29
	-9.5	-10	12.56	4.16	12.48	4.22	12.40	4.29	12.36	4.32	12.32	4.36	12.25	4.42
	-4.4	-5	13.51	4.29	13.43	4.36	13.35	4.42	13.31	4.46	13.28	4.49	13.16	4.55
	0.7	0	14.47	4.42	14.38	4.49	14.30	4.55	14.02	4.44	13.73	4.33	13.16	4.10
	7	6	15.83	4.36	15.07	4.16	14.30	3.96	14.02	3.86	13.73	3.76	13.16	3.56
	11.2	10	15.83	3.99	15.07	3.81	14.30	3.63	14.02	3.54	13.73	3.45	13.16	3.27
12 + 12 + 18 + 1 8	-13.7	-15	11.61	3.97	11.52	4.03	11.44	4.10	11.41	4.13	11.37	4.16	11.30	4.22
	-9.5	-10	12.56	4.10	12.48	4.16	12.40	4.22	12.36	4.26	12.32	4.29	12.25	4.36
	-4.4	-5	13.51	4.22	13.43	4.29	13.35	4.36	13.31	4.39	13.28	4.42	13.16	4.48
	0.7	0	14.47	4.36	14.38	4.42	14.30	4.48	14.02	4.37	13.73	4.26	13.16	4.04
	7	6	15.83	4.29	15.07	4.10	14.30	3.90	14.02	3.80	13.73	3.71	13.16	3.51
	11.2	10	15.83	3.93	15.07	3.75	14.30	3.58	14.02	3.49	13.73	3.40	13.16	3.22

7. Capacity Tables

Combi.	Outdoor Air Temp.		Indoor Air Temp. (°C, DB)											
			16.0		18.0		20.0		21.0		22.0		24.0	
	(°C, DB)	(°C, WB)	TC	PI	TC	PI	TC	PI	TC	PI	TC	PI	TC	PI
12 + 12 + 18 + 18	16.3	15	15.83	3.49	15.07	3.33	14.30	3.17	14.02	3.09	13.73	3.01	13.16	2.85
7 + 12 + 18 + 24	-13.7	-15	11.61	3.95	11.52	4.02	11.44	4.08	11.41	4.12	11.37	4.15	11.30	4.21
	-9.5	-10	12.56	4.08	12.48	4.15	12.40	4.21	12.36	4.25	12.32	4.28	12.25	4.34
	-4.4	-5	13.51	4.21	13.43	4.28	13.35	4.34	13.31	4.38	13.28	4.41	13.16	4.47
	0.7	0	14.47	4.34	14.38	4.41	14.30	4.47	14.02	4.36	13.73	4.25	13.16	4.03
	7	6	15.83	4.28	15.07	4.09	14.30	3.89	14.02	3.79	13.73	3.70	13.16	3.50
	11.2	10	15.83	3.92	15.07	3.74	14.30	3.57	14.02	3.48	13.73	3.39	13.16	3.21
	16.3	15	15.83	3.48	15.07	3.32	14.30	3.16	14.02	3.08	13.73	3.00	13.16	2.85
7 + 18 + 18 + 18	-13.7	-15	11.61	3.89	11.52	3.96	11.44	4.02	11.41	4.05	11.37	4.09	11.30	4.15
	-9.5	-10	12.56	4.02	12.48	4.09	12.40	4.15	12.36	4.18	12.32	4.21	12.25	4.28
	-4.4	-5	13.51	4.15	13.43	4.21	13.35	4.28	13.31	4.31	13.28	4.34	13.16	4.40
	0.7	0	14.47	4.28	14.38	4.34	14.30	4.40	14.02	4.29	13.73	4.18	13.16	3.96
	7	6	15.83	4.21	15.07	4.02	14.30	3.83	14.02	3.73	13.73	3.64	13.16	3.45
	11.2	10	15.83	3.86	15.07	3.69	14.30	3.51	14.02	3.42	13.73	3.34	13.16	3.16
	16.3	15	15.83	3.42	15.07	3.27	14.30	3.11	14.02	3.03	13.73	2.96	13.16	2.80
7 + 7 + 24 + 24	-13.7	-15	11.61	3.94	11.52	4.01	11.44	4.07	11.41	4.11	11.37	4.14	11.30	4.20
	-9.5	-10	12.56	4.07	12.48	4.14	12.40	4.20	12.36	4.24	12.32	4.27	12.25	4.33
	-4.4	-5	13.51	4.20	13.43	4.27	13.35	4.33	13.31	4.37	13.28	4.40	13.16	4.46
	0.7	0	14.47	4.33	14.38	4.40	14.30	4.46	14.02	4.35	13.73	4.24	13.16	4.02
	7	6	15.83	4.27	15.07	4.07	14.30	3.88	14.02	3.78	13.73	3.69	13.16	3.49
	11.2	10	15.83	3.91	15.07	3.74	14.30	3.56	14.02	3.47	13.73	3.38	13.16	3.20
	16.3	15	15.83	3.47	15.07	3.31	14.30	3.15	14.02	3.07	13.73	3.00	13.16	2.84
9 + 12 + 18 + 24	-13.7	-15	11.61	3.94	11.52	4.01	11.44	4.07	11.41	4.11	11.37	4.14	11.30	4.20
	-9.5	-10	12.56	4.07	12.48	4.14	12.40	4.20	12.36	4.24	12.32	4.27	12.25	4.33
	-4.4	-5	13.51	4.20	13.43	4.27	13.35	4.33	13.31	4.37	13.28	4.40	13.16	4.46
	0.7	0	14.47	4.33	14.38	4.40	14.30	4.46	14.02	4.35	13.73	4.24	13.16	4.02
	7	6	15.83	4.27	15.07	4.07	14.30	3.88	14.02	3.78	13.73	3.69	13.16	3.49
	11.2	10	15.83	3.91	15.07	3.74	14.30	3.56	14.02	3.47	13.73	3.38	13.16	3.20
	16.3	15	15.83	3.47	15.07	3.31	14.30	3.15	14.02	3.07	13.73	3.00	13.16	2.84
9 + 18 + 18 + 18	-13.7	-15	11.61	3.88	11.52	3.95	11.44	4.01	11.41	4.04	11.37	4.07	11.30	4.14
	-9.5	-10	12.56	4.01	12.48	4.07	12.40	4.14	12.36	4.17	12.32	4.20	12.25	4.27
	-4.4	-5	13.51	4.14	13.43	4.20	13.35	4.27	13.31	4.30	13.28	4.33	13.16	4.39
	0.7	0	14.47	4.27	14.38	4.33	14.30	4.39	14.02	4.28	13.73	4.17	13.16	3.95
	7	6	15.83	4.20	15.07	4.01	14.30	3.82	14.02	3.72	13.73	3.63	13.16	3.44
	11.2	10	15.83	3.85	15.07	3.68	14.30	3.50	14.02	3.41	13.73	3.33	13.16	3.15
	16.3	15	15.83	3.42	15.07	3.26	14.30	3.10	14.02	3.03	13.73	2.95	13.16	2.79
7 + 9 + 24 + 24	-13.7	-15	11.61	3.93	11.52	4.00	11.44	4.06	11.41	4.10	11.37	4.13	11.30	4.19
	-9.5	-10	12.56	4.06	12.48	4.13	12.40	4.19	12.36	4.22	12.32	4.26	12.25	4.32
	-4.4	-5	13.51	4.19	13.43	4.26	13.35	4.32	13.31	4.35	13.28	4.39	13.16	4.45
	0.7	0	14.47	4.32	14.38	4.39	14.30	4.45	14.02	4.34	13.73	4.23	13.16	4.01
	7	6	15.83	4.26	15.07	4.06	14.30	3.87	14.02	3.77	13.73	3.68	13.16	3.48
	11.2	10	15.83	3.90	15.07	3.73	14.30	3.55	14.02	3.46	13.73	3.37	13.16	3.19
	16.3	15	15.83	3.46	15.07	3.30	14.30	3.14	14.02	3.07	13.73	2.99	13.16	2.83
9 + 9 + 24 + 24	-13.7	-15	11.61	3.92	11.52	3.99	11.44	4.05	11.41	4.09	11.37	4.12	11.30	4.18
	-9.5	-10	12.56	4.05	12.48	4.12	12.40	4.18	12.36	4.21	12.32	4.25	12.25	4.31
	-4.4	-5	13.51	4.18	13.43	4.25	13.35	4.31	13.31	4.34	13.28	4.37	13.16	4.44

7. Capacity Tables

Combi.	Outdoor Air Temp.		Indoor Air Temp. (°C, DB)											
			16.0		18.0		20.0		21.0		22.0		24.0	
	(°C, DB)	(°C, WB)	TC	PI	TC	PI	TC	PI	TC	PI	TC	PI	TC	PI
9 + 9 + 2 4 + 24	0.7	0	14.47	4.31	14.38	4.37	14.30	4.44	14.02	4.33	13.73	4.22	13.16	4.00
	7	6	15.83	4.25	15.07	4.05	14.30	3.86	14.02	3.76	13.73	3.67	13.16	3.47
	11.2	10	15.83	3.89	15.07	3.72	14.30	3.54	14.02	3.45	13.73	3.36	13.16	3.19
	16.3	15	15.83	3.45	15.07	3.29	14.30	3.14	14.02	3.06	13.73	2.98	13.16	2.82
12 + 12 + 18 + 2 4	-13.7	-15	11.61	3.92	11.52	3.99	11.44	4.05	11.41	4.09	11.37	4.12	11.30	4.18
	-9.5	-10	12.56	4.05	12.48	4.12	12.40	4.18	12.36	4.21	12.32	4.25	12.25	4.31
	-4.4	-5	13.51	4.18	13.43	4.25	13.35	4.31	13.31	4.34	13.28	4.37	13.16	4.44
	0.7	0	14.47	4.31	14.38	4.37	14.30	4.44	14.02	4.33	13.73	4.22	13.16	4.00
	7	6	15.83	4.25	15.07	4.05	14.30	3.86	14.02	3.76	13.73	3.67	13.16	3.47
	11.2	10	15.83	3.89	15.07	3.72	14.30	3.54	14.02	3.45	13.73	3.36	13.16	3.19
	16.3	15	15.83	3.45	15.07	3.29	14.30	3.14	14.02	3.06	13.73	2.98	13.16	2.82
12 + 18 + 18 + 1 8	-13.7	-15	11.61	3.86	11.52	3.93	11.44	3.99	11.41	4.02	11.37	4.05	11.30	4.12
	-9.5	-10	12.56	3.99	12.48	4.05	12.40	4.12	12.36	4.15	12.32	4.18	12.25	4.24
	-4.4	-5	13.51	4.12	13.43	4.18	13.35	4.24	13.31	4.27	13.28	4.31	13.16	4.37
	0.7	0	14.47	4.24	14.38	4.31	14.30	4.37	14.02	4.26	13.73	4.15	13.16	3.93
	7	6	15.83	4.18	15.07	3.99	14.30	3.80	14.02	3.71	13.73	3.61	13.16	3.42
	11.2	10	15.83	3.83	15.07	3.66	14.30	3.48	14.02	3.40	13.73	3.31	13.16	3.14
	16.3	15	15.83	3.40	15.07	3.24	14.30	3.09	14.02	3.01	13.73	2.93	13.16	2.78
7 + 12 + 24 + 24	-13.7	-15	11.61	3.91	11.52	3.98	11.44	4.04	11.41	4.07	11.37	4.11	11.30	4.17
	-9.5	-10	12.56	4.04	12.48	4.11	12.40	4.17	12.36	4.20	12.32	4.24	12.25	4.30
	-4.4	-5	13.51	4.17	13.43	4.24	13.35	4.30	13.31	4.33	13.28	4.36	13.16	4.43
	0.7	0	14.47	4.30	14.38	4.36	14.30	4.43	14.02	4.32	13.73	4.21	13.16	3.99
	7	6	15.83	4.24	15.07	4.04	14.30	3.85	14.02	3.75	13.73	3.66	13.16	3.47
	11.2	10	15.83	3.88	15.07	3.71	14.30	3.53	14.02	3.44	13.73	3.35	13.16	3.18
	16.3	15	15.83	3.44	15.07	3.29	14.30	3.13	14.02	3.05	13.73	2.97	13.16	2.82
7 + 18 + 18 + 24	-13.7	-15	11.61	3.86	11.52	3.93	11.44	3.99	11.41	4.02	11.37	4.05	11.30	4.12
	-9.5	-10	12.56	3.99	12.48	4.05	12.40	4.12	12.36	4.15	12.32	4.18	12.25	4.24
	-4.4	-5	13.51	4.12	13.43	4.18	13.35	4.24	13.31	4.27	13.28	4.31	13.16	4.37
	0.7	0	14.47	4.24	14.38	4.31	14.30	4.37	14.02	4.26	13.73	4.15	13.16	3.93
	7	6	15.83	4.18	15.07	3.99	14.30	3.80	14.02	3.71	13.73	3.61	13.16	3.42
	11.2	10	15.83	3.83	15.07	3.66	14.30	3.48	14.02	3.40	13.73	3.31	13.16	3.14
	16.3	15	15.83	3.40	15.07	3.24	14.30	3.09	14.02	3.01	13.73	2.93	13.16	2.78
9 + 12 + 24 + 24	-13.7	-15	11.61	3.90	11.52	3.97	11.44	4.03	11.41	4.06	11.37	4.10	11.30	4.16
	-9.5	-10	12.56	4.03	12.48	4.10	12.40	4.16	12.36	4.19	12.32	4.22	12.25	4.29
	-4.4	-5	13.51	4.16	13.43	4.22	13.35	4.29	13.31	4.32	13.28	4.35	13.16	4.42
	0.7	0	14.47	4.29	14.38	4.35	14.30	4.42	14.02	4.31	13.73	4.20	13.16	3.98
	7	6	15.83	4.23	15.07	4.03	14.30	3.84	14.02	3.74	13.73	3.65	13.16	3.46
	11.2	10	15.83	3.87	15.07	3.70	14.30	3.52	14.02	3.43	13.73	3.34	13.16	3.17
	16.3	15	15.83	3.43	15.07	3.28	14.30	3.12	14.02	3.04	13.73	2.96	13.16	2.81
9 + 18 + 18 + 24	-13.7	-15	11.61	3.84	11.52	3.91	11.44	3.97	11.41	4.00	11.37	4.03	11.30	4.10
	-9.5	-10	12.56	3.97	12.48	4.03	12.40	4.10	12.36	4.13	12.32	4.16	12.25	4.22
	-4.4	-5	13.51	4.10	13.43	4.16	13.35	4.22	13.31	4.25	13.28	4.28	13.16	4.35
	0.7	0	14.47	4.22	14.38	4.28	14.30	4.35	14.02	4.24	13.73	4.13	13.16	3.91
	7	6	15.83	4.16	15.07	3.97	14.30	3.78	14.02	3.69	13.73	3.59	13.16	3.40
	11.2	10	15.83	3.81	15.07	3.64	14.30	3.47	14.02	3.38	13.73	3.29	13.16	3.12
	16.3	15	15.83	3.38	15.07	3.23	14.30	3.07	14.02	2.99	13.73	2.92	13.16	2.76

7. Capacity Tables

Combi.	Outdoor Air Temp.		Indoor Air Temp. (°C, DB)											
			16.0		18.0		20.0		21.0		22.0		24.0	
	(°C, DB)	(°C, WB)	TC	PI	TC	PI	TC	PI	TC	PI	TC	PI	TC	PI
12 + 12 + 24 + 2 4	-13.7	-15	11.61	3.89	11.52	3.96	11.44	4.02	11.41	4.05	11.37	4.09	11.30	4.15
	-9.5	-10	12.56	4.02	12.48	4.09	12.40	4.15	12.36	4.18	12.32	4.21	12.25	4.28
	-4.4	-5	13.51	4.15	13.43	4.21	13.35	4.28	13.31	4.31	13.28	4.34	13.16	4.40
	0.7	0	14.47	4.28	14.38	4.34	14.30	4.40	14.02	4.29	13.73	4.18	13.16	3.96
	7	6	15.83	4.21	15.07	4.02	14.30	3.83	14.02	3.73	13.73	3.64	13.16	3.45
	11.2	10	15.83	3.86	15.07	3.69	14.30	3.51	14.02	3.42	13.73	3.34	13.16	3.16
	16.3	15	15.83	3.42	15.07	3.27	14.30	3.11	14.02	3.03	13.73	2.96	13.16	2.80
12 + 18 + 18 + 2 4	-13.7	-15	11.61	3.83	11.52	3.90	11.44	3.96	11.41	3.99	11.37	4.02	11.30	4.08
	-9.5	-10	12.56	3.96	12.48	4.02	12.40	4.08	12.36	4.12	12.32	4.15	12.25	4.21
	-4.4	-5	13.51	4.08	13.43	4.15	13.35	4.21	13.31	4.24	13.28	4.27	13.16	4.34
	0.7	0	14.47	4.21	14.38	4.27	14.30	4.34	14.02	4.23	13.73	4.12	13.16	3.90
	7	6	15.83	4.15	15.07	3.96	14.30	3.77	14.02	3.68	13.73	3.58	13.16	3.39
	11.2	10	15.83	3.80	15.07	3.63	14.30	3.46	14.02	3.37	13.73	3.28	13.16	3.11
	16.3	15	15.83	3.37	15.07	3.22	14.30	3.06	14.02	2.99	13.73	2.91	13.16	2.76
18 + 18 + 18 + 1 8	-13.7	-15	11.61	3.77	11.52	3.83	11.44	3.90	11.41	3.93	11.37	3.96	11.30	4.02
	-9.5	-10	12.56	3.90	12.48	3.96	12.40	4.02	12.36	4.05	12.32	4.08	12.25	4.14
	-4.4	-5	13.51	4.02	13.43	4.08	13.35	4.14	13.31	4.17	13.28	4.20	13.16	4.27
	0.7	0	14.47	4.14	14.38	4.20	14.30	4.27	14.02	4.16	13.73	4.05	13.16	3.84
	7	6	15.83	4.08	15.07	3.90	14.30	3.71	14.02	3.62	13.73	3.52	13.16	3.34
	11.2	10	15.83	3.74	15.07	3.57	14.30	3.40	14.02	3.32	13.73	3.23	13.16	3.06
	16.3	15	15.83	3.32	15.07	3.17	14.30	3.01	14.02	2.94	13.73	2.86	13.16	2.71
7 + 7 + 7 + 7 + 7	-13.7	-15	11.36	4.07	11.28	4.14	11.20	4.12	11.06	4.05	10.83	3.98	10.38	3.85
	-9.5	-10	12.29	4.05	11.89	3.92	11.28	3.78	11.06	3.71	10.83	3.65	10.38	3.51
	-4.4	-5	12.49	3.71	11.89	3.58	11.28	3.44	11.06	3.38	10.83	3.31	10.38	3.17
	0.7	0	12.49	3.38	11.89	3.24	11.28	3.11	11.06	3.04	10.83	2.97	10.38	2.84
	7	6	12.49	2.97	11.89	2.84	11.28	2.70	11.06	2.63	10.83	2.57	10.38	2.43
	11.2	10	12.49	2.72	11.89	2.60	11.28	2.48	11.06	2.41	10.83	2.35	10.38	2.23
	16.3	15	12.49	2.41	11.89	2.30	11.28	2.19	11.06	2.14	10.83	2.08	10.38	1.97
7 + 7 + 7 + 7 + 9	-13.7	-15	11.41	4.09	11.33	4.16	11.25	4.22	11.21	4.26	11.18	4.29	10.97	4.20
	-9.5	-10	12.35	4.22	12.27	4.28	11.93	4.13	11.69	4.06	11.45	3.98	10.97	3.84
	-4.4	-5	13.21	4.06	12.57	3.91	11.93	3.76	11.69	3.69	11.45	3.61	10.97	3.47
	0.7	0	13.21	3.69	12.57	3.54	11.93	3.39	11.69	3.32	11.45	3.25	10.97	3.10
	7	6	13.21	3.25	12.57	3.10	11.93	2.95	11.69	2.88	11.45	2.80	10.97	2.66
	11.2	10	13.21	2.98	12.57	2.84	11.93	2.70	11.69	2.64	11.45	2.57	10.97	2.43
	16.3	15	13.21	2.64	12.57	2.52	11.93	2.40	11.69	2.34	11.45	2.28	10.97	2.16
7 + 7 + 7 + 9 + 9	-13.7	-15	11.46	4.11	11.38	4.18	11.30	4.24	11.27	4.28	11.23	4.31	11.16	4.38
	-9.5	-10	12.41	4.24	12.33	4.31	12.24	4.38	12.21	4.40	12.07	4.32	11.57	4.16
	-4.4	-5	13.35	4.38	13.25	4.24	12.57	4.08	12.32	4.00	12.07	3.92	11.57	3.76
	0.7	0	13.92	4.00	13.25	3.84	12.57	3.68	12.32	3.60	12.07	3.52	11.57	3.36
	7	6	13.92	3.52	13.25	3.36	12.57	3.20	12.32	3.12	12.07	3.04	11.57	2.88
	11.2	10	13.92	3.23	13.25	3.08	12.57	2.93	12.32	2.86	12.07	2.79	11.57	2.64
	16.3	15	13.92	2.86	13.25	2.73	12.57	2.60	12.32	2.54	12.07	2.47	11.57	2.34
7 + 7 + 7 + 7 + 12	-13.7	-15	11.49	4.12	11.41	4.18	11.33	4.25	11.29	4.29	11.26	4.32	11.18	4.39
	-9.5	-10	12.44	4.25	12.35	4.32	12.27	4.39	12.24	4.42	12.20	4.45	11.86	4.34
	-4.4	-5	13.38	4.39	13.30	4.43	12.90	4.26	12.64	4.18	12.38	4.09	11.86	3.93
	0.7	0	14.28	4.18	13.59	4.01	12.90	3.84	12.64	3.76	12.38	3.67	11.86	3.51
	7	6	14.28	3.68	13.59	3.51	12.90	3.34	12.64	3.26	12.38	3.17	11.86	3.01

7. Capacity Tables

Combi.	Outdoor Air Temp.		Indoor Air Temp. (°C, DB)											
			16.0		18.0		20.0		21.0		22.0		24.0	
	(°C, DB)	(°C, WB)	TC	PI	TC	PI	TC	PI	TC	PI	TC	PI	TC	PI
7 + 7 + 7 + 7 + 12	11.2	10	14.28	3.37	13.59	3.22	12.90	3.06	12.64	2.99	12.38	2.91	11.86	2.76
	16.3	15	14.28	2.99	13.59	2.85	12.90	2.71	12.64	2.65	12.38	2.58	11.86	2.44
7 + 7 + 9 + 9 + 9	-13.7	-15	11.52	4.13	11.44	4.19	11.35	4.26	11.32	4.30	11.28	4.33	11.21	4.40
	-9.5	-10	12.46	4.26	12.38	4.33	12.30	4.40	12.26	4.43	12.23	4.46	12.15	4.52
	-4.4	-5	13.41	4.40	13.33	4.46	13.22	4.44	12.95	4.35	12.69	4.26	12.16	4.09
	0.7	0	14.36	4.35	13.93	4.18	13.22	4.00	12.95	3.92	12.69	3.83	12.16	3.65
	7	6	14.63	3.83	13.93	3.65	13.22	3.48	12.95	3.39	12.69	3.31	12.16	3.13
	11.2	10	14.63	3.51	13.93	3.35	13.22	3.19	12.95	3.11	12.69	3.03	12.16	2.87
7 + 7 + 7 + 9 + 12	16.3	15	14.63	3.11	13.93	2.97	13.22	2.83	12.95	2.76	12.69	2.69	12.16	2.55
	-13.7	-15	11.54	4.14	11.46	4.20	11.38	4.27	11.34	4.31	11.31	4.34	11.23	4.41
	-9.5	-10	12.49	4.27	12.41	4.34	12.33	4.41	12.29	4.44	12.25	4.48	12.18	4.54
	-4.4	-5	13.44	4.41	13.36	4.48	13.28	4.54	13.24	4.56	13.00	4.47	12.46	4.29
	0.7	0	14.39	4.54	14.27	4.38	13.54	4.20	13.27	4.11	13.00	4.02	12.46	3.83
	7	6	14.99	4.02	14.27	3.83	13.54	3.65	13.27	3.56	13.00	3.47	12.46	3.29
7 + 9 + 9 + 9 + 9	11.2	10	14.99	3.68	14.27	3.51	13.54	3.35	13.27	3.26	13.00	3.18	12.46	3.01
	16.3	15	14.99	3.26	14.27	3.11	13.54	2.97	13.27	2.89	13.00	2.82	12.46	2.67
	-13.7	-15	11.57	4.15	11.49	4.21	11.41	4.28	11.37	4.32	11.33	4.35	11.26	4.42
	-9.5	-10	12.52	4.28	12.44	4.35	12.36	4.42	12.32	4.45	12.28	4.49	12.21	4.55
	-4.4	-5	13.47	4.42	13.39	4.49	13.31	4.55	13.27	4.59	13.23	4.62	12.75	4.48
	0.7	0	14.42	4.55	14.34	4.57	13.86	4.38	13.59	4.29	13.31	4.19	12.75	4.00
7 + 7 + 9 + 9 + 12	7	6	15.35	4.19	14.60	4.00	13.86	3.81	13.59	3.71	13.31	3.62	12.75	3.43
	11.2	10	15.35	3.84	14.60	3.67	13.86	3.49	13.59	3.41	13.31	3.32	12.75	3.14
	16.3	15	15.35	3.41	14.60	3.25	13.86	3.10	13.59	3.02	13.31	2.94	12.75	2.79
	-13.7	-15	11.60	4.15	11.51	4.22	11.43	4.29	11.39	4.33	11.36	4.36	11.28	4.43
	-9.5	-10	12.55	4.29	12.47	4.36	12.38	4.43	12.35	4.46	12.31	4.50	12.24	4.56
	-4.4	-5	13.50	4.43	13.42	4.50	13.34	4.56	13.30	4.60	13.26	4.63	13.05	4.69
7 + 7 + 7 + 12 + 1 2	0.7	0	14.45	4.56	14.37	4.63	14.19	4.59	13.90	4.49	13.62	4.39	13.05	4.19
	7	6	15.70	4.39	14.94	4.19	14.19	3.99	13.90	3.89	13.62	3.79	13.05	3.59
	11.2	10	15.70	4.02	14.94	3.84	14.19	3.66	13.90	3.57	13.62	3.47	13.05	3.29
	16.3	15	15.70	3.57	14.94	3.40	14.19	3.24	13.90	3.16	13.62	3.08	13.05	2.92
	-	-15	11.61	4.13	11.52	4.20	11.44	4.26	11.41	4.30	11.37	4.33	11.30	4.40
	-	-10	12.56	4.26	12.48	4.33	12.40	4.40	12.36	4.43	12.32	4.47	12.25	4.53
9 + 9 + 9 + 9 + 9	-	-5	13.51	4.40	13.43	4.47	13.35	4.53	13.31	4.57	13.28	4.60	13.16	4.67
	-	0	14.47	4.53	14.38	4.60	14.30	4.67	14.02	4.55	13.73	4.44	13.16	4.20
	-	6	15.83	4.47	15.07	4.26	14.30	4.06	14.02	3.96	13.73	3.86	13.16	3.65
	-	10	15.83	4.10	15.07	3.91	14.30	3.72	14.02	3.63	13.73	3.54	13.16	3.35
	-	15	15.83	3.63	15.07	3.46	14.30	3.30	14.02	3.22	13.73	3.13	13.16	2.97
	-	-15	11.61	4.13	11.52	4.20	11.44	4.26	11.41	4.30	11.37	4.33	11.30	4.40
7 + 7 + 7 + 7 + 18	-	-10	12.56	4.20	12.48	4.27	12.40	4.33	12.36	4.37	12.32	4.40	12.25	4.47
	-	-5	13.51	4.33	13.43	4.40	13.35	4.47	13.31	4.50	13.28	4.53	13.16	4.60

7. Capacity Tables

Combi.	Outdoor Air Temp.		Indoor Air Temp. (°C, DB)											
			16.0		18.0		20.0		21.0		22.0		24.0	
	(°C, DB)	(°C, WB)	TC	PI	TC	PI	TC	PI	TC	PI	TC	PI	TC	PI
7 + 7 + 7 + 7 + 18	-	0	14.47	4.47	14.38	4.53	14.30	4.60	14.02	4.49	13.73	4.37	13.16	4.14
	-	6	15.83	4.40	15.07	4.20	14.30	4.00	14.02	3.90	13.73	3.80	13.16	3.60
	-	10	15.83	4.03	15.07	3.85	14.30	3.67	14.02	3.58	13.73	3.48	13.16	3.30
	-	15	15.83	3.58	15.07	3.41	14.30	3.25	14.02	3.17	13.73	3.09	13.16	2.93
7 + 9 + 9 + 9 + 12	-	-15	11.61	4.12	11.52	4.19	11.44	4.25	11.41	4.29	11.37	4.32	11.30	4.39
	-	-10	12.56	4.25	12.48	4.32	12.40	4.39	12.36	4.42	12.32	4.46	12.25	4.52
	-	-5	13.51	4.39	13.43	4.46	13.35	4.52	13.31	4.56	13.28	4.59	13.16	4.66
	-	0	14.47	4.52	14.38	4.59	14.30	4.66	14.02	4.54	13.73	4.42	13.16	4.19
	-	6	15.83	4.46	15.07	4.25	14.30	4.05	14.02	3.95	13.73	3.85	13.16	3.65
	-	10	15.83	4.09	15.07	3.90	14.30	3.71	14.02	3.62	13.73	3.53	13.16	3.34
7 + 7 + 9 + 12 + 1 2	-	-15	11.61	4.11	11.52	4.17	11.44	4.24	11.41	4.28	11.37	4.31	11.30	4.38
	-	-10	12.56	4.24	12.48	4.31	12.40	4.38	12.36	4.41	12.32	4.44	12.25	4.51
	-	-5	13.51	4.38	13.43	4.44	13.35	4.51	13.31	4.55	13.28	4.58	13.16	4.65
	-	0	14.47	4.51	14.38	4.58	14.30	4.65	14.02	4.53	13.73	4.41	13.16	4.18
	-	6	15.83	4.45	15.07	4.24	14.30	4.04	14.02	3.94	13.73	3.84	13.16	3.64
	-	10	15.83	4.08	15.07	3.89	14.30	3.70	14.02	3.61	13.73	3.52	13.16	3.33
	-	15	15.83	3.61	15.07	3.45	14.30	3.28	14.02	3.20	13.73	3.12	13.16	2.95
7 + 7 + 7 + 9 + 18	-	-15	11.61	4.06	11.52	4.12	11.44	4.19	11.41	4.22	11.37	4.26	11.30	4.32
	-	-10	12.56	4.19	12.48	4.26	12.40	4.32	12.36	4.36	12.32	4.39	12.25	4.46
	-	-5	13.51	4.32	13.43	4.39	13.35	4.46	13.31	4.49	13.28	4.52	13.16	4.59
	-	0	14.47	4.46	14.38	4.52	14.30	4.59	14.02	4.47	13.73	4.36	13.16	4.13
	-	6	15.83	4.39	15.07	4.19	14.30	3.99	14.02	3.89	13.73	3.79	13.16	3.59
	-	10	15.83	4.02	15.07	3.84	14.30	3.66	14.02	3.57	13.73	3.47	13.16	3.29
9 + 9 + 9 + 9 + 12	-	-15	11.61	4.11	11.52	4.17	11.44	4.24	11.41	4.28	11.37	4.31	11.30	4.38
	-	-10	12.56	4.24	12.48	4.31	12.40	4.38	12.36	4.41	12.32	4.44	12.25	4.51
	-	-5	13.51	4.38	13.43	4.44	13.35	4.51	13.31	4.55	13.28	4.58	13.16	4.65
	-	0	14.47	4.51	14.38	4.58	14.30	4.65	14.02	4.53	13.73	4.41	13.16	4.18
	-	6	15.83	4.45	15.07	4.24	14.30	4.04	14.02	3.94	13.73	3.84	13.16	3.64
	-	10	15.83	4.08	15.07	3.89	14.30	3.70	14.02	3.61	13.73	3.52	13.16	3.33
	-	15	15.83	3.61	15.07	3.45	14.30	3.28	14.02	3.20	13.73	3.12	13.16	2.95
7 + 9 + 9 + 12 + 1 2	-	-15	11.61	4.10	11.52	4.16	11.44	4.23	11.41	4.27	11.37	4.30	11.30	4.37
	-	-10	12.56	4.23	12.48	4.30	12.40	4.37	12.36	4.40	12.32	4.43	12.25	4.50
	-	-5	13.51	4.37	13.43	4.43	13.35	4.50	13.31	4.53	13.28	4.57	13.16	4.63
	-	0	14.47	4.50	14.38	4.57	14.30	4.63	14.02	4.52	13.73	4.40	13.16	4.17
	-	6	15.83	4.43	15.07	4.23	14.30	4.03	14.02	3.93	13.73	3.83	13.16	3.63
	-	10	15.83	4.07	15.07	3.88	14.30	3.69	14.02	3.60	13.73	3.51	13.16	3.33
	-	15	15.83	3.60	15.07	3.44	14.30	3.27	14.02	3.19	13.73	3.11	13.16	2.95
7 + 7 + 9 + 9 + 18	-	-15	11.61	4.05	11.52	4.11	11.44	4.18	11.41	4.21	11.37	4.25	11.30	4.31
	-	-10	12.56	4.18	12.48	4.25	12.40	4.31	12.36	4.34	12.32	4.38	12.25	4.44
	-	-5	13.51	4.31	13.43	4.38	13.35	4.44	13.31	4.48	13.28	4.51	13.16	4.58
	-	0	14.47	4.44	14.38	4.51	14.30	4.58	14.02	4.46	13.73	4.35	13.16	4.12
	-	6	15.83	4.38	15.07	4.18	14.30	3.98	14.02	3.88	13.73	3.78	13.16	3.58
	-	10	15.83	4.01	15.07	3.83	14.30	3.65	14.02	3.56	13.73	3.47	13.16	3.28
-	15	15.83	3.56	15.07	3.40	14.30	3.23	14.02	3.15	13.73	3.07	13.16	2.91	

7. Capacity Tables

Combi.	Outdoor Air Temp.		Indoor Air Temp. (°C, DB)											
			16.0		18.0		20.0		21.0		22.0		24.0	
	(°C, DB)	(°C, WB)	TC	PI	TC	PI	TC	PI	TC	PI	TC	PI	TC	PI
7 + 7 + 1 2 + 12 + 12	-	-15	11.61	4.10	11.52	4.16	11.44	4.23	11.41	4.27	11.37	4.30	11.30	4.37
	-	-10	12.56	4.23	12.48	4.30	12.40	4.37	12.36	4.40	12.32	4.43	12.25	4.50
	-	-5	13.51	4.37	13.43	4.43	13.35	4.50	13.31	4.53	13.28	4.57	13.16	4.63
	-	0	14.47	4.50	14.38	4.57	14.30	4.63	14.02	4.52	13.73	4.40	13.16	4.17
	-	6	15.83	4.43	15.07	4.23	14.30	4.03	14.02	3.93	13.73	3.83	13.16	3.63
	-	10	15.83	4.07	15.07	3.88	14.30	3.69	14.02	3.60	13.73	3.51	13.16	3.33
	-	15	15.83	3.60	15.07	3.44	14.30	3.27	14.02	3.19	13.73	3.11	13.16	2.95
7 + 7 + 7 + 12 + 18	-	-15	11.61	4.04	11.52	4.10	11.44	4.17	11.41	4.20	11.37	4.23	11.30	4.30
	-	-10	12.56	4.17	12.48	4.23	12.40	4.30	12.36	4.33	12.32	4.37	12.25	4.43
	-	-5	13.51	4.30	13.43	4.37	13.35	4.43	13.31	4.47	13.28	4.50	13.16	4.57
	-	0	14.47	4.43	14.38	4.50	14.30	4.57	14.02	4.45	13.73	4.34	13.16	4.11
	-	6	15.83	4.37	15.07	4.17	14.30	3.97	14.02	3.87	13.73	3.77	13.16	3.57
	-	10	15.83	4.00	15.07	3.82	14.30	3.64	14.02	3.55	13.73	3.46	13.16	3.28
	-	15	15.83	3.55	15.07	3.39	14.30	3.23	14.02	3.15	13.73	3.06	13.16	2.90
9 + 9 + 9 + 12 + 12	-	-15	11.61	4.09	11.52	4.15	11.44	4.22	11.41	4.25	11.37	4.29	11.30	4.35
	-	-10	12.56	4.22	12.48	4.29	12.40	4.35	12.36	4.39	12.32	4.42	12.25	4.49
	-	-5	13.51	4.35	13.43	4.42	13.35	4.49	13.31	4.52	13.28	4.56	13.16	4.62
	-	0	14.47	4.49	14.38	4.56	14.30	4.62	14.02	4.51	13.73	4.39	13.16	4.16
	-	6	15.83	4.42	15.07	4.22	14.30	4.02	14.02	3.92	13.73	3.82	13.16	3.62
	-	10	15.83	4.05	15.07	3.87	14.30	3.68	14.02	3.59	13.73	3.50	13.16	3.32
	-	15	15.83	3.59	15.07	3.43	14.30	3.27	14.02	3.18	13.73	3.10	13.16	2.94
7 + 7 + 7 + 7 + 24	-	-15	11.61	4.04	11.52	4.10	11.44	4.17	11.41	4.20	11.37	4.23	11.30	4.30
	-	-10	12.56	4.17	12.48	4.23	12.40	4.30	12.36	4.33	12.32	4.37	12.25	4.43
	-	-5	13.51	4.30	13.43	4.37	13.35	4.43	13.31	4.47	13.28	4.50	13.16	4.57
	-	0	14.47	4.43	14.38	4.50	14.30	4.57	14.02	4.45	13.73	4.34	13.16	4.11
	-	6	15.83	4.37	15.07	4.17	14.30	3.97	14.02	3.87	13.73	3.77	13.16	3.57
	-	10	15.83	4.00	15.07	3.82	14.30	3.64	14.02	3.55	13.73	3.46	13.16	3.28
	-	15	15.83	3.55	15.07	3.39	14.30	3.23	14.02	3.15	13.73	3.06	13.16	2.90
7 + 9 + 9 + 9 + 18	-	-15	11.61	4.04	11.52	4.10	11.44	4.17	11.41	4.20	11.37	4.23	11.30	4.30
	-	-10	12.56	4.17	12.48	4.23	12.40	4.30	12.36	4.33	12.32	4.37	12.25	4.43
	-	-5	13.51	4.30	13.43	4.37	13.35	4.43	13.31	4.47	13.28	4.50	13.16	4.57
	-	0	14.47	4.43	14.38	4.50	14.30	4.57	14.02	4.45	13.73	4.34	13.16	4.11
	-	6	15.83	4.37	15.07	4.17	14.30	3.97	14.02	3.87	13.73	3.77	13.16	3.57
	-	10	15.83	4.00	15.07	3.82	14.30	3.64	14.02	3.55	13.73	3.46	13.16	3.28
	-	15	15.83	3.55	15.07	3.39	14.30	3.23	14.02	3.15	13.73	3.06	13.16	2.90
7 + 9 + 1 2 + 12 + 12	-	-15	11.61	4.08	11.52	4.14	11.44	4.21	11.41	4.24	11.37	4.28	11.30	4.34
	-	-10	12.56	4.21	12.48	4.28	12.40	4.34	12.36	4.38	12.32	4.41	12.25	4.48
	-	-5	13.51	4.34	13.43	4.41	13.35	4.48	13.31	4.51	13.28	4.54	13.16	4.61
	-	0	14.47	4.48	14.38	4.54	14.30	4.61	14.02	4.50	13.73	4.38	13.16	4.15
	-	6	15.83	4.41	15.07	4.21	14.30	4.01	14.02	3.91	13.73	3.81	13.16	3.61
	-	10	15.83	4.04	15.07	3.86	14.30	3.68	14.02	3.58	13.73	3.49	13.16	3.31
	-	15	15.83	3.59	15.07	3.42	14.30	3.26	14.02	3.18	13.73	3.10	13.16	2.93
7 + 7 + 9 + 12 + 18	-	-15	11.61	4.03	11.52	4.09	11.44	4.16	11.41	4.19	11.37	4.22	11.30	4.29
	-	-10	12.56	4.16	12.48	4.22	12.40	4.29	12.36	4.32	12.32	4.36	12.25	4.42
	-	-5	13.51	4.29	13.43	4.36	13.35	4.42	13.31	4.46	13.28	4.49	13.16	4.55
	-	0	14.47	4.42	14.38	4.49	14.30	4.55	14.02	4.44	13.73	4.33	13.16	4.10
	-	6	15.83	4.36	15.07	4.16	14.30	3.96	14.02	3.86	13.73	3.76	13.16	3.56

7. Capacity Tables

Combi.	Outdoor Air Temp.		Indoor Air Temp. (°C, DB)											
			16.0		18.0		20.0		21.0		22.0		24.0	
	(°C, DB)	(°C, WB)	TC	PI	TC	PI	TC	PI	TC	PI	TC	PI	TC	PI
7 + 7 + 9 + 12 + 1 8	-	10	15.83	3.99	15.07	3.81	14.30	3.63	14.02	3.54	13.73	3.45	13.16	3.27
	-	15	15.83	3.54	15.07	3.38	14.30	3.22	14.02	3.14	13.73	3.06	13.16	2.90
7 + 7 + 7 + 9 + 24	-	-15	11.61	4.02	11.52	4.08	11.44	4.15	11.41	4.18	11.37	4.21	11.30	4.28
	-	-10	12.56	4.15	12.48	4.21	12.40	4.28	12.36	4.31	12.32	4.35	12.25	4.41
	-	-5	13.51	4.28	13.43	4.35	13.35	4.41	13.31	4.44	13.28	4.48	13.16	4.54
	-	0	14.47	4.41	14.38	4.48	14.30	4.54	14.02	4.43	13.73	4.32	13.16	4.09
	-	6	15.83	4.35	15.07	4.15	14.30	3.95	14.02	3.85	13.73	3.75	13.16	3.56
	-	10	15.83	3.98	15.07	3.80	14.30	3.62	14.02	3.53	13.73	3.44	13.16	3.26
	-	15	15.83	3.53	15.07	3.37	14.30	3.21	14.02	3.13	13.73	3.05	13.16	2.89
9 + 9 + 9 + 9 + 18	-	-15	11.61	4.02	11.52	4.08	11.44	4.15	11.41	4.18	11.37	4.21	11.30	4.28
	-	-10	12.56	4.15	12.48	4.21	12.40	4.28	12.36	4.31	12.32	4.35	12.25	4.41
	-	-5	13.51	4.28	13.43	4.35	13.35	4.41	13.31	4.44	13.28	4.48	13.16	4.54
	-	0	14.47	4.41	14.38	4.48	14.30	4.54	14.02	4.43	13.73	4.32	13.16	4.09
	-	6	15.83	4.35	15.07	4.15	14.30	3.95	14.02	3.85	13.73	3.75	13.16	3.56
	-	10	15.83	3.98	15.07	3.80	14.30	3.62	14.02	3.53	13.73	3.44	13.16	3.26
	-	15	15.83	3.53	15.07	3.37	14.30	3.21	14.02	3.13	13.73	3.05	13.16	2.89
9 + 9 + 1 2 + 12 + 12	-	-15	11.61	4.07	11.52	4.13	11.44	4.20	11.41	4.23	11.37	4.27	11.30	4.33
	-	-10	12.56	4.20	12.48	4.27	12.40	4.33	12.36	4.37	12.32	4.40	12.25	4.47
	-	-5	13.51	4.33	13.43	4.40	13.35	4.47	13.31	4.50	13.28	4.53	13.16	4.60
	-	0	14.47	4.47	14.38	4.53	14.30	4.60	14.02	4.49	13.73	4.37	13.16	4.14
	-	6	15.83	4.40	15.07	4.20	14.30	4.00	14.02	3.90	13.73	3.80	13.16	3.60
	-	10	15.83	4.03	15.07	3.85	14.30	3.67	14.02	3.58	13.73	3.48	13.16	3.30
	-	15	15.83	3.58	15.07	3.41	14.30	3.25	14.02	3.17	13.73	3.09	13.16	2.93
7 + 9 + 9 + 12 + 1 8	-	-15	11.61	4.02	11.52	4.08	11.44	4.15	11.41	4.18	11.37	4.21	11.30	4.28
	-	-10	12.56	4.15	12.48	4.21	12.40	4.28	12.36	4.31	12.32	4.35	12.25	4.41
	-	-5	13.51	4.28	13.43	4.35	13.35	4.41	13.31	4.44	13.28	4.48	13.16	4.54
	-	0	14.47	4.41	14.38	4.48	14.30	4.54	14.02	4.43	13.73	4.32	13.16	4.09
	-	6	15.83	4.35	15.07	4.15	14.30	3.95	14.02	3.85	13.73	3.75	13.16	3.56
	-	10	15.83	3.98	15.07	3.80	14.30	3.62	14.02	3.53	13.73	3.44	13.16	3.26
	-	15	15.83	3.53	15.07	3.37	14.30	3.21	14.02	3.13	13.73	3.05	13.16	2.89
7 + 12 + 12 + 12 + 12	-	-15	11.61	4.07	11.52	4.13	11.44	4.20	11.41	4.23	11.37	4.27	11.30	4.33
	-	-10	12.56	4.20	12.48	4.27	12.40	4.33	12.36	4.37	12.32	4.40	12.25	4.47
	-	-5	13.51	4.33	13.43	4.40	13.35	4.47	13.31	4.50	13.28	4.53	13.16	4.60
	-	0	14.47	4.47	14.38	4.53	14.30	4.60	14.02	4.49	13.73	4.37	13.16	4.14
	-	6	15.83	4.40	15.07	4.20	14.30	4.00	14.02	3.90	13.73	3.80	13.16	3.60
	-	10	15.83	4.03	15.07	3.85	14.30	3.67	14.02	3.58	13.73	3.48	13.16	3.30
	-	15	15.83	3.58	15.07	3.41	14.30	3.25	14.02	3.17	13.73	3.09	13.16	2.93
7 + 7 + 9 + 9 + 24	-	-15	11.61	4.01	11.52	4.07	11.44	4.14	11.41	4.17	11.37	4.20	11.30	4.27
	-	-10	12.56	4.14	12.48	4.20	12.40	4.27	12.36	4.30	12.32	4.33	12.25	4.40
	-	-5	13.51	4.27	13.43	4.33	13.35	4.40	13.31	4.43	13.28	4.47	13.16	4.53
	-	0	14.47	4.40	14.38	4.47	14.30	4.53	14.02	4.42	13.73	4.30	13.16	4.08
	-	6	15.83	4.34	15.07	4.14	14.30	3.94	14.02	3.84	13.73	3.74	13.16	3.55
	-	10	15.83	3.97	15.07	3.79	14.30	3.61	14.02	3.52	13.73	3.43	13.16	3.25
	-	15	15.83	3.52	15.07	3.36	14.30	3.20	14.02	3.12	13.73	3.04	13.16	2.88
7 + 7 + 1 2 + 12 + 18	-	-15	11.61	4.01	11.52	4.07	11.44	4.14	11.41	4.17	11.37	4.20	11.30	4.27
	-	-10	12.56	4.14	12.48	4.20	12.40	4.27	12.36	4.30	12.32	4.33	12.25	4.40
	-	-5	13.51	4.27	13.43	4.33	13.35	4.40	13.31	4.43	13.28	4.47	13.16	4.53

7. Capacity Tables

Combi.	Outdoor Air Temp.		Indoor Air Temp. (°C, DB)											
			16.0		18.0		20.0		21.0		22.0		24.0	
	(°C, DB)	(°C, WB)	TC	PI	TC	PI	TC	PI	TC	PI	TC	PI	TC	PI
7 + 7 + 1 2 + 12 + 18	-	0	14.47	4.40	14.38	4.47	14.30	4.53	14.02	4.42	13.73	4.30	13.16	4.08
	-	6	15.83	4.34	15.07	4.14	14.30	3.94	14.02	3.84	13.73	3.74	13.16	3.55
	-	10	15.83	3.97	15.07	3.79	14.30	3.61	14.02	3.52	13.73	3.43	13.16	3.25
	-	15	15.83	3.52	15.07	3.36	14.30	3.20	14.02	3.12	13.73	3.04	13.16	2.88
7 + 7 + 7 + 12 + 2 4	-	-15	11.61	4.01	11.52	4.07	11.44	4.14	11.41	4.17	11.37	4.20	11.30	4.27
	-	-10	12.56	4.14	12.48	4.20	12.40	4.27	12.36	4.30	12.32	4.33	12.25	4.40
	-	-5	13.51	4.27	13.43	4.33	13.35	4.40	13.31	4.43	13.28	4.47	13.16	4.53
	-	0	14.47	4.40	14.38	4.47	14.30	4.53	14.02	4.42	13.73	4.30	13.16	4.08
	-	6	15.83	4.34	15.07	4.14	14.30	3.94	14.02	3.84	13.73	3.74	13.16	3.55
	-	10	15.83	3.97	15.07	3.79	14.30	3.61	14.02	3.52	13.73	3.43	13.16	3.25
	-	15	15.83	3.52	15.07	3.36	14.30	3.20	14.02	3.12	13.73	3.04	13.16	2.88
7 + 7 + 7 + 18 + 1 8	-	-15	11.61	3.95	11.52	4.02	11.44	4.08	11.41	4.12	11.37	4.15	11.30	4.21
	-	-10	12.56	4.08	12.48	4.15	12.40	4.21	12.36	4.25	12.32	4.28	12.25	4.34
	-	-5	13.51	4.21	13.43	4.28	13.35	4.34	13.31	4.38	13.28	4.41	13.16	4.47
	-	0	14.47	4.34	14.38	4.41	14.30	4.47	14.02	4.36	13.73	4.25	13.16	4.03
	-	6	15.83	4.28	15.07	4.09	14.30	3.89	14.02	3.79	13.73	3.70	13.16	3.50
	-	10	15.83	3.92	15.07	3.74	14.30	3.57	14.02	3.48	13.73	3.39	13.16	3.21
	-	15	15.83	3.48	15.07	3.32	14.30	3.16	14.02	3.08	13.73	3.00	13.16	2.85
9 + 9 + 9 + 12 + 1 8	-	-15	11.61	4.01	11.52	4.07	11.44	4.14	11.41	4.17	11.37	4.20	11.30	4.27
	-	-10	12.56	4.14	12.48	4.20	12.40	4.27	12.36	4.30	12.32	4.33	12.25	4.40
	-	-5	13.51	4.27	13.43	4.33	13.35	4.40	13.31	4.43	13.28	4.47	13.16	4.53
	-	0	14.47	4.40	14.38	4.47	14.30	4.53	14.02	4.42	13.73	4.30	13.16	4.08
	-	6	15.83	4.34	15.07	4.14	14.30	3.94	14.02	3.84	13.73	3.74	13.16	3.55
	-	10	15.83	3.97	15.07	3.79	14.30	3.61	14.02	3.52	13.73	3.43	13.16	3.25
	-	15	15.83	3.52	15.07	3.36	14.30	3.20	14.02	3.12	13.73	3.04	13.16	2.88
9 + 12 + 12 + 12 + 12	-	-15	11.61	4.05	11.52	4.11	11.44	4.18	11.41	4.21	11.37	4.25	11.30	4.31
	-	-10	12.56	4.18	12.48	4.25	12.40	4.31	12.36	4.34	12.32	4.38	12.25	4.44
	-	-5	13.51	4.31	13.43	4.38	13.35	4.44	13.31	4.48	13.28	4.51	13.16	4.58
	-	0	14.47	4.44	14.38	4.51	14.30	4.58	14.02	4.46	13.73	4.35	13.16	4.12
	-	6	15.83	4.38	15.07	4.18	14.30	3.98	14.02	3.88	13.73	3.78	13.16	3.58
	-	10	15.83	4.01	15.07	3.83	14.30	3.65	14.02	3.56	13.73	3.47	13.16	3.28
	-	15	15.83	3.56	15.07	3.40	14.30	3.23	14.02	3.15	13.73	3.07	13.16	2.91
7 + 9 + 9 + 9 + 24	-	-15	11.61	4.00	11.52	4.06	11.44	4.13	11.41	4.16	11.37	4.19	11.30	4.26
	-	-10	12.56	4.13	12.48	4.19	12.40	4.26	12.36	4.29	12.32	4.32	12.25	4.39
	-	-5	13.51	4.26	13.43	4.32	13.35	4.39	13.31	4.42	13.28	4.45	13.16	4.52
	-	0	14.47	4.39	14.38	4.45	14.30	4.52	14.02	4.41	13.73	4.29	13.16	4.07
	-	6	15.83	4.32	15.07	4.13	14.30	3.93	14.02	3.83	13.73	3.73	13.16	3.54
	-	10	15.83	3.96	15.07	3.78	14.30	3.60	14.02	3.51	13.73	3.42	13.16	3.24
	-	15	15.83	3.51	15.07	3.35	14.30	3.19	14.02	3.11	13.73	3.03	13.16	2.87
7 + 9 + 1 2 + 12 + 18	-	-15	11.61	4.00	11.52	4.06	11.44	4.13	11.41	4.16	11.37	4.19	11.30	4.26
	-	-10	12.56	4.13	12.48	4.19	12.40	4.26	12.36	4.29	12.32	4.32	12.25	4.39
	-	-5	13.51	4.26	13.43	4.32	13.35	4.39	13.31	4.42	13.28	4.45	13.16	4.52
	-	0	14.47	4.39	14.38	4.45	14.30	4.52	14.02	4.41	13.73	4.29	13.16	4.07
	-	6	15.83	4.32	15.07	4.13	14.30	3.93	14.02	3.83	13.73	3.73	13.16	3.54
	-	10	15.83	3.96	15.07	3.78	14.30	3.60	14.02	3.51	13.73	3.42	13.16	3.24
	-	15	15.83	3.51	15.07	3.35	14.30	3.19	14.02	3.11	13.73	3.03	13.16	2.87

7. Capacity Tables

Combi.	Outdoor Air Temp.		Indoor Air Temp. (°C, DB)											
			16.0		18.0		20.0		21.0		22.0		24.0	
	(°C, DB)	(°C, WB)	TC	PI	TC	PI	TC	PI	TC	PI	TC	PI	TC	PI
7 + 7 + 9 + 12 + 2 4	-	-15	11.61	3.99	11.52	4.05	11.44	4.12	11.41	4.15	11.37	4.18	11.30	4.25
	-	-10	12.56	4.12	12.48	4.18	12.40	4.25	12.36	4.28	12.32	4.31	12.25	4.38
	-	-5	13.51	4.25	13.43	4.31	13.35	4.38	13.31	4.41	13.28	4.44	13.16	4.51
	-	0	14.47	4.38	14.38	4.44	14.30	4.51	14.02	4.40	13.73	4.28	13.16	4.06
	-	6	15.83	4.31	15.07	4.12	14.30	3.92	14.02	3.82	13.73	3.72	13.16	3.53
	-	10	15.83	3.95	15.07	3.77	14.30	3.59	14.02	3.50	13.73	3.41	13.16	3.23
	-	15	15.83	3.50	15.07	3.34	14.30	3.19	14.02	3.11	13.73	3.03	13.16	2.87
7 + 7 + 9 + 18 + 1 8	-	-15	11.61	3.94	11.52	4.01	11.44	4.07	11.41	4.11	11.37	4.14	11.30	4.20
	-	-10	12.56	4.07	12.48	4.14	12.40	4.20	12.36	4.24	12.32	4.27	12.25	4.33
	-	-5	13.51	4.20	13.43	4.27	13.35	4.33	13.31	4.37	13.28	4.40	13.16	4.46
	-	0	14.47	4.33	14.38	4.40	14.30	4.46	14.02	4.35	13.73	4.24	13.16	4.02
	-	6	15.83	4.27	15.07	4.07	14.30	3.88	14.02	3.78	13.73	3.69	13.16	3.49
	-	10	15.83	3.91	15.07	3.74	14.30	3.56	14.02	3.47	13.73	3.38	13.16	3.20
	-	15	15.83	3.47	15.07	3.31	14.30	3.15	14.02	3.07	13.73	3.00	13.16	2.84
9 + 9 + 9 + 9 + 24	-	-15	11.61	3.99	11.52	4.05	11.44	4.12	11.41	4.15	11.37	4.18	11.30	4.25
	-	-10	12.56	4.12	12.48	4.18	12.40	4.25	12.36	4.28	12.32	4.31	12.25	4.38
	-	-5	13.51	4.25	13.43	4.31	13.35	4.38	13.31	4.41	13.28	4.44	13.16	4.51
	-	0	14.47	4.38	14.38	4.44	14.30	4.51	14.02	4.40	13.73	4.28	13.16	4.06
	-	6	15.83	4.31	15.07	4.12	14.30	3.92	14.02	3.82	13.73	3.72	13.16	3.53
	-	10	15.83	3.95	15.07	3.77	14.30	3.59	14.02	3.50	13.73	3.41	13.16	3.23
	-	15	15.83	3.50	15.07	3.34	14.30	3.19	14.02	3.11	13.73	3.03	13.16	2.87
9 + 9 + 1 2 + 12 + 18	-	-15	11.61	3.99	11.52	4.05	11.44	4.12	11.41	4.15	11.37	4.18	11.30	4.25
	-	-10	12.56	4.12	12.48	4.18	12.40	4.25	12.36	4.28	12.32	4.31	12.25	4.38
	-	-5	13.51	4.25	13.43	4.31	13.35	4.38	13.31	4.41	13.28	4.44	13.16	4.51
	-	0	14.47	4.38	14.38	4.44	14.30	4.51	14.02	4.40	13.73	4.28	13.16	4.06
	-	6	15.83	4.31	15.07	4.12	14.30	3.92	14.02	3.82	13.73	3.72	13.16	3.53
	-	10	15.83	3.95	15.07	3.77	14.30	3.59	14.02	3.50	13.73	3.41	13.16	3.23
	-	15	15.83	3.50	15.07	3.34	14.30	3.19	14.02	3.11	13.73	3.03	13.16	2.87
12 + 12 + 12 + 1 2 + 12	-	-15	11.61	4.04	11.52	4.10	11.44	4.17	11.41	4.20	11.37	4.23	11.30	4.30
	-	-10	12.56	4.17	12.48	4.23	12.40	4.30	12.36	4.33	12.32	4.37	12.25	4.43
	-	-5	13.51	4.30	13.43	4.37	13.35	4.43	13.31	4.47	13.28	4.50	13.16	4.57
	-	0	14.47	4.43	14.38	4.50	14.30	4.57	14.02	4.45	13.73	4.34	13.16	4.11
	-	6	15.83	4.37	15.07	4.17	14.30	3.97	14.02	3.87	13.73	3.77	13.16	3.57
	-	10	15.83	4.00	15.07	3.82	14.30	3.64	14.02	3.55	13.73	3.46	13.16	3.28
	-	15	15.83	3.55	15.07	3.39	14.30	3.23	14.02	3.15	13.73	3.06	13.16	2.90
7 + 9 + 9 + 12 + 2 4	-	-15	11.61	3.98	11.52	4.04	11.44	4.11	11.41	4.14	11.37	4.17	11.30	4.24
	-	-10	12.56	4.11	12.48	4.17	12.40	4.24	12.36	4.27	12.32	4.30	12.25	4.37
	-	-5	13.51	4.24	13.43	4.30	13.35	4.37	13.31	4.40	13.28	4.43	13.16	4.50
	-	0	14.47	4.37	14.38	4.43	14.30	4.50	14.02	4.38	13.73	4.27	13.16	4.05
	-	6	15.83	4.30	15.07	4.11	14.30	3.91	14.02	3.81	13.73	3.71	13.16	3.52
	-	10	15.83	3.94	15.07	3.76	14.30	3.58	14.02	3.49	13.73	3.41	13.16	3.23
	-	15	15.83	3.50	15.07	3.34	14.30	3.18	14.02	3.10	13.73	3.02	13.16	2.86
7 + 9 + 9 + 18 + 1 8	-	-15	11.61	3.93	11.52	4.00	11.44	4.06	11.41	4.10	11.37	4.13	11.30	4.19
	-	-10	12.56	4.06	12.48	4.13	12.40	4.19	12.36	4.22	12.32	4.26	12.25	4.32
	-	-5	13.51	4.19	13.43	4.26	13.35	4.32	13.31	4.35	13.28	4.39	13.16	4.45
	-	0	14.47	4.32	14.38	4.39	14.30	4.45	14.02	4.34	13.73	4.23	13.16	4.01
	-	6	15.83	4.26	15.07	4.06	14.30	3.87	14.02	3.77	13.73	3.68	13.16	3.48

7. Capacity Tables

Combi.	Outdoor Air Temp.		Indoor Air Temp. (°C, DB)											
			16.0		18.0		20.0		21.0		22.0		24.0	
	(°C, DB)	(°C, WB)	TC	PI	TC	PI	TC	PI	TC	PI	TC	PI	TC	PI
7 + 9 + 9 + 18 + 1 8	-	10	15.83	3.90	15.07	3.73	14.30	3.55	14.02	3.46	13.73	3.37	13.16	3.19
	-	15	15.83	3.46	15.07	3.30	14.30	3.14	14.02	3.07	13.73	2.99	13.16	2.83
7 + 12 + 12 + 12 + 18	-	-15	11.61	3.98	11.52	4.04	11.44	4.11	11.41	4.14	11.37	4.17	11.30	4.24
	-	-10	12.56	4.11	12.48	4.17	12.40	4.24	12.36	4.27	12.32	4.30	12.25	4.37
	-	-5	13.51	4.24	13.43	4.30	13.35	4.37	13.31	4.40	13.28	4.43	13.16	4.50
	-	0	14.47	4.37	14.38	4.43	14.30	4.50	14.02	4.38	13.73	4.27	13.16	4.05
	-	6	15.83	4.30	15.07	4.11	14.30	3.91	14.02	3.81	13.73	3.71	13.16	3.52
	-	10	15.83	3.94	15.07	3.76	14.30	3.58	14.02	3.49	13.73	3.41	13.16	3.23
	-	15	15.83	3.50	15.07	3.34	14.30	3.18	14.02	3.10	13.73	3.02	13.16	2.86
7 + 7 + 1 2 + 12 + 24	-	-15	11.61	3.98	11.52	4.04	11.44	4.11	11.41	4.14	11.37	4.17	11.30	4.24
	-	-10	12.56	4.11	12.48	4.17	12.40	4.24	12.36	4.27	12.32	4.30	12.25	4.37
	-	-5	13.51	4.24	13.43	4.30	13.35	4.37	13.31	4.40	13.28	4.43	13.16	4.50
	-	0	14.47	4.37	14.38	4.43	14.30	4.50	14.02	4.38	13.73	4.27	13.16	4.05
	-	6	15.83	4.30	15.07	4.11	14.30	3.91	14.02	3.81	13.73	3.71	13.16	3.52
	-	10	15.83	3.94	15.07	3.76	14.30	3.58	14.02	3.49	13.73	3.41	13.16	3.23
	-	15	15.83	3.50	15.07	3.34	14.30	3.18	14.02	3.10	13.73	3.02	13.16	2.86
7 + 7 + 7 + 18 + 2 4	-	-15	11.61	3.91	11.52	3.98	11.44	4.04	11.41	4.07	11.37	4.11	11.30	4.17
	-	-10	12.56	4.04	12.48	4.11	12.40	4.17	12.36	4.20	12.32	4.24	12.25	4.30
	-	-5	13.51	4.17	13.43	4.24	13.35	4.30	13.31	4.33	13.28	4.36	13.16	4.43
	-	0	14.47	4.30	14.38	4.36	14.30	4.43	14.02	4.32	13.73	4.21	13.16	3.99
	-	6	15.83	4.24	15.07	4.04	14.30	3.85	14.02	3.75	13.73	3.66	13.16	3.47
	-	10	15.83	3.88	15.07	3.71	14.30	3.53	14.02	3.44	13.73	3.35	13.16	3.18
	-	15	15.83	3.44	15.07	3.29	14.30	3.13	14.02	3.05	13.73	2.97	13.16	2.82
9 + 9 + 9 + 12 + 2 4	-	-15	11.61	3.97	11.52	4.03	11.44	4.10	11.41	4.13	11.37	4.16	11.30	4.22
	-	-10	12.56	4.10	12.48	4.16	12.40	4.22	12.36	4.26	12.32	4.29	12.25	4.36
	-	-5	13.51	4.22	13.43	4.29	13.35	4.36	13.31	4.39	13.28	4.42	13.16	4.48
	-	0	14.47	4.36	14.38	4.42	14.30	4.48	14.02	4.37	13.73	4.26	13.16	4.04
	-	6	15.83	4.29	15.07	4.10	14.30	3.90	14.02	3.80	13.73	3.71	13.16	3.51
	-	10	15.83	3.93	15.07	3.75	14.30	3.58	14.02	3.49	13.73	3.40	13.16	3.22
9 + 9 + 9 + 18 + 1 8	-	15	15.83	3.49	15.07	3.33	14.30	3.17	14.02	3.09	13.73	3.01	13.16	2.85
	-	-15	11.61	3.91	11.52	3.98	11.44	4.04	11.41	4.07	11.37	4.11	11.30	4.17
	-	-10	12.56	4.04	12.48	4.11	12.40	4.17	12.36	4.20	12.32	4.24	12.25	4.30
	-	-5	13.51	4.17	13.43	4.24	13.35	4.30	13.31	4.33	13.28	4.36	13.16	4.43
	-	0	14.47	4.30	14.38	4.36	14.30	4.43	14.02	4.32	13.73	4.21	13.16	3.99
	-	6	15.83	4.24	15.07	4.04	14.30	3.85	14.02	3.75	13.73	3.66	13.16	3.47
	-	10	15.83	3.88	15.07	3.71	14.30	3.53	14.02	3.44	13.73	3.35	13.16	3.18
9 + 12 + 12 + 12 + 18	-	15	15.83	3.44	15.07	3.29	14.30	3.13	14.02	3.05	13.73	2.97	13.16	2.82
	-	-15	11.61	3.97	11.52	4.03	11.44	4.10	11.41	4.13	11.37	4.16	11.30	4.22
	-	-10	12.56	4.10	12.48	4.16	12.40	4.22	12.36	4.26	12.32	4.29	12.25	4.36
	-	-5	13.51	4.22	13.43	4.29	13.35	4.36	13.31	4.39	13.28	4.42	13.16	4.48
	-	0	14.47	4.36	14.38	4.42	14.30	4.48	14.02	4.37	13.73	4.26	13.16	4.04
	-	6	15.83	4.29	15.07	4.10	14.30	3.90	14.02	3.80	13.73	3.71	13.16	3.51
	-	10	15.83	3.93	15.07	3.75	14.30	3.58	14.02	3.49	13.73	3.40	13.16	3.22
7 + 9 + 1 2 + 12 + 24	-	15	15.83	3.49	15.07	3.33	14.30	3.17	14.02	3.09	13.73	3.01	13.16	2.85
	-	-15	11.61	3.97	11.52	4.03	11.44	4.10	11.41	4.13	11.37	4.16	11.30	4.22
	-	-10	12.56	4.10	12.48	4.16	12.40	4.22	12.36	4.26	12.32	4.29	12.25	4.36
		-5	13.51	4.22	13.43	4.29	13.35	4.36	13.31	4.39	13.28	4.42	13.16	4.48

7. Capacity Tables

Combi.	Outdoor Air Temp.		Indoor Air Temp. (°C, DB)											
			16.0		18.0		20.0		21.0		22.0		24.0	
	(°C, DB)	(°C, WB)	TC	PI	TC	PI	TC	PI	TC	PI	TC	PI	TC	PI
7 + 9 + 1 2 + 12 + 24	-	0	14.47	4.36	14.38	4.42	14.30	4.48	14.02	4.37	13.73	4.26	13.16	4.04
	-	6	15.83	4.29	15.07	4.10	14.30	3.90	14.02	3.80	13.73	3.71	13.16	3.51
	-	10	15.83	3.93	15.07	3.75	14.30	3.58	14.02	3.49	13.73	3.40	13.16	3.22
	-	15	15.83	3.49	15.07	3.33	14.30	3.17	14.02	3.09	13.73	3.01	13.16	2.85
7 + 9 + 1 2 + 18 + 18	-	-15	11.61	3.91	11.52	3.98	11.44	4.04	11.41	4.07	11.37	4.11	11.30	4.17
	-	-10	12.56	4.04	12.48	4.11	12.40	4.17	12.36	4.20	12.32	4.24	12.25	4.30
	-	-5	13.51	4.17	13.43	4.24	13.35	4.30	13.31	4.33	13.28	4.36	13.16	4.43
	-	0	14.47	4.30	14.38	4.36	14.30	4.43	14.02	4.32	13.73	4.21	13.16	3.99
	-	6	15.83	4.24	15.07	4.04	14.30	3.85	14.02	3.75	13.73	3.66	13.16	3.47
	-	10	15.83	3.88	15.07	3.71	14.30	3.53	14.02	3.44	13.73	3.35	13.16	3.18
7 + 7 + 9 + 18 + 2 4	-	-15	11.61	3.90	11.52	3.97	11.44	4.03	11.41	4.06	11.37	4.10	11.30	4.16
	-	-10	12.56	4.03	12.48	4.10	12.40	4.16	12.36	4.19	12.32	4.22	12.25	4.29
	-	-5	13.51	4.16	13.43	4.22	13.35	4.29	13.31	4.32	13.28	4.35	13.16	4.42
	-	0	14.47	4.29	14.38	4.35	14.30	4.42	14.02	4.31	13.73	4.20	13.16	3.98
	-	6	15.83	4.23	15.07	4.03	14.30	3.84	14.02	3.74	13.73	3.65	13.16	3.46
	-	10	15.83	3.87	15.07	3.70	14.30	3.52	14.02	3.43	13.73	3.34	13.16	3.17
	-	15	15.83	3.43	15.07	3.28	14.30	3.12	14.02	3.04	13.73	2.96	13.16	2.81
9 + 9 + 1 2 + 12 + 24	-	-15	11.61	3.94	11.52	4.01	11.44	4.07	11.41	4.11	11.37	4.14	11.30	4.20
	-	-10	12.56	4.07	12.48	4.14	12.40	4.20	12.36	4.24	12.32	4.27	12.25	4.33
	-	-5	13.51	4.20	13.43	4.27	13.35	4.33	13.31	4.37	13.28	4.40	13.16	4.46
	-	0	14.47	4.33	14.38	4.40	14.30	4.46	14.02	4.35	13.73	4.24	13.16	4.02
	-	6	15.83	4.27	15.07	4.07	14.30	3.88	14.02	3.78	13.73	3.69	13.16	3.49
	-	10	15.83	3.91	15.07	3.74	14.30	3.56	14.02	3.47	13.73	3.38	13.16	3.20
12 + 12 + 12 + 1 2 + 18	-	-15	11.61	3.94	11.52	4.01	11.44	4.07	11.41	4.11	11.37	4.14	11.30	4.20
	-	-10	12.56	4.07	12.48	4.14	12.40	4.20	12.36	4.24	12.32	4.27	12.25	4.33
	-	-5	13.51	4.20	13.43	4.27	13.35	4.33	13.31	4.37	13.28	4.40	13.16	4.46
	-	0	14.47	4.33	14.38	4.40	14.30	4.46	14.02	4.35	13.73	4.24	13.16	4.02
	-	6	15.83	4.27	15.07	4.07	14.30	3.88	14.02	3.78	13.73	3.69	13.16	3.49
	-	10	15.83	3.91	15.07	3.74	14.30	3.56	14.02	3.47	13.73	3.38	13.16	3.20
	-	15	15.83	3.47	15.07	3.31	14.30	3.15	14.02	3.07	13.73	3.00	13.16	2.84
7 + 9 + 9 + 18 + 2 4	-	-15	11.61	3.89	11.52	3.96	11.44	4.02	11.41	4.05	11.37	4.09	11.30	4.15
	-	-10	12.56	4.02	12.48	4.09	12.40	4.15	12.36	4.18	12.32	4.21	12.25	4.28
	-	-5	13.51	4.15	13.43	4.21	13.35	4.28	13.31	4.31	13.28	4.34	13.16	4.40
	-	0	14.47	4.28	14.38	4.34	14.30	4.40	14.02	4.29	13.73	4.18	13.16	3.96
	-	6	15.83	4.21	15.07	4.02	14.30	3.83	14.02	3.73	13.73	3.64	13.16	3.45
	-	10	15.83	3.86	15.07	3.69	14.30	3.51	14.02	3.42	13.73	3.34	13.16	3.16
	-	15	15.83	3.42	15.07	3.27	14.30	3.11	14.02	3.03	13.73	2.96	13.16	2.80
7 + 12 + 12 + 12 + 24	-	-15	11.61	3.94	11.52	4.01	11.44	4.07	11.41	4.11	11.37	4.14	11.30	4.20
	-	-10	12.56	4.07	12.48	4.14	12.40	4.20	12.36	4.24	12.32	4.27	12.25	4.33
	-	-5	13.51	4.20	13.43	4.27	13.35	4.33	13.31	4.37	13.28	4.40	13.16	4.46
	-	0	14.47	4.33	14.38	4.40	14.30	4.46	14.02	4.35	13.73	4.24	13.16	4.02
	-	6	15.83	4.27	15.07	4.07	14.30	3.88	14.02	3.78	13.73	3.69	13.16	3.49
	-	10	15.83	3.91	15.07	3.74	14.30	3.56	14.02	3.47	13.73	3.38	13.16	3.20
	-	15	15.83	3.47	15.07	3.31	14.30	3.15	14.02	3.07	13.73	3.00	13.16	2.84

7. Capacity Tables

Combi.	Outdoor Air Temp.		Indoor Air Temp. (°C, DB)											
			16.0		18.0		20.0		21.0		22.0		24.0	
	(°C, DB)	(°C, WB)	TC	PI	TC	PI	TC	PI	TC	PI	TC	PI	TC	PI
7 + 12 + 12 + 18 + 18	-	-15	11.61	3.89	11.52	3.96	11.44	4.02	11.41	4.05	11.37	4.09	11.30	4.15
	-	-10	12.56	4.02	12.48	4.09	12.40	4.15	12.36	4.18	12.32	4.21	12.25	4.28
	-	-5	13.51	4.15	13.43	4.21	13.35	4.28	13.31	4.31	13.28	4.34	13.16	4.40
	-	0	14.47	4.28	14.38	4.34	14.30	4.40	14.02	4.29	13.73	4.18	13.16	3.96
	-	6	15.83	4.21	15.07	4.02	14.30	3.83	14.02	3.73	13.73	3.64	13.16	3.45
	-	10	15.83	3.86	15.07	3.69	14.30	3.51	14.02	3.42	13.73	3.34	13.16	3.16
	-	15	15.83	3.42	15.07	3.27	14.30	3.11	14.02	3.03	13.73	2.96	13.16	2.80
7 + 7 + 1 8 + 18 + 18	-	-15	11.61	3.84	11.52	3.91	11.44	3.97	11.41	4.00	11.37	4.03	11.30	4.10
	-	-10	12.56	3.97	12.48	4.03	12.40	4.10	12.36	4.13	12.32	4.16	12.25	4.22
	-	-5	13.51	4.10	13.43	4.16	13.35	4.22	13.31	4.25	13.28	4.28	13.16	4.35
	-	0	14.47	4.22	14.38	4.28	14.30	4.35	14.02	4.24	13.73	4.13	13.16	3.91
	-	6	15.83	4.16	15.07	3.97	14.30	3.78	14.02	3.69	13.73	3.59	13.16	3.40
	-	10	15.83	3.81	15.07	3.64	14.30	3.47	14.02	3.38	13.73	3.29	13.16	3.12
	-	15	15.83	3.38	15.07	3.23	14.30	3.07	14.02	2.99	13.73	2.92	13.16	2.76
7 + 7 + 7 + 24 + 2 4	-	-15	11.61	3.88	11.52	3.95	11.44	4.01	11.41	4.04	11.37	4.07	11.30	4.14
	-	-10	12.56	4.01	12.48	4.07	12.40	4.14	12.36	4.17	12.32	4.20	12.25	4.27
	-	-5	13.51	4.14	13.43	4.20	13.35	4.27	13.31	4.30	13.28	4.33	13.16	4.39
	-	0	14.47	4.27	14.38	4.33	14.30	4.39	14.02	4.28	13.73	4.17	13.16	3.95
	-	6	15.83	4.20	15.07	4.01	14.30	3.82	14.02	3.72	13.73	3.63	13.16	3.44
	-	10	15.83	3.85	15.07	3.68	14.30	3.50	14.02	3.41	13.73	3.33	13.16	3.15
	-	15	15.83	3.42	15.07	3.26	14.30	3.10	14.02	3.03	13.73	2.95	13.16	2.79
9 + 9 + 9 + 18 + 2 4	-	-15	11.61	3.88	11.52	3.95	11.44	4.01	11.41	4.04	11.37	4.07	11.30	4.14
	-	-10	12.56	4.01	12.48	4.07	12.40	4.14	12.36	4.17	12.32	4.20	12.25	4.27
	-	-5	13.51	4.14	13.43	4.20	13.35	4.27	13.31	4.30	13.28	4.33	13.16	4.39
	-	0	14.47	4.27	14.38	4.33	14.30	4.39	14.02	4.28	13.73	4.17	13.16	3.95
	-	6	15.83	4.20	15.07	4.01	14.30	3.82	14.02	3.72	13.73	3.63	13.16	3.44
	-	10	15.83	3.85	15.07	3.68	14.30	3.50	14.02	3.41	13.73	3.33	13.16	3.15
	-	15	15.83	3.42	15.07	3.26	14.30	3.10	14.02	3.03	13.73	2.95	13.16	2.79
9 + 12 + 12 + 12 + 24	-	-15	11.61	3.93	11.52	4.00	11.44	4.06	11.41	4.10	11.37	4.13	11.30	4.19
	-	-10	12.56	4.06	12.48	4.13	12.40	4.19	12.36	4.22	12.32	4.26	12.25	4.32
	-	-5	13.51	4.19	13.43	4.26	13.35	4.32	13.31	4.35	13.28	4.39	13.16	4.45
	-	0	14.47	4.32	14.38	4.39	14.30	4.45	14.02	4.34	13.73	4.23	13.16	4.01
	-	6	15.83	4.26	15.07	4.06	14.30	3.87	14.02	3.77	13.73	3.68	13.16	3.48
	-	10	15.83	3.90	15.07	3.73	14.30	3.55	14.02	3.46	13.73	3.37	13.16	3.19
	-	15	15.83	3.46	15.07	3.30	14.30	3.14	14.02	3.07	13.73	2.99	13.16	2.83
9 + 12 + 12 + 18 + 18	-	-15	11.61	3.88	11.52	3.95	11.44	4.01	11.41	4.04	11.37	4.07	11.30	4.14
	-	-10	12.56	4.01	12.48	4.07	12.40	4.14	12.36	4.17	12.32	4.20	12.25	4.27
	-	-5	13.51	4.14	13.43	4.20	13.35	4.27	13.31	4.30	13.28	4.33	13.16	4.39
	-	0	14.47	4.27	14.38	4.33	14.30	4.39	14.02	4.28	13.73	4.17	13.16	3.95
	-	6	15.83	4.20	15.07	4.01	14.30	3.82	14.02	3.72	13.73	3.63	13.16	3.44
	-	10	15.83	3.85	15.07	3.68	14.30	3.50	14.02	3.41	13.73	3.33	13.16	3.15
	-	15	15.83	3.42	15.07	3.26	14.30	3.10	14.02	3.03	13.73	2.95	13.16	2.79
7 + 9 + 1 2 + 18 + 24	-	-15	11.61	3.87	11.52	3.94	11.44	4.00	11.41	4.03	11.37	4.06	11.30	4.13
	-	-10	12.56	4.00	12.48	4.06	12.40	4.13	12.36	4.16	12.32	4.19	12.25	4.25
	-	-5	13.51	4.13	13.43	4.19	13.35	4.25	13.31	4.29	13.28	4.32	13.16	4.38
	-	0	14.47	4.25	14.38	4.32	14.30	4.38	14.02	4.27	13.73	4.16	13.16	3.94
	-	6	15.83	4.19	15.07	4.00	14.30	3.81	14.02	3.71	13.73	3.62	13.16	3.43

7. Capacity Tables

Combi.	Outdoor Air Temp.		Indoor Air Temp. (°C, DB)											
			16.0		18.0		20.0		21.0		22.0		24.0	
	(°C, DB)	(°C, WB)	TC	PI	TC	PI	TC	PI	TC	PI	TC	PI	TC	PI
7 + 9 + 1 2 + 18 + 24	-	10	15.83	3.84	15.07	3.67	14.30	3.49	14.02	3.41	13.73	3.32	13.16	3.14
	-	15	15.83	3.41	15.07	3.25	14.30	3.10	14.02	3.02	13.73	2.94	13.16	2.79
7 + 9 + 1 8 + 18 + 18	-	-15	11.61	3.83	11.52	3.90	11.44	3.96	11.41	3.99	11.37	4.02	11.30	4.08
	-	-10	12.56	3.96	12.48	4.02	12.40	4.08	12.36	4.12	12.32	4.15	12.25	4.21
	-	-5	13.51	4.08	13.43	4.15	13.35	4.21	13.31	4.24	13.28	4.27	13.16	4.34
	-	0	14.47	4.21	14.38	4.27	14.30	4.34	14.02	4.23	13.73	4.12	13.16	3.90
	-	6	15.83	4.15	15.07	3.96	14.30	3.77	14.02	3.68	13.73	3.58	13.16	3.39
	-	10	15.83	3.80	15.07	3.63	14.30	3.46	14.02	3.37	13.73	3.28	13.16	3.11
	-	15	15.83	3.37	15.07	3.22	14.30	3.06	14.02	2.99	13.73	2.91	13.16	2.76
7 + 7 + 9 + 24 + 2 4	-	-15	11.61	3.87	11.52	3.94	11.44	4.00	11.41	4.03	11.37	4.06	11.30	4.13
	-	-10	12.56	4.00	12.48	4.06	12.40	4.13	12.36	4.16	12.32	4.19	12.25	4.25
	-	-5	13.51	4.13	13.43	4.19	13.35	4.25	13.31	4.29	13.28	4.32	13.16	4.38
	-	0	14.47	4.25	14.38	4.32	14.30	4.38	14.02	4.27	13.73	4.16	13.16	3.94
	-	6	15.83	4.19	15.07	4.00	14.30	3.81	14.02	3.71	13.73	3.62	13.16	3.43
	-	10	15.83	3.84	15.07	3.67	14.30	3.49	14.02	3.41	13.73	3.32	13.16	3.14
	-	15	15.83	3.41	15.07	3.25	14.30	3.10	14.02	3.02	13.73	2.94	13.16	2.79
9 + 9 + 1 8 + 18 + 18	-	-15	11.61	3.82	11.52	3.89	11.44	3.95	11.41	3.98	11.37	4.01	11.30	4.07
	-	-10	12.56	3.95	12.48	4.01	12.40	4.07	12.36	4.10	12.32	4.14	12.25	4.20
	-	-5	13.51	4.07	13.43	4.14	13.35	4.20	13.31	4.23	13.28	4.26	13.16	4.32
	-	0	14.47	4.20	14.38	4.26	14.30	4.32	14.02	4.22	13.73	4.11	13.16	3.89
	-	6	15.83	4.14	15.07	3.95	14.30	3.76	14.02	3.67	13.73	3.57	13.16	3.38
	-	10	15.83	3.79	15.07	3.62	14.30	3.45	14.02	3.36	13.73	3.27	13.16	3.10
	-	15	15.83	3.36	15.07	3.21	14.30	3.06	14.02	2.98	13.73	2.90	13.16	2.75
12 + 12 + 12 + 1 8 + 18	-	-15	11.61	3.86	11.52	3.93	11.44	3.99	11.41	4.02	11.37	4.05	11.30	4.12
	-	-10	12.56	3.99	12.48	4.05	12.40	4.12	12.36	4.15	12.32	4.18	12.25	4.24
	-	-5	13.51	4.12	13.43	4.18	13.35	4.24	13.31	4.27	13.28	4.31	13.16	4.37
	-	0	14.47	4.24	14.38	4.31	14.30	4.37	14.02	4.26	13.73	4.15	13.16	3.93
	-	6	15.83	4.18	15.07	3.99	14.30	3.80	14.02	3.71	13.73	3.61	13.16	3.42
	-	10	15.83	3.83	15.07	3.66	14.30	3.48	14.02	3.40	13.73	3.31	13.16	3.14
	-	15	15.83	3.40	15.07	3.24	14.30	3.09	14.02	3.01	13.73	2.93	13.16	2.78
12 + 12 + 12 + 1 2 + 24	-	-15	11.61	3.91	11.52	3.98	11.44	4.04	11.41	4.07	11.37	4.11	11.30	4.17
	-	-10	12.56	4.04	12.48	4.11	12.40	4.17	12.36	4.20	12.32	4.24	12.25	4.30
	-	-5	13.51	4.17	13.43	4.24	13.35	4.30	13.31	4.33	13.28	4.36	13.16	4.43
	-	0	14.47	4.30	14.38	4.36	14.30	4.43	14.02	4.32	13.73	4.21	13.16	3.99
	-	6	15.83	4.24	15.07	4.04	14.30	3.85	14.02	3.75	13.73	3.66	13.16	3.47
	-	10	15.83	3.88	15.07	3.71	14.30	3.53	14.02	3.44	13.73	3.35	13.16	3.18
	-	15	15.83	3.44	15.07	3.29	14.30	3.13	14.02	3.05	13.73	2.97	13.16	2.82

Note

- DB : Dry bulb temperature(°C), WB : Wet bulb temperature(°C)
- TC : Total capacity(kW)
- PI : Power Input (kW, Compressor + indoor fan motor + outdoor fan motor)
- All capacities are net. A deduction (cooling mode) or an addition (heating mode) of Capacity due to operating heat of indoor unit motor is reflected.
- Capacities are based on the following conditions :
 - Interconnecting Piping Length (Both Main pipe and Branch pipe) is standard length.
 - Difference of Elevation (Outdoor ~ Indoor Unit) is 0 m.
- Direct interpolation is permissible. Do not extrapolate.
- Rated capacities and power inputs are based on standard temperature and piping conditions, and it can be found on specifications table. Except for rated value, the performance is not guaranteed.
- In accordance with the test standard(or nations) and indoor unit's combinations, the rating will vary slightly.

8. Combination Table

8.1 Cooling Operation

Z2UW18GFB1

Indoor Unit Operating (Capacity index, kBtu/h)						Total Capacity						Input (W)		
						Min		Rated		Max				
Unit-A	Unit-B	Unit-C	Unit-D	Unit-E	Total	Btu/h	kW	Btu/h	kW	Btu/h	kW	Min	Rated	Max
7	7	-	-	-	14	8,400	2.46	14,000	4.10	15,400	4.51	500	1,001	1,251
7	9	-	-	-	16	9,600	2.81	16,000	4.69	17,600	5.16	619	1,237	1,547
9	9	-	-	-	18	10,800	3.17	18,000	5.28	19,800	5.80	754	1,508	1,885
7	12	-	-	-	19	10,800	3.17	18,000	5.28	19,980	5.86	751	1,502	1,878
9	12	-	-	-	21	10,800	3.17	18,000	5.28	20,160	5.91	746	1,491	1,864
12	12	-	-	-	24	10,800	3.17	18,000	5.28	20,340	5.96	735	1,469	1,836
7	18	-	-	-	25	10,800	3.17	18,000	5.28	20,400	5.98	712	1,425	1,781
9	18	-	-	-	27	10,800	3.17	18,000	5.28	20,400	5.98	712	1,425	1,781

Note

- Capacities are based on the following conditions :
 - Cooling : Indoor Ambient Temp. 27°CDB / 19°CWB, Outdoor Ambient Temp. 35°CDB / 24°CWB
 - Heating : Indoor Ambient Temp. 20°CDB / 15°CWB, Outdoor Ambient Temp. 7°CDB / 6°CWB
 - Interconnected piping is standard length and difference of Elevation (Outdoor ~ Indoor Unit) is 0 m.
- At least two indoor units should be connected. And minimum limit of combination ratio is 40% approximately for rated capacity of outdoor unit.
- Don't exceed the maximum connectable indoor units number, it can be found in Specifications or combination table of outdoor unit model.

8. Combination Table

Z3UW21GFB1

Indoor Unit Operating (Capacity index, kBtu/h)						Total Capacity						Input (W)		
						Min		Rated		Max				
Unit-A	Unit-B	Unit-C	Unit-D	Unit-E	Total	Btu/h	kW	Btu/h	kW	Btu/h	kW	Min	Rated	Max
7	7	-	-	-	14	8,400	2.46	14,000	4.10	15,400	4.51	500	1,001	1,251
7	9	-	-	-	16	9,600	2.81	16,000	4.69	17,600	5.16	619	1,237	1,547
9	9	-	-	-	18	10,800	3.17	18,000	5.28	19,800	5.80	749	1,508	1,873
7	12	-	-	-	19	11,400	3.34	19,000	5.57	20,900	6.13	814	1,644	2,035
9	12	-	-	-	21	12,600	3.69	21,000	6.15	23,100	6.77	955	1,930	2,389
12	12	-	-	-	24	12,600	3.69	21,000	6.15	23,310	6.83	941	1,900	2,353
7	18	-	-	-	25	12,600	3.69	21,000	6.15	23,730	6.95	922	1,845	2,306
9	18	-	-	-	27	12,600	3.69	21,000	6.15	23,940	7.02	913	1,826	2,283
12	18	-	-	-	30	12,600	3.69	21,000	6.15	24,000	7.03	900	1,799	2,249
7	7	7	-	-	21	12,600	3.69	21,000	6.15	24,000	7.03	847	1,694	2,117
7	7	9	-	-	23	12,600	3.69	21,000	6.15	24,000	7.03	838	1,677	2,096
7	9	9	-	-	25	12,600	3.69	21,000	6.15	24,000	7.03	830	1,660	2,075
7	7	12	-	-	26	12,600	3.69	21,000	6.15	24,000	7.03	826	1,652	2,065
9	9	9	-	-	27	12,600	3.69	21,000	6.15	24,000	7.03	822	1,643	2,054
7	9	12	-	-	28	12,600	3.69	21,000	6.15	24,000	7.03	818	1,635	2,044
9	9	12	-	-	30	12,600	3.69	21,000	6.15	24,000	7.03	809	1,619	2,024
7	12	12	-	-	31	12,600	3.69	21,000	6.15	24,000	7.03	809	1,619	2,024
7	7	18	-	-	32	12,600	3.69	21,000	6.15	24,000	7.03	809	1,619	2,024
9	12	12	-	-	33	12,600	3.69	21,000	6.15	24,000	7.03	809	1,619	2,024

Note

■ Capacities are based on the following conditions :

- Cooling : Indoor Ambient Temp. 27°CDB / 19°CWB, Outdoor Ambient Temp. 35°CDB / 24°CWB

- Heating : Indoor Ambient Temp. 20°CDB / 15°CWB, Outdoor Ambient Temp. 7°CDB / 6°CWB

- Interconnected piping is standard length and difference of Elevation (Outdoor ~ Indoor Unit) is 0 m.

■ At least two indoor units should be connected. And minimum limit of combination ratio is 40% approximately for rated capacity of outdoor unit.

■ Don't exceed the maximum connectable indoor units number, it can be found in Specifications or combination table of outdoor unit model.

8. Combination Table

Z3UW24GFB1

Indoor Unit Operating (Capacity index, kBtu/h)						Total Capacity						Input (W)		
						Min		Rated		Max				
Unit-A	Unit-B	Unit-C	Unit-D	Unit-E	Total	Btu/h	kW	Btu/h	kW	Btu/h	kW	Min	Rated	Max
7	7	-	-	-	14	8,400	2.46	14,000	4.10	16,100	4.72	460	917	1,201
7	9	-	-	-	16	9,600	2.81	16,000	4.69	18,400	5.39	544	1,112	1,469
9	9	-	-	-	18	10,800	3.17	18,000	5.28	20,700	6.07	634	1,327	1,769
7	12	-	-	-	19	11,400	3.34	19,000	5.57	21,850	6.40	682	1,442	1,931
9	12	-	-	-	21	12,600	3.69	21,000	6.15	24,150	7.08	781	1,691	2,287
12	12	-	-	-	24	14,400	4.22	24,000	7.03	26,400	7.74	941	2,112	2,709
7	18	-	-	-	25	14,400	4.22	24,000	7.03	26,400	7.74	911	2,045	2,623
9	18	-	-	-	27	14,400	4.22	24,000	7.03	26,400	7.74	907	2,037	2,612
12	18	-	-	-	30	14,400	4.22	24,000	7.03	26,400	7.74	902	2,024	2,597
7	24	-	-	-	31	14,400	4.22	24,000	7.03	26,400	7.74	900	2,020	2,592
9	24	-	-	-	33	14,400	4.22	24,000	7.03	26,400	7.74	896	2,012	2,581
12	24	-	-	-	36	14,400	4.22	24,000	7.03	26,400	7.74	891	2,000	2,566
18	18	-	-	-	36	14,400	4.22	24,000	7.03	26,400	7.74	863	1,938	2,486
7	7	7	-	-	21	12,600	3.69	21,000	6.15	24,150	7.08	708	1,559	2,078
7	7	9	-	-	23	13,800	4.04	23,000	6.74	26,450	7.75	836	1,795	2,345
7	9	9	-	-	25	14,400	4.22	24,000	7.03	27,000	7.91	894	1,940	2,412
7	7	12	-	-	26	14,400	4.22	24,000	7.03	27,000	7.91	892	1,935	2,408
9	9	9	-	-	27	14,400	4.22	24,000	7.03	27,600	8.09	891	1,928	2,487
7	9	12	-	-	28	14,400	4.22	24,000	7.03	27,600	8.09	889	1,905	2,483
9	9	12	-	-	30	14,400	4.22	24,000	7.03	27,600	8.09	885	1,897	2,475
7	12	12	-	-	31	14,400	4.22	24,000	7.03	27,600	8.09	883	1,894	2,471
7	7	18	-	-	32	14,400	4.22	24,000	7.03	27,600	8.09	864	1,852	2,417
9	12	12	-	-	33	14,400	4.22	24,000	7.03	27,600	8.09	880	1,886	2,462
7	9	18	-	-	34	14,400	4.22	24,000	7.03	27,600	8.09	861	1,845	2,409
9	9	18	-	-	36	14,400	4.22	24,000	7.03	27,600	8.09	857	1,837	2,403
12	12	12	-	-	36	14,400	4.22	24,000	7.03	27,600	8.09	875	1,875	2,452
7	12	18	-	-	37	14,400	4.22	24,000	7.03	27,600	8.09	855	1,834	2,399
7	7	24	-	-	38	14,400	4.22	24,000	7.03	27,600	8.09	854	1,830	2,395
9	12	18	-	-	39	14,400	4.22	24,000	7.03	27,600	8.09	852	1,826	2,391

Note

■ Capacities are based on the following conditions :

- Cooling : Indoor Ambient Temp. 27°CDB / 19°CWB, Outdoor Ambient Temp. 35°CDB / 24°CWB

- Heating : Indoor Ambient Temp. 20°CDB / 15°CWB, Outdoor Ambient Temp. 7°CDB / 6°CWB

- Interconnected piping is standard length and difference of Elevation (Outdoor ~ Indoor Unit) is 0 m.

■ At least two indoor units should be connected. And minimum limit of combination ratio is 40% approximately for rated capacity of outdoor unit.

■ Don't exceed the maximum connectable indoor units number, it can be found in Specifications or combination table of outdoor unit model.

8. Combination Table

Z4UW30GFB1

Indoor Unit Operating (Capacity index, kBTu/h)						Total Capacity						Input (W)		
						Min		Rated		Max				
Unit-A	Unit-B	Unit-C	Unit-D	Unit-E	Total	Btu/h	kW	Btu/h	kW	Btu/h	kW	Min	Rated	Max
7	7	-	-	-	14	8,400	2.46	14,000	4.10	16,100	4.72	429	843	1,043
7	9	-	-	-	16	9,600	2.81	16,000	4.69	18,400	5.39	505	1,012	1,262
9	9	-	-	-	18	10,800	3.17	18,000	5.28	20,700	6.07	585	1,103	1,503
7	12	-	-	-	19	11,400	3.34	19,000	5.57	21,850	6.40	627	1,197	1,632
9	12	-	-	-	21	12,600	3.69	21,000	6.15	24,150	7.08	713	1,397	1,909
12	12	-	-	-	24	14,400	4.22	24,000	7.03	27,600	8.09	852	1,730	2,376
7	18	-	-	-	25	15,000	4.40	25,000	7.33	28,750	8.43	874	1,795	2,470
9	18	-	-	-	27	16,200	4.75	27,000	7.91	31,050	9.10	972	2,043	2,823
12	18	-	-	-	30	18,000	5.28	30,000	8.79	33,000	9.67	1,129	2,454	3,148
7	24	-	-	-	31	18,000	5.28	30,000	8.79	33,000	9.67	1,127	2,450	3,143
9	24	-	-	-	33	18,000	5.28	30,000	8.79	33,000	9.67	1,124	2,443	3,134
18	18	-	-	-	36	18,000	5.28	30,000	8.79	33,000	9.67	1,084	2,356	3,023
12	24	-	-	-	36	18,000	5.28	30,000	8.79	33,000	9.67	1,119	2,432	3,120
18	24	-	-	-	42	18,000	5.28	30,000	8.79	33,000	9.67	1,075	2,335	2,996
24	24	-	-	-	48	18,000	5.28	30,000	8.79	33,000	9.67	1,065	2,314	2,969
7	7	7	-	-	21	12,600	3.69	21,000	6.15	24,150	7.08	689	1,384	1,728
7	7	9	-	-	23	13,800	4.04	23,000	6.74	26,450	7.75	772	1,575	1,978
7	9	9	-	-	25	15,000	4.40	25,000	7.33	28,750	8.43	858	1,780	2,248
7	7	12	-	-	26	15,600	4.57	26,000	7.62	29,900	8.76	903	1,887	2,402
9	9	9	-	-	27	16,200	4.75	27,000	7.91	31,050	9.10	948	1,998	2,539
7	9	12	-	-	28	16,800	4.92	28,000	8.21	32,200	9.44	994	2,112	2,692
9	9	12	-	-	30	18,000	5.28	30,000	8.79	33,000	9.67	1,090	2,345	2,798
7	12	12	-	-	31	18,000	5.28	30,000	8.79	33,000	9.67	1,088	2,344	2,794
7	7	18	-	-	32	18,000	5.28	30,000	8.79	33,000	9.67	1,065	2,299	2,734
9	12	12	-	-	33	18,000	5.28	30,000	8.79	33,000	9.67	1,085	2,342	2,786
7	9	18	-	-	34	18,000	5.28	30,000	8.79	33,000	9.67	1,062	2,292	2,726
9	9	18	-	-	36	18,000	5.28	30,000	8.79	33,000	9.67	1,058	2,285	2,718
12	12	12	-	-	36	18,000	5.28	30,000	8.79	33,000	9.67	1,080	2,332	2,773
7	12	18	-	-	37	18,000	5.28	30,000	8.79	33,000	9.67	1,057	2,282	2,713
7	7	24	-	-	38	18,000	5.28	30,000	8.79	33,000	9.67	1,055	2,278	2,709
9	12	18	-	-	39	18,000	5.28	30,000	8.79	33,000	9.67	1,054	2,275	2,705
7	9	24	-	-	40	18,000	5.28	30,000	8.79	33,000	9.67	1,052	2,271	2,701
9	9	24	-	-	42	18,000	5.28	30,000	8.79	33,000	9.67	1,049	2,264	2,693
12	12	18	-	-	42	18,000	5.28	30,000	8.79	33,000	9.67	1,049	2,264	2,693
7	12	24	-	-	43	18,000	5.28	30,000	8.79	33,000	9.67	1,047	2,261	2,689
7	18	18	-	-	43	18,000	5.28	30,000	8.79	33,000	9.67	1,026	2,215	2,634
9	12	24	-	-	45	18,000	5.28	30,000	8.79	33,000	9.67	1,044	2,254	2,681
9	18	18	-	-	45	18,000	5.28	30,000	8.79	33,000	9.67	1,023	2,208	2,626
12	12	24	-	-	48	18,000	5.28	30,000	8.79	33,000	9.67	1,040	2,244	2,669
12	18	18	-	-	48	18,000	5.28	30,000	8.79	33,000	9.67	1,018	2,198	2,615
7	18	24	-	-	49	18,000	5.28	30,000	8.79	33,000	9.67	1,017	2,195	2,611
9	18	24	-	-	51	18,000	5.28	30,000	8.79	33,000	9.67	1,014	2,188	2,603
7	7	7	7	-	28	16,800	4.92	28,000	8.21	32,200	9.44	980	2,055	2,607
7	7	7	9	-	30	18,000	5.28	30,000	8.79	33,000	9.67	1,073	2,284	2,711
7	7	9	9	-	32	18,000	5.28	30,000	8.79	33,000	9.67	1,070	2,277	2,703
7	7	7	12	-	33	18,000	5.28	30,000	8.79	33,000	9.67	1,068	2,273	2,699
7	9	9	9	-	34	18,000	5.28	30,000	8.79	33,000	9.67	1,066	2,270	2,694
7	7	9	12	-	35	18,000	5.28	30,000	8.79	33,000	9.67	1,065	2,267	2,690
9	9	9	9	-	36	18,000	5.28	30,000	8.79	33,000	9.67	1,063	2,263	2,686
7	9	9	12	-	37	18,000	5.28	30,000	8.79	33,000	9.67	1,062	2,260	2,682

8. Combination Table

Indoor Unit Operating (Capacity index, kBtu/h)						Total Capacity						Input (W)		
						Min		Rated		Max				
Unit-A	Unit-B	Unit-C	Unit-D	Unit-E	Total	Btu/h	kW	Btu/h	kW	Btu/h	kW	Min	Rated	Max
7	7	12	12	-	38	18,000	5.28	30,000	8.79	33,000	9.67	1,060	2,256	2,678
7	7	7	18	-	39	18,000	5.28	30,000	8.79	33,000	9.67	1,043	2,219	2,634
9	9	9	12	-	39	18,000	5.28	30,000	8.79	33,000	9.67	1,059	2,253	2,674
7	9	12	12	-	40	18,000	5.28	30,000	8.79	33,000	9.67	1,057	2,250	2,670
7	7	9	18	-	41	18,000	5.28	30,000	8.79	33,000	9.67	1,039	2,213	2,626
9	9	12	12	-	42	18,000	5.28	30,000	8.79	33,000	9.67	1,054	2,243	2,662
7	9	9	18	-	43	18,000	5.28	30,000	8.79	33,000	9.67	1,036	2,206	2,618
7	12	12	12	-	43	18,000	5.28	30,000	8.79	33,000	9.67	1,052	2,240	2,658
7	7	12	18	-	44	18,000	5.28	30,000	8.79	33,000	9.67	1,035	2,203	2,615
7	7	7	24	-	45	18,000	5.28	30,000	8.79	33,000	9.67	1,033	2,199	2,611
9	9	9	18	-	45	18,000	5.28	30,000	8.79	33,000	9.67	1,033	2,199	2,611
9	12	12	12	-	45	18,000	5.28	30,000	8.79	33,000	9.67	1,049	2,233	2,650
7	9	12	18	-	46	18,000	5.28	30,000	8.79	33,000	9.67	1,032	2,196	2,607
7	7	9	24	-	47	18,000	5.28	30,000	8.79	33,000	9.67	1,030	2,193	2,603
9	9	12	18	-	48	18,000	5.28	30,000	8.79	33,000	9.67	1,029	2,189	2,599
12	12	12	12	-	48	18,000	5.28	30,000	8.79	33,000	9.67	1,044	2,223	2,638
7	9	9	24	-	49	18,000	5.28	30,000	8.79	33,000	9.67	1,027	2,186	2,595
7	12	12	18	-	49	18,000	5.28	30,000	8.79	33,000	9.67	1,027	2,186	2,595
7	7	12	24	-	50	18,000	5.28	30,000	8.79	33,000	9.67	1,026	2,183	2,591
7	7	18	18	-	50	18,000	5.28	30,000	8.79	33,000	9.67	1,010	2,150	2,552
9	9	9	24	-	51	18,000	5.28	30,000	8.79	33,000	9.67	1,024	2,180	2,587
9	12	12	18	-	51	18,000	5.28	30,000	8.79	33,000	9.67	1,024	2,180	2,587

Note

- Capacities are based on the following conditions :
 - Cooling : Indoor Ambient Temp. 27°CDB / 19°CWB, Outdoor Ambient Temp. 35°CDB / 24°CWB
 - Heating : Indoor Ambient Temp. 20°CDB / 15°CWB, Outdoor Ambient Temp. 7°CDB / 6°CWB
 - Interconnected piping is standard length and difference of Elevation (Outdoor ~ Indoor Unit) is 0 m.
- At least two indoor units should be connected. And minimum limit of combination ratio is 40% approximately for rated capacity of outdoor unit.
- Don't exceed the maximum connectable indoor units number, it can be found in Specifications or combination table of outdoor unit model.

8. Combination Table

Z5UW36GFB1

Indoor Unit Operating (Capacity index, kBTu/h)						Total Capacity						Input (W)		
						Min		Rated		Max				
Unit-A	Unit-B	Unit-C	Unit-D	Unit-E	Total	Btu/h	kW	Btu/h	kW	Btu/h	kW	Min	Rated	Max
7	7	-	-	-	14	8,400	2.46	14,000	4.10	16,100	4.72	429	843	1,043
7	9	-	-	-	16	9,600	2.81	16,000	4.69	18,400	5.39	505	1,012	1,262
9	9	-	-	-	18	10,800	3.17	18,000	5.28	20,700	6.07	585	1,103	1,503
7	12	-	-	-	19	11,400	3.34	19,000	5.57	21,850	6.40	627	1,197	1,632
9	12	-	-	-	21	12,600	3.69	21,000	6.15	24,150	7.08	713	1,397	1,909
12	12	-	-	-	24	14,400	4.22	24,000	7.03	27,600	8.09	852	1,730	2,376
7	18	-	-	-	25	15,000	4.40	25,000	7.33	28,750	8.43	874	1,795	2,470
9	18	-	-	-	27	16,200	4.75	27,000	7.91	31,050	9.10	972	2,043	2,823
12	18	-	-	-	30	18,000	5.28	30,000	8.79	34,500	10.11	1,129	2,454	3,318
7	24	-	-	-	31	18,600	5.45	31,000	9.09	35,650	10.45	1,185	2,627	3,528
9	24	-	-	-	33	19,800	5.80	33,000	9.67	36,000	10.55	1,299	2,938	3,592
18	18	-	-	-	36	21,600	6.33	36,000	10.55	36,200	10.61	1,436	3,345	3,523
12	24	-	-	-	36	21,600	6.33	36,000	10.55	36,200	10.61	1,481	3,451	3,635
18	24	-	-	-	42	21,600	6.33	36,000	10.55	36,500	10.70	1,423	3,315	3,527
24	24	-	-	-	48	21,600	6.33	36,000	10.55	36,500	10.70	1,410	3,285	3,495
7	7	7	-	-	21	12,600	3.69	21,000	6.15	24,150	7.08	689	1,384	1,728
7	7	9	-	-	23	13,800	4.04	23,000	6.74	26,450	7.75	772	1,575	1,978
7	9	9	-	-	25	15,000	4.40	25,000	7.33	28,750	8.43	858	1,780	2,248
7	7	12	-	-	26	15,600	4.57	26,000	7.62	29,900	8.76	903	1,887	2,402
9	9	9	-	-	27	16,200	4.75	27,000	7.91	31,050	9.10	948	1,998	2,539
7	9	12	-	-	28	16,800	4.92	28,000	8.21	32,200	9.44	994	2,112	2,692
9	9	12	-	-	30	18,000	5.28	30,000	8.79	34,500	10.11	1,090	2,345	2,931
7	12	12	-	-	31	18,600	5.45	31,000	9.09	35,650	10.45	1,139	2,464	3,098
7	7	18	-	-	32	19,200	5.63	32,000	9.38	36,800	10.79	1,166	2,542	3,220
9	12	12	-	-	33	19,800	5.80	33,000	9.67	37,950	11.12	1,241	2,728	3,488
7	9	18	-	-	34	20,400	5.98	34,000	9.96	38,000	11.14	1,268	2,948	3,427
9	9	18	-	-	36	21,600	6.33	36,000	10.55	38,000	11.14	1,373	3,260	3,417
12	12	12	-	-	36	21,600	6.33	36,000	10.55	38,000	11.14	1,401	3,326	3,487
7	12	18	-	-	37	21,600	6.33	36,000	10.55	38,000	11.14	1,371	3,255	3,412
7	7	24	-	-	38	21,600	6.33	36,000	10.55	38,000	11.14	1,369	3,250	3,407
9	12	18	-	-	39	21,600	6.33	36,000	10.55	38,000	11.14	1,367	3,245	3,402
7	9	24	-	-	40	21,600	6.33	36,000	10.55	38,000	11.14	1,365	3,240	3,397
9	9	24	-	-	42	21,600	6.33	36,000	10.55	38,000	11.14	1,361	3,231	3,386
12	12	18	-	-	42	21,600	6.33	36,000	10.55	38,000	11.14	1,361	3,231	3,386
7	12	24	-	-	43	21,600	6.33	36,000	10.55	38,000	11.14	1,359	3,226	3,381
7	18	18	-	-	43	21,600	6.33	36,000	10.55	38,000	11.14	1,331	3,160	3,312
9	12	24	-	-	45	21,600	6.33	36,000	10.55	38,000	11.14	1,355	3,216	3,371
9	18	18	-	-	45	21,600	6.33	36,000	10.55	38,000	11.14	1,327	3,150	3,302
12	12	24	-	-	48	21,600	6.33	36,000	10.55	38,000	11.14	1,349	3,202	3,356
12	18	18	-	-	48	21,600	6.33	36,000	10.55	38,000	11.14	1,321	3,136	3,287
7	18	24	-	-	49	21,600	6.33	36,000	10.55	38,000	11.14	1,319	3,132	3,283
9	18	24	-	-	51	21,600	6.33	36,000	10.55	38,000	11.14	1,315	3,122	3,273
12	18	24	-	-	54	21,600	6.33	36,000	10.55	41,400	12.13	1,310	3,108	3,258
18	18	18	-	-	54	21,600	6.33	36,000	10.55	33,000	9.67	1,282	3,043	3,190
7	24	24	-	-	55	21,600	6.33	36,000	10.55	33,000	9.67	1,308	3,103	3,253
9	24	24	-	-	57	21,600	6.33	36,000	10.55	33,000	9.67	1,304	3,094	3,243
7	7	7	7	-	28	16,800	4.92	28,000	8.21	32,200	9.44	980	2,055	2,607
7	7	7	9	-	30	18,000	5.28	30,000	8.79	34,500	10.11	1,073	2,284	2,830
7	7	9	9	-	32	19,200	5.63	32,000	9.38	36,800	10.79	1,170	2,512	3,164
7	7	7	12	-	33	19,800	5.80	33,000	9.67	37,950	11.12	1,219	2,638	3,355

8. Combination Table

Indoor Unit Operating (Capacity index, kBtu/h)						Total Capacity						Input (W)		
						Min		Rated		Max				
Unit-A	Unit-B	Unit-C	Unit-D	Unit-E	Total	Btu/h	kW	Btu/h	kW	Btu/h	kW	Min	Rated	Max
7	9	9	9	-	34	20,400	5.98	34,000	9.96	38,000	11.14	1,270	2,769	3,363
7	7	9	12	-	35	21,000	6.15	35,000	10.26	38,000	11.14	1,321	2,903	3,358
9	9	9	9	-	36	21,600	6.33	36,000	10.55	38,000	11.14	1,372	3,037	3,348
7	9	9	12	-	37	21,600	6.33	36,000	10.55	38,000	11.14	1,370	3,032	3,343
7	7	12	12	-	38	21,600	6.33	36,000	10.55	38,000	11.14	1,368	3,028	3,338
7	7	7	18	-	39	21,600	6.33	36,000	10.55	38,000	11.14	1,345	2,978	3,283
9	9	9	12	-	39	21,600	6.33	36,000	10.55	38,000	11.14	1,366	3,023	3,333
7	9	12	12	-	40	21,600	6.33	36,000	10.55	38,000	11.14	1,363	3,019	3,328
7	7	9	18	-	41	21,600	6.33	36,000	10.55	38,000	11.14	1,341	2,969	3,273
9	9	12	12	-	42	21,600	6.33	36,000	10.55	38,000	11.14	1,359	3,010	3,318
7	9	9	18	-	43	21,600	6.33	36,000	10.55	38,000	11.14	1,337	2,960	3,264
7	12	12	12	-	43	21,600	6.33	36,000	10.55	38,000	11.14	1,357	3,005	3,313
7	7	12	18	-	44	21,600	6.33	36,000	10.55	38,000	11.14	1,335	2,956	3,259
7	7	7	24	-	45	21,600	6.33	36,000	10.55	38,000	11.14	1,333	2,951	3,254
9	9	9	18	-	45	21,600	6.33	36,000	10.55	38,000	11.14	1,353	2,996	3,303
9	12	12	12	-	45	21,600	6.33	36,000	10.55	38,000	11.14	1,353	2,996	3,303
7	9	12	18	-	46	21,600	6.33	36,000	10.55	38,000	11.14	1,331	2,947	3,249
7	7	9	24	-	47	21,600	6.33	36,000	10.55	38,000	11.14	1,329	2,942	3,244
9	9	12	18	-	48	21,600	6.33	36,000	10.55	38,000	11.14	1,327	2,938	3,239
12	12	12	12	-	48	21,600	6.33	36,000	10.55	38,000	11.14	1,347	2,983	3,288
7	9	9	24	-	49	21,600	6.33	36,000	10.55	38,000	11.14	1,325	2,934	3,234
7	12	12	18	-	49	21,600	6.33	36,000	10.55	38,000	11.14	1,325	2,934	3,234
7	7	12	24	-	50	21,600	6.33	36,000	10.55	38,000	11.14	1,323	2,929	3,229
7	7	18	18	-	50	21,600	6.33	36,000	10.55	38,000	11.14	1,303	2,885	3,180
9	9	9	24	-	51	21,600	6.33	36,000	10.55	38,000	11.14	1,321	2,925	3,225
9	12	12	18	-	51	21,600	6.33	36,000	10.55	38,000	11.14	1,321	2,925	3,225
7	9	12	24	-	52	21,600	6.33	36,000	10.55	38,000	11.14	1,319	2,920	3,220
7	9	18	18	-	52	21,600	6.33	36,000	10.55	38,000	11.14	1,299	2,876	3,171
9	9	12	24	-	54	21,600	6.33	36,000	10.55	38,000	11.14	1,315	2,912	3,210
9	9	18	18	-	54	21,600	6.33	36,000	10.55	38,000	11.14	1,295	2,867	3,161
12	12	12	18	-	54	21,600	6.33	36,000	10.55	38,000	11.14	1,315	2,912	3,210
7	12	12	24	-	55	21,600	6.33	36,000	10.55	38,000	11.14	1,313	2,907	3,205
7	12	18	18	-	55	21,600	6.33	36,000	10.55	38,000	11.14	1,293	2,863	3,156
7	7	18	24	-	56	21,600	6.33	36,000	10.55	38,000	11.14	1,291	2,859	3,152
9	12	12	24	-	57	21,600	6.33	36,000	10.55	38,000	11.14	1,309	2,899	3,196
9	12	18	18	-	57	21,600	6.33	36,000	10.55	38,000	11.14	1,289	2,854	3,147
7	7	7	7	7	35	21,000	6.15	35,000	10.26	38,000	11.14	1,303	2,818	3,253
7	7	7	7	9	37	21,600	6.33	36,000	10.55	38,000	11.14	1,355	2,940	3,244
7	7	7	9	9	39	21,600	6.33	36,000	10.55	38,000	11.14	1,351	2,931	3,234
7	7	7	7	12	40	21,600	6.33	36,000	10.55	38,000	11.14	1,349	2,927	3,229
7	7	9	9	9	41	21,600	6.33	36,000	10.55	38,000	11.14	1,347	2,923	3,224
7	7	7	9	12	42	21,600	6.33	36,000	10.55	38,000	11.14	1,344	2,918	3,219
7	9	9	9	9	43	21,600	6.33	36,000	10.55	38,000	11.14	1,342	2,914	3,215
7	7	9	9	12	44	21,600	6.33	36,000	10.55	38,000	11.14	1,340	2,909	3,210
7	7	7	12	12	45	21,600	6.33	36,000	10.55	38,000	11.14	1,338	2,905	3,205
9	9	9	9	9	45	21,600	6.33	36,000	10.55	38,000	11.14	1,338	2,905	3,205
7	7	7	7	18	46	21,600	6.33	36,000	10.55	38,000	11.14	1,320	2,866	3,162
7	9	9	9	12	46	21,600	6.33	36,000	10.55	38,000	11.14	1,336	2,901	3,200
7	7	9	12	12	47	21,600	6.33	36,000	10.55	38,000	11.14	1,334	2,896	3,195
7	7	7	9	18	48	21,600	6.33	36,000	10.55	38,000	11.14	1,316	2,857	3,152
9	9	9	9	12	48	21,600	6.33	36,000	10.55	38,000	11.14	1,332	2,892	3,190

8. Combination Table

Indoor Unit Operating (Capacity index, kBtu/h)						Total Capacity						Input (W)		
						Min		Rated		Max				
Unit-A	Unit-B	Unit-C	Unit-D	Unit-E	Total	Btu/h	kW	Btu/h	kW	Btu/h	kW	Min	Rated	Max
7	9	9	12	12	49	21,600	6.33	36,000	10.55	38,000	11.14	1,330	2,888	3,186
7	7	9	9	18	50	21,600	6.33	36,000	10.55	38,000	11.14	1,312	2,849	3,143
7	7	12	12	12	50	21,600	6.33	36,000	10.55	38,000	11.14	1,328	2,883	3,181
7	7	7	12	18	51	21,600	6.33	36,000	10.55	38,000	11.14	1,311	2,844	3,138
9	9	9	12	12	51	21,600	6.33	36,000	10.55	38,000	11.14	1,326	2,879	3,176
7	7	7	7	24	52	21,600	6.33	36,000	10.55	38,000	11.14	1,309	2,840	3,133
7	9	9	9	18	52	21,600	6.33	36,000	10.55	38,000	11.14	1,309	2,840	3,133
7	9	12	12	12	52	21,600	6.33	36,000	10.55	38,000	11.14	1,324	2,875	3,171
7	7	9	12	18	53	21,600	6.33	36,000	10.55	38,000	11.14	1,307	2,836	3,129
7	7	7	9	24	54	21,600	6.33	36,000	10.55	38,000	11.14	1,305	2,832	3,124
9	9	9	9	18	54	21,600	6.33	36,000	10.55	38,000	11.14	1,305	2,832	3,124
9	9	12	12	12	54	21,600	6.33	36,000	10.55	38,000	11.14	1,320	2,866	3,162
7	9	9	12	18	55	21,600	6.33	36,000	10.55	38,000	11.14	1,303	2,827	3,119
7	12	12	12	12	55	21,600	6.33	36,000	10.55	38,000	11.14	1,319	2,862	3,157
7	7	9	9	24	56	21,600	6.33	36,000	10.55	38,000	11.14	1,301	2,823	3,115
7	7	12	12	18	56	21,600	6.33	36,000	10.55	38,000	11.14	1,301	2,823	3,115
7	7	7	12	24	57	21,600	6.33	36,000	10.55	38,000	11.14	1,299	2,819	3,110
7	7	7	18	18	57	21,600	6.33	36,000	10.55	38,000	11.14	1,283	2,785	3,072
9	9	9	12	18	57	21,600	6.33	36,000	10.55	38,000	11.14	1,299	2,819	3,110
9	12	12	12	12	57	21,600	6.33	36,000	10.55	38,000	11.14	1,315	2,853	3,148

Note

- Capacities are based on the following conditions :
 - Cooling : Indoor Ambient Temp. 27°CDB / 19°CWB, Outdoor Ambient Temp. 35°CDB / 24°CWB
 - Heating : Indoor Ambient Temp. 20°CDB / 15°CWB, Outdoor Ambient Temp. 7°CDB / 6°CWB
 - Interconnected piping is standard length and difference of Elevation (Outdoor ~ Indoor Unit) is 0 m.
- At least two indoor units should be connected. And minimum limit of combination ratio is 40% approximately for rated capacity of outdoor unit.
- Don't exceed the maximum connectable indoor units number, it can be found in Specifications or combination table of outdoor unit model.

8. Combination Table

Z5UW48GFB1

Indoor Unit Operating (Capacity index, kBTU/h)						Total Capacity						Input (W)		
						Min		Rated		Max				
Unit-A	Unit-B	Unit-C	Unit-D	Unit-E	Total	Btu/h	kW	Btu/h	kW	Btu/h	kW	Min	Rated	Max
7	7	-	-	-	14	8,400	2.46	14,000	4.10	16,100	4.72	417	789	960
7	9	-	-	-	16	9,600	2.81	16,000	4.69	18,400	5.39	490	944	1,156
9	9	-	-	-	18	10,800	3.17	18,000	5.28	20,700	6.07	566	1,111	1,370
7	12	-	-	-	19	11,400	3.34	19,000	5.57	21,850	6.40	606	1,200	1,484
9	12	-	-	-	21	12,600	3.69	21,000	6.15	24,150	7.08	688	1,388	1,729
12	12	-	-	-	24	14,400	4.22	24,000	7.03	27,600	8.09	819	1,698	2,137
7	18	-	-	-	25	15,000	4.40	25,000	7.33	28,750	8.43	839	1,755	2,216
9	18	-	-	-	27	16,200	4.75	27,000	7.91	31,050	9.10	931	1,984	2,522
12	18	-	-	-	30	18,000	5.28	30,000	8.79	34,500	10.11	1,078	2,360	3,031
7	24	-	-	-	31	18,600	5.45	31,000	9.09	35,650	10.45	1,129	2,495	3,215
9	24	-	-	-	33	19,800	5.80	33,000	9.67	37,950	11.12	1,235	2,779	3,606
18	18	-	-	-	36	21,600	6.33	36,000	10.55	41,400	12.13	1,361	3,146	4,124
12	24	-	-	-	36	21,600	6.33	36,000	10.55	41,400	12.13	1,404	3,246	4,255
18	24	-	-	-	42	25,200	7.39	42,000	12.31	47,500	13.92	1,723	4,206	5,435
24	24	-	-	-	48	28,680	8.41	47,800	14.01	48,300	14.16	2,122	5,463	5,638
7	7	7	-	-	21	12,600	3.69	21,000	6.15	24,150	7.08	672	1,316	1,622
7	7	9	-	-	23	13,800	4.04	23,000	6.74	26,450	7.75	753	1,499	1,858
7	9	9	-	-	25	15,000	4.40	25,000	7.33	28,750	8.43	837	1,694	2,112
7	7	12	-	-	26	15,600	4.57	26,000	7.62	29,900	8.76	881	1,796	2,246
9	9	9	-	-	27	16,200	4.75	27,000	7.91	31,050	9.10	925	1,902	2,386
7	9	12	-	-	28	16,800	4.92	28,000	8.21	32,200	9.44	971	2,011	2,531
9	9	12	-	-	30	18,000	5.28	30,000	8.79	34,500	10.11	1,064	2,240	2,836
7	12	12	-	-	31	18,600	5.45	31,000	9.09	35,650	10.45	1,113	2,361	2,997
7	7	18	-	-	32	19,200	5.63	32,000	9.38	36,800	10.79	1,139	2,435	3,101
9	12	12	-	-	33	19,800	5.80	33,000	9.67	37,950	11.12	1,213	2,613	3,337
7	9	18	-	-	34	20,400	5.98	34,000	9.96	39,100	11.46	1,239	2,691	3,447
9	9	18	-	-	36	21,600	6.33	36,000	10.55	41,400	12.13	1,343	2,962	3,818
12	12	12	-	-	36	21,600	6.33	36,000	10.55	41,400	12.13	1,370	3,023	3,896
7	12	18	-	-	37	22,200	6.51	37,000	10.84	42,550	12.47	1,396	3,105	4,014
7	7	24	-	-	38	22,800	6.68	38,000	11.14	43,700	12.81	1,450	3,252	4,216
9	12	18	-	-	39	23,400	6.86	39,000	11.43	44,850	13.14	1,506	3,404	4,426
7	9	24	-	-	40	24,000	7.03	40,000	11.72	46,000	13.48	1,563	3,560	4,643
9	9	24	-	-	42	25,200	7.39	42,000	12.31	48,300	14.16	1,680	3,888	5,111
12	12	18	-	-	42	25,200	7.39	42,000	12.31	48,300	14.16	1,680	3,888	5,111
7	12	24	-	-	43	25,800	7.56	43,000	12.60	49,450	14.49	1,740	4,059	5,387
7	18	18	-	-	43	25,800	7.56	43,000	12.60	49,450	14.49	1,704	3,976	5,277
9	12	24	-	-	45	27,000	7.91	45,000	13.19	50,000	14.65	1,864	4,418	5,523
9	18	18	-	-	45	27,000	7.91	45,000	13.19	50,000	14.65	1,826	4,328	5,410
12	12	24	-	-	48	28,680	8.41	47,800	14.01	50,000	14.65	2,046	4,960	5,498
12	18	18	-	-	48	28,680	8.41	47,800	14.01	50,000	14.65	2,004	4,858	5,386
7	18	24	-	-	49	28,680	8.41	47,800	14.01	50,000	14.65	2,001	4,851	5,378
9	18	24	-	-	51	28,680	8.41	47,800	14.01	50,000	14.65	1,995	4,837	5,361
12	18	24	-	-	54	28,680	8.41	47,800	14.01	50,000	14.65	1,986	4,815	5,337
18	18	18	-	-	54	28,680	8.41	47,800	14.01	50,000	14.65	1,945	4,714	5,226
7	24	24	-	-	55	28,680	8.41	47,800	14.01	50,000	14.65	1,983	4,808	5,329
9	24	24	-	-	57	28,680	8.41	47,800	14.01	50,000	14.65	1,977	4,793	5,313
12	24	24	-	-	60	28,680	8.41	47,800	14.01	50,000	14.65	1,968	4,772	5,289
18	18	24	-	-	60	28,680	8.41	47,800	14.01	50,000	14.65	1,927	4,672	5,179
18	24	24	-	-	66	28,680	8.41	47,800	14.01	50,000	14.65	1,910	4,630	5,133
24	24	24	-	-	72	28,680	8.41	47,800	14.01	50,000	14.65	1,893	4,589	5,087

8. Combination Table

Indoor Unit Operating (Capacity index, kBtu/h)						Total Capacity						Input (W)		
						Min		Rated		Max				
Unit-A	Unit-B	Unit-C	Unit-D	Unit-E	Total	Btu/h	kW	Btu/h	kW	Btu/h	kW	Min	Rated	Max
7	7	7	7	-	28	16,800	4.92	28,000	8.21	32,200	9.44	950	1,901	2,362
7	7	7	9	-	30	18,000	5.28	30,000	8.79	34,500	10.11	1,038	2,105	2,629
7	7	9	9	-	32	19,200	5.63	32,000	9.38	36,800	10.79	1,129	2,321	2,914
7	7	7	12	-	33	19,800	5.80	33,000	9.67	37,950	11.12	1,175	2,433	3,063
7	9	9	9	-	34	20,400	5.98	34,000	9.96	39,100	11.46	1,223	2,549	3,217
7	7	9	12	-	35	21,000	6.15	35,000	10.26	40,250	11.80	1,271	2,668	3,376
9	9	9	9	-	36	21,600	6.33	36,000	10.55	41,400	12.13	1,321	2,790	3,540
7	9	9	12	-	37	22,200	6.51	37,000	10.84	42,550	12.47	1,371	2,916	3,710
7	7	12	12	-	38	22,800	6.68	38,000	11.14	43,700	12.81	1,422	3,045	3,906
7	7	7	18	-	39	23,400	6.86	39,000	11.43	44,850	13.14	1,451	3,130	4,060
9	9	9	12	-	39	23,400	6.86	39,000	11.43	44,850	13.14	1,473	3,178	4,122
7	9	12	12	-	40	24,000	7.03	40,000	11.72	46,000	13.48	1,526	3,314	4,347
7	7	9	18	-	41	24,600	7.21	41,000	12.02	47,150	13.82	1,556	3,402	4,513
9	9	12	12	-	42	25,200	7.39	42,000	12.31	48,300	14.16	1,634	3,598	4,824
7	9	9	18	-	43	25,800	7.56	43,000	12.60	49,450	14.49	1,664	3,692	4,992
7	12	12	12	-	43	25,800	7.56	43,000	12.60	49,450	14.49	1,690	3,748	5,068
7	7	12	18	-	44	26,400	7.74	44,000	12.90	50,000	14.65	1,720	3,871	5,109
7	7	7	24	-	45	27,000	7.91	45,000	13.19	50,000	14.65	1,776	4,056	5,102
9	9	9	18	-	45	27,000	7.91	45,000	13.19	50,000	14.65	1,803	4,117	5,179
9	12	12	12	-	45	27,000	7.91	45,000	13.19	50,000	14.65	1,803	4,117	5,179
7	9	12	18	-	46	27,600	8.09	46,000	13.48	50,000	14.65	1,834	4,247	5,094
7	7	9	24	-	47	28,200	8.26	47,000	13.77	50,000	14.65	1,892	4,446	5,086
9	9	12	18	-	48	28,680	8.41	47,800	14.01	50,000	14.65	1,940	4,612	5,079
12	12	12	12	-	48	28,680	8.41	47,800	14.01	50,000	14.65	1,969	4,674	5,156
7	9	9	24	-	49	28,680	8.41	47,800	14.01	50,000	14.65	1,937	4,605	5,071
7	12	12	18	-	49	28,680	8.41	47,800	14.01	50,000	14.65	1,937	4,605	5,071
7	7	12	24	-	50	28,680	8.41	47,800	14.01	50,000	14.65	1,934	4,598	5,064
7	7	18	18	-	50	28,680	8.41	47,800	14.01	50,000	14.65	1,905	4,528	4,986
9	9	9	24	-	51	28,680	8.41	47,800	14.01	50,000	14.65	1,931	4,591	5,056
9	12	12	18	-	51	28,680	8.41	47,800	14.01	50,000	14.65	1,931	4,591	5,056
7	9	12	24	-	52	28,680	8.41	47,800	14.01	50,000	14.65	1,928	4,584	5,048
7	9	18	18	-	52	28,680	8.41	47,800	14.01	50,000	14.65	1,899	4,514	4,971
9	9	12	24	-	54	28,680	8.41	47,800	14.01	50,000	14.65	1,923	4,570	5,033
9	9	18	18	-	54	28,680	8.41	47,800	14.01	50,000	14.65	1,893	4,501	4,957
12	12	12	18	-	54	28,680	8.41	47,800	14.01	50,000	14.65	1,923	4,570	5,033
7	12	12	24	-	55	28,680	8.41	47,800	14.01	50,000	14.65	1,920	4,563	5,026
7	12	18	18	-	55	28,680	8.41	47,800	14.01	50,000	14.65	1,890	4,494	4,949
7	7	18	24	-	56	28,680	8.41	47,800	14.01	50,000	14.65	1,888	4,487	4,942
9	12	12	24	-	57	28,680	8.41	47,800	14.01	50,000	14.65	1,914	4,550	5,011
9	12	18	18	-	57	28,680	8.41	47,800	14.01	50,000	14.65	1,885	4,480	4,934
7	9	18	24	-	58	28,680	8.41	47,800	14.01	50,000	14.65	1,882	4,474	4,927
9	9	18	24	-	60	28,680	8.41	47,800	14.01	50,000	14.65	1,876	4,460	4,912
12	12	12	24	-	60	28,680	8.41	47,800	14.01	50,000	14.65	1,905	4,529	4,988
12	12	18	18	-	60	28,680	8.41	47,800	14.01	50,000	14.65	1,876	4,460	4,912
7	12	18	24	-	61	28,680	8.41	47,800	14.01	50,000	14.65	1,873	4,454	4,905
7	18	18	18	-	61	28,680	8.41	47,800	14.01	50,000	14.65	1,845	4,385	4,829
7	7	24	24	-	62	28,680	8.41	47,800	14.01	50,000	14.65	1,871	4,447	4,897
9	12	18	24	-	63	28,680	8.41	47,800	14.01	50,000	14.65	1,868	4,440	4,890
9	18	18	18	-	63	28,680	8.41	47,800	14.01	50,000	14.65	1,839	4,372	4,814
7	9	24	24	-	64	28,680	8.41	47,800	14.01	50,000	14.65	1,865	4,434	4,883
9	9	24	24	-	66	28,680	8.41	47,800	14.01	50,000	14.65	1,859	4,420	4,868

8. Combination Table

Indoor Unit Operating (Capacity index, kBtu/h)						Total Capacity						Input (W)		
						Min		Rated		Max				
Unit-A	Unit-B	Unit-C	Unit-D	Unit-E	Total	Btu/h	kW	Btu/h	kW	Btu/h	kW	Min	Rated	Max
12	12	18	24	-	66	28,680	8.41	47,800	14.01	50,000	14.65	1,859	4,420	4,868
12	18	18	18	-	66	28,680	8.41	47,800	14.01	50,000	14.65	1,831	4,352	4,793
7	12	24	24	-	67	28,680	8.41	47,800	14.01	50,000	14.65	1,857	4,414	4,861
7	18	18	24	-	67	28,680	8.41	47,800	14.01	50,000	14.65	1,828	4,345	4,786
9	12	24	24	-	69	28,680	8.41	47,800	14.01	50,000	14.65	1,851	4,400	4,846
9	18	18	24	-	69	28,680	8.41	47,800	14.01	50,000	14.65	1,823	4,332	4,771
12	12	24	24	-	72	28,680	8.41	47,800	14.01	50,000	14.65	1,843	4,381	4,824
12	18	18	24	-	72	28,680	8.41	47,800	14.01	50,000	14.65	1,814	4,313	4,750
18	18	18	18	-	72	28,680	8.41	47,800	14.01	50,000	14.65	1,786	4,245	4,675
7	7	7	7	7	35	21,000	6.15	35,000	10.26	40,250	11.80	1,241	2,536	3,177
7	7	7	7	9	37	22,200	6.51	37,000	10.84	42,550	12.47	1,335	2,761	3,477
7	7	7	9	9	39	23,400	6.86	39,000	11.43	44,850	13.14	1,432	2,998	3,846
7	7	7	7	12	40	24,000	7.03	40,000	11.72	46,000	13.48	1,481	3,120	4,047
7	7	9	9	9	41	24,600	7.21	41,000	12.02	47,150	13.82	1,532	3,246	4,257
7	7	7	9	12	42	25,200	7.39	42,000	12.31	48,300	14.16	1,617	3,375	4,473
7	9	9	9	9	43	25,800	7.56	43,000	12.60	49,450	14.49	1,635	3,510	4,689
7	7	9	9	12	44	26,400	7.74	44,000	12.90	50,000	14.65	1,687	3,672	4,794
7	7	7	12	12	45	27,000	7.91	45,000	13.19	50,000	14.65	1,741	3,841	4,787
9	9	9	9	9	45	27,000	7.91	45,000	13.19	50,000	14.65	1,741	3,841	4,787
7	7	7	7	18	46	27,600	8.09	46,000	13.48	50,000	14.65	1,774	3,967	4,722
7	9	9	9	12	46	27,600	8.09	46,000	13.48	50,000	14.65	1,795	4,015	4,780
7	7	9	12	12	47	28,200	8.26	47,000	13.77	50,000	14.65	1,850	4,195	4,773
7	7	7	9	18	48	28,680	8.41	47,800	14.01	50,000	14.65	1,872	4,292	4,708
9	9	9	9	12	48	28,680	8.41	47,800	14.01	50,000	14.65	1,895	4,345	4,765
7	9	9	12	12	49	28,680	8.41	47,800	14.01	50,000	14.65	1,892	4,338	4,758
7	7	9	9	18	50	28,680	8.41	47,800	14.01	50,000	14.65	1,867	4,280	4,694
7	7	12	12	12	50	28,680	8.41	47,800	14.01	50,000	14.65	1,889	4,332	4,751
7	7	7	12	18	51	28,680	8.41	47,800	14.01	50,000	14.65	1,864	4,273	4,687
9	9	9	12	12	51	28,680	8.41	47,800	14.01	50,000	14.65	1,886	4,325	4,744
7	7	7	7	24	52	28,680	8.41	47,800	14.01	50,000	14.65	1,861	4,267	4,680
7	9	9	9	18	52	28,680	8.41	47,800	14.01	50,000	14.65	1,861	4,267	4,680
7	9	12	12	12	52	28,680	8.41	47,800	14.01	50,000	14.65	1,884	4,319	4,737
7	7	9	12	18	53	28,680	8.41	47,800	14.01	50,000	14.65	1,858	4,260	4,673
7	7	7	9	24	54	28,680	8.41	47,800	14.01	50,000	14.65	1,855	4,254	4,666
9	9	9	9	18	54	28,680	8.41	47,800	14.01	50,000	14.65	1,855	4,254	4,666
9	9	12	12	12	54	28,680	8.41	47,800	14.01	50,000	14.65	1,878	4,306	4,723
7	9	9	12	18	55	28,680	8.41	47,800	14.01	50,000	14.65	1,853	4,248	4,659
7	12	12	12	12	55	28,680	8.41	47,800	14.01	50,000	14.65	1,875	4,299	4,716
7	7	9	9	24	56	28,680	8.41	47,800	14.01	50,000	14.65	1,850	4,241	4,652
7	7	12	12	18	56	28,680	8.41	47,800	14.01	50,000	14.65	1,850	4,241	4,652
7	7	7	12	24	57	28,680	8.41	47,800	14.01	50,000	14.65	1,847	4,235	4,645
7	7	7	18	18	57	28,680	8.41	47,800	14.01	50,000	14.65	1,825	4,183	4,589
9	9	9	12	18	57	28,680	8.41	47,800	14.01	50,000	14.65	1,847	4,235	4,645
9	12	12	12	12	57	28,680	8.41	47,800	14.01	50,000	14.65	1,869	4,286	4,701
7	9	9	9	24	58	28,680	8.41	47,800	14.01	50,000	14.65	1,844	4,228	4,638
7	9	12	12	18	58	28,680	8.41	47,800	14.01	50,000	14.65	1,844	4,228	4,638
7	7	9	12	24	59	28,680	8.41	47,800	14.01	50,000	14.65	1,841	4,222	4,631
7	7	9	18	18	59	28,680	8.41	47,800	14.01	50,000	14.65	1,819	4,171	4,575
9	9	9	9	24	60	28,680	8.41	47,800	14.01	50,000	14.65	1,839	4,216	4,624
9	9	12	12	18	60	28,680	8.41	47,800	14.01	50,000	14.65	1,839	4,216	4,624
12	12	12	12	12	60	28,680	8.41	47,800	14.01	50,000	14.65	1,861	4,267	4,680

8. Combination Table

Indoor Unit Operating (Capacity index, kBtu/h)						Total Capacity						Input (W)		
						Min		Rated		Max				
Unit-A	Unit-B	Unit-C	Unit-D	Unit-E	Total	Btu/h	kW	Btu/h	kW	Btu/h	kW	Min	Rated	Max
7	9	9	12	24	61	28,680	8.41	47,800	14.01	50,000	14.65	1,836	4,209	4,617
7	9	9	18	18	61	28,680	8.41	47,800	14.01	50,000	14.65	1,814	4,158	4,561
7	12	12	12	18	61	28,680	8.41	47,800	14.01	50,000	14.65	1,836	4,209	4,617
7	7	12	12	24	62	28,680	8.41	47,800	14.01	50,000	14.65	1,833	4,203	4,610
7	7	7	18	24	63	28,680	8.41	47,800	14.01	50,000	14.65	1,808	4,146	4,547
9	9	9	12	24	63	28,680	8.41	47,800	14.01	50,000	14.65	1,830	4,197	4,603
9	9	9	18	18	63	28,680	8.41	47,800	14.01	50,000	14.65	1,808	4,146	4,547
9	12	12	12	18	63	28,680	8.41	47,800	14.01	50,000	14.65	1,830	4,197	4,603
7	9	12	12	24	64	28,680	8.41	47,800	14.01	50,000	14.65	1,828	4,191	4,596
7	9	12	18	18	64	28,680	8.41	47,800	14.01	50,000	14.65	1,806	4,140	4,541
7	7	9	18	24	65	28,680	8.41	47,800	14.01	50,000	14.65	1,803	4,133	4,534
9	9	12	12	24	66	28,680	8.41	47,800	14.01	50,000	14.65	1,822	4,178	4,583
12	12	12	12	18	66	28,680	8.41	47,800	14.01	50,000	14.65	1,822	4,178	4,583
7	9	9	18	24	67	28,680	8.41	47,800	14.01	50,000	14.65	1,797	4,121	4,520
7	12	12	12	24	67	28,680	8.41	47,800	14.01	50,000	14.65	1,819	4,172	4,576
7	12	12	18	18	67	28,680	8.41	47,800	14.01	50,000	14.65	1,797	4,121	4,520
7	7	18	18	18	68	28,680	8.41	47,800	14.01	50,000	14.65	1,773	4,064	4,458
7	7	7	24	24	69	28,680	8.41	47,800	14.01	50,000	14.65	1,792	4,109	4,507
9	9	9	18	24	69	28,680	8.41	47,800	14.01	50,000	14.65	1,792	4,109	4,507
9	12	12	12	24	69	28,680	8.41	47,800	14.01	50,000	14.65	1,814	4,159	4,562
9	12	12	18	18	69	28,680	8.41	47,800	14.01	50,000	14.65	1,792	4,109	4,507
7	9	12	18	24	70	28,680	8.41	47,800	14.01	50,000	14.65	1,789	4,103	4,500
7	9	18	18	18	70	28,680	8.41	47,800	14.01	50,000	14.65	1,767	4,052	4,445
7	7	9	24	24	71	28,680	8.41	47,800	14.01	50,000	14.65	1,787	4,096	4,493
9	9	18	18	18	72	28,680	8.41	47,800	14.01	50,000	14.65	1,762	4,040	4,431
12	12	12	18	18	72	28,680	8.41	47,800	14.01	50,000	14.65	1,784	4,090	4,486
12	12	12	12	24	72	28,680	8.41	47,800	14.01	50,000	14.65	1,806	4,141	4,542

Note

■ Capacities are based on the following conditions :

- Cooling : Indoor Ambient Temp. 27°CDB / 19°CWB, Outdoor Ambient Temp. 35°CDB / 24°CWB

- Heating : Indoor Ambient Temp. 20°CDB / 15°CWB, Outdoor Ambient Temp. 7°CDB / 6°CWB

- Interconnected piping is standard length and difference of Elevation (Outdoor ~ Indoor Unit) is 0 m.

■ At least two indoor units should be connected. And minimum limit of combination ratio is 40% approximately for rated capacity of outdoor unit.

■ Don't exceed the maximum connectable indoor units number, it can be found in Specifications or combination table of outdoor unit model.

8. Combination Table

8.2 Heating Operation

Z2UW18GFB1

Indoor Unit Operating (Capacity index, kBtu/h)						Total Capacity						Input (W)		
						Min		Rated		Max				
Unit-A	Unit-B	Unit-C	Unit-D	Unit-E	Total	Btu/h	kW	Btu/h	kW	Btu/h	kW	Min	Rated	Max
7	7	-	-	-	14	9,660	2.83	16,100	4.72	18,032	5.28	539	1,077	1,379
7	9	-	-	-	16	11,040	3.24	18,400	5.39	20,608	6.04	658	1,315	1,684
9	9	-	-	-	18	11,880	3.48	19,800	5.80	22,000	6.45	740	1,480	1,894
7	12	-	-	-	19	11,880	3.48	19,800	5.80	22,000	6.45	738	1,475	1,888
9	12	-	-	-	21	11,880	3.48	19,800	5.80	22,000	6.45	734	1,468	1,879
12	12	-	-	-	24	11,880	3.48	19,800	5.80	22,000	6.45	728	1,455	1,862
7	18	-	-	-	25	11,880	3.48	19,800	5.80	22,000	6.45	709	1,417	1,814
9	18	-	-	-	27	11,880	3.48	19,800	5.80	22,000	6.45	709	1,417	1,814

Note

- Capacities are based on the following conditions :
 - Cooling : Indoor Ambient Temp. 27°CDB / 19°CWB, Outdoor Ambient Temp. 35°CDB / 24°CWB
 - Heating : Indoor Ambient Temp. 20°CDB / 15°CWB, Outdoor Ambient Temp. 7°CDB / 6°CWB
 - Interconnected piping is standard length and difference of Elevation (Outdoor ~ Indoor Unit) is 0 m.
- At least two indoor units should be connected. And minimum limit of combination ratio is 40% approximately for rated capacity of outdoor unit.
- Don't exceed the maximum connectable indoor units number, it can be found in Specifications or combination table of outdoor unit model.

8. Combination Table

Z3UW21GFB1

Indoor Unit Operating (Capacity index, kBtu/h)						Total Capacity						Input (W)		
						Min		Rated		Max				
Unit-A	Unit-B	Unit-C	Unit-D	Unit-E	Total	Btu/h	kW	Btu/h	kW	Btu/h	kW	Min	Rated	Max
7	7	-	-	-	14	9,660	2.83	16,100	4.72	18,032	5.28	539	1,077	1,379
7	9	-	-	-	16	11,040	3.24	18,400	5.39	20,608	6.04	658	1,315	1,684
9	9	-	-	-	18	12,420	3.64	20,700	6.07	23,184	6.79	794	1,598	2,033
7	12	-	-	-	19	12,600	3.69	21,000	6.15	23,520	6.89	818	1,636	2,094
9	12	-	-	-	21	12,600	3.69	21,000	6.15	23,520	6.89	813	1,626	2,081
12	12	-	-	-	24	12,600	3.69	21,000	6.15	23,730	6.95	806	1,611	2,063
7	18	-	-	-	25	12,600	3.69	21,000	6.15	23,730	6.95	795	1,591	2,036
9	18	-	-	-	27	12,600	3.69	21,000	6.15	23,940	7.02	790	1,581	2,024
12	18	-	-	-	30	12,600	3.69	21,000	6.15	24,000	7.03	783	1,565	2,004
7	7	7	-	-	21	12,600	3.69	21,000	6.15	24,000	7.03	767	1,534	1,963
7	7	9	-	-	23	12,600	3.69	21,000	6.15	24,000	7.03	760	1,520	1,946
7	9	9	-	-	25	12,600	3.69	21,000	6.15	24,000	7.03	755	1,511	1,934
7	7	12	-	-	26	12,600	3.69	21,000	6.15	24,000	7.03	753	1,506	1,928
9	9	9	-	-	27	12,600	3.69	21,000	6.15	24,000	7.03	751	1,502	1,922
7	9	12	-	-	28	12,600	3.69	21,000	6.15	24,000	7.03	751	1,502	1,922
9	9	12	-	-	30	12,600	3.69	21,000	6.15	24,000	7.03	751	1,502	1,922
7	12	12	-	-	31	12,600	3.69	21,000	6.15	24,000	7.03	751	1,502	1,922
7	7	18	-	-	32	12,600	3.69	21,000	6.15	24,000	7.03	751	1,502	1,922
9	12	12	-	-	33	12,600	3.69	21,000	6.15	24,000	7.03	751	1,502	1,922

Note

- Capacities are based on the following conditions :
 - Cooling : Indoor Ambient Temp. 27°CDB / 19°CWB, Outdoor Ambient Temp. 35°CDB / 24°CWB
 - Heating : Indoor Ambient Temp. 20°CDB / 15°CWB, Outdoor Ambient Temp. 7°CDB / 6°CWB
 - Interconnected piping is standard length and difference of Elevation (Outdoor ~ Indoor Unit) is 0 m.
- At least two indoor units should be connected. And minimum limit of combination ratio is 40% approximately for rated capacity of outdoor unit.
- Don't exceed the maximum connectable indoor units number, it can be found in Specifications or combination table of outdoor unit model.

8. Combination Table

Z3UW24GFB1

Indoor Unit Operating (Capacity index, kBtu/h)						Total Capacity						Input (W)		
						Min		Rated		Max				
Unit-A	Unit-B	Unit-C	Unit-D	Unit-E	Total	Btu/h	kW	Btu/h	kW	Btu/h	kW	Min	Rated	Max
7	7	-	-	-	14	9,240	2.71	15,400	4.51	17,710	5.19	475	961	1,222
7	9	-	-	-	16	10,560	3.09	17,600	5.16	20,240	5.93	562	1,166	1,497
9	9	-	-	-	18	11,880	3.48	19,800	5.80	22,770	6.67	655	1,391	1,801
7	12	-	-	-	19	12,540	3.68	20,900	6.13	24,035	7.04	704	1,513	1,966
9	12	-	-	-	21	13,860	4.06	23,100	6.77	26,565	7.79	807	1,774	2,328
12	12	-	-	-	24	15,360	4.50	25,600	7.50	27,000	7.91	930	2,103	2,420
7	18	-	-	-	25	15,360	4.50	25,600	7.50	27,000	7.91	900	2,036	2,350
9	18	-	-	-	27	15,360	4.50	25,600	7.50	27,000	7.91	897	2,028	2,340
12	18	-	-	-	30	15,360	4.50	25,600	7.50	27,000	7.91	891	2,015	2,328
7	24	-	-	-	31	15,360	4.50	25,600	7.50	27,000	7.91	890	2,011	2,322
9	24	-	-	-	33	15,360	4.50	25,600	7.50	27,000	7.91	886	2,003	2,310
12	24	-	-	-	36	15,360	4.50	25,600	7.50	27,000	7.91	881	1,991	2,300
18	18	-	-	-	36	15,360	4.50	25,600	7.50	27,000	8.09	854	1,930	2,240
7	7	7	-	-	21	13,860	4.06	23,100	6.77	26,565	7.79	759	1,605	2,328
7	7	9	-	-	23	15,180	4.45	25,300	7.42	27,600	8.09	856	1,848	2,222
7	9	9	-	-	25	15,360	4.50	25,600	7.50	27,600	8.09	869	1,884	2,214
7	7	12	-	-	26	15,360	4.50	25,600	7.50	27,600	8.09	867	1,880	2,209
9	9	9	-	-	27	15,360	4.50	25,600	7.50	27,600	8.09	865	1,876	2,205
7	9	12	-	-	28	15,360	4.50	25,600	7.50	27,600	8.09	863	1,872	2,200
9	9	12	-	-	30	15,360	4.50	25,600	7.50	27,600	8.09	860	1,865	2,192
7	12	12	-	-	31	15,360	4.50	25,600	7.50	27,600	8.09	858	1,861	2,187
7	7	18	-	-	32	15,360	4.50	25,600	7.50	27,600	8.09	839	1,820	2,139
9	12	12	-	-	33	15,360	4.50	25,600	7.50	27,600	8.09	855	1,854	2,178
7	9	18	-	-	34	15,360	4.50	25,600	7.50	27,600	8.09	836	1,813	2,131
9	9	18	-	-	36	15,360	4.50	25,600	7.50	27,600	8.09	833	1,806	2,122
12	12	12	-	-	36	15,360	4.50	25,600	7.50	27,600	8.09	850	1,843	2,165
7	12	18	-	-	37	15,360	4.50	25,600	7.50	27,600	8.09	831	1,802	2,118
7	7	24	-	-	38	15,360	4.50	25,600	7.50	27,600	8.09	829	1,798	2,114
9	12	18	-	-	39	15,360	4.50	25,600	7.50	27,600	8.09	828	1,795	2,109

Note

■ Capacities are based on the following conditions :

- Cooling : Indoor Ambient Temp. 27°CDB / 19°CWB, Outdoor Ambient Temp. 35°CDB / 24°CWB

- Heating : Indoor Ambient Temp. 20°CDB / 15°CWB, Outdoor Ambient Temp. 7°CDB / 6°CWB

- Interconnected piping is standard length and difference of Elevation (Outdoor ~ Indoor Unit) is 0 m.

■ At least two indoor units should be connected. And minimum limit of combination ratio is 40% approximately for rated capacity of outdoor unit.

■ Don't exceed the maximum connectable indoor units number, it can be found in Specifications or combination table of outdoor unit model.

8. Combination Table

Z4UW30GFB1

Indoor Unit Operating (Capacity index, kBTu/h)						Total Capacity						Input (W)		
						Min		Rated		Max				
Unit-A	Unit-B	Unit-C	Unit-D	Unit-E	Total	Btu/h	kW	Btu/h	kW	Btu/h	kW	Min	Rated	Max
7	7	-	-	-	14	9,240	2.71	15,400	4.51	17,710	5.19	428	861	1,081
7	9	-	-	-	16	10,560	3.09	17,600	5.16	20,240	5.93	507	1,043	1,323
9	9	-	-	-	18	11,880	3.48	19,800	5.80	22,770	6.67	591	1,245	1,593
7	12	-	-	-	19	12,540	3.68	20,900	6.13	24,035	7.04	635	1,354	1,739
9	12	-	-	-	21	13,860	4.06	23,100	6.77	26,565	7.79	727	1,588	2,057
12	12	-	-	-	24	15,840	4.64	26,400	7.74	30,360	8.90	876	1,983	2,604
7	18	-	-	-	25	16,500	4.84	27,500	8.06	31,625	9.27	901	2,063	2,722
9	18	-	-	-	27	17,820	5.22	29,700	8.70	32,700	9.58	1,008	2,364	2,897
12	18	-	-	-	30	19,020	5.57	31,700	9.29	33,900	9.94	1,111	2,663	3,101
7	24	-	-	-	31	19,020	5.57	31,700	9.29	33,900	9.94	1,110	2,659	3,097
9	24	-	-	-	33	19,020	5.57	31,700	9.29	33,900	9.94	1,106	2,651	3,088
18	18	-	-	-	36	19,020	5.57	31,700	9.29	33,900	9.94	1,067	2,558	2,979
12	24	-	-	-	36	19,020	5.57	31,700	9.29	33,900	9.94	1,101	2,640	3,074
18	24	-	-	-	42	19,020	5.57	31,700	9.29	33,900	9.94	1,058	2,535	2,952
24	24	-	-	-	48	19,020	5.57	31,700	9.29	33,900	9.94	1,048	2,512	2,925
7	7	7	-	-	21	13,860	4.06	23,100	6.77	26,565	7.79	712	1,437	1,810
7	7	9	-	-	23	15,180	4.45	25,300	7.42	29,095	8.53	798	1,640	2,069
7	9	9	-	-	25	16,500	4.84	27,500	8.06	31,625	9.27	888	1,858	2,361
7	7	12	-	-	26	17,160	5.03	28,600	8.38	32,890	9.64	935	1,973	2,516
9	9	9	-	-	27	17,820	5.22	29,700	8.70	34,155	10.01	983	2,092	2,690
7	9	12	-	-	28	18,480	5.42	30,800	9.03	34,500	10.11	1,032	2,216	2,736
9	9	12	-	-	30	19,020	5.57	31,700	9.29	34,500	10.11	1,071	2,317	2,728
7	12	12	-	-	31	19,020	5.57	31,700	9.29	34,500	10.11	1,069	2,314	2,724
7	7	18	-	-	32	19,020	5.57	31,700	9.29	34,500	10.11	1,046	2,264	2,665
9	12	12	-	-	33	19,020	5.57	31,700	9.29	34,500	10.11	1,066	2,307	2,716
7	9	18	-	-	34	19,020	5.57	31,700	9.29	34,500	10.11	1,043	2,257	2,657
9	9	18	-	-	36	19,020	5.57	31,700	9.29	34,500	10.11	1,040	2,250	2,649
12	12	12	-	-	36	19,020	5.57	31,700	9.29	34,500	10.11	1,061	2,296	2,703
7	12	18	-	-	37	19,020	5.57	31,700	9.29	34,500	10.11	1,039	2,247	2,645
7	7	24	-	-	38	19,020	5.57	31,700	9.29	34,500	10.11	1,037	2,244	2,641
9	12	18	-	-	39	19,020	5.57	31,700	9.29	34,500	10.11	1,036	2,240	2,637
7	9	24	-	-	40	19,020	5.57	31,700	9.29	34,500	10.11	1,034	2,237	2,633
9	9	24	-	-	42	19,020	5.57	31,700	9.29	34,500	10.11	1,031	2,230	2,626
12	12	18	-	-	42	19,020	5.57	31,700	9.29	34,500	10.11	1,031	2,230	2,626
7	12	24	-	-	43	19,020	5.57	31,700	9.29	34,500	10.11	1,029	2,227	2,622
7	18	18	-	-	43	19,020	5.57	31,700	9.29	34,500	10.11	1,008	2,181	2,568
9	12	24	-	-	45	19,020	5.57	31,700	9.29	34,500	10.11	1,026	2,220	2,614
9	18	18	-	-	45	19,020	5.57	31,700	9.29	34,500	10.11	1,005	2,175	2,560
12	12	24	-	-	48	19,020	5.57	31,700	9.29	34,500	10.11	1,022	2,210	2,602
12	18	18	-	-	48	19,020	5.57	31,700	9.29	34,500	10.11	1,001	2,165	2,549
7	18	24	-	-	49	19,020	5.57	31,700	9.29	34,500	10.11	999	2,162	2,545
9	18	24	-	-	51	19,020	5.57	31,700	9.29	34,500	10.11	996	2,155	2,537
7	7	7	7	-	28	18,480	5.42	30,800	9.03	34,500	10.11	1,032	2,164	2,663
7	7	7	9	-	30	19,020	5.57	31,700	9.29	34,500	10.11	1,073	2,264	2,655
7	7	9	9	-	32	19,020	5.57	31,700	9.29	34,500	10.11	1,069	2,258	2,647
7	7	7	12	-	33	19,020	5.57	31,700	9.29	34,500	10.11	1,068	2,254	2,643
7	9	9	9	-	34	19,020	5.57	31,700	9.29	34,500	10.11	1,066	2,251	2,639
7	7	9	12	-	35	19,020	5.57	31,700	9.29	34,500	10.11	1,065	2,247	2,635
9	9	9	9	-	36	19,020	5.57	31,700	9.29	34,500	10.11	1,063	2,244	2,631
7	9	9	12	-	37	19,020	5.57	31,700	9.29	34,500	10.11	1,061	2,241	2,627

8. Combination Table

Indoor Unit Operating (Capacity index, kBtu/h)						Total Capacity						Input (W)		
						Min		Rated		Max				
Unit-A	Unit-B	Unit-C	Unit-D	Unit-E	Total	Btu/h	kW	Btu/h	kW	Btu/h	kW	Min	Rated	Max
7	7	12	12	-	38	19,020	5.57	31,700	9.29	34,500	10.11	1,060	2,237	2,623
7	7	7	18	-	39	19,020	5.57	31,700	9.29	34,500	10.11	1,042	2,200	2,580
9	9	9	12	-	39	19,020	5.57	31,700	9.29	34,500	10.11	1,058	2,234	2,620
7	9	12	12	-	40	19,020	5.57	31,700	9.29	34,500	10.11	1,057	2,231	2,616
7	7	9	18	-	41	19,020	5.57	31,700	9.29	34,500	10.11	1,039	2,194	2,572
9	9	12	12	-	42	19,020	5.57	31,700	9.29	34,500	10.11	1,054	2,224	2,608
7	9	9	18	-	43	19,020	5.57	31,700	9.29	34,500	10.11	1,036	2,187	2,565
7	12	12	12	-	43	19,020	5.57	31,700	9.29	34,500	10.11	1,052	2,221	2,604
7	7	12	18	-	44	19,020	5.57	31,700	9.29	34,500	10.11	1,035	2,184	2,561
7	7	7	24	-	45	19,020	5.57	31,700	9.29	34,500	10.11	1,033	2,181	2,557
9	9	9	18	-	45	19,020	5.57	31,700	9.29	34,500	10.11	1,033	2,181	2,557
9	12	12	12	-	45	19,020	5.57	31,700	9.29	34,500	10.11	1,049	2,214	2,596
7	9	12	18	-	46	19,020	5.57	31,700	9.29	34,500	10.11	1,031	2,177	2,553
7	7	9	24	-	47	19,020	5.57	31,700	9.29	34,500	10.11	1,030	2,174	2,549
9	9	12	18	-	48	19,020	5.57	31,700	9.29	34,500	10.11	1,028	2,171	2,546
12	12	12	12	-	48	19,020	5.57	31,700	9.29	34,500	10.11	1,044	2,204	2,584
7	9	9	24	-	49	19,020	5.57	31,700	9.29	34,500	10.11	1,027	2,168	2,542
7	12	12	18	-	49	19,020	5.57	31,700	9.29	34,500	10.11	1,027	2,168	2,542
7	7	12	24	-	50	19,020	5.57	31,700	9.29	34,500	10.11	1,025	2,164	2,538
7	7	18	18	-	50	19,020	5.57	31,700	9.29	34,500	10.11	1,010	2,131	2,499
9	9	9	24	-	51	19,020	5.57	31,700	9.29	34,500	10.11	1,024	2,161	2,534
9	12	12	18	-	51	19,020	5.57	31,700	9.29	34,500	10.11	1,024	2,161	2,534

Note

- Capacities are based on the following conditions :
 - Cooling : Indoor Ambient Temp. 27°CDB / 19°CWB, Outdoor Ambient Temp. 35°CDB / 24°CWB
 - Heating : Indoor Ambient Temp. 20°CDB / 15°CWB, Outdoor Ambient Temp. 7°CDB / 6°CWB
 - Interconnected piping is standard length and difference of Elevation (Outdoor ~ Indoor Unit) is 0 m.
- At least two indoor units should be connected. And minimum limit of combination ratio is 40% approximately for rated capacity of outdoor unit.
- Don't exceed the maximum connectable indoor units number, it can be found in Specifications or combination table of outdoor unit model.

8. Combination Table

Z5UW36GFB1

Indoor Unit Operating (Capacity index, kBTU/h)						Total Capacity						Input (W)		
						Min		Rated		Max				
Unit-A	Unit-B	Unit-C	Unit-D	Unit-E	Total	Btu/h	kW	Btu/h	kW	Btu/h	kW	Min	Rated	Max
7	7	-	-	-	14	9,240	2.71	15,400	4.51	17,710	5.19	428	861	1,081
7	9	-	-	-	16	10,560	3.09	17,600	5.16	20,240	5.93	507	1,043	1,323
9	9	-	-	-	18	11,880	3.48	19,800	5.80	22,770	6.67	591	1,245	1,593
7	12	-	-	-	19	12,540	3.68	20,900	6.13	24,035	7.04	635	1,354	1,739
9	12	-	-	-	21	13,860	4.06	23,100	6.77	26,565	7.79	727	1,588	2,057
12	12	-	-	-	24	15,840	4.64	26,400	7.74	30,360	8.90	876	1,983	2,604
7	18	-	-	-	25	16,500	4.84	27,500	8.06	31,625	9.27	901	2,063	2,722
9	18	-	-	-	27	17,820	5.22	29,700	8.70	34,155	10.01	1,008	2,364	2,897
12	18	-	-	-	30	19,800	5.80	33,000	9.67	36,300	10.64	1,181	2,806	3,410
7	24	-	-	-	31	20,460	6.00	34,100	9.99	36,700	10.76	1,243	2,987	3,444
9	24	-	-	-	33	21,780	6.38	36,300	10.64	36,700	10.76	1,370	3,373	3,433
18	18	-	-	-	36	21,900	6.42	36,500	10.70	36,900	10.81	1,339	3,305	3,328
12	24	-	-	-	36	21,900	6.42	36,500	10.70	36,900	10.81	1,382	3,410	3,434
18	24	-	-	-	42	21,900	6.42	36,500	10.70	37,200	10.90	1,327	3,275	3,341
24	24	-	-	-	48	21,900	6.42	36,500	10.70	37,200	10.90	1,315	3,246	3,311
7	7	7	-	-	21	13,860	4.06	23,100	6.77	26,565	7.79	712	1,437	1,810
7	7	9	-	-	23	15,180	4.45	25,300	7.42	29,095	8.53	798	1,640	2,069
7	9	9	-	-	25	16,500	4.84	27,500	8.06	31,625	9.27	888	1,858	2,361
7	7	12	-	-	26	17,160	5.03	28,600	8.38	32,890	9.64	935	1,973	2,516
9	9	9	-	-	27	17,820	5.22	29,700	8.70	34,155	10.01	983	2,092	2,690
7	9	12	-	-	28	18,480	5.42	30,800	9.03	35,420	10.38	1,032	2,216	2,805
9	9	12	-	-	30	19,800	5.80	33,000	9.67	37,950	11.12	1,132	2,469	3,157
7	12	12	-	-	31	20,460	6.00	34,100	9.99	39,000	11.43	1,185	2,606	3,312
7	7	18	-	-	32	21,120	6.19	35,200	10.32	39,000	11.43	1,213	2,693	3,241
9	12	12	-	-	33	21,780	6.38	36,300	10.64	39,000	11.43	1,292	2,895	3,302
7	9	18	-	-	34	21,900	6.42	36,500	10.70	39,000	11.43	1,276	2,865	3,231
9	9	18	-	-	36	21,900	6.42	36,500	10.70	39,000	11.43	1,272	2,856	3,221
12	12	12	-	-	36	21,900	6.42	36,500	10.70	39,000	11.43	1,298	2,914	3,287
7	12	18	-	-	37	21,900	6.42	36,500	10.70	39,000	11.43	1,271	2,852	3,217
7	7	24	-	-	38	21,900	6.42	36,500	10.70	39,000	11.43	1,269	2,847	3,212
9	12	18	-	-	39	21,900	6.42	36,500	10.70	39,000	11.43	1,267	2,843	3,207
7	9	24	-	-	40	21,900	6.42	36,500	10.70	39,000	11.43	1,265	2,839	3,202
9	9	24	-	-	42	21,900	6.42	36,500	10.70	39,000	11.43	1,261	2,830	3,192
12	12	18	-	-	42	21,900	6.42	36,500	10.70	39,000	11.43	1,261	2,830	3,192
7	12	24	-	-	43	21,900	6.42	36,500	10.70	39,000	11.43	1,259	2,826	3,188
7	18	18	-	-	43	21,900	6.42	36,500	10.70	39,000	11.43	1,233	2,768	3,123
9	12	24	-	-	45	21,900	6.42	36,500	10.70	39,000	11.43	1,255	2,818	3,178
9	18	18	-	-	45	21,900	6.42	36,500	10.70	39,000	11.43	1,230	2,760	3,113
12	12	24	-	-	48	21,900	6.42	36,500	10.70	39,000	11.43	1,250	2,805	3,164
12	18	18	-	-	48	21,900	6.42	36,500	10.70	39,000	11.43	1,224	2,748	3,099
7	18	24	-	-	49	21,900	6.42	36,500	10.70	39,000	11.43	1,222	2,744	3,095
9	18	24	-	-	51	21,900	6.42	36,500	10.70	39,000	11.43	1,219	2,735	3,085
12	18	24	-	-	54	21,900	6.42	36,500	10.70	39,000	11.43	1,213	2,723	3,072
18	18	18	-	-	54	21,900	6.42	36,500	10.70	39,000	11.43	1,188	2,666	3,008
7	24	24	-	-	55	21,900	6.42	36,500	10.70	39,000	11.43	1,211	2,719	3,067
9	24	24	-	-	57	21,900	6.42	36,500	10.70	39,000	11.43	1,208	2,711	3,058
7	7	7	7	-	28	18,480	5.42	30,800	9.03	35,420	10.38	1,032	2,164	2,728
7	7	7	9	-	30	19,800	5.80	33,000	9.67	37,950	11.12	1,117	2,382	3,064
7	7	9	9	-	32	21,120	6.19	35,200	10.32	39,000	11.43	1,219	2,621	3,211
7	7	7	12	-	33	21,780	6.38	36,300	10.64	39,000	11.43	1,272	2,759	3,206

8. Combination Table

Indoor Unit Operating (Capacity index, kBtu/h)						Total Capacity						Input (W)		
						Min		Rated		Max				
Unit-A	Unit-B	Unit-C	Unit-D	Unit-E	Total	Btu/h	kW	Btu/h	kW	Btu/h	kW	Min	Rated	Max
7	9	9	9	-	34	21,900	6.42	36,500	10.70	39,000	11.43	1,282	2,784	3,206
7	7	9	12	-	35	21,900	6.42	36,500	10.70	39,000	11.43	1,280	2,780	3,201
9	9	9	9	-	36	21,900	6.42	36,500	10.70	39,000	11.43	1,278	2,776	3,196
7	9	9	12	-	37	21,900	6.42	36,500	10.70	39,000	11.43	1,276	2,772	3,192
7	7	12	12	-	38	21,900	6.42	36,500	10.70	39,000	11.43	1,274	2,768	3,187
7	7	7	18	-	39	21,900	6.42	36,500	10.70	39,000	11.43	1,253	2,722	3,134
9	9	9	12	-	39	21,900	6.42	36,500	10.70	39,000	11.43	1,272	2,764	3,182
7	9	12	12	-	40	21,900	6.42	36,500	10.70	39,000	11.43	1,270	2,759	3,177
7	7	9	18	-	41	21,900	6.42	36,500	10.70	39,000	11.43	1,249	2,714	3,125
9	9	12	12	-	42	21,900	6.42	36,500	10.70	39,000	11.43	1,267	2,751	3,168
7	9	9	18	-	43	21,900	6.42	36,500	10.70	39,000	11.43	1,246	2,706	3,116
7	12	12	12	-	43	21,900	6.42	36,500	10.70	39,000	11.43	1,265	2,747	3,163
7	7	12	18	-	44	21,900	6.42	36,500	10.70	39,000	11.43	1,244	2,702	3,111
7	7	7	24	-	45	21,900	6.42	36,500	10.70	39,000	11.43	1,242	2,698	3,106
9	9	9	18	-	45	21,900	6.42	36,500	10.70	39,000	11.43	1,261	2,739	3,154
9	12	12	12	-	45	21,900	6.42	36,500	10.70	39,000	11.43	1,261	2,739	3,154
7	9	12	18	-	46	21,900	6.42	36,500	10.70	39,000	11.43	1,240	2,694	3,102
7	7	9	24	-	47	21,900	6.42	36,500	10.70	39,000	11.43	1,238	2,690	3,097
9	9	12	18	-	48	21,900	6.42	36,500	10.70	39,000	11.43	1,236	2,686	3,092
12	12	12	12	-	48	21,900	6.42	36,500	10.70	39,000	11.43	1,255	2,726	3,139
7	9	9	24	-	49	21,900	6.42	36,500	10.70	39,000	11.43	1,235	2,682	3,088
7	12	12	18	-	49	21,900	6.42	36,500	10.70	39,000	11.43	1,235	2,682	3,088
7	7	12	24	-	50	21,900	6.42	36,500	10.70	39,000	11.43	1,233	2,678	3,083
7	7	18	18	-	50	21,900	6.42	36,500	10.70	39,000	11.43	1,214	2,637	3,036
9	9	9	24	-	51	21,900	6.42	36,500	10.70	39,000	11.43	1,231	2,674	3,078
9	12	12	18	-	51	21,900	6.42	36,500	10.70	39,000	11.43	1,231	2,674	3,078
7	9	12	24	-	52	21,900	6.42	36,500	10.70	39,000	11.43	1,229	2,670	3,074
7	9	18	18	-	52	21,900	6.42	36,500	10.70	39,000	11.43	1,210	2,629	3,027
9	9	12	24	-	54	21,900	6.42	36,500	10.70	39,000	11.43	1,225	2,662	3,065
9	9	18	18	-	54	21,900	6.42	36,500	10.70	39,000	11.43	1,207	2,621	3,018
12	12	12	18	-	54	21,900	6.42	36,500	10.70	39,000	11.43	1,225	2,662	3,065
7	12	12	24	-	55	21,900	6.42	36,500	10.70	39,000	11.43	1,223	2,658	3,060
7	12	18	18	-	55	21,900	6.42	36,500	10.70	39,000	11.43	1,205	2,617	3,013
7	7	18	24	-	56	21,900	6.42	36,500	10.70	39,000	11.43	1,203	2,613	3,009
9	12	12	24	-	57	21,900	6.42	36,500	10.70	39,000	11.43	1,220	2,650	3,051
9	12	18	18	-	57	21,900	6.42	36,500	10.70	39,000	11.43	1,201	2,609	3,004
7	7	7	7	7	35	21,900	6.42	36,500	10.70	39,000	11.43	2,759	2,759	3,179
7	7	7	7	9	37	21,900	6.42	36,500	10.70	39,000	11.43	2,751	2,751	3,170
7	7	7	9	9	39	21,900	6.42	36,500	10.70	39,000	11.43	2,742	2,742	3,160
7	7	7	7	12	40	21,900	6.42	36,500	10.70	39,000	11.43	2,738	2,738	3,155
7	7	9	9	9	41	21,900	6.42	36,500	10.70	39,000	11.43	2,734	2,734	3,151
7	7	7	9	12	42	21,900	6.42	36,500	10.70	39,000	11.43	2,730	2,730	3,146
7	9	9	9	9	43	21,900	6.42	36,500	10.70	39,000	11.43	2,726	2,726	3,141
7	7	9	9	12	44	21,900	6.42	36,500	10.70	39,000	11.43	2,722	2,722	3,137
7	7	7	12	12	45	21,900	6.42	36,500	10.70	39,000	11.43	2,718	2,718	3,132
9	9	9	9	9	45	21,900	6.42	36,500	10.70	39,000	11.43	2,718	2,718	3,132
7	7	7	7	18	46	21,900	6.42	36,500	10.70	39,000	11.43	2,681	2,681	3,090
7	9	9	9	12	46	21,900	6.42	36,500	10.70	39,000	11.43	2,714	2,714	3,127
7	7	9	12	12	47	21,900	6.42	36,500	10.70	39,000	11.43	2,710	2,710	3,122
7	7	7	9	18	48	21,900	6.42	36,500	10.70	39,000	11.43	2,673	2,673	3,080
9	9	9	9	12	48	21,900	6.42	36,500	10.70	39,000	11.43	2,706	2,706	3,118

8. Combination Table

Indoor Unit Operating (Capacity index, kBtu/h)						Total Capacity						Input (W)		
						Min		Rated		Max				
Unit-A	Unit-B	Unit-C	Unit-D	Unit-E	Total	Btu/h	kW	Btu/h	kW	Btu/h	kW	Min	Rated	Max
7	9	9	12	12	49	21,900	6.42	36,500	10.70	39,000	11.43	2,701	2,701	3,113
7	7	9	9	18	50	21,900	6.42	36,500	10.70	39,000	11.43	2,665	2,665	3,071
7	7	12	12	12	50	21,900	6.42	36,500	10.70	39,000	11.43	2,697	2,697	3,108
7	7	7	12	18	51	21,900	6.42	36,500	10.70	39,000	11.43	2,661	2,661	3,067
9	9	9	12	12	51	21,900	6.42	36,500	10.70	39,000	11.43	2,693	2,693	3,104
7	7	7	7	24	52	21,900	6.42	36,500	10.70	39,000	11.43	2,657	2,657	3,062
7	9	9	9	18	52	21,900	6.42	36,500	10.70	39,000	11.43	2,657	2,657	3,062
7	9	12	12	12	52	21,900	6.42	36,500	10.70	39,000	11.43	2,689	2,689	3,099
7	7	9	12	18	53	21,900	6.42	36,500	10.70	39,000	11.43	2,653	2,653	3,057
7	7	7	9	24	54	21,900	6.42	36,500	10.70	39,000	11.43	2,649	2,649	3,053
9	9	9	9	18	54	21,900	6.42	36,500	10.70	39,000	11.43	2,649	2,649	3,053
9	9	12	12	12	54	21,900	6.42	36,500	10.70	39,000	11.43	2,681	2,681	3,090
7	9	9	12	18	55	21,900	6.42	36,500	10.70	39,000	11.43	2,645	2,645	3,048
7	12	12	12	12	55	21,900	6.42	36,500	10.70	39,000	11.43	2,677	2,677	3,085
7	7	9	9	24	56	21,900	6.42	36,500	10.70	39,000	11.43	2,641	2,641	3,044
7	7	12	12	18	56	21,900	6.42	36,500	10.70	39,000	11.43	2,641	2,641	3,044
7	7	7	12	24	57	21,900	6.42	36,500	10.70	39,000	11.43	2,637	2,637	3,039
7	7	7	18	18	57	21,900	6.42	36,500	10.70	39,000	11.43	2,605	2,605	3,002
9	9	9	12	18	57	21,900	6.42	36,500	10.70	39,000	11.43	2,637	2,637	3,039
9	12	12	12	12	57	21,900	6.42	36,500	10.70	39,000	11.43	2,669	2,669	3,076

Note

- Capacities are based on the following conditions :
 - Cooling : Indoor Ambient Temp. 27°CDB / 19°CWB, Outdoor Ambient Temp. 35°CDB / 24°CWB
 - Heating : Indoor Ambient Temp. 20°CDB / 15°CWB, Outdoor Ambient Temp. 7°CDB / 6°CWB
 - Interconnected piping is standard length and difference of Elevation (Outdoor ~ Indoor Unit) is 0 m.
- At least two indoor units should be connected. And minimum limit of combination ratio is 40% approximately for rated capacity of outdoor unit.
- Don't exceed the maximum connectable indoor units number, it can be found in Specifications or combination table of outdoor unit model.

8. Combination Table

Z5UW48GFB1

Indoor Unit Operating (Capacity index, kBTU/h)						Total Capacity						Input (W)		
						Min		Rated		Max				
Unit-A	Unit-B	Unit-C	Unit-D	Unit-E	Total	Btu/h	kW	Btu/h	kW	Btu/h	kW	Min	Rated	Max
7	7	-	-	-	14	9,240	2.71	15,400	4.51	17,710	5.19	427	807	994
7	9	-	-	-	16	10,560	3.09	17,600	5.16	20,240	5.93	501	966	1,197
9	9	-	-	-	18	11,880	3.48	19,800	5.80	22,770	6.67	579	1,137	1,419
7	12	-	-	-	19	12,540	3.68	20,900	6.13	24,035	7.04	620	1,228	1,537
9	12	-	-	-	21	13,860	4.06	23,100	6.77	26,565	7.79	704	1,420	1,790
12	12	-	-	-	24	15,840	4.64	26,400	7.74	30,360	8.90	838	1,738	2,213
7	18	-	-	-	25	16,500	4.84	27,500	8.06	31,625	9.27	858	1,796	2,295
9	18	-	-	-	27	17,820	5.22	29,700	8.70	34,155	10.01	953	2,030	2,611
12	18	-	-	-	30	19,800	5.80	33,000	9.67	37,950	11.12	1,103	2,415	3,139
7	24	-	-	-	31	20,460	6.00	34,100	9.99	39,215	11.49	1,156	2,553	3,329
9	24	-	-	-	33	21,780	6.38	36,300	10.64	41,745	12.23	1,264	2,844	3,733
18	18	-	-	-	36	23,760	6.96	39,600	11.61	45,540	13.35	1,392	3,219	4,270
12	24	-	-	-	36	23,760	6.96	39,600	11.61	45,540	13.35	1,437	3,321	4,406
18	24	-	-	-	42	27,720	8.12	46,200	13.54	52,000	15.24	1,763	4,304	5,572
24	24	-	-	-	48	29,280	8.58	48,800	14.30	52,000	15.24	2,041	4,798	5,563
7	7	7	-	-	21	13,860	4.06	23,100	6.77	26,565	7.79	695	1,346	1,672
7	7	9	-	-	23	15,180	4.45	25,300	7.42	29,095	8.53	778	1,528	1,909
7	9	9	-	-	25	16,500	4.84	27,500	8.06	31,625	9.27	863	1,722	2,163
7	7	12	-	-	26	17,160	5.03	28,600	8.38	32,890	9.64	908	1,824	2,297
9	9	9	-	-	27	17,820	5.22	29,700	8.70	34,155	10.01	953	1,929	2,436
7	9	12	-	-	28	18,480	5.42	30,800	9.03	35,420	10.38	999	2,037	2,579
9	9	12	-	-	30	19,800	5.80	33,000	9.67	37,950	11.12	1,093	2,382	2,882
7	12	12	-	-	31	20,460	6.00	34,100	9.99	39,215	11.49	1,142	2,504	3,042
7	7	18	-	-	32	21,120	6.19	35,200	10.32	40,480	11.86	1,168	2,577	3,142
9	12	12	-	-	33	21,780	6.38	36,300	10.64	41,745	12.23	1,242	2,759	3,377
7	9	18	-	-	34	22,440	6.58	37,400	10.96	43,010	12.61	1,268	2,835	3,483
9	9	18	-	-	36	23,760	6.96	39,600	11.61	45,540	13.35	1,372	3,109	3,847
12	12	12	-	-	36	23,760	6.96	39,600	11.61	45,540	13.35	1,400	3,172	3,926
7	12	18	-	-	37	24,420	7.16	40,700	11.93	46,805	13.72	1,425	3,252	4,039
7	7	24	-	-	38	25,080	7.35	41,800	12.25	48,070	14.09	1,476	3,399	4,237
9	12	18	-	-	39	25,740	7.54	42,900	12.57	49,335	14.46	1,535	3,551	4,441
7	9	24	-	-	40	26,400	7.74	44,000	12.90	50,600	14.83	1,591	3,707	4,653
9	9	24	-	-	42	27,720	8.12	46,200	13.54	52,000	15.24	1,708	4,034	4,896
12	12	18	-	-	42	27,720	8.12	46,200	13.54	52,000	15.24	1,708	4,034	4,896
7	12	24	-	-	43	28,380	8.32	47,300	13.86	52,000	15.24	1,777	4,205	4,889
7	18	18	-	-	43	28,380	8.32	47,300	13.86	52,000	15.24	1,740	4,119	4,789
9	12	24	-	-	45	29,280	8.58	48,800	14.30	52,000	15.24	1,860	4,269	4,874
9	18	18	-	-	45	29,280	8.58	48,800	14.30	52,000	15.24	1,822	4,182	4,775
12	12	24	-	-	48	29,280	8.58	48,800	14.30	52,000	15.24	1,852	4,250	4,852
12	18	18	-	-	48	29,280	8.58	48,800	14.30	52,000	15.24	1,814	4,163	4,753
7	18	24	-	-	49	29,280	8.58	48,800	14.30	52,000	15.24	1,812	4,157	4,746
9	18	24	-	-	51	29,280	8.58	48,800	14.30	52,000	15.24	1,806	4,144	4,732
12	18	24	-	-	54	29,280	8.58	48,800	14.30	52,000	15.24	1,798	4,126	4,711
18	18	18	-	-	54	29,280	8.58	48,800	14.30	52,000	15.24	1,761	4,040	4,612
7	24	24	-	-	55	29,280	8.58	48,800	14.30	52,000	15.24	1,795	4,119	4,703
9	24	24	-	-	57	29,280	8.58	48,800	14.30	52,000	15.24	1,790	4,107	4,689
12	24	24	-	-	60	29,280	8.58	48,800	14.30	52,000	15.24	1,782	4,089	4,668
18	18	24	-	-	60	29,280	8.58	48,800	14.30	52,000	15.24	1,745	4,003	4,571
18	24	24	-	-	66	29,280	8.58	48,800	14.30	52,000	15.24	1,729	3,967	4,530
24	24	24	-	-	72	29,280	8.58	48,800	14.30	52,000	15.24	1,714	3,932	4,489

8. Combination Table

Indoor Unit Operating (Capacity index, kBtu/h)						Total Capacity						Input (W)		
						Min		Rated		Max				
Unit-A	Unit-B	Unit-C	Unit-D	Unit-E	Total	Btu/h	kW	Btu/h	kW	Btu/h	kW	Min	Rated	Max
7	7	7	7	-	28	18,480	5.42	30,800	9.03	35,420	10.38	984	2,037	2,401
7	7	7	9	-	30	19,800	5.80	33,000	9.67	37,950	11.12	1,074	2,263	2,669
7	7	9	9	-	32	21,120	6.19	35,200	10.32	40,480	11.86	1,167	2,504	2,954
7	7	7	12	-	33	21,780	6.38	36,300	10.64	41,745	12.23	1,215	2,629	3,103
7	9	9	9	-	34	22,440	6.58	37,400	10.96	43,010	12.61	1,264	2,759	3,241
7	7	9	12	-	35	23,100	6.77	38,500	11.28	44,275	12.98	1,313	2,893	3,401
9	9	9	9	-	36	23,760	6.96	39,600	11.61	45,540	13.35	1,199	3,030	3,577
7	9	9	12	-	37	24,420	7.16	40,700	11.93	46,805	13.72	1,089	3,172	3,770
7	7	12	12	-	38	25,080	7.35	41,800	12.25	48,070	14.09	1,215	3,318	3,963
7	7	7	18	-	39	25,740	7.54	42,900	12.57	49,335	14.46	1,496	3,416	4,136
9	9	9	12	-	39	25,740	7.54	42,900	12.57	49,335	14.46	1,519	3,469	4,199
7	9	12	12	-	40	26,400	7.74	44,000	12.90	50,600	14.83	1,572	3,623	4,482
7	7	9	18	-	41	27,060	7.93	45,100	13.22	51,865	15.20	1,602	3,726	4,528
9	9	12	12	-	42	27,720	8.12	46,200	13.54	52,000	15.24	1,682	3,947	4,620
7	9	9	18	-	43	28,380	8.32	47,300	13.86	52,000	15.24	1,712	4,055	4,544
7	12	12	12	-	43	28,380	8.32	47,300	13.86	52,000	15.24	1,739	4,117	4,613
7	7	12	18	-	44	29,040	8.51	48,400	14.19	52,000	15.24	1,769	4,226	4,537
7	7	7	24	-	45	29,280	8.58	48,800	14.30	52,000	15.24	1,790	4,046	4,530
9	9	9	18	-	45	29,280	8.58	48,800	14.30	52,000	15.24	1,817	4,108	4,599
9	12	12	12	-	45	29,280	8.58	48,800	14.30	52,000	15.24	1,817	4,108	4,599
7	9	12	18	-	46	29,280	8.58	48,800	14.30	52,000	15.24	1,787	4,040	4,523
7	7	9	24	-	47	29,280	8.58	48,800	14.30	52,000	15.24	1,784	4,034	4,516
9	9	12	18	-	48	29,280	8.58	48,800	14.30	52,000	15.24	1,782	4,028	4,510
12	12	12	12	-	48	29,280	8.58	48,800	14.30	52,000	15.24	1,809	4,089	4,578
7	9	9	24	-	49	29,280	8.58	48,800	14.30	52,000	15.24	1,779	4,022	4,503
7	12	12	18	-	49	29,280	8.58	48,800	14.30	52,000	15.24	1,779	4,022	4,503
7	7	12	24	-	50	29,280	8.58	48,800	14.30	52,000	15.24	1,776	4,016	4,496
7	7	18	18	-	50	29,280	8.58	48,800	14.30	52,000	15.24	1,749	3,955	4,428
9	9	9	24	-	51	29,280	8.58	48,800	14.30	52,000	15.24	1,774	4,010	4,489
9	12	12	18	-	51	29,280	8.58	48,800	14.30	52,000	15.24	1,774	4,010	4,489
7	9	12	24	-	52	29,280	8.58	48,800	14.30	52,000	15.24	1,771	4,004	4,483
7	9	18	18	-	52	29,280	8.58	48,800	14.30	52,000	15.24	1,744	3,943	4,414
9	9	12	24	-	54	29,280	8.58	48,800	14.30	52,000	15.24	1,766	3,992	4,469
9	9	18	18	-	54	29,280	8.58	48,800	14.30	52,000	15.24	1,739	3,931	4,401
12	12	12	18	-	54	29,280	8.58	48,800	14.30	52,000	15.24	1,766	3,992	4,469
7	12	12	24	-	55	29,280	8.58	48,800	14.30	52,000	15.24	1,763	3,986	4,463
7	12	18	18	-	55	29,280	8.58	48,800	14.30	52,000	15.24	1,736	3,925	4,395
7	7	18	24	-	56	29,280	8.58	48,800	14.30	52,000	15.24	1,734	3,919	4,388
9	12	12	24	-	57	29,280	8.58	48,800	14.30	52,000	15.24	1,758	3,974	4,449
9	12	18	18	-	57	29,280	8.58	48,800	14.30	52,000	15.24	1,731	3,913	4,381
7	9	18	24	-	58	29,280	8.58	48,800	14.30	52,000	15.24	1,728	3,907	4,375
9	9	18	24	-	60	29,280	8.58	48,800	14.30	52,000	15.24	1,723	3,896	4,362
12	12	12	24	-	60	29,280	8.58	48,800	14.30	52,000	15.24	1,750	3,956	4,429
12	12	18	18	-	60	29,280	8.58	48,800	14.30	52,000	15.24	1,723	3,896	4,362
7	12	18	24	-	61	29,280	8.58	48,800	14.30	52,000	15.24	1,721	3,890	4,355
7	18	18	18	-	61	29,280	8.58	48,800	14.30	52,000	15.24	1,694	3,830	4,288
7	7	24	24	-	62	29,280	8.58	48,800	14.30	52,000	15.24	1,718	3,884	4,349
9	12	18	24	-	63	29,280	8.58	48,800	14.30	52,000	15.24	1,715	3,878	4,342
9	18	18	18	-	63	29,280	8.58	48,800	14.30	52,000	15.24	1,689	3,818	4,275
7	9	24	24	-	64	29,280	8.58	48,800	14.30	52,000	15.24	1,713	3,872	4,336
9	9	24	24	-	66	29,280	8.58	48,800	14.30	52,000	15.24	1,708	3,861	4,323

8. Combination Table

Indoor Unit Operating (Capacity index, kBtu/h)						Total Capacity						Input (W)		
						Min		Rated		Max				
Unit-A	Unit-B	Unit-C	Unit-D	Unit-E	Total	Btu/h	kW	Btu/h	kW	Btu/h	kW	Min	Rated	Max
12	12	18	24	-	66	29,280	8.58	48,800	14.30	52,000	15.24	1,708	3,861	4,323
12	18	18	18	-	66	29,280	8.58	48,800	14.30	52,000	15.24	1,681	3,801	4,256
7	12	24	24	-	67	29,280	8.58	48,800	14.30	52,000	15.24	1,705	3,855	4,316
7	18	18	24	-	67	29,280	8.58	48,800	14.30	52,000	15.24	1,679	3,795	4,249
9	12	24	24	-	69	29,280	8.58	48,800	14.30	52,000	15.24	1,700	3,843	4,303
9	18	18	24	-	69	29,280	8.58	48,800	14.30	52,000	15.24	1,674	3,784	4,237
12	12	24	24	-	72	29,280	8.58	48,800	14.30	52,000	15.24	1,692	3,826	4,284
12	18	18	24	-	72	29,280	8.58	48,800	14.30	52,000	15.24	1,666	3,767	4,218
18	18	18	18	-	72	29,280	8.58	48,800	14.30	52,000	15.24	1,640	3,708	4,151
7	7	7	7	7	35	23,100	6.77	38,500	11.28	44,275	12.98	1,305	2,701	3,443
7	7	7	7	9	37	24,420	7.16	40,700	11.93	46,805	13.72	1,407	2,946	3,645
7	7	7	9	9	39	25,740	7.54	42,900	12.57	49,335	14.46	1,504	3,205	4,044
7	7	7	7	12	40	26,400	7.74	44,000	12.90	50,600	14.83	1,562	3,339	4,424
7	7	9	9	9	41	27,060	7.93	45,100	13.22	51,865	15.20	1,622	3,484	4,626
7	7	7	9	12	42	27,720	8.12	46,200	13.54	52,000	15.24	1,673	3,646	4,649
7	9	9	9	9	43	28,380	8.32	47,300	13.86	52,000	15.24	1,734	3,815	4,642
7	7	9	9	12	44	29,040	8.51	48,400	14.19	52,000	15.24	1,787	3,991	4,635
7	7	7	12	12	45	29,280	8.58	48,800	14.30	52,000	15.24	1,810	4,056	4,628
9	9	9	9	9	45	29,280	8.58	48,800	14.30	52,000	15.24	1,810	4,056	4,628
7	7	7	7	18	46	29,280	8.58	48,800	14.30	52,000	15.24	1,785	4,002	4,565
7	9	9	9	12	46	29,280	8.58	48,800	14.30	52,000	15.24	1,807	4,050	4,621
7	7	9	12	12	47	29,280	8.58	48,800	14.30	52,000	15.24	1,804	4,044	4,614
7	7	7	9	18	48	29,280	8.58	48,800	14.30	52,000	15.24	1,780	3,990	4,552
9	9	9	9	12	48	29,280	8.58	48,800	14.30	52,000	15.24	1,802	4,038	4,607
7	9	9	12	12	49	29,280	8.58	48,800	14.30	52,000	15.24	1,799	4,032	4,600
7	7	9	9	18	50	29,280	8.58	48,800	14.30	52,000	15.24	1,775	3,978	4,538
7	7	12	12	12	50	29,280	8.58	48,800	14.30	52,000	15.24	1,796	4,026	4,593
7	7	7	12	18	51	29,280	8.58	48,800	14.30	52,000	15.24	1,772	3,972	4,531
9	9	9	12	12	51	29,280	8.58	48,800	14.30	52,000	15.24	1,793	4,020	4,586
7	7	7	7	24	52	29,280	8.58	48,800	14.30	52,000	15.24	1,769	3,966	4,524
7	9	9	9	18	52	29,280	8.58	48,800	14.30	52,000	15.24	1,769	3,966	4,524
7	9	12	12	12	52	29,280	8.58	48,800	14.30	52,000	15.24	1,791	4,014	4,579
7	7	9	12	18	53	29,280	8.58	48,800	14.30	52,000	15.24	1,767	3,960	4,518
7	7	7	9	24	54	29,280	8.58	48,800	14.30	52,000	15.24	1,764	3,954	4,511
9	9	9	9	18	54	29,280	8.58	48,800	14.30	52,000	15.24	1,764	3,954	4,511
9	9	12	12	12	54	29,280	8.58	48,800	14.30	52,000	15.24	1,785	4,002	4,566
7	9	9	12	18	55	29,280	8.58	48,800	14.30	52,000	15.24	1,761	3,948	4,504
7	12	12	12	12	55	29,280	8.58	48,800	14.30	52,000	15.24	1,783	3,996	4,559
7	7	9	9	24	56	29,280	8.58	48,800	14.30	52,000	15.24	1,759	3,942	4,497
7	7	12	12	18	56	29,280	8.58	48,800	14.30	52,000	15.24	1,759	3,942	4,497
7	7	7	12	24	57	29,280	8.58	48,800	14.30	52,000	15.24	1,756	3,936	4,490
7	7	7	18	18	57	29,280	8.58	48,800	14.30	52,000	15.24	1,735	3,888	4,436
9	9	9	12	18	57	29,280	8.58	48,800	14.30	52,000	15.24	1,756	3,936	4,490
9	12	12	12	12	57	29,280	8.58	48,800	14.30	52,000	15.24	1,777	3,984	4,545
7	9	9	9	24	58	29,280	8.58	48,800	14.30	52,000	15.24	1,753	3,930	4,484
7	9	12	12	18	58	29,280	8.58	48,800	14.30	52,000	15.24	1,753	3,930	4,484
7	7	9	12	24	59	29,280	8.58	48,800	14.30	52,000	15.24	1,751	3,924	4,477
7	7	9	18	18	59	29,280	8.58	48,800	14.30	52,000	15.24	1,730	3,877	4,423
9	9	9	9	24	60	29,280	8.58	48,800	14.30	52,000	15.24	1,748	3,918	4,470
9	9	12	12	18	60	29,280	8.58	48,800	14.30	52,000	15.24	1,748	3,918	4,470
12	12	12	12	12	60	29,280	8.58	48,800	14.30	52,000	15.24	1,769	3,966	4,525

8. Combination Table

Indoor Unit Operating (Capacity index, kBtu/h)						Total Capacity						Input (W)		
						Min		Rated		Max				
Unit-A	Unit-B	Unit-C	Unit-D	Unit-E	Total	Btu/h	kW	Btu/h	kW	Btu/h	kW	Min	Rated	Max
7	9	9	12	24	61	29,280	8.58	48,800	14.30	52,000	15.24	1,746	3,913	4,464
7	9	9	18	18	61	29,280	8.58	48,800	14.30	52,000	15.24	1,724	3,865	4,409
7	12	12	12	18	61	29,280	8.58	48,800	14.30	52,000	15.24	1,746	3,913	4,464
7	7	12	12	24	62	29,280	8.58	48,800	14.30	52,000	15.24	1,743	3,907	4,457
7	7	7	18	24	63	29,280	8.58	48,800	14.30	52,000	15.24	1,719	3,854	4,396
9	9	9	12	24	63	29,280	8.58	48,800	14.30	52,000	15.24	1,740	3,901	4,450
9	9	9	18	18	63	29,280	8.58	48,800	14.30	52,000	15.24	1,719	3,854	4,396
9	12	12	12	18	63	29,280	8.58	48,800	14.30	52,000	15.24	1,740	3,901	4,450
7	9	12	12	24	64	29,280	8.58	48,800	14.30	52,000	15.24	1,738	3,895	4,444
7	9	12	18	18	64	29,280	8.58	48,800	14.30	52,000	15.24	1,717	3,848	4,390
7	7	9	18	24	65	29,280	8.58	48,800	14.30	52,000	15.24	1,714	3,842	4,383
9	9	12	12	24	66	29,280	8.58	48,800	14.30	52,000	15.24	1,733	3,883	4,430
12	12	12	12	18	66	29,280	8.58	48,800	14.30	52,000	15.24	1,733	3,883	4,430
7	9	9	18	24	67	29,280	8.58	48,800	14.30	52,000	15.24	1,709	3,830	4,370
7	12	12	12	24	67	29,280	8.58	48,800	14.30	52,000	15.24	1,730	3,878	4,424
7	12	12	18	18	67	29,280	8.58	48,800	14.30	52,000	15.24	1,709	3,830	4,370
7	7	18	18	18	68	29,280	8.58	48,800	14.30	52,000	15.24	1,685	3,778	4,310
7	7	7	24	24	69	29,280	8.58	48,800	14.30	52,000	15.24	1,704	3,819	4,357
9	9	9	18	24	69	29,280	8.58	48,800	14.30	52,000	15.24	1,704	3,819	4,357
9	12	12	12	24	69	29,280	8.58	48,800	14.30	52,000	15.24	1,725	3,866	4,410
9	12	12	18	18	69	29,280	8.58	48,800	14.30	52,000	15.24	1,704	3,819	4,357
7	9	12	18	24	70	29,280	8.58	48,800	14.30	52,000	15.24	1,701	3,813	4,350
7	9	18	18	18	70	29,280	8.58	48,800	14.30	52,000	15.24	1,680	3,766	4,297
7	7	9	24	24	71	29,280	8.58	48,800	14.30	52,000	15.24	1,699	3,808	4,344
9	9	18	18	18	72	29,280	8.58	48,800	14.30	52,000	15.24	1,675	3,755	4,284
12	12	12	18	18	72	29,280	8.58	48,800	14.30	52,000	15.24	1,696	3,802	4,337
12	12	12	12	24	72	29,280	8.58	48,800	14.30	52,000	15.24	1,717	3,849	4,391

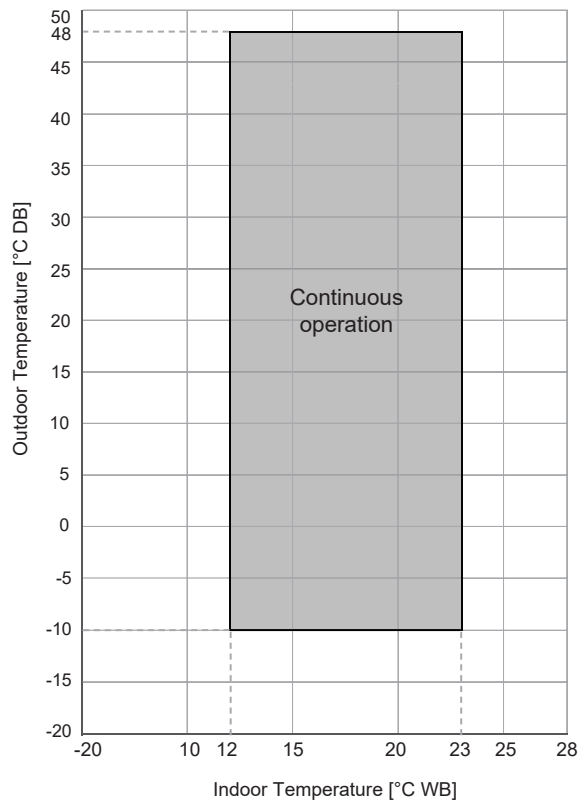
Note

- Capacities are based on the following conditions :
 - Cooling : Indoor Ambient Temp. 27°CDB / 19°CWB, Outdoor Ambient Temp. 35°CDB / 24°CWB
 - Heating : Indoor Ambient Temp. 20°CDB / 15°CWB, Outdoor Ambient Temp. 7°CDB / 6°CWB
 - Interconnected piping is standard length and difference of Elevation (Outdoor ~ Indoor Unit) is 0 m.
- At least two indoor units should be connected. And minimum limit of combination ratio is 40% approximately for rated capacity of outdoor unit.
- Don't exceed the maximum connectable indoor units number, it can be found in Specifications or combination table of outdoor unit model.

9. Operation Limits

9.1 Cooling Operation

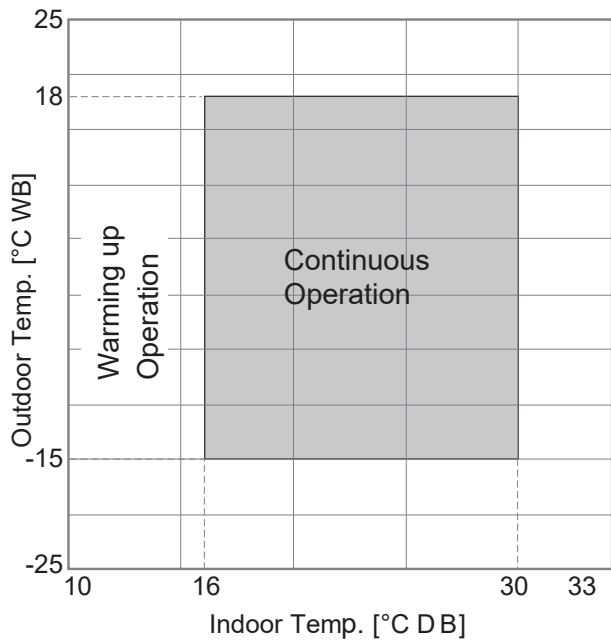
Z2UW18GFB1, Z3UW21GFB1, Z3UW24GFB1, Z4UW30GFB1, Z5UW36GFB1, Z5UW48GFB1



9. Operation Limits

9.2 Heating Operation

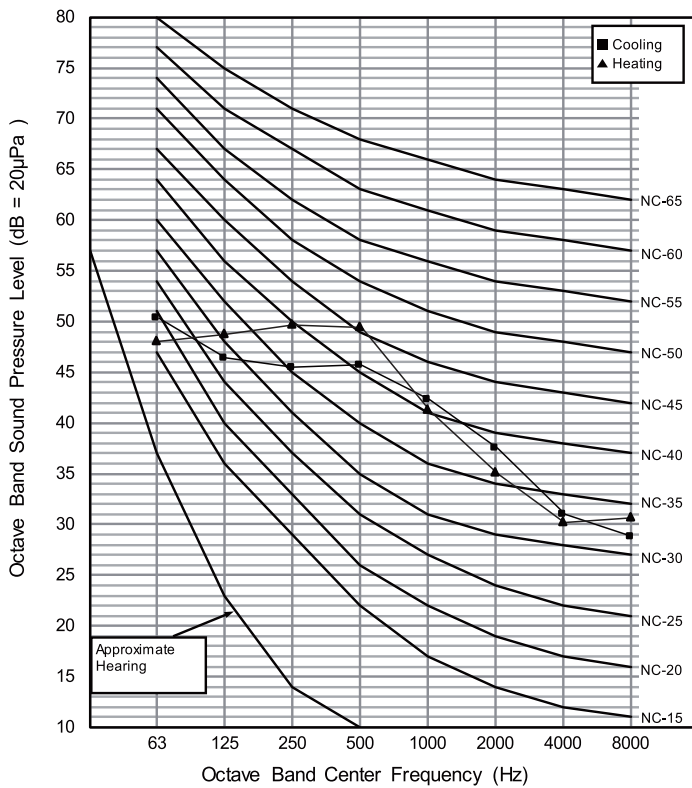
Z2UW18GFB1, Z3UW21GFB1, Z3UW24GFB1, Z4UW30GFB1, Z5UW36GFB1, Z5UW48GFB1



10. Sound Levels

10.1 Pressure Levels

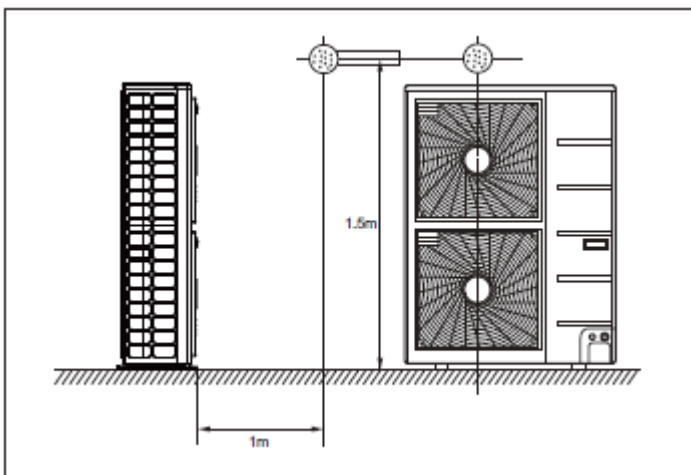
Z2UW18GFB1



Sound level [dB(A), @ Standard condition]	
Cooling / Heating (@ 1.5m height)	47.0 / 49.0

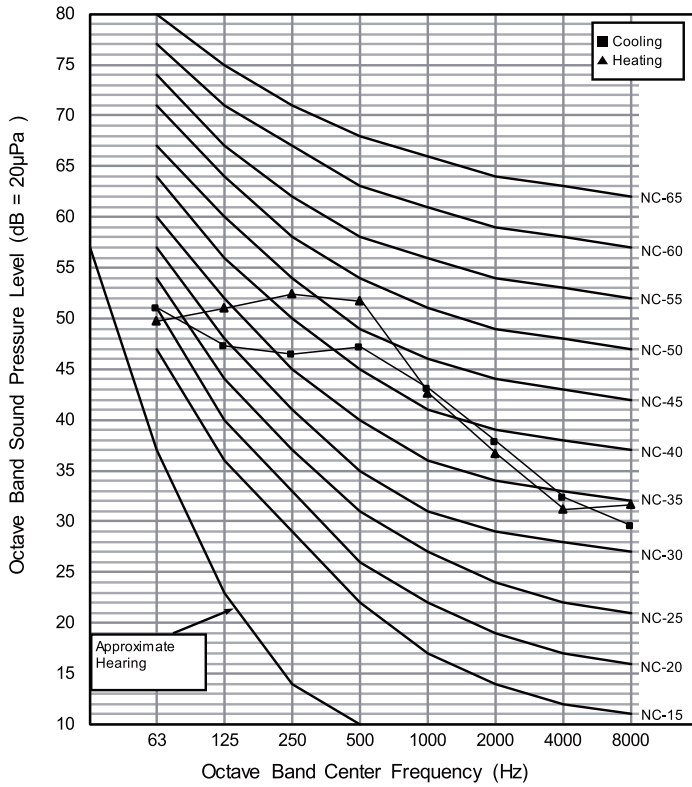
Note

- Data is valid at diffuse field condition.
- Data is valid at nominal operating condition.
- Reference acoustic pressure 0dB = 20µPa.
- Refer to the model specifications for nominal conditions. (Power source and Ambient temperature, etc)
- Sound levels can be increased in accordance with installation and operating conditions. (Operating conditions include some functional condition like Static pressure mode, air guide use, Room target temperature setting, etc and these functions are different in accordance with each model.)
- Sound level will vary depending on a range of factors such as the construction(acoustic absorption coefficient) of particular room in which the equipment is installed.
- Sound pressure level is measured on the rated condition in the anechoic rooms by ISO 3745 standard. Therefore, these values can be increased owing to ambient conditions during operation.



10. Sound Levels

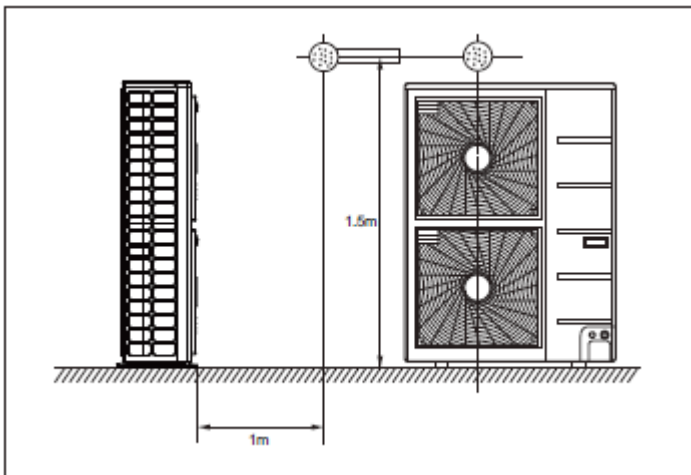
Z3UW21GFB1



Sound level [dB(A), @ Standard condition]	
Cooling / Heating (@ 1.5m height)	48.0 / 50.0

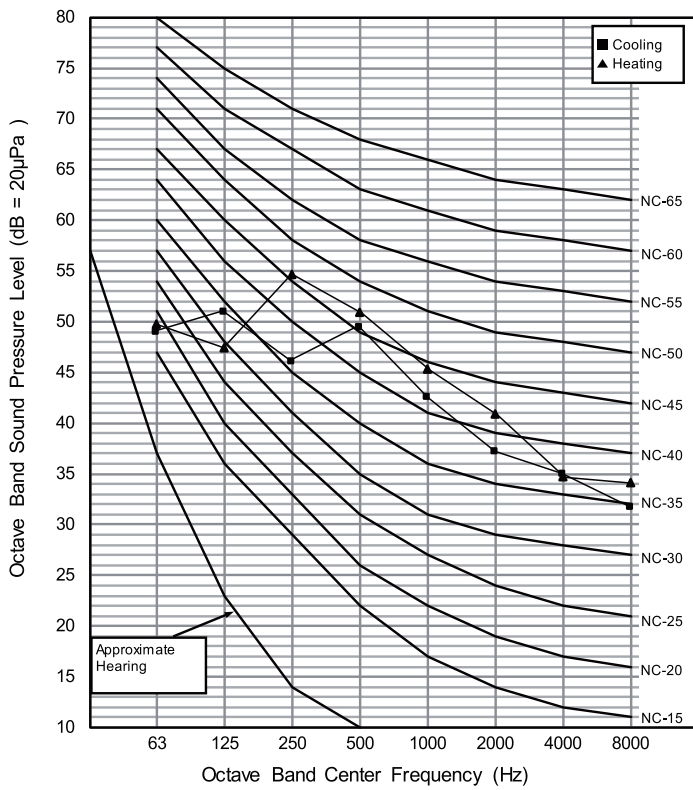
Note

- Data is valid at diffuse field condition.
- Data is valid at nominal operating condition.
- Reference acoustic pressure 0dB = 20µPa.
- Refer to the model specifications for nominal conditions. (Power source and Ambient temperature, etc)
- Sound levels can be increased in accordance with installation and operating conditions.
(Operating conditions include some functional condition like Static pressure mode, air guide use, Room target temperature setting, etc and these functions are different in accordance with each model.)
- Sound level will vary depending on a range of factors such as the construction(acoustic absorption coefficient) of particular room in which the equipment in installed.
- Sound pressure level is measured on the rated condition in the anechoic rooms by ISO 3745 standard.
Therefore, these values can be increased owing to ambient conditions during operation.



10. Sound Levels

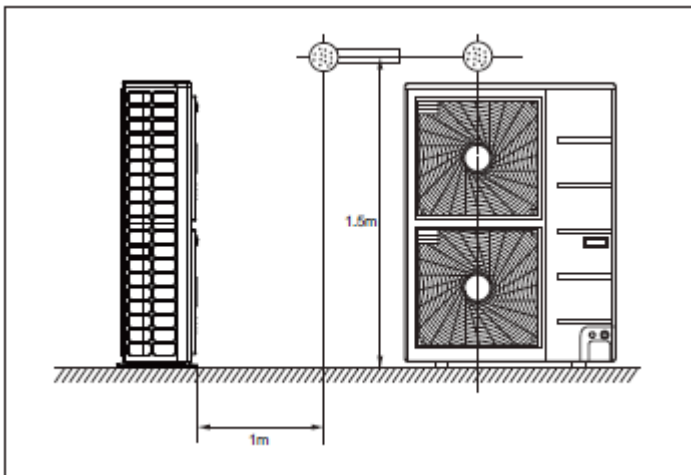
Z3UW24GFB1



Sound level [dB(A), @ Standard condition]	
Cooling / Heating (@ 1.5m height)	48.0 / 51.0

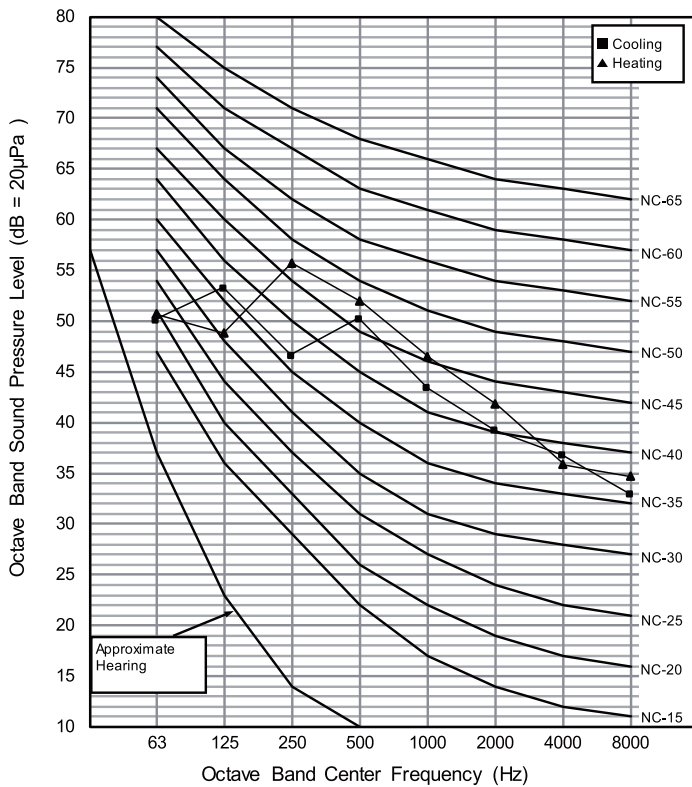
Note

- Data is valid at diffuse field condition.
- Data is valid at nominal operating condition.
- Reference accoustic pressure 0dB = 20µPa.
- Refer to the model specifications for nominal conditions. (Power source and Ambient temperature, etc)
- Sound levels can be increased in accordance with installation and operating conditions.
(Operating conditions include some functional condition like Static pressure mode, air guide use, Room target temperature setting, etc and these functions are different in accordance with each model.)
- Sound level will vary depending on a range of factors such as the construction(acoustic absorption coefficient) of particular room in which the equipment in installed.
- Sound pressure level is measured on the rated condition in the anechoic rooms by ISO 3745 standard.
Therefore, these values can be increased owing to ambient conditions during operation.



10. Sound Levels

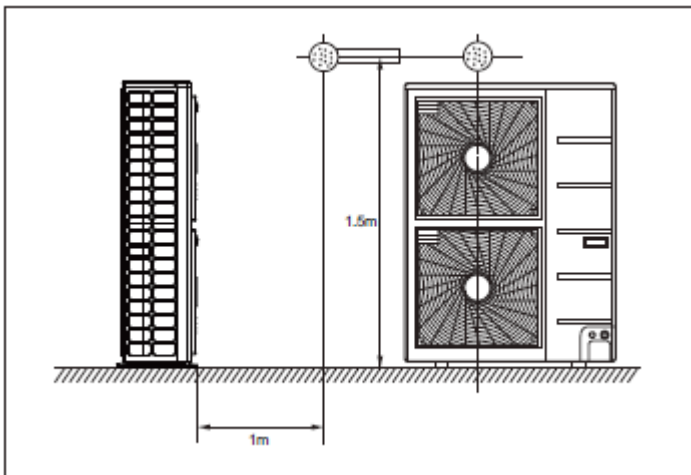
Z4UW30GFB1



Sound level [dB(A), @ Standard condition]	
Cooling / Heating (@ 1.5m height)	49.0 / 52.0

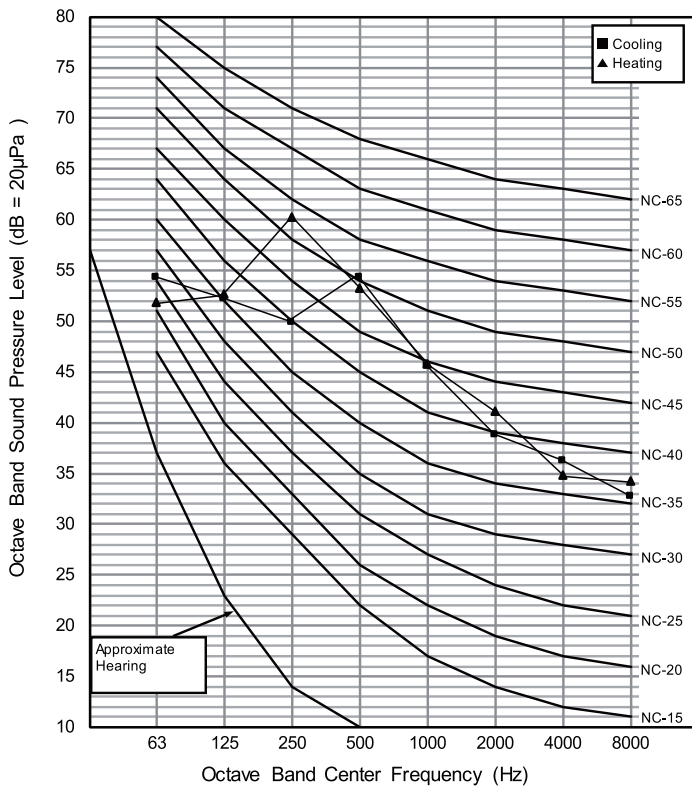
Note

- Data is valid at diffuse field condition.
- Data is valid at nominal operating condition.
- Reference accoustic pressure 0dB = 20µPa.
- Refer to the model specifications for nominal conditions. (Power source and Ambient temperature, etc)
- Sound levels can be increased in accordance with installation and operating conditions.
(Operating conditions include some functional condition like Static pressure mode, air guide use, Room target temperature setting, etc and these functions are different in accordance with each model.)
- Sound level will vary depending on a range of factors such as the construction(acoustic absorption coefficient) of particular room in which the equipment in installed.
- Sound pressure level is measured on the rated condition in the anechoic rooms by ISO 3745 standard.
Therefore, these values can be increased owing to ambient conditions during operation.



10. Sound Levels

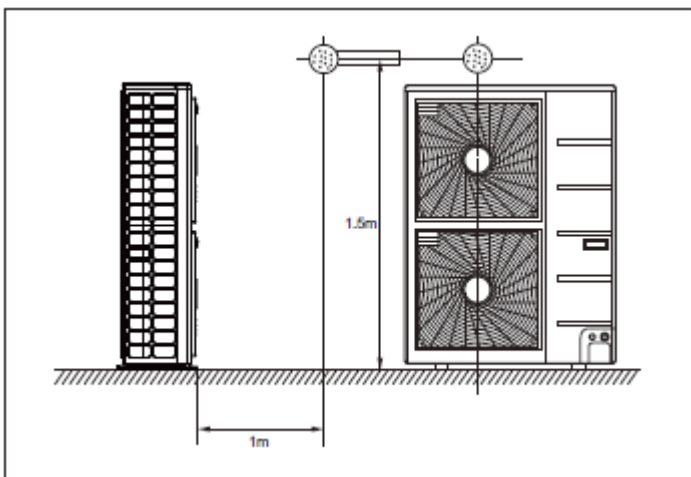
Z5UW36GFB1



Sound level [dB(A), @ Standard condition]	
Cooling / Heating (@ 1.5m height)	50.0 / 53.0

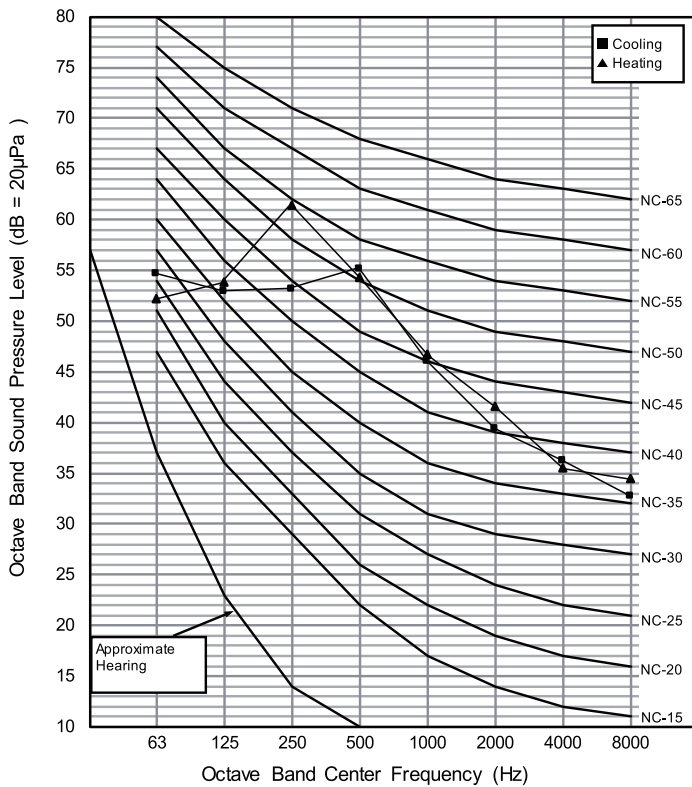
Note

- Data is valid at diffuse field condition.
- Data is valid at nominal operating condition.
- Reference accoustic pressure 0dB = 20µPa.
- Refer to the model specifications for nominal conditions. (Power source and Ambient temperature, etc)
- Sound levels can be increased in accordance with installation and operating conditions.
(Operating conditions include some functional condition like Static pressure mode, air guide use, Room target temperature setting, etc and these functions are different in accordance with each model.)
- Sound level will vary depending on a range of factors such as the construction(acoustic absorption coefficient) of particular room in which the equipment in installed.
- Sound pressure level is measured on the rated condition in the anechoic rooms by ISO 3745 standard.
Therefore, these values can be increased owing to ambient conditions during operation.



10. Sound Levels

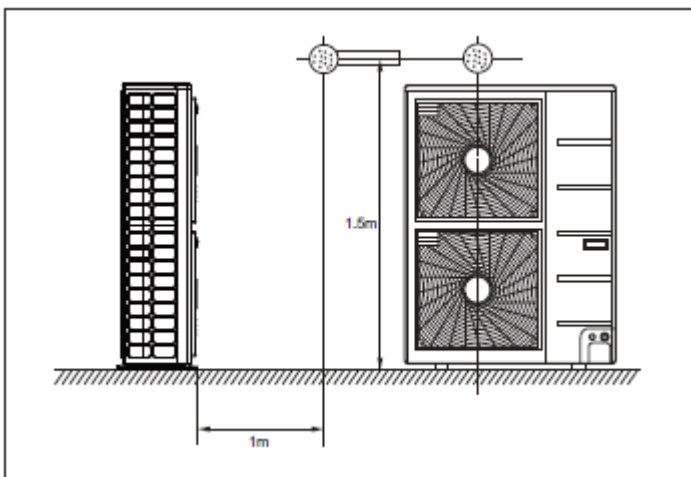
Z5UW48GFB1



Sound level [dB(A), @ Standard condition]	
Cooling / Heating (@ 1.5m height)	54.0 / 56.0

Note

- Data is valid at diffuse field condition.
- Data is valid at nominal operating condition.
- Reference accoustic pressure 0dB = 20µPa.
- Refer to the model specifications for nominal conditions. (Power source and Ambient temperature, etc)
- Sound levels can be increased in accordance with installation and operating conditions.
(Operating conditions include some functional condition like Static pressure mode, air guide use, Room target temperature setting, etc and these functions are different in accordance with each model.)
- Sound level will vary depending on a range of factors such as the construction(acoustic absorption coefficient) of particular room in which the equipment in installed.
- Sound pressure level is measured on the rated condition in the anechoic rooms by ISO 3745 standard.
Therefore, these values can be increased owing to ambient conditions during operation.



Installation

Installation of Outdoor Unit

1. Information for Refrigerant

1.1 Alternative Refrigerant

The type of refrigerant applied depends on the outdoor unit cycle configuration. Ensure the refrigerant type in the specification of the indoor unit and outdoor unit to be installed.

■ Alternative Refrigerant _ R32

- The refrigerant R32 has a lower GWP (Global Warming Potential) value, and higher efficiency than R410A. The Ozone Depletion Potential (ODP) of R32 is 0, and Global Warming Potential(GWP) is 675.
- Refrigerant piping consists of copper/steel pipes, joints, and other fittings. All components must be selected and installed in conformity with the standards pertaining to the Refrigeration Safety Regulation.
- Same piping as for R410A can be used.

< ! > WARNING

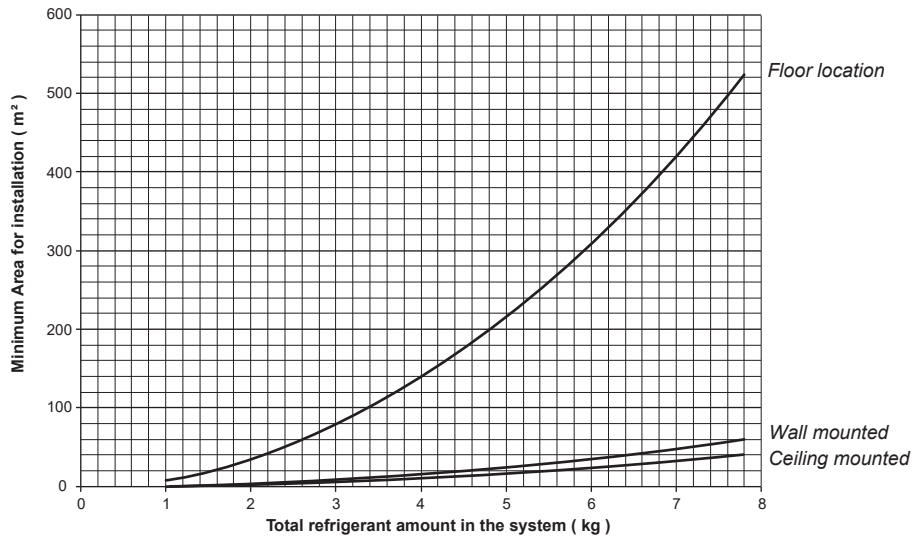
- This product contains fluorinated greenhouse gases (Refrigerant type : R32).
DO NOT LEAK refrigerant gases into the atmosphere.
- The refrigerant R32 is a Slightly Flammable gas. It does not leak normally. If the refrigerant leaks in the installed place and is in contact with a flaming source, it may cause fire, or a harmful gas.
- If there is some leak, turn off any combustion devices, ventilate the installation location, and contact the dealer from which you purchased the unit. Do not use the unit until the refrigerant leaked is repaired.
- Only use R32 as refrigerant. Other substances may cause explosions and accidents.

< ! > CAUTIONS

- The wall thickness of the piping should comply with the relevant local and national regulations for the designed pressure.
- For high-pressure refrigerant, any unapproved pipe must not be used.
- Do not heat pipes more than necessary to prevent them from softening.

1. Information for Refrigerant

1.2 Minimum Floor Area for Installation : accordance with IEC05



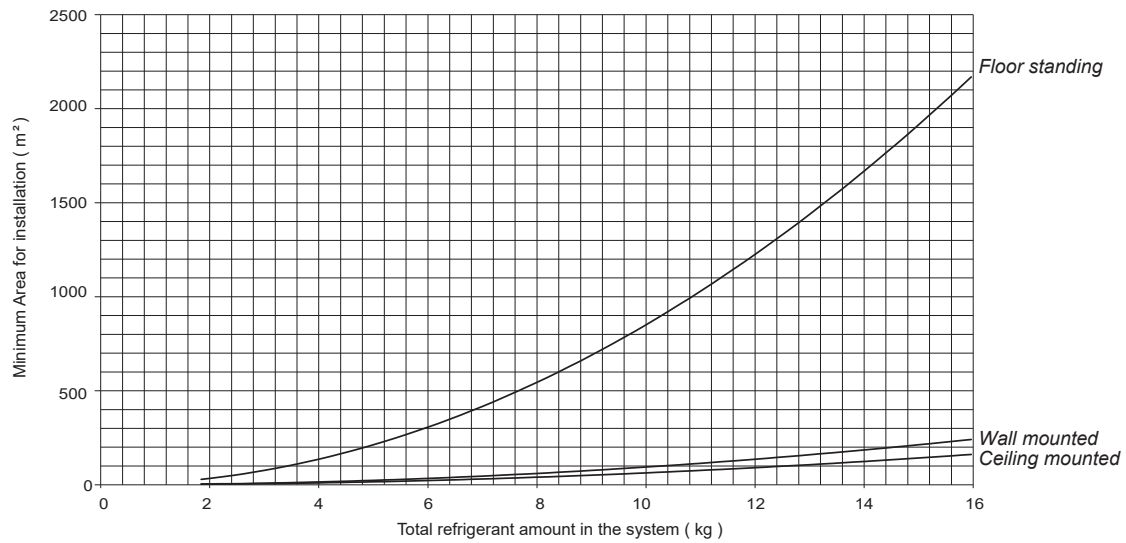
<I> CAUTIONS

- "Minimum Area for installation" might be different by revision of IEC regulation. "Minimum Area for installation" should be selected in accordance with that revision based on the local and national environment.
- The following information is according to '**IEC 60335-2-40:2013+A1:2016 Edition 5.1'**.
- Pipe-work shall be protected from physical damage and shall not be installed in an unventilated space, if that space is smaller than minimum area for installation.
- The unit should be installed, operated and stored in a room with a floor area larger than the minimum area. Use the upper graph or the below table to determine the minimum area.
 - m_c : Total refrigerant amount in the system = factory refrigerant charge + additional refrigerant amount (kg)
 - A_{min} : Minimum Area for installation of unit

m_c (kg)	A_{min}		
	Floor Location	Wall Mounted	Ceiling Mounted
1.0	8.58	0.95	0.64
1.224	12.90	1.43	0.958
1.4	16.82	1.87	1.25
1.6	21.97	2.44	1.63
1.8	27.80	3.09	2.07
2.0	34.32	3.81	2.55
2.2	41.53	4.61	3.09
2.4	49.42	5.49	3.68
2.6	58.00	6.44	4.31
2.8	67.27	7.47	5.00
3.0	77.22	8.58	5.74
3.2	87.86	9.76	6.54
3.4	99.19	11.02	7.38
3.6	111.20	12.36	8.27
3.8	123.90	13.77	9.22
4.0	137.29	15.25	10.21
4.2	151.36	16.82	11.26
4.4	166.12	18.46	12.36
4.6	181.56	20.17	13.50
4.8	197.70	21.97	14.70
5.0	214.51	23.83	15.96
5.2	232.02	25.78	17.26
5.4	250.21	27.80	18.61
5.6	269.09	29.90	20.01
5.8	288.65	32.07	21.47
6.0	308.90	34.32	22.98
6.2	329.84	36.65	24.53
6.4	351.46	39.05	26.14
6.6	373.77	41.53	27.80
6.8	396.76	44.08	29.51
7.0	420.45	46.72	31.27
7.2	444.81	49.42	33.09
7.4	469.87	52.21	34.95
7.6	495.61	55.07	36.86
7.8	522.04	58.00	38.83

1. Information for Refrigerant

1.3 Minimum Floor Area for Installation : accordance with IEC06



<I> CAUTIONS

• "Minimum Area for installation" might be different by revision of IEC regulation. "Minimum Area for installation" should be selected in accordance with that revision based on the local and national environment.

- The following information is according to 'IEC 60335-2-40:2018 Edition 6.0'.
- Pipe-work shall be protected from physical damage and shall not be installed in an unventilated space, if that space is smaller than minimum area for installation.
- The unit should be installed, operated and stored in a room with a floor area larger than the minimum area.

Use the below calculation formula to determine the minimum area.

- m_c : Total refrigerant amount in the system = factory refrigerant charge + additional refrigerant amount (kg)
- A_{min} : Minimum Area for installation of unit
- LFL : Lower flammability limit (kg/m³). In case of R32, LFL is 0.307 kg/m³
- h_0 : Height of unit installation

Choose the higher of the two values.

$$A_{min} = [m_c / (2.5 \times LFL^{5/4} \times h_0)]^2 \text{ or } A_{min} = m_c / (0.75 \times LFL \times h_0)$$

* The table below is a reference value, and the exact value is calculated and applied.

m_c (kg)	A_{min}	m_c (kg)	A_{min}	m_c (kg)	A_{min}
< 1.842	No Limit	6.6	27.6	11.6	85.2
1.842	3.6	6.8	29.3	11.8	88.1
2.0	3.9	7.0	31.0	12.0	91.2
2.2	4.3	7.2	32.8	12.2	94.2
2.4	4.7	7.41	34.7	12.4	97.3
2.6	5.1	7.6	36.6	12.6	100.5
2.8	5.5	7.8	38.5	12.8	103.7
3.0	5.9	8.0	40.5	13.0	107.0
3.2	6.5	8.2	42.6	13.2	110.3
3.4	7.3	8.4	44.7	13.4	113.7
3.6	8.2	8.6	46.8	13.6	117.1
3.8	9.1	8.8	49.0	13.8	120.6
4.0	10.1	9.0	51.3	14.0	124.1
4.2	11.2	9.2	53.6	14.2	127.6
4.4	12.3	9.4	55.9	14.4	131.3
4.6	13.4	9.6	58.3	14.6	134.9
4.8	14.6	9.8	60.8	14.8	138.7
5.0	15.8	10.0	63.3	15.0	142.4
5.2	17.1	10.2	65.9	15.2	146.3
5.4	18.5	10.4	68.5	15.4	150.1
5.6	19.9	10.6	71.1	15.6	154.1
5.8	21.3	10.8	73.8	15.8	158.0
6.0	22.8	11.0	76.6	15.964	161.3
6.2	24.3	11.2	79.4		
6.4	25.9	11.4	82.3		

2. Selection of The Best Location

2.1 Best Location

Select space for installing outdoor unit, which will meet the following conditions:

- No direct thermal radiation from other heat sources.
- No possibility of annoying neighbors due to noise of unit.
- No exposition to strong wind.
- Place with strength which bears weight of unit.
- Note that drain flows out of unit when heating mode operation (except for Cooling only model).
- Because of the possibility of fire, do not install unit to the space where generation, inflow, stagnation, and leakage of combustible gas is expected.
- Avoid unit installation in a place where acidic solution and spray (sulfur) are often used.
- Do not use unit under any special environment where oil, steam and sulfuric gas exist.
- It is recommended to fence round the outdoor unit in order to prevent any person or animal from accessing the outdoor unit.
- If installation site is area of heavy snowfall, then the following directions should be observed.
 - Make the foundation as high as possible / Fit a snow protection hood.
- Select installation location considering following conditions to avoid bad condition when performing defrost operation.
 - Install the unit at a place well ventilated and having a lot of sunshine in case of installing the product at a place with a high humidity in winter (near beach, coast, lake, etc).
(Ex) Rooftop where sunshine always shines.
 - Performance of heating will be reduced and pre-heat time of the indoor unit may be lengthened in case of installing the outdoor unit in winter at following location:
 - ▷ Shade position with a narrow space.
 - ▷ Location with much moisture in neighboring floor.
 - ▷ Location with much humidity around.
It is recommended to install the outdoor unit at a place with a lot of sunshine as possible as.
 - ▷ Location where liquid gathers since the floor is not even.
 - ▷ When installing the outdoor unit in a place that is constantly exposed to a strong wind like a coast or on a high story of a building, secure a normal fan operation by using a duct or a wind shield.

■ Cautions corresponding to strong/seasonal wind

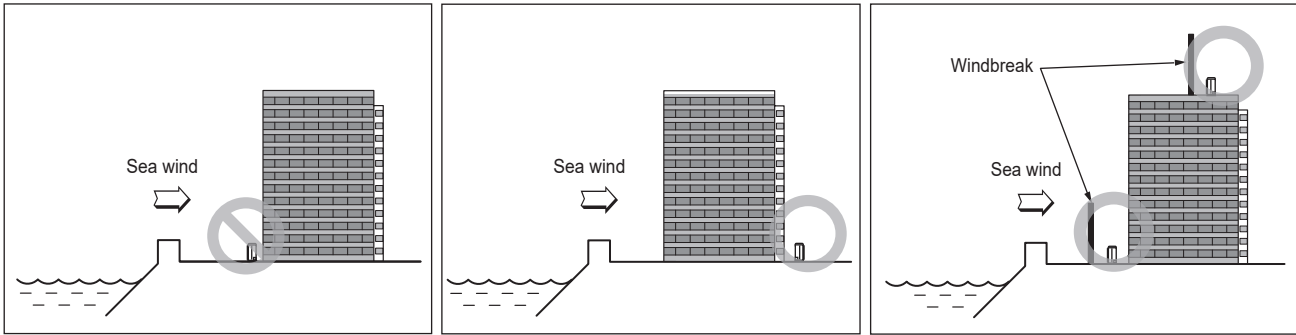
- When the "Outdoor unit of Side Discharge Type" is installed in a place that is constantly exposed to a strong wind like a coast or on a high story of a building, secure a normal fan operation by using a duct or a wind shield.
 - Don't install the suction hole and discharge hole of the Outdoor unit facing the seasonal wind.
 - Install the unit so that its discharge port faces to the wall of the building.
Keep a distance 500mm or more between the unit and the wall surface.
 - Supposing the wind direction during the operation season of the air conditioner, install the unit so that the discharge port is set at right angle to the wind direction.

■ Cautions in winter

- Sufficient measures are required in a snow area or severe cold area in winter so that product can be operated well.
- Get ready for seasonal wind or snow in winter even in other areas.
- Install a suction and discharge duct not to let in snow or rain.
- Install the outdoor unit not to come in contact with snow directly. If snow piles up and freezes on the air suction hole, the system may malfunction. If it is installed at snowy area, attach the hood to the system.
- Where snow accumulated on the upper part of the Outdoor Unit, always remove snow for operation.
- If width of the frame is wider than that of the product, snow may accumulate. So, its width shall not exceed the width of the product.

2. Selection of The Best Location

2.2 Special guide for installation at the Seaside



※ This figure is representative. Actual appearance of outdoor unit may be different by product type.

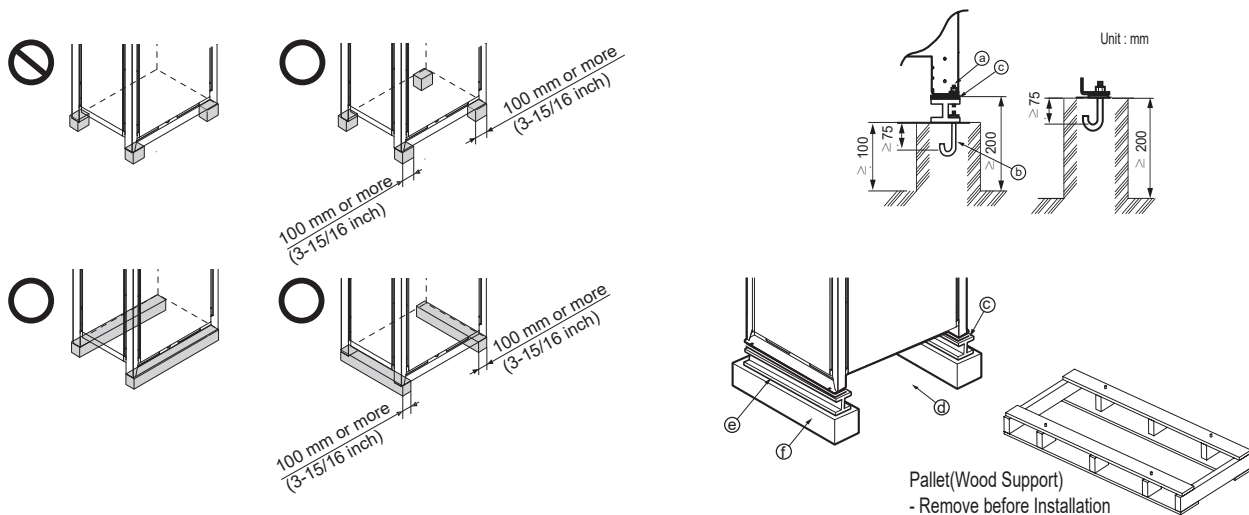
< ! > CAUTIONS

- Air conditioners should not be installed in areas where corrosive gases, such as acid or alkaline gas, are produced.
- Do not install the product where it could be exposed to sea wind (salty wind) directly. It can result corrosion on the product. Corrosion, particularly on the condenser and evaporator fins, could cause product malfunction or inefficient performance.
- If outdoor unit is installed close to the seaside, it should avoid direct exposure to the sea wind. Otherwise it needs additional anticorrosion treatment on the heat exchanger.

■ Selecting the location of Outdoor Units

- If the outdoor unit is to be installed close to the seaside, direct exposure to the sea wind should be avoided.
- Install the outdoor unit on the opposite side of the sea wind direction.
- It should be strong enough like concrete to prevent the sea wind from the sea.
- The height and width should be more than 150% of the outdoor unit.
- It should be kept more than 70 cm of space between outdoor unit and the windbreak for easy air flow.
In case, to install the outdoor unit on the seaside, set up a windbreak not to be exposed to the sea wind.
- Select a well-drained place.
- Periodic (more than once/year) cleaning of the dust or salt particles stuck on the heat exchanger by using water.

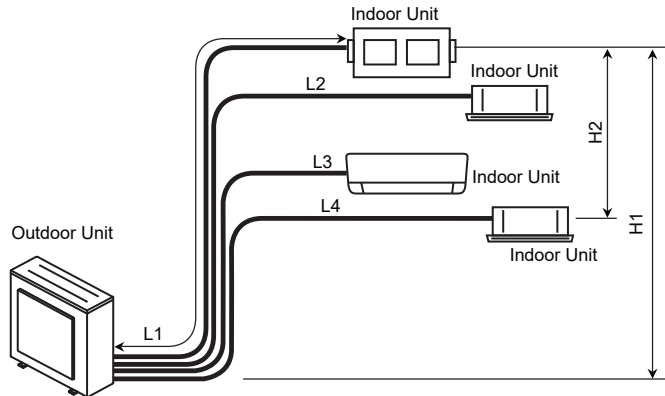
3. Foundation for Installation



- Install where it can sufficiently support the weight of the outdoor unit.
If the support strength is not enough, the outdoor unit may drop and hurt people.
- Install where the outdoor unit may not fall in strong wind or earthquake.
If there is a fault in the supporting conditions, the outdoor unit may fall and hurt people.
- Please take extra cautions on the supporting strength of the ground, water outlet treatment (treatment of the water flowing out of the outdoor unit in operation), and the passages of the pipe and wiring, when making the ground support.
- Do not use tube or pipe for water outlet in the Base pan. Use drainage instead for water outlet.
The tube or pipe may freeze and the water may not be drained.
- Install at places where it can endure the weight and vibration/noise of the outdoor unit.
- The outdoor unit supports at the bottom shall have width of at least 100mm under the unit's legs before being fixed.
- The outdoor unit supports should have minimum height of 200mm.
- Anchor bolts must be inserted at least 75mm.
- Fix the unit tightly with bolts as shown so that unit will not fall down due to earthquake or gust.
 - a. The corner part must be fixed firmly. Otherwise, the support for the installation may be bent.
 - b. Get and use M10 Anchor bolt.
 - c. Noise and vibration may occur from the floor or wall since vibration is transferred through the installation part depending on installation status. Thus, use anti-vibration materials (cushion pad) fully.
(The base pad shall be more than 200mm)
 - d. Space for pipes and wiring (Pipes and wiring for bottom side)
 - e. Use the H-beam support as a base support
 - f. Concrete support
- Be sure to remove the Pallet (Wood Support) of the bottom of the outdoor unit before fixing the bolt or welding.
It may cause the unstable state of the outdoor settlement, and may cause freezing of the heat exchanger resulting in abnormal operations, hazard of fire during welding.

4. Refrigerant Piping System

- This figure is representative. Actual appearance of units may be different by product type, but schematic diagram will stay the same.
- Specific design limit details may differ depending on each model. Refer to the 'Specifications' and 'Combination Table'.
(Maximum piping length, elevation height, combinable number/capacity of indoor unit, type of combinable indoor unit type, etc)
- When the outdoor unit is installed in the higher position than the indoor unit, Oil trap is necessary.



Notes

- L1 ~ L4 (m) : Piping Length (Outdoor Unit ~ Indoor Unit)
- H1 (m) : Height Difference (Outdoor Unit ~ Indoor Unit)
- H2 (m) : Height Difference (Indoor Unit ~ Indoor Unit)

■ Refrigerant additional charge calculation method

• **Additional Refrigerant = $[(L1 + L2 + L3 + L4) - (A \times CF1)] \times a - (CF2 \times 150)$**

- L1~L4 (m) : Installed Piping Length (Outdoor Unit ~ Indoor Unit)
- A (m) : Charge-less piping length
- a (g/m) : Additional charging volume (Outdoor Unit ~ Indoor Unit)
- CF1 : Total number connected indoor unit ÷ Max. number of connectable indoor unit
- CF2 : Max. number of connectable indoor unit Total number connected indoor unit

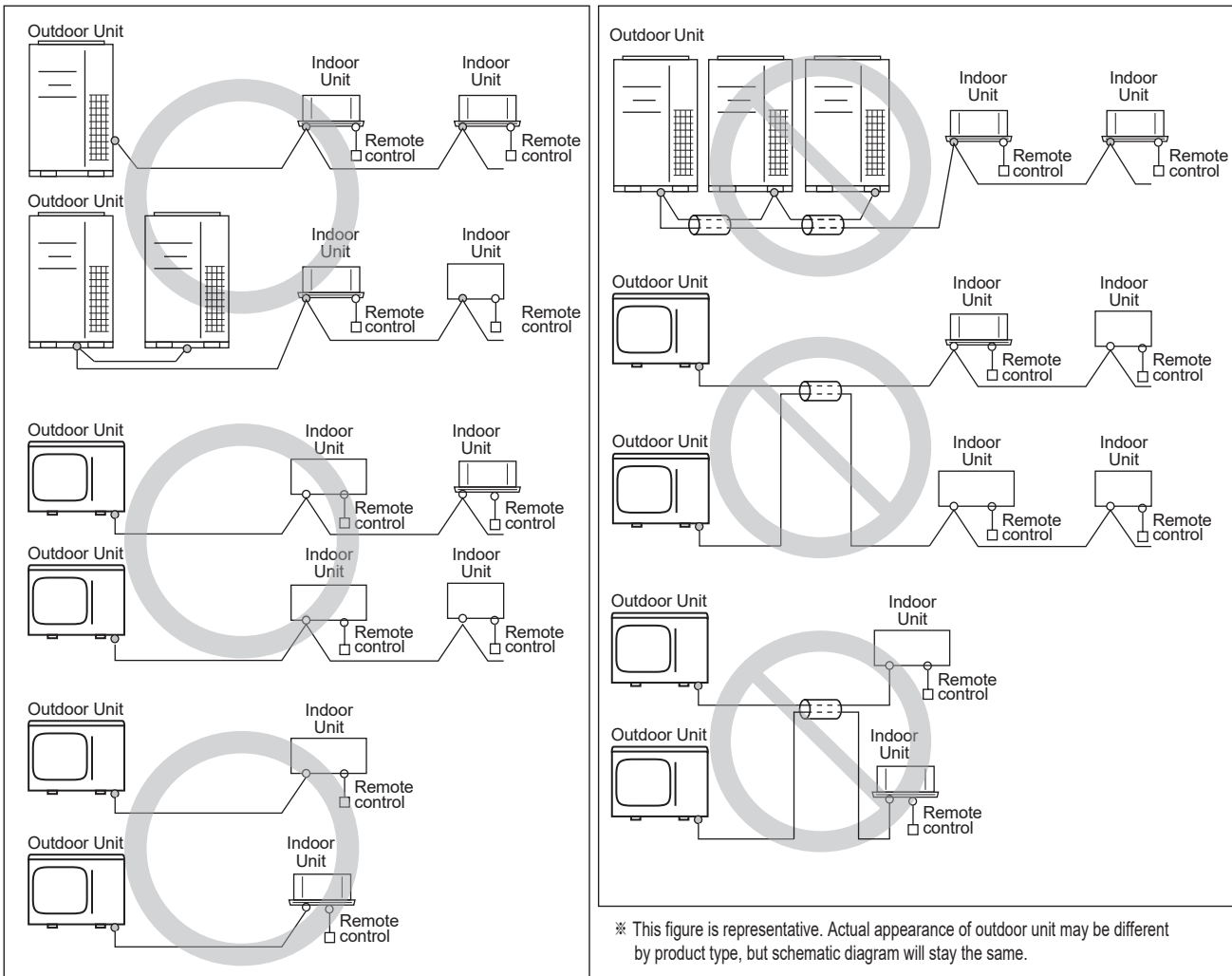
* Refer to the specifications for detail information of A, a.

* If total additional charge value after calculation comes out to be negative, then do not consider additional charge.

< ! > CAUTIONS

- Please check the product type. Piping installation and refrigerant charge varies depending on the type of product. For more information, please refer to the installation manual.
- Capacity is based on standard length and maximum allowance length is on the basis of reliability.
- Improper refrigerant charge may result in abnormal cycle.

5. Electrical Wiring



- Follow ordinance of local regulation for technical standard related to electrical equipment, wiring regulations and guidance of each electric power company.
- Be sure to provide designated grounding work to installed unit.
- Give some allowance to wiring for electrical part box of units, because the box is sometimes removed at the time of service work.
- Only the communication line specified should be connected to the terminal block for unit communication.

< ! > WARNING

- Be sure to have authorized electrical engineers do the electric work using special circuits in accordance with regulations and installation manual. If power supply circuit has a lack of capacity or electric work deficiency, it may cause an electric shock or fire.
- Be sure to connect the installed unit to earth. Do not connect earth line to any gas pipe, liquid pipe, lightning rod or telephone earth line. If earth is incomplete, it may cause an electric shock.

< ! > CAUTIONS

- Product which use 3-phase power source have reversed phase protection detector that only works when the power is turned on. If there exists black out or the power goes on and off which the product is operating, attach a reversed phase protection circuit locally. Running the product in reversed phase may break the compressor and other parts.
- Install the communication line away from the power source wiring so that it is not affected by electric noise from the power source. (Do not run it through the same conduit.) Never use them together with power cables.
- Never use multi-core cable.

If communication lines of different systems are wired with the same multiplecore cable, the resultant poor transmitting and receiving will cause erroneous operations.

5. Electrical Wiring

- The conductive shielding layer of cable should be grounded to the metal part of both units.
- As this unit is equipped with an inverter, to install a phase leading capacitor not only will deteriorate power factor improvement effect, but also may cause capacitor abnormal heating. Therefore, never install a phase leading capacitor.
- Make sure that the power unbalance ratio is not greater than 2%. If it is greater, the unit's lifespan will be reduced.
- Never connect the main power source to terminal block of communication line.
If connected, electrical parts will be burnt out.
- Introducing with a missing "N" phase or with a mistaken "N" phase will break the equipment.
- When the power supply is applied to "N" phase by mistake, replace inverter PCB and transformer in control box.

Communication and Power Lines

- Communication cable
 - Types : shielded cables
 - Use wires of size : over 1.0 ~ 1.5 mm²
 - Maximum allowable temperature of cable : over 60°C (140°F)
 - Maximum allowable line length: under 1,000m
- Remote control cable
 - Types : 3-core cable
- Central control cable
 - Please check the model function table for compatibility with central controller.

Product Type	Wire Type	Diameter
ACP & AC Manager	2-core cables (Shielded)	1.0~1.5mm ²
AC Smart	2-core cables (Shielded)	1.0~1.5mm ²
Simple central controller	4-core cables (Shielded)	1.0~1.5mm ²
AC Ez	4-core cables (Shielded)	1.0~1.5mm ²

- Separation of communication and power lines
 - If communication and power lines are installed alongside each other then there is a strong likelihood of operational faults developing due to interference in the signal wiring caused by electrostatic and electromagnetic coupling.
The tables below indicates our recommendation as to appropriate spacing of communication and power lines where these are to be run side by side.

Current capacity of power line		Spacing
100V or more	10 A	300 mm
	50 A	500 mm
	100 A	1,000 mm
	Exceed 100 A	1,500 mm

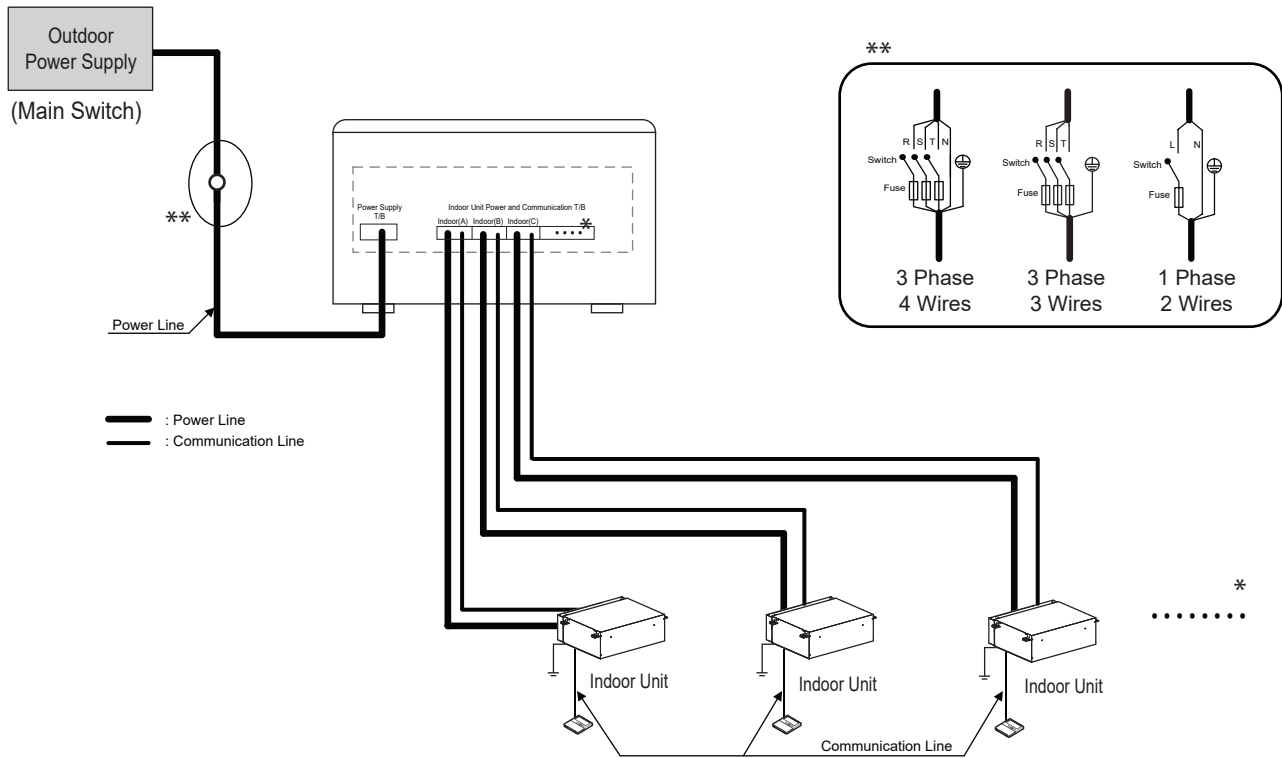
- The figures are based on assumed length of parallel cabling up to 100m. For length in excess of 100m the figures will have to be recalculated in direct proportion to the additional length of line involved.
- If the power supply waveform continues to exhibit some distortion the recommended spacing in the table should be increased.
 - ▷ If the lines are laid inside conduits then the following point must also be taken into account when grouping various lines together for introduction into the conduits
 - ▷ Power lines(including power supply to air conditioner) and signal lines must not be laid inside the same
 - ▷ In the same way, when grouping the lines power and signal lines should not be bunched together.

< ! > CAUTIONS

- If apparatus is not properly earthed then there is always a risk of electric shock, the grounding of the apparatus must be carried out by a qualified person.

6. Field Wiring

!! This System is representative Example.
 !! * : Actual combination of indoor units and BD units may be different by Product line-up of region or Product Type.



■ Wiring of Main Power Supply

- Bear in mind ambient conditions (ambient temperature, direct sunlight, rain liquid, etc.) when proceeding with the wiring and connections
- The wire size is the minimum value for metal conduit wiring. The power cord size should be 1 rank thicker taking into account the line voltage drops. Make sure the power-supply voltage does not drop more than 10%.
- Specific wiring requirements should adhere to the wiring regulations of the region.
- Power supply cords of parts of appliances for outdoor use should not be lighter than polychloroprene sheathed flexible cord (design 60245 IEC57).
- Don't install an individual switch or electrical outlet to disconnect each of indoor unit separately from the power supply.

< ! > WARNING

- Make sure to use specified wires for connections so that no external force is imparted to terminal connections.
 If connections are not fixed firmly, it may cause heating or fire.
- Make sure to use the appropriate type of overcurrent protection switch. Note that generated overcurrent may include some amount of direct current.
- All Installation site must require attachment of an earth leakage breaker.
 If no earth leakage breaker is installed, it may cause an electric shock.
- Do not use anything other than breaker and fuse with correct capacity. Using fuse and wire or copper wire with too large capacity may cause a malfunction of unit or fire.



Air Solution

LG Electronics Inc, 128, Yeoui-daero,
Yeongdeungpo-gu, Seoul, Korea
(07336)

<http://partner.lge.com>

<http://sedc.lge.com>

Copyright 2024 LG Electronics Inc.
All Rights Reserved.

The air conditioners manufactured by LG have received ISO9001 certificate for quality assurance and ISO14001 certificate for environmental management system.
The specifications, designs, and information in this brochure are subject to change without notice.