





*All images shown are for illustrative purposes only.


Interactive Digital Board TR3DK Series


A New Level of Classroom with **LG CreateBoard**



 Genuine Touch & Writing Experience

 User Friendly Experience

 Easy Connection & Sharing

 Remote-control Services

 Security & Compatibility

TR3DK Series

Display	Size	248.92 cm (98), 218.44 cm (86), 190.5 cm (75), 165.1 cm (65), 139.7 cm (55)
	Native Resolution	3,840 × 2,160 (UHD)
	Brightness	440 nits (Max.)
Touch	Multi-Touch Point	Max. 40 Points
Connectivity	Input	HDMI (3, HDCP2.2), RGB (1, VGA), Audio (1), RS-232C (1), RJ45 (1, LAN), USB3.0 Type A (4), USB2.0 Type A (1), USB Type-C (1, USB-PD, DP-Alt)
	Output	HDMI (1), Audio Out (1, Optical 1(SPDIFF)), Touch USB (2), RJ45 (1, LAN)

CREATIVE WHITEBOARD SOLUTION



Various Teaching Templates

LG CreateBoard offers a variety of educational templates and teaching tools such as a ruler, table, and sticky notes, allowing for active engagement by students and enabling intuitive classes. Editing images and videos becomes easy with LG CreateBoard, and created resources can be easily shared with others through QR codes.

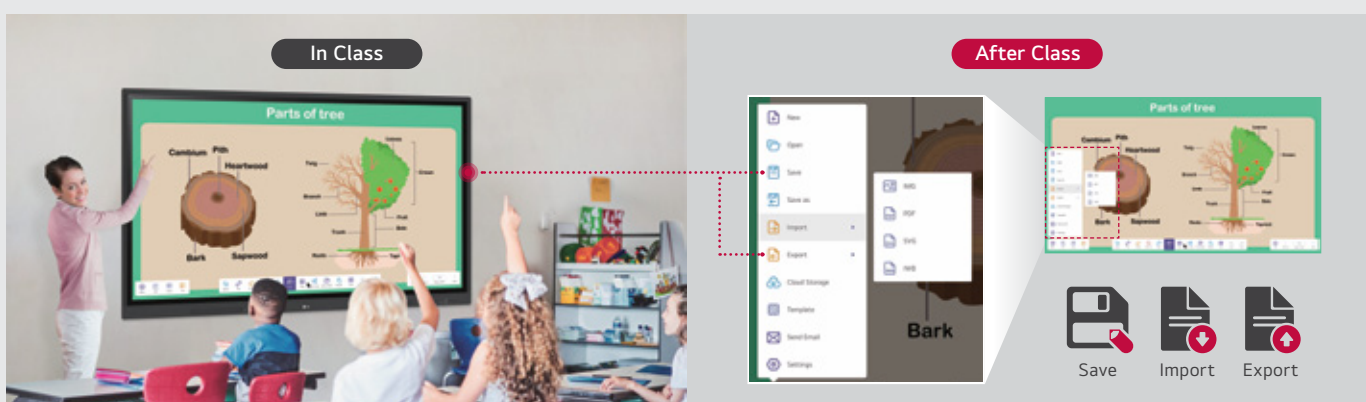


Multi-touch

LG CreateBoard can simultaneously detect up to 40 points for multi-touch functionality. This creates a lifelike board touch experience, helping students easily become accustomed and truly engage in classes. This leads to the maximum concentration and organic engagement of students.

* A max of 32 points are recognized in the Android environment, and a max of 40 points are detected in the Windows environment.

* Up to 10 points can be recognized in the writing app.

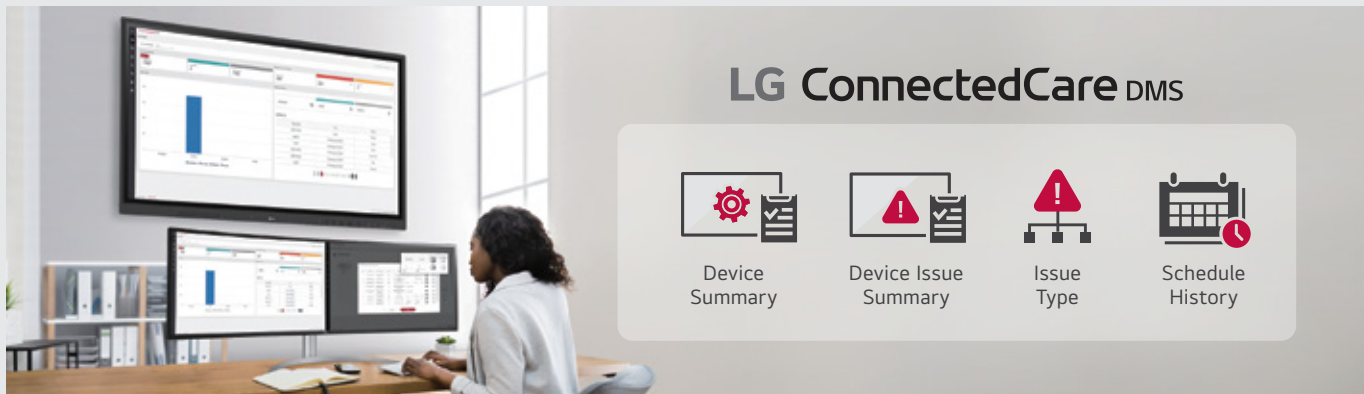


Easy to Save / Import / Export

LG CreateBoard includes simple import and export functionality. Resources can be saved and imported directly to and from Google Drive or OneDrive, and files can be imported from a USB drive (Users can browse resources saved on USB storage).

*All images shown are for illustrative purposes only.

REMOTE MANAGEMENT SOLUTION



LG ConnectedCare DMS

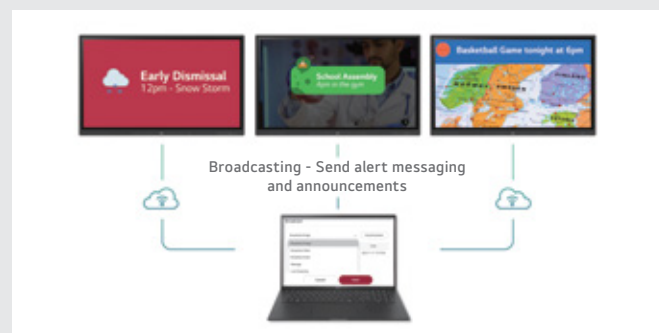
LG ConnectedCare DMS is a cloud solution for remotely monitoring, controlling, and managing the status of LG CreateBoard installed in educational environments. This feature enables IT managers to operate and manage important resources on operating devices without physically visiting sites.

- * 'LG ConnectedCare DMS' needs to be purchased separately.
- * The availability of the 'LG ConnectedCare DMS' service differs by region, so please contact the LG sales representative in your region for more details.
- * LG ConnectedCare DMS supports the TR3DJ/TR3PJ/TR3DK Series as of now (plus more to come) under a cloud environment.



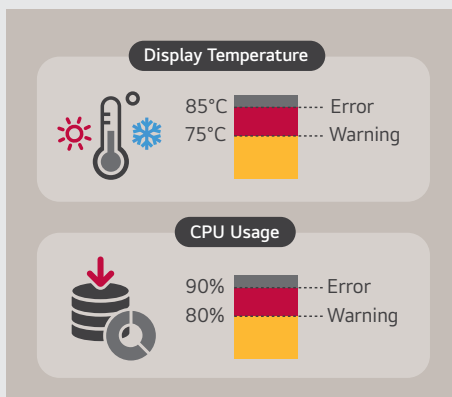
Remote-control / Scheduling

Frequently used controls such as the power on/off, scheduling, brightness, and screen lock functions can be applied using a remote control.



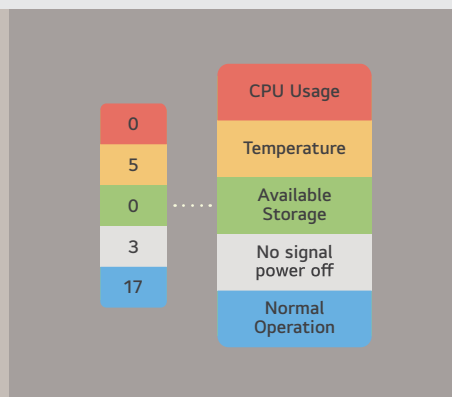
Broadcasting / Alert Messaging

Messages and a range of other content can be sent from the main system to individual classroom devices connected to LG ConnectedCare DMS. In case of urgent occasions such as a fire or a natural disaster, alert messages can be distributed manually across the system, which help teachers and students promptly take safety action.



Threshold Settings

Users can set thresholds in eight categories including display temperature, memory usage, or signal, and can receive warning or error notifications based on their threshold settings.



Monitoring & Fault Diagnosis

An engineer can check the status in real-time and diagnose problems remotely. Also, the current status of issues can be categorized, allowing for easy viewing and quick responses.

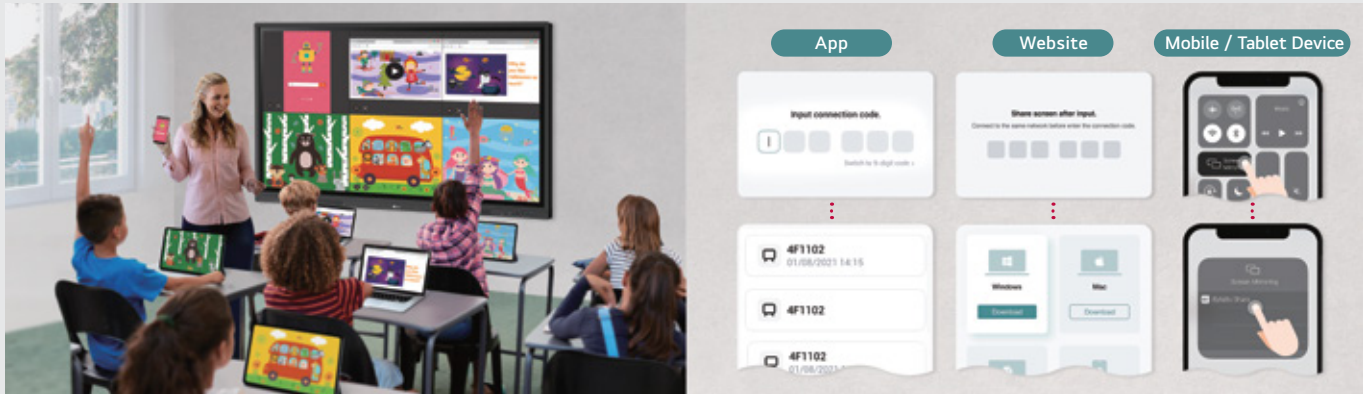


Issue Management

Remote issue management can be carried out by the LG ConnectedCare DMS solution. This makes management safer and more efficient, facilitating the stable operation of the classroom.

*All images shown are for illustrative purposes only.

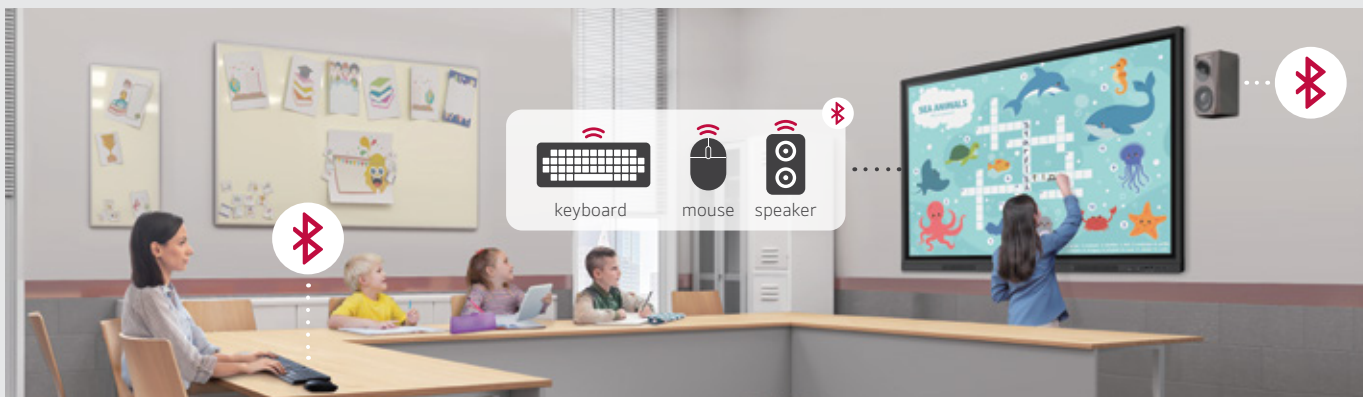
EASY CONNECTION & SHARING



Wireless ScreenShare

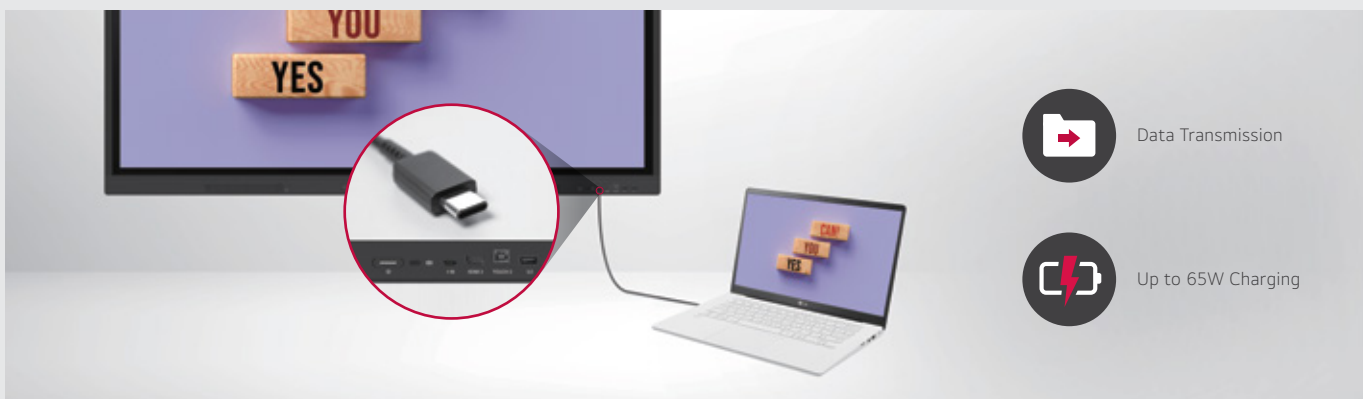
LG CreateBoard Share enables users to show up to 9 shared screens or a file on a screen in real-time when the LG CreateBoard Share app is installed on the device. Also, files from the host can be easily sent to any devices connected to the LG CreateBoard Share app, and several quick controls by the host are available.

- * LG CreateBoard also supports app-less sharing for PC (via website) and mobile devices within the same network.
- * For a more stable connection, we recommend the installation of a dedicated app (LG CreateBoard Share).



Bluetooth Connectivity

LG CreateBoard supports wireless Bluetooth connections to various devices such as a speaker, mouse, keyboard, etc. This is optimal for building a hybrid environment so that online and offline classes can proceed smoothly.

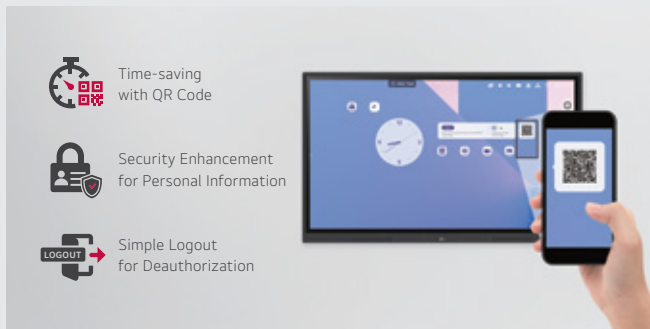


C-type Connection

USB-C connectivity simplifies connections which enables charging and sending data simultaneously over just one single cable.

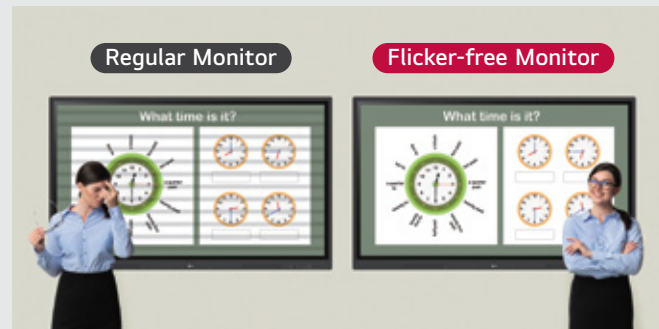
- * USB Type-C cables are sold separately.

OTHER FEATURES



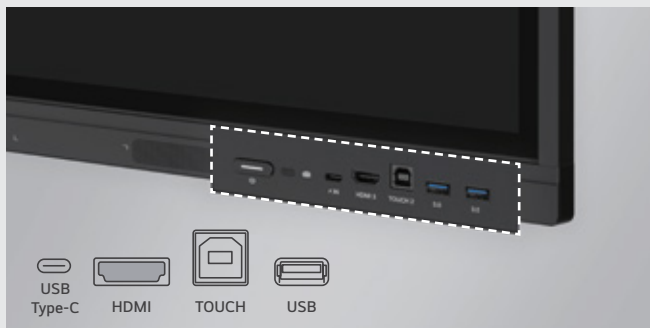
QR Login for Easy Cloud Access

The QR code on the home screen reduces preparation time for class by enabling personal device verification. Users can sign up for a variety of apps on the LG CreateBoard including Google Drive and OneDrive with just one QR verification without any additional login process. Once a lesson is finished, users can simply click the Logout button to disconnect, thus the risk of a personal information leak is reduced.



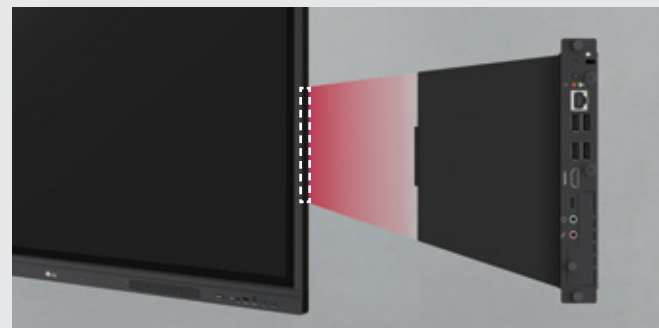
Advanced Eye-Care

LG CreateBoard has introduced a flicker-free function. With the reduced flickering of the monitor's backlight, users can use the device with more comfort even when using it for a long time.



Front Connectivity Design

LG CreateBoard features front display ports and speakers which are ideal for both teachers and students, enabling content to be delivered easier with more immersive sound.



Built-in OPS Slot

LG CreateBoard supports OPS slots, allowing you to easily and conveniently mount OPS desktop at the back of the LG CreateBoard without the hassle of connecting to an external desktop, offering you more expanded functions.

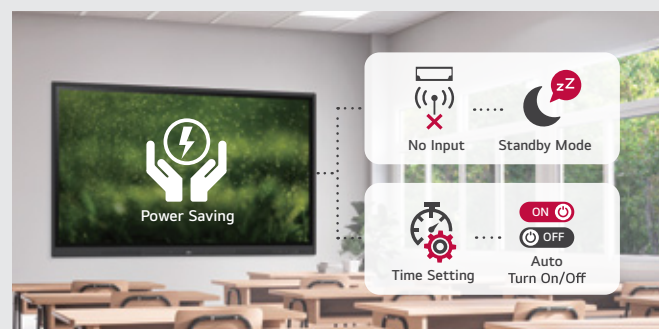
* OPS : Open Pluggable Specification



Smart Viewing

The Smart Viewing feature of LG CreateBoard enables efficient teaching. Two or more materials can be displayed on the same screen simultaneously without having to repeat Alt-tab, making teaching more convenient and efficient. Two materials can be displayed side by side (multi window mode), or one material can be overlaid on the other one (picture-in-picture mode).

* Multi window mode may not work for some apps.
* PIP mode is available for the external source screen.



Power Saving

When a device doesn't receive an external input signal for a specific amount of time set by the user, the device goes into standby mode. Devices can also be automatically turned on or off at specific time or day set by the user, which contributes to save energy.

*All images shown are for illustrative purposes only.

OTHER FEATURES

SECURE FUNCTION



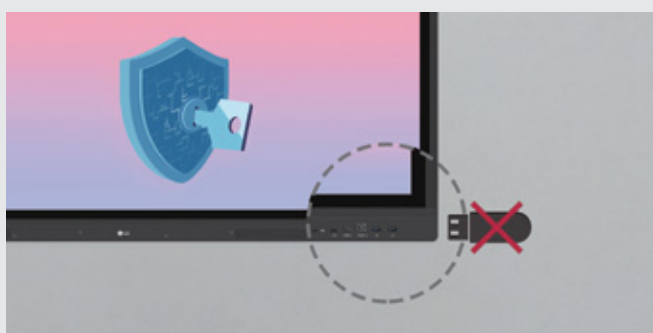
Screen Lock

Teachers can lock the screen using the Screen Lock function, and unlock it by entering a password. Users can set the Screen Lock in the Settings menu to protect the device from unidentified users.



Secure Mode

LG CreateBoard supports Secure Mode that disables the LG CreateBoard Share function to prevent unauthorized content from being shown on various devices.



USB Lock Mode

USB Lock Mode is a security measure that helps prevent data from being copied to unauthorized devices, which is essential when being used in spaces where security is critical.



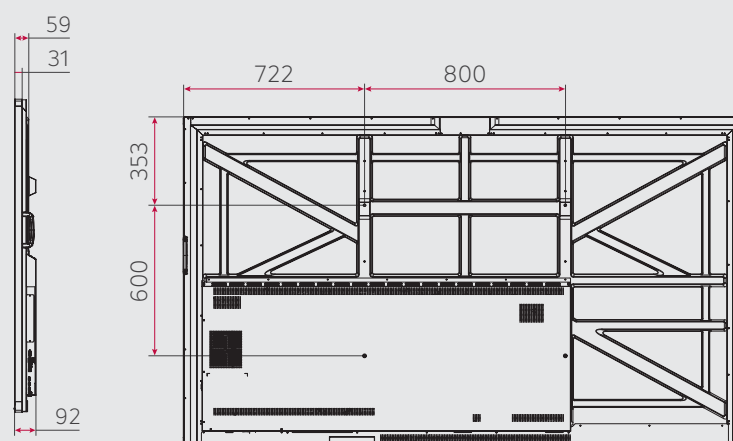
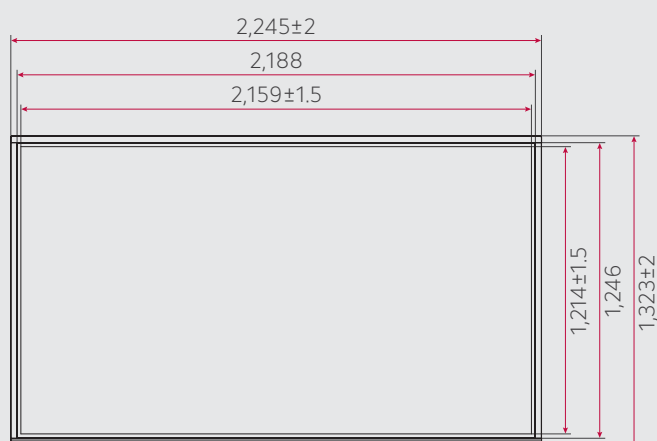
Auto-remove Files

Users can set LG CreateBoard to delete files regularly for enhanced security.

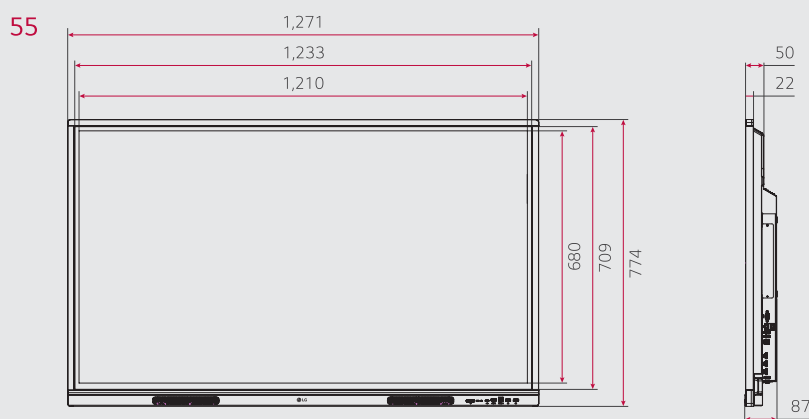
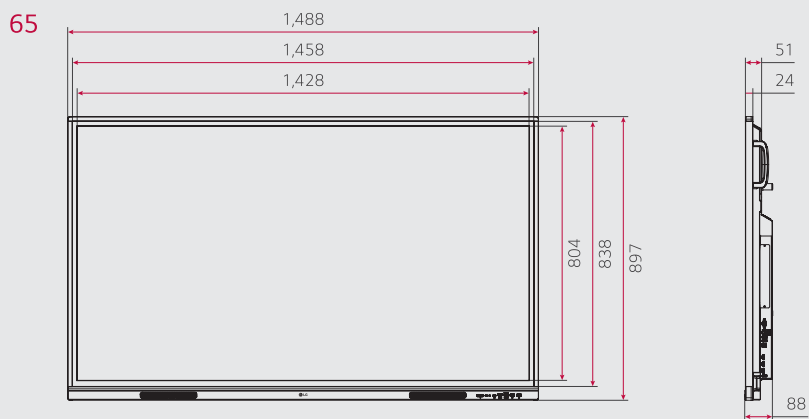
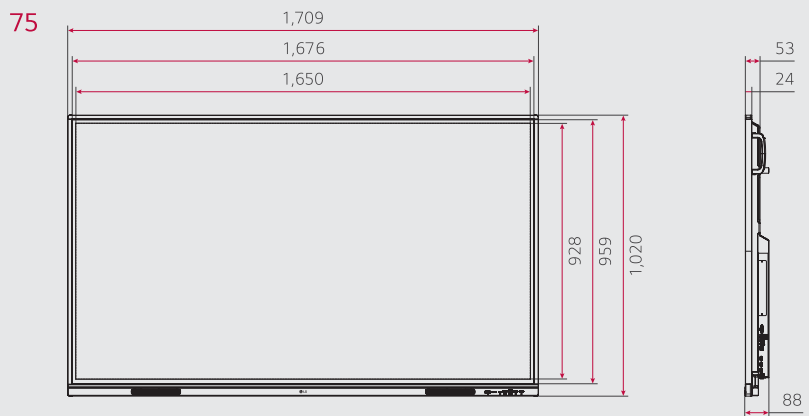
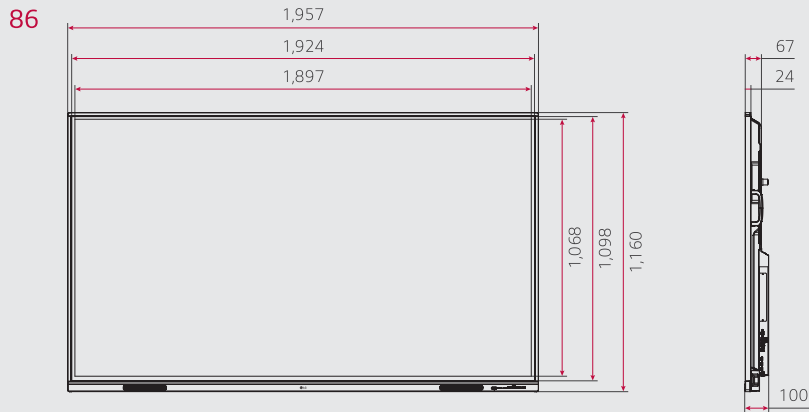
*All images shown are for illustrative purposes only.

DIMENSION (unit: mm)

98



DIMENSION (unit: mm)



* Dimensions may differ from the above image, so please contact LG sales team to verify before ordering.

SPECIFICATION

Model Name		98TR3DK	86TR3DK	75TR3DK	65TR3DK	55TR3DK	
Panel	Screen Size	248.92 cm (98)	218.44 cm (86)	190.5 cm (75)	165.1 cm (65)	139.7 cm (55)	
	Panel Technology	IPS					
	Back Light Type	Direct					
	Aspect Ratio	16:9					
	Native Resolution	3840 x 2160 (UHD)					
	Refresh Rate	60 Hz					
	Brightness	440 nits					
	Contrast Ratio	1200:1					
	Dynamic CR	3000:1					
	Color gamut	NTSC 72%	NTSC 68%	NTSC 72%			
	Viewing Angle (H x V)	178° (H/V)					
	Color Depth	1.07B (10 bit)					
	Response Time	8 ms					
	Surface Treatment (Haze)	Haze 25%	Haze 28%	Haze 25%			
	Lifetime	50,000 hrs (L30)					
Operation Hours (Hours/Day)	16/7						
Connectivity (Jack Interface)	Input	Digital	HDMI				
		Analog	RGB				
		Audio In	Yes (1, VGA)				
		RS232C IN	Yes (1)				
		RJ45 (LAN)	Yes (1)				
	Output	USB	USB3.0 Type A(4), USB2.0 Type A(1), USB Type-C (1, USB-PD, DP-Alt)				
		Display Out	HDMI Out (1)				
		Audio Out	(1, Optical 1 (SPDIF))				
		Touch USB	Yes (2)				
		RJ45 (LAN)	Yes (1)				
Mechanical Specification	Bezel Color	Black					
	Bezel Width	T/R/L/B : 0/27/27/45 mm	T/R/L/B : 15/15/15/44 mm	T/R/L/B : 15/15/15/44 mm	T/R/L/B : 15/15/15/44 mm	T/R/L/B : 18/18/18/45 mm	
	Weight (Head)	103.6 Kg	58.6 Kg	47.3 Kg	35.0 Kg	26.1 Kg	
	Packed Weight	126.5 Kg	75.9 Kg	60.6 Kg	44.7 Kg	34.5 Kg	
	Monitor Dimension (W x H x D)	2244 x 1323 x 91 mm	1957 x 1160 x 100 mm	1709 x 1020 x 88 mm	1488.4 x 896.6 x 87.2 mm	1271 x 774 x 87 mm	
	Carton Dimensions (W x H x D) (Box outer size)	2406 x 280 x 1474 mm	2110 x 1283 x 225 mm	1863 x 1140 x 225 mm	1628 x 1005 x 208 mm	1401 x 859 x 220 mm	
	Handle	Yes					
	VESA™ Standard Mount Interface	800 x 600 mm			600 x 400 mm	400 x 200 mm	
	Key Feature	HW	Wi-Fi	Built-in			
			Sensor	Auto Brightness sensor			
Power Indicator			Yes				
SW		webOS ver.	Android 13.0 (EDLA)	Android 13.0 (EDLA)	Android 11.0	Android 11.0	Android 13.0 (EDLA)
		Background Image	Bootling Logo Image				
		Multi-screen	PIP	Yes (1 external source)			
			PBP	Yes (1 external source)			
		Screen Share	LG CreateBoard Share				
		Power	Smart Energy Saving	Energy Saving			
			Wake on LAN	Yes			
Environment Conditions	Operation Temperature	0 ~ 40 °C					
	Operation Humidity	10 ~ 90 % RH					
Power	Power Supply	100-240 V- 50/60 Hz					
	Power Type	Built-In Power					
Power Consumption	Typ.	460 W	385 W	225 W	220 W	170 W	
	Max.	630 W	580 W	430 W	420 W	395 W	
	BTU (British Thermal Unit)	1348 BTU/Hr (Typ.), 2081 BTU/Hr (Max)	1314 BTU/Hr (Typ.), 1979 BTU/Hr (Max)	768 BTU/Hr (Typ.), 1467 BTU/Hr (Max)	751 BTU/Hr (Typ.), 1433 BTU/Hr (Max)	580 BTU/Hr (Typ.), 1348 BTU/Hr (Max)	
	DPM	≤0.5 W					
	Power off	≤0.5 W					
Sound	Speaker	15 W x 2					
Certification	Safety	CB / NRTL					
	EMC	FCC Class "A" / CE / KC					
OPS Compatibility	OPS type compatible	Slot type					
	OPS Power built in	Yes					
Software Compatibility	LG ConnectedCare	Yes					
	LG ConnectedCare DMS	DMS (Paid License)					
Language	OSD	English, Denmark, Finnish, German, Korean, Norwegian, Polski, Portugues (Europe), Portugues (Brazil), Romanian, Spanish, Swedish, Hungarian, Thai					
Accessory	Basic	Power Cord 3 M*1, USB Cable (Type A-Type B) 5 M*1, HDMI Cable 3 M*1, Writing Pen*2pcs, User Manual, QSG, Remote Controller (include battery 2ea), Wifi module					
Touch	Reponse Time	≤5 ms					
	Accuracy	±1 mm					
	Interface	USB 2.0					
	Protection Glass Thickness	Toughened glass with 9H level 7 Mohs standard					
	Operating System Support	Windows 7/8/10/Linux/Mac/Android (Linux/Mac Support one point touch)					
Multi touch point	Max 40 points						
Android System	SoC	Quad core A55					
	GPU	Mali G52MP2					
	Internal Memory	Storage	64 GB	64 GB	32 GB	32 GB	64 GB
		RAM	8 GB	8 GB	4 GB	4 GB	8 GB
	Wi-Fi	802.11a/b/g/n/ac/ax (WiFi 6)					
	LAN	Gigabit LAN					
Bluetooth	Bluetooth 5.0						

Creative Visualization

*Product images shown are for representation purpose only. Actual product may vary

As a continuing policy of product development at LG Electronics, the design and specifications are subject to change. They may vary from model to model. Colour/shades may vary due to printing restrictions. E&OE.



LG B2B CUSTOMER CARE
 1800-180-9898 (Toll Free)
 5757554 (Send SMS)
www.lg.com/in/support

LG Service India Mobile App Available at Google Play

www.facebook.com/lgindiapage/
www.twitter.com/LGIndia

To know more about LG, visit www.lg.com/in/business
 For B2B Solutions/Product enquiries, please write to b2b.solutions@lge.com
 For B2B Service, please write to b2bsupport.india@lge.com

