

# 2023 LG Smart Inverter SINGLE COMMERCIAL AIR CONDITIONER F



## LG ELECTRONICS VIETNAM

**Hanoi** 35F, Keangnam Landmark 72, Pham Hung str, Nam Tu Liem Dist. – Tel: 024 3934 5151  
**Hochiminh** 10F, Sofic Building, 10 Mai Chi Tho str., Thu Thiem ward, Thu Duc – Tel: 028 3925 6886  
**Danang** 9F, Indochina Building, 74 Bach Dang str. – Tel: 0236 3691 307  
**Nhatrang** 7F, Nha Trang Building, 42 Le Thanh Phuong str. – Tel: 0258 3813 468  
**Halong** Shophouse, Lot D2 -06, Ha Long Marine Plaza, Bai Chay - Tel: 02033900369  
**Hotline** 18001503

[www.lg.com/vn/business](http://www.lg.com/vn/business) | [www.lghvac.vn](http://www.lghvac.vn) | [www.partner.lge.com](http://www.partner.lge.com)

ĐIỀU HÒA TRUNG TÂM LG LG Vietnam

\* Note  
- This product uses inverter technology, so it can generate harmonics. If local law or the Investor requires harmonic suppression at the construction site, please coordinate with the electrical design unit to take measures to suppress harmonics. Contact your supplier for more detailed information on the electrical characteristics of LG air conditioners.  
- For continual product development, LG reserves the right to change specifications or designs without notice








---

**06 LINE UP** 04

---

**07 FEATURE OVERVIEW** 05

---

**08 LG BENEFITS**

- ENVIRONMENT FRIENDLY 06
- EFFICIENT OPERATION 07
- ENERGY SAVING 08
- RELIABILITY 09
- CONVENIENT CONTROL 11

---

**18 PRODUCT FEATURE & SPECIFICATION**

- FLOOR STANDING 14
- CEILING MOUNTED CASSETTE 4 WAY 26
- CEILING MOUNTED CASSETTE 1 WAY 36
- ROUND CASSETTE 42
- CEILING CONCEALED DUCT 50
- OUTDOOR UNIT DIMENSIONS 62

STANDARD INVERTER

STANDARD INVERTER									
kBTu/h	Refrigerant	Ceiling Cassette			Floor Standing	Ceiling Concealed Duct		ODU	
		4 Way	1 Way	Round		Low Static	Mid Static	1 Phase	3 Phase
9	R32								
12	R32								
18	R32								
24	R32								
30	R32								
36	R32								
47	R32								
98	R410A								
160	R410A								
200	R410A								

※ Please refer to the specification pages for detail Indoor-Outdoor combination information.

● Available ○ Refer to description × Not available

TYPE	Outdoor Unit	STANDARD			
		ZUAA1 (1Ø)	ZUAB1 (1Ø)	ZUAC1 (1Ø)	ZUAD1 (1Ø) ZUAD3 (3Ø)
Energy Efficiency	BLDC Comp & Fan Motor	●	●	●	●
	Power Saving Start up	●	●	●	●
	Peak Current Control	×	×	●	●
	Mode Lock	×	×	●	●
Comfort Environment	Comfort Cooling with Humidity sensor*	○	○	○	○
	Night Silent Operation	×	×	●	●
	Continuous Cooling Operation	●	●	●	●
High Performance & Reliability	Twin Rotary Compressor	●	●	●	●
	Gold Fin Heat Exchanger	●	●	●	●
	Long Pipe installation	●	●	●	●
Convenient Control System	ThinQ**	●	●	●	●
	Easy Control (PI-485 Connection)	×	●	●	●
	Mobile LG MV	●	●	●	●
	Weekly Program***	○	○	○	○

\* Need wired remote controller PREMTB100 / PREMTBB10 (Not available for Floor standing indoor unit)

\*\* Available with LG Wi-Fi modem and it should be connected to the indoor unit. (Contact sales office for detail)

\*\*\* Weekly program is available with wired remote controller.



## Green Refrigerant

R32 is environment friendly and classified as a highly efficient 'Go Green' refrigerant.



### Reducing Global Warming & Ozone Layer Depletion

The quantity of R32 refrigerant used is appreciably low as compared to the R410A refrigerant. Consequently, this results in decreasing the potential of Global warming and minimal depletion of the ozone layer. Comparative case studies of the different refrigerants are indicated in the table as below.

	R410A	R32
Composition	Blend of R32 50% + R125 50%	Pure R32 (No blend)
GWP (Global Warming Potential)	2087.5	675

## Improved BLDC Dual Inverter Compressor

Product safety and Durability are assisted by advanced BLDC Dual Inverter compressor.



### Parts of Dual Inverter Compressor Have Been Improved to Assure a Longer Lifespan.

#### Flow Optimization

Reduced oil inflow by increasing the length of oil discharge pipe, which keeps enough oil inside the compressor to prevent compressor abrasion.

#### Suction Optimization

Reduced suction loss and improving oil collection through the optimization of suction path.

#### Surface Coating

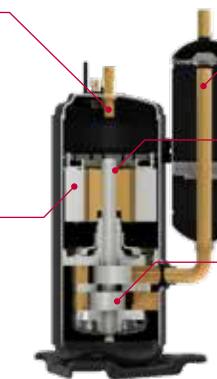
Surface coating of outstanding abrasion resistance property on vane and crank shaft.

#### Concentrated Winding Motor

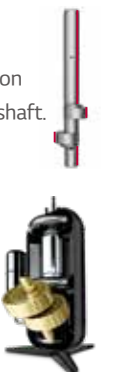
Oil path area is improved by over 50% by increasing the extra stator cavity. Due to this, caloric value of motor is reduced, improving the cooling function of stator coil.

#### Twin Rotary Rotor

Upper and lower part rotor offset imbalance in shaft rotor rotation. Vibration and noise are reduced. Max torque load decreased by 45% compared to single rotor.



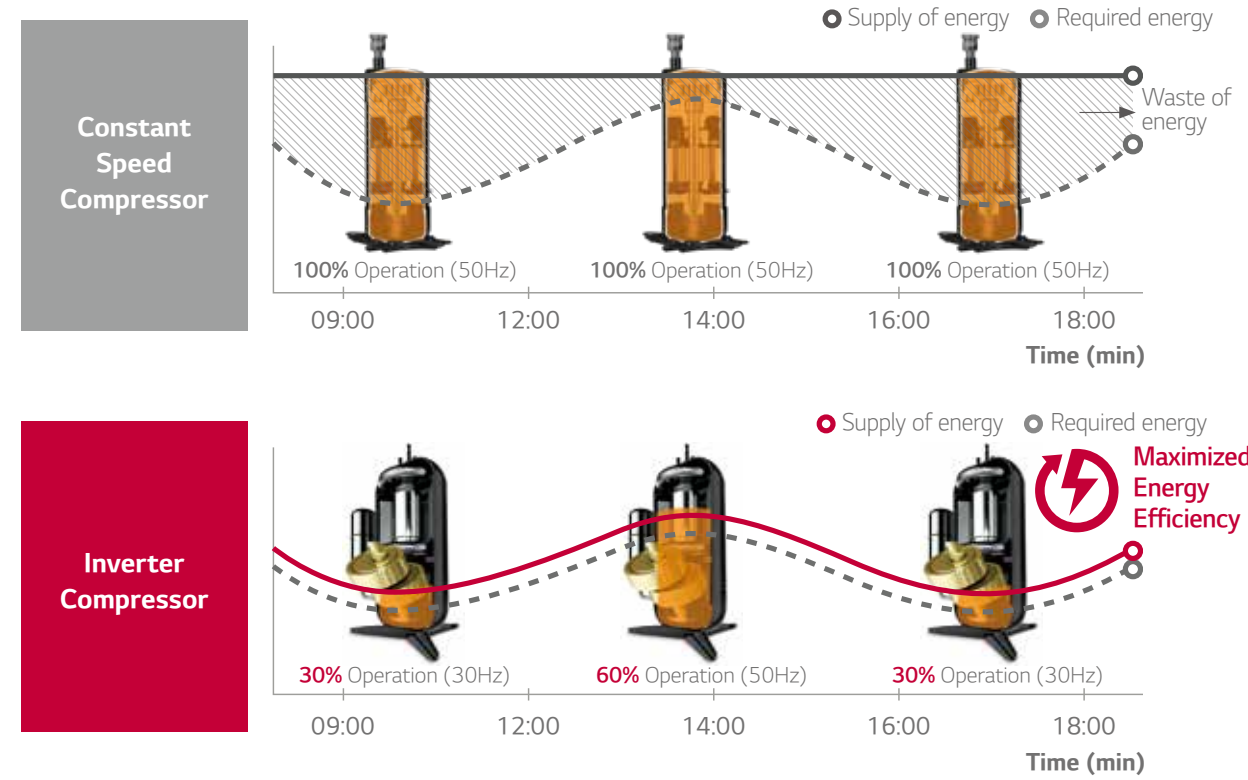
Dual Inverter Compressor





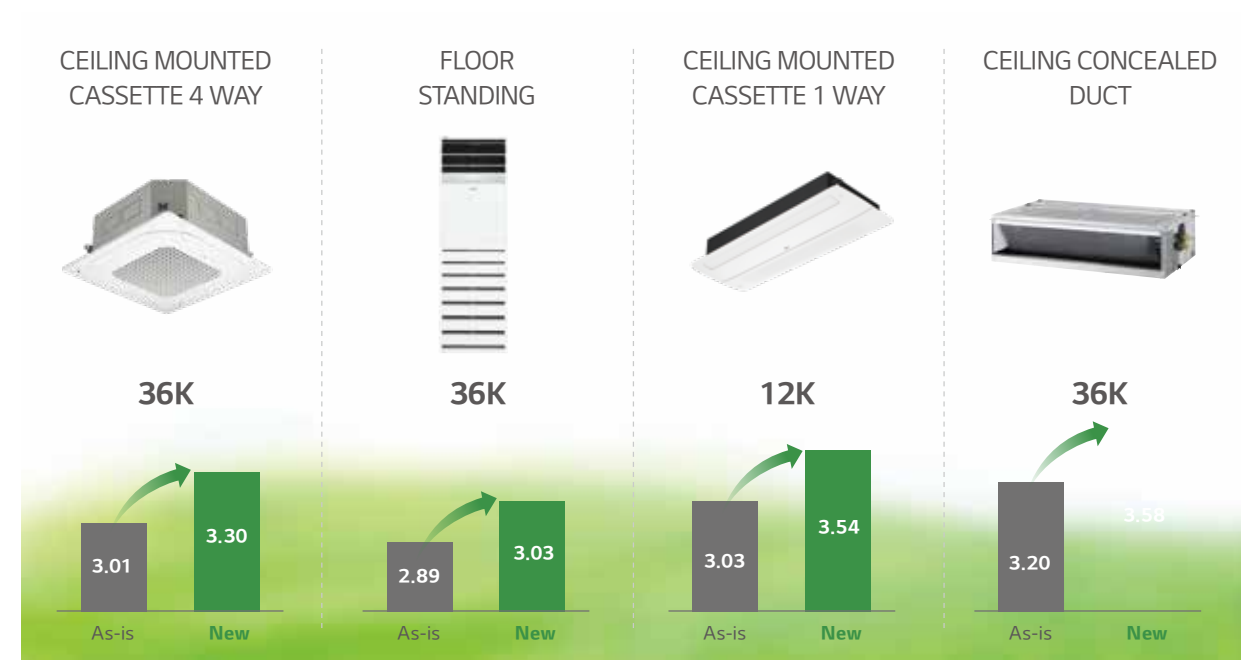
## Constant-speed Compressor vs. Inverter Compressor

The compressor cleverly adjusts output according to its surroundings, bringing a number of benefits including world-class energy efficiency, improved comfort and sustained reliability.



## Smart Inverter

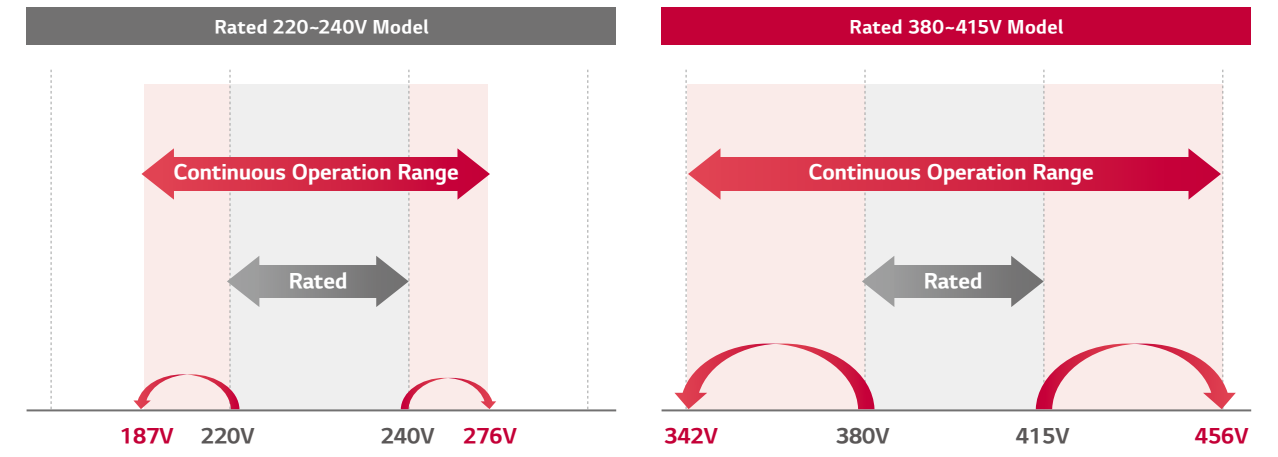
With LG's own cutting-edge inverter technology, high level EER can be achieved.



※ The EER level varies depending on the capacity (kW) of each product  
 ※ EER (Cooling) calculation = Rated Cooling capacity (w) / Rated input power (w)

## Power Cooling at the Wide Voltage Range

LG Smart inverter is able to operate at a wider voltage range than constant speed model.



※ Based on LG internal test, result may vary depending on surrounding condition.

## Voltage Protection

LG circuit design can minimize the damage from surge, high & low voltage risk.



## Wide Operation Range (Outdoor temperature)

Product can be operated as low as -15°C to as high as 50°C outdoor temperature.



※ Operation range is varies by product type and capacity, please check specification for detail information.

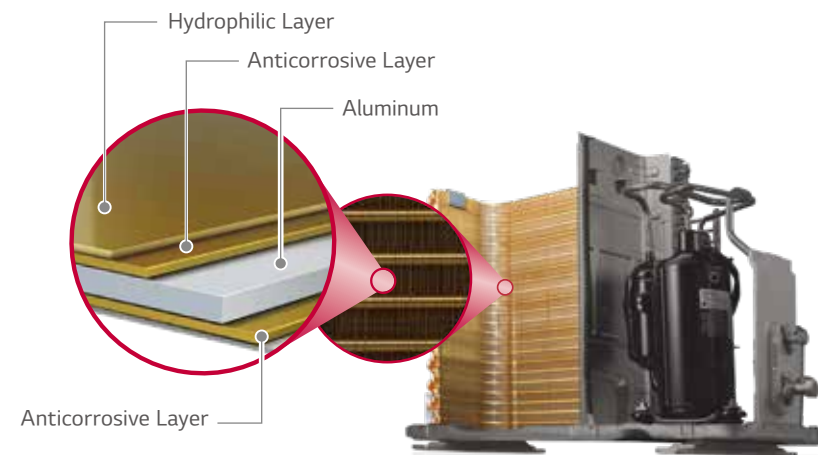
## Gold Fin™

The Gold Fin™ coating protects the surface of the heat exchanger from corrosion and helps to extend lifespan of product.

### How It Works

#### Corrosion-resistant Protective Layer

The gold-colored special coating on the fin of the heat exchanger prevents corrosion, extending the life of the unit.



### Test Result

Conventional Fin



Gold Fin™



\* Test result 360 hrs. after being exposed to sodium chloride.

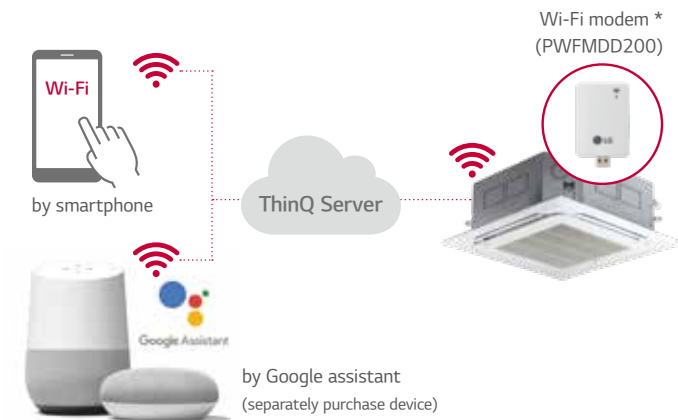
## Wi-Fi Remote Control

Control your air conditioners using the smart devices as Android or iOS based smartphones and voice commands via Google assistant.



### Access your air conditioner anytime and from anywhere

Operation under the revised weather conditions before changing conditions impact indoor comfort.



### Simple operation for various functions

- On / Off \*\*
- Mode Selection \*\*
- Current temperature \*\*
- Set temperature \*\*
- Set fan speed \*\*
- Vane Control
- Reservation
- Filter Management
- Smart Diagnosis

※ Search "ThinQ" on Google market or App store then download the app.  
\* Wi-Fi modem (PWFMD200) is required by option.

\*\* This functions are used by Google assistant & Amazon Alexa  
※ In some countries, the use of the Google assistant & Amazon Alexa system may be restricted.

※ For our policy of continuous ThinQ App improvement, specification, design and features are subject to change without prior notice.

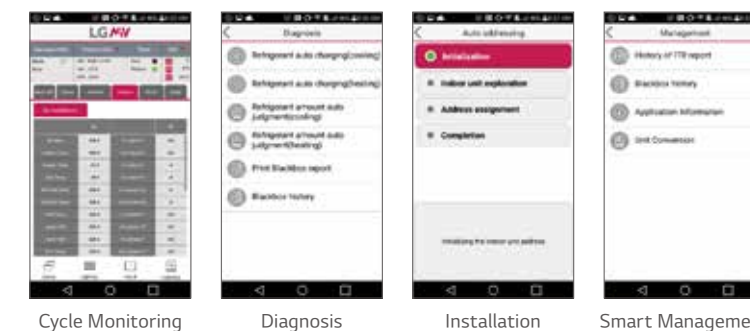
## Mobile LGMV

LGMV(Monitoring View) helps engineers to inspect and monitor air conditioning unit easily.



### Error Indicator

	Contents
01	Air temperature sensor of indoor unit
02	Inlet pipe temperature sensor of indoor unit
03	Communication error : Wired Remote Controller ↔ Indoor Unit
	⋮



A technician not only can check the cycle information with diagrams & graph, but also check easily the error status (Troubleshooting guide) and take action immediately.

※ Search "Mobile LGMV" on Google or Apple store then download the app.  
※ Wi-Fi modem (PWFMD200) is required by option.





# FLOOR STANDING



## Stylish Design

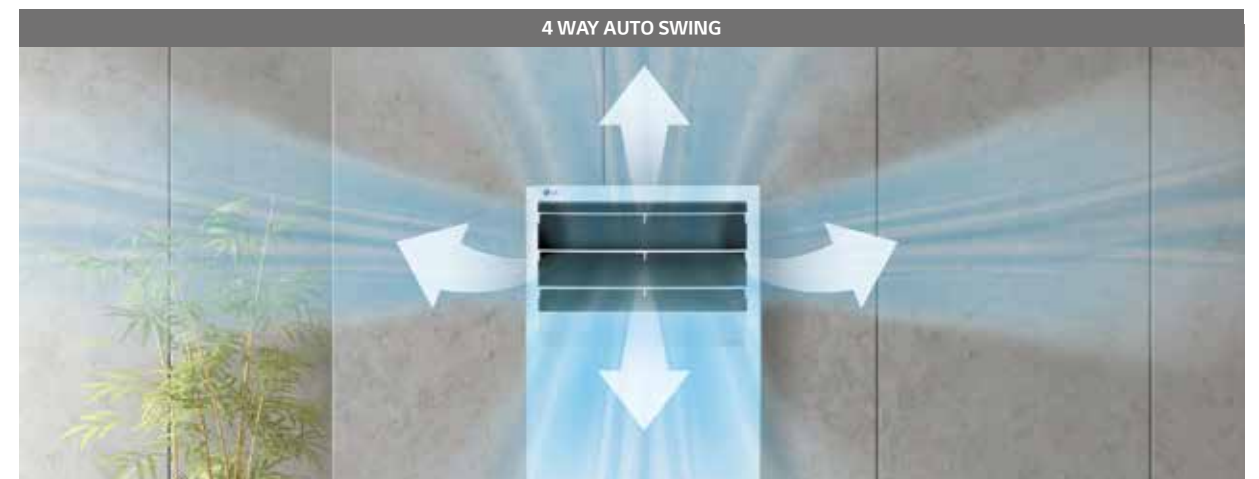
The new LG floor standing air conditioner is ideal for modern interiors in your office or restaurant.



FLOOR  
STANDING

## Powerful Air flow

The new LG floor standing air conditioner is efficient for using in large areas due to its powerful cooling operation. The powerful air speed and volume means the air flow can reach up to 20 m away from the air conditioner.





## Excellent Cooling Performance

Power cooling function provides the optimal air flow angle, guaranteeing a faster and higher cooling performance.

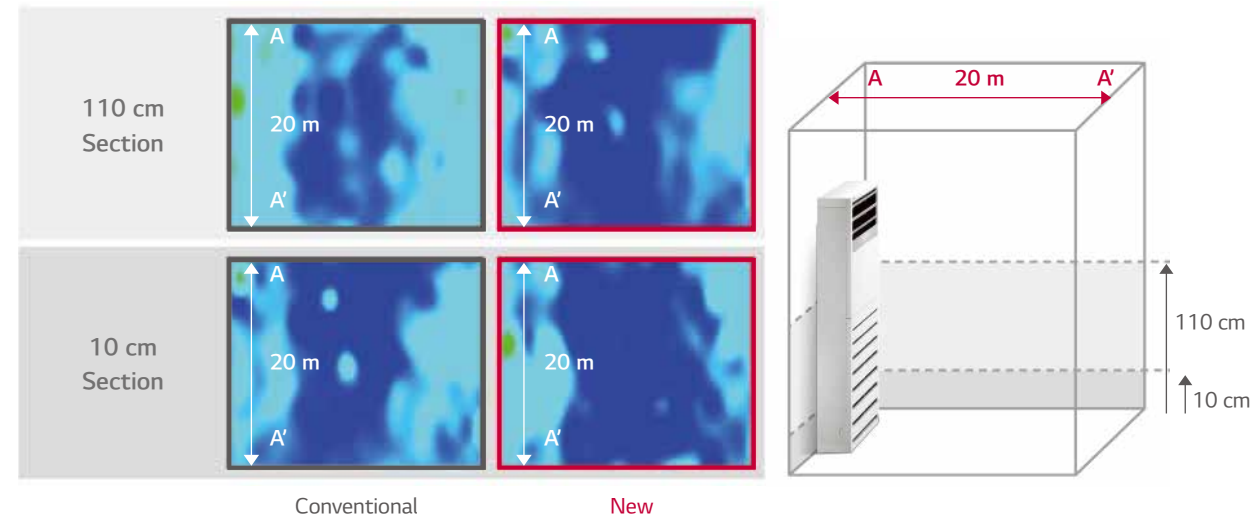
### Easy Power Cooling Mode



**Power Cooling Mode for Floor Standing**  
In power cooling mode, desired temperature is set to 18°C and the horizontal louver is fixed at the highest position.

※ Actual product appearance may differ from the above simulated scene.

### Powerful & Even Air Distribution



※ Indoor : 33°C → 24°C / Outdoor : 46°C



SET CONDITION		Btu/h	24K	30K	36K
Power Supply	V, ∅, Hz		220-240, 1, 50/60	220-240, 1, 50/60	220-240, 1, 50/60
Cooling Capacity	Btu/h	Max / Rated / Min	27,000 / 24,000 / 7,200	31,600 / 30,000 / 8,400	40,000 / 36,000 / 10,800
	kW	Max / Rated / Min	7.91 / 7.03 / 2.11	9.26 / 8.79 / 2.46	11.71 / 10.54 / 3.15
Power Input	Rated	kW	2.22	2.95	3.51
Running Current	Rated	A	10.1	13.4	16.0
EER		w/w	3.17	2.98	3.01

INDOOR UNIT				ZPNQ24GS1A0	ZPNQ30GR5E0	ZPNQ36GR5A0
Power Supply	V, ∅, Hz			220-240, 1, 50/60	220-240, 1, 50/60	220-240, 1, 50/60
Dimensions	Body	W x H x D	mm	530 x 1,800 x 295	590 x 1,840 x 300	590 x 1,840 x 300
	Shipping	W x H x D	mm	596 x 1,853 x 383	680 x 1,925 x 395	680 x 1,925 x 395
Weight	Body	kg		25.3	36	36
	Shipping	kg		31.6	43	43
Fan Type			Turbo Fan			
Air Flow Rate	SH / H / M / L	m <sup>3</sup> /min	15.0 / 12.0 / - / 10.0	23.5 / 19.0 / 17.0 / 14.0	23.5 / 19.0 / 17.0 / 14.0	
Fan Motor	Type			BLDC		
	Output	W x No.	104 x 1			
Sound Pressure Level	Cooling	SH / H / M / L	dB(A)	45 / 43 / - / 41	52 / 47 / 44 / 41	52 / 47 / 44 / 41
	Liquid Side	mm(inch)	∅9.52 (3/8)			
Piping Connections	Gas Side	mm(inch)	∅15.88 (5/8)			
	Drain Pipe	(O.D. / I.D.)	mm	∅20, ∅17 / ∅12.2		

OUTDOOR UNIT				ZUAC1	ZUAC1	ZUAD1
Power Supply	V, ∅, Hz			220-240, 1, 50/60	220-240, 1, 50/60	220-240, 1, 50/60
Dimensions	W x H x D	mm		870 x 650 x 330	870 x 650 x 330	950 x 834 x 330
Net Weight			kg	41.5	41.5	59.5
Compressor	Type			Twin Rotary		
	Motor Type			BLDC		
Motor Output	W x No.			1,500 x 1		
	Type			R32		
Refrigerant	Chargeless-Pipe Length	m		15		
	Additional Charging Volume	g/m		30		
Fan	Type			Axial Fan		
	Air Flow Rate	m <sup>3</sup> /min x No.	50 x 1			
Fan Motor	Type			BLDC		
	Output	W x No.	85.0 x 1			
Sound Pressure Level	Cooling	Rated	dB(A)	53	53	55
Piping Connections	Liquid	Outer Dia.	mm(inch)	∅9.52 (3/8)		
	Gas	Outer Dia.	mm(inch)	∅15.88 (5/8)		
Piping Length	Min. / Max.	m		5 / 50		
Max Height Difference	Outdoor - Indoor	Max.	m	30		



SET CONDITION		Btu/h	36K	46,5K	46,5K
Power Supply		V, Ø, Hz	380-415, 3, 50/60	220-240, 1, 50/60	380-415, 3, 50/60
Cooling Capacity	Btu/h	Max / Rated / Min	40,000 / 36,000 / 10,800	48,950 / 46,500 / 13,800	48,950 / 46,500 / 13,800
	kW	Max / Rated / Min	11.71 / 10.54 / 3.15	14.33 / 13.61 / 4.05	14.33 / 13.61 / 4.05
Power Input	Rated	kW	3.51	4.81	4.81
Running Current	Rated	A	4.9	21.9	6.7
EER		w/w	3.01	2.83	2.83

INDOOR UNIT				ZPNQ36LR5A0	ZPNQ48GT3A0	ZPNQ48LT3A0
Power Supply		V, Ø, Hz		220-240, 1, 50/60	220-240, 1, 50/60	220-240, 1, 50/60
Dimensions	Body	W x H x D	mm	590 x 1,840 x 300	590 x 1,840 x 440	590 x 1,840 x 440
	Shipping	W x H x D	mm	680 x 1,925 x 395	681 x 1,927 x 521	681 x 1,927 x 521
Weight	Body		kg	36	49	49
	Shipping		kg	43	57	57
Fan Type				Turbo Fan	Sirocco	Sirocco
Air Flow Rate		SH / H / M / L	m <sup>3</sup> /min	23.5 / 19.0 / 17.0 / 14.0	37.0 / 33.0 / 28.0 / 24.0	37.0 / 33.0 / 28.0 / 24.0
Fan Motor	Type			BLDC	BLDC	BLDC
	Output		W x No.	104 x 1	224 x 1	224 x 1
Sound Pressure Level	Cooling	SH / H / M / L	dB(A)	52 / 47 / 44 / 41	- / 51 / 49 / 47	- / 51 / 49 / 47
			mm(inch)	Ø9.52 (3/8)	Ø9.52 (3/8)	Ø9.52 (3/8)
Piping Connections	Liquid Side		mm(inch)	Ø15.88 (5/8)	Ø15.88 (5/8)	Ø15.88 (5/8)
	Gas Side		mm(inch)	Ø20, Ø17 / Ø12.2	Ø20, Ø17 / Ø12.2	Ø20, Ø17 / Ø12.2
	Drain Pipe	(O.D. / I.D.)	mm			

OUTDOOR UNIT				ZUAD3	ZUAD1	ZUAD3
Power Supply		V, Ø, Hz		380-415, 3, 50/60	220-240, 1, 50/60	380-415, 3, 50/60
Dimensions		W x H x D	mm	950 x 834 x 330	950 x 834 x 330	950 x 834 x 330
Net Weight			kg	60.8	59.5	60.8
Compressor	Type			Twin Rotary	Twin Rotary	Twin Rotary
	Motor Type			BLDC	BLDC	BLDC
Refrigerant	Motor Output		W x No.	4,000 x 1	4,000 x 1	4,000 x 1
	Type			R32	R32	R32
Fan	Chargeless-Pipe Length		m	15	15	15
	Additional Charging Volume		g/m	40	40	40
Fan Motor	Type			Axial Fan	Axial Fan	Axial Fan
	Air Flow Rate		m <sup>3</sup> /min x No.	60 x 1	60 X 1	60 x 1
Sound Pressure Level	Type			BLDC	BLDC	BLDC
	Output		W x No.	124.0 x 1	124.0 X 1	124.0 x 1
Piping Connections	Cooling	Rated	dB(A)	55	55	55
	Liquid	Outer Dia.	mm(inch)	Ø9.52 (3/8)	Ø9.52 (3/8)	Ø9.52 (3/8)
Piping Length	Gas	Outer Dia.	mm(inch)	Ø15.88 (5/8)	Ø15.88 (5/8)	Ø15.88 (5/8)
	Min. / Max.		m	5 / 50	5 / 50	5 / 50
Max Height Difference	Outdoor - Indoor	Max.	m	30	30	30



SET CONDITION		Btu/h	98K	160K	200K
Power Supply		V, Ø, Hz	380-415, 3, 50/60	380-415, 3, 50/60	380-415, 3, 50/60
Cooling Capacity	Btu/h	Max / Rated / Min	- / 98,000 / 49,000	- / 160,000 / 64,200	- / 200,000 / 79,900
	kW	Max / Rated / Min	- / 28.7 / 14.3	- / 46.9 / 18.8	- / 58.6 / 23.4
Power Input	Rated	kW	11.5	16.1	21
Running Current	Rated	A	19.5	22	28.2
EER		w/w	2.50	2.91	2.79

INDOOR UNIT				APNQ100LFA0	APNQ150LNA0	APNQ200LNA0
Power Supply		V, Ø, Hz		220-240, 1, 50/60	220-240, 1, 50/60	220-240, 1, 50/60
Dimensions	Body	W x H x D	mm	1,050 x 1,880 x 495	1,558 x 1,920 x 700	1,558 x 1,920 x 700
	Shipping	W x H x D	mm	-	-	-
Weight	Body		kg	103	237	237
	Shipping		kg	-	-	-
Fan Type				Sirocco	Sirocco	Sirocco
Air Flow Rate		SH / H / M / L	m <sup>3</sup> /min	68 / 61 / - / 50	- / 120 / - / 95	- / 130 / - / 95
Fan Motor	Type			BLDC	BLDC	BLDC
	Output		W x No.	900 x 1	750 x 2	750 x 2
Sound Pressure Level	Cooling	SH / H / M / L	dB(A)	58 / 55 / - / 51	- / 64 / - / 57	- / 65 / - / 57
			mm(inch)	Ø9.52 (3/8)	Ø15.88 (5/8)	Ø15.88 (5/8)
Piping Connections	Liquid Side		mm(inch)	Ø22.2 (7/8)	Ø28.58 (1-1/8)	Ø28.58 (1-1/8)
	Gas Side		mm	Ø32 / Ø25	Ø21.0 / Ø17.0	Ø21.0 / Ø17.0
	Drain Pipe	(O.D. / I.D.)	mm			

OUTDOOR UNIT				APUQ100LFA0	APUQ150LNA0	APUQ200LNA0
Power Supply		V, Ø, Hz		380-415, 3, 50/60	380-415, 3, 50/60	380-415, 3, 50/60
Dimensions		W x H x D	mm	1,090 x 1,625 x 380	1,240 x 1,680 x 760	1,240 x 1,680 x 760
Net Weight			kg	143	270	270
Compressor	Type			Scroll	Hermetic Motor	Hermetic Motor
	Motor Type			BLDC	BLDC	BLDC
Refrigerant	Motor Output		W x No.	4,241 x 1	4,200 x 2	4,200 x 2
	Type			R410A	R410A	R410A
Fan	Chargeless-Pipe Length		m	5	5	5
	Additional Charging Volume		g/m	61	150	150
Fan Motor	Type			Propeller	Propeller	Propeller
	Air Flow Rate		m <sup>3</sup> /min x No.	190 x 2	290	290
Sound Pressure Level	Type			BLDC	BLDC	BLDC
	Output		W x No.	250 x 2	900 x 2	900 x 2
Piping Connections	Cooling	Rated	dB(A)	60	64	65
	Liquid	Outer Dia.	mm(inch)	Ø9.52 (3/8)	Ø15.88 (5/8)	Ø15.88 (5/8)
Piping Length	Gas	Outer Dia.	mm(inch)	Ø22.2 (7/8)	Ø28.58 (1-1/8)	Ø28.58 (1-1/8)
	Min. / Max.		m	5 / 50	- / 50	- / 50
Max Height Difference	Outdoor - Indoor	Max.	m	30	30	30

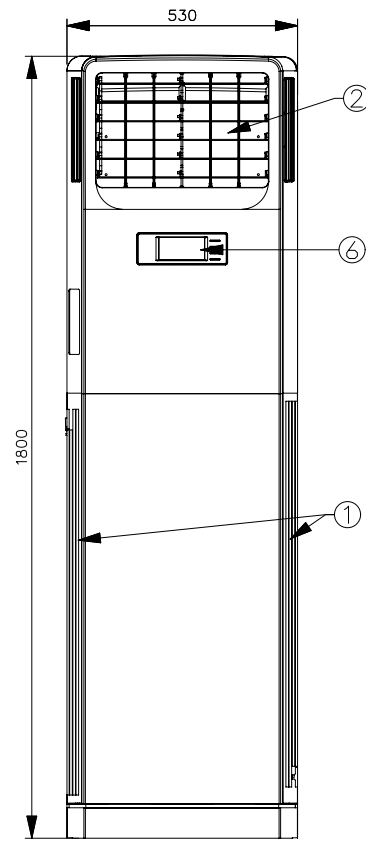


# FLOOR STANDING

ZPNQ24GS1A0

(Unit : mm)

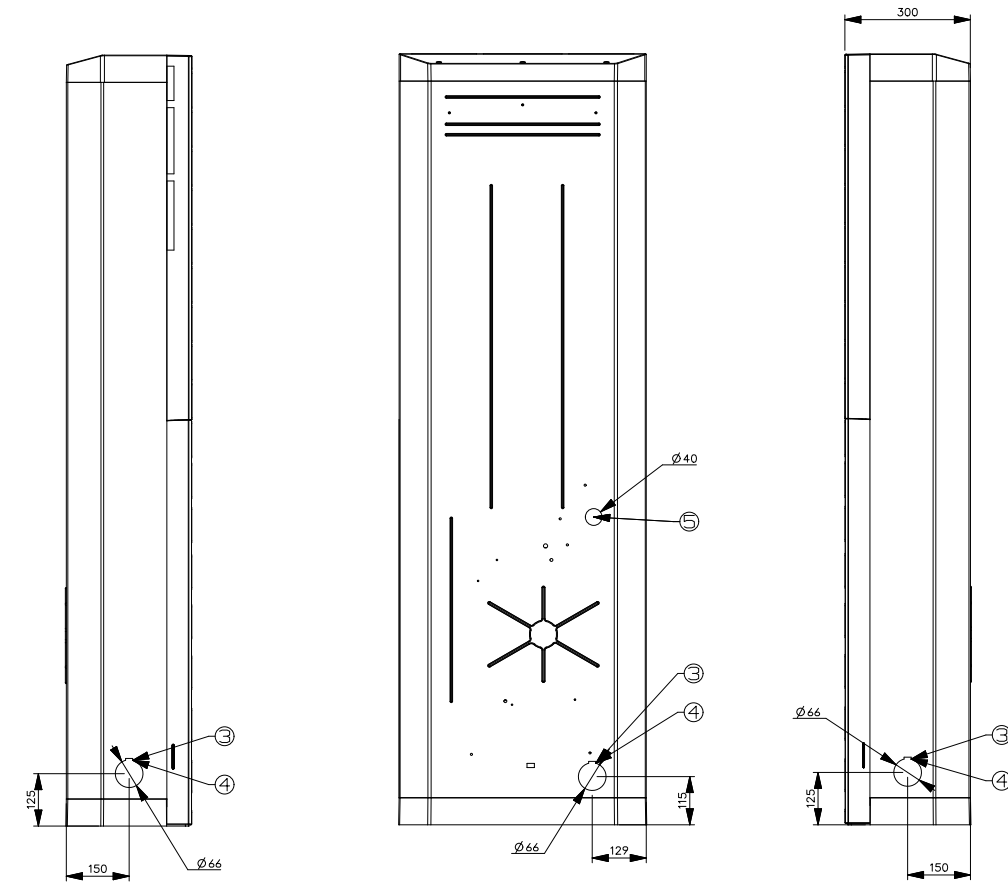
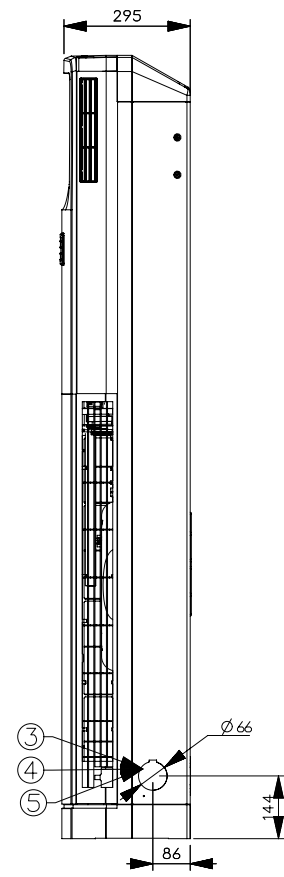
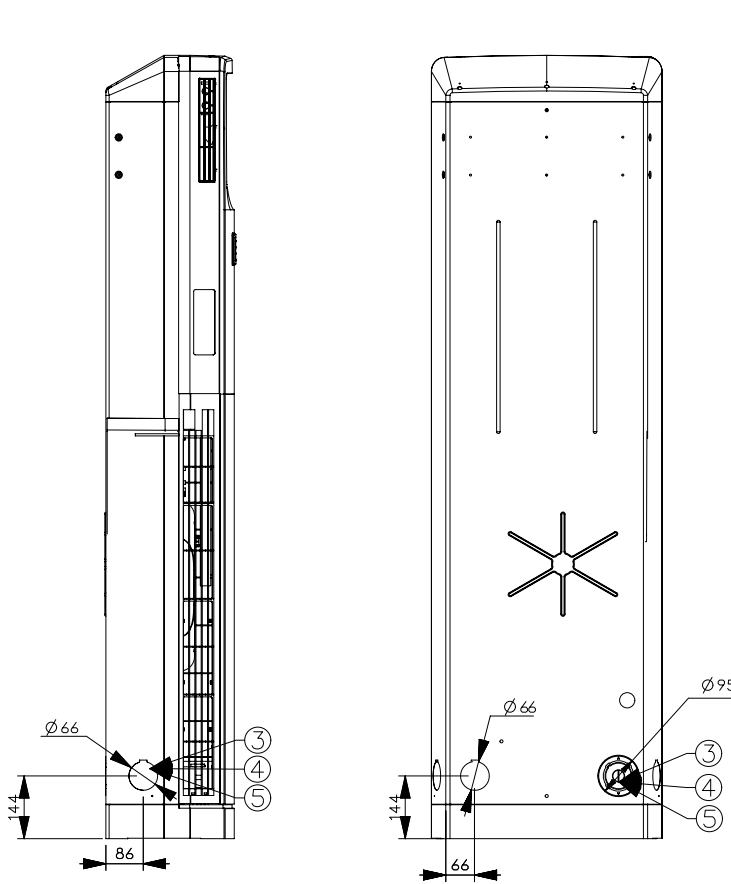
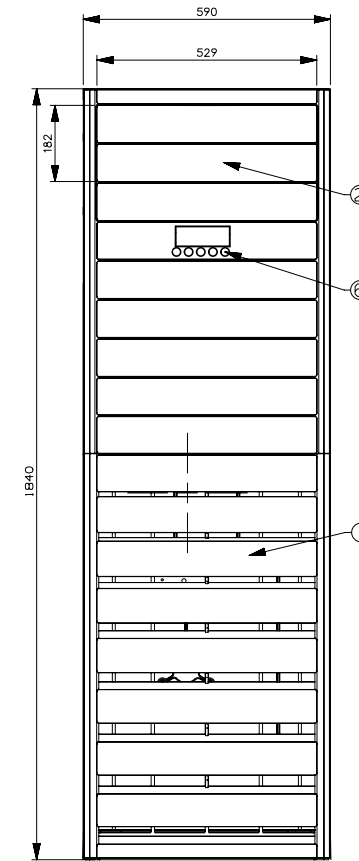
	PART NAME
1	Inlet Grill
2	Air Outlet
3	Piping Hole
4	Wire Hole
5	Drain Routing Hole
6	Remote Controller Reciever



ZPNQ30GR5E0 / ZPNQ36GR5A0 / ZPNQ36LR5A0

(Unit : mm)

	PART NAME
1	Inlet Grill
2	Air Outlet
3	Piping Hole
4	Wire Hole
5	Drain Routing Hole
6	Remote Controller Reciever



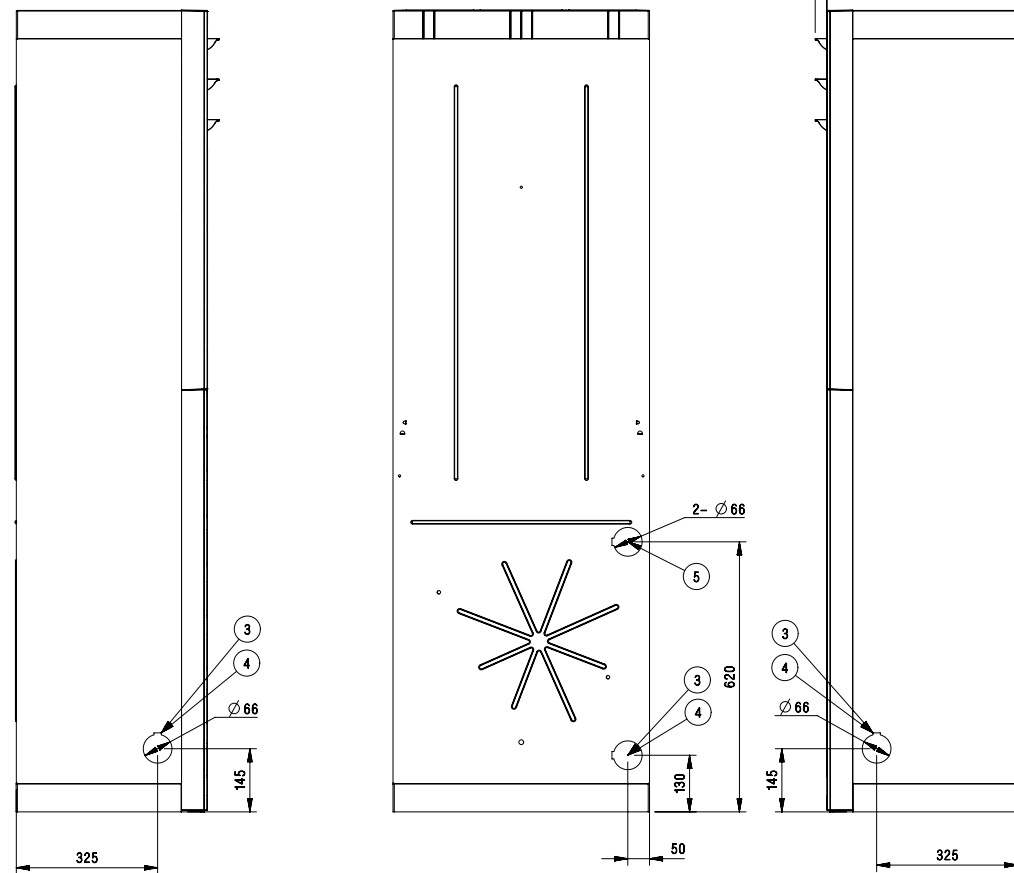
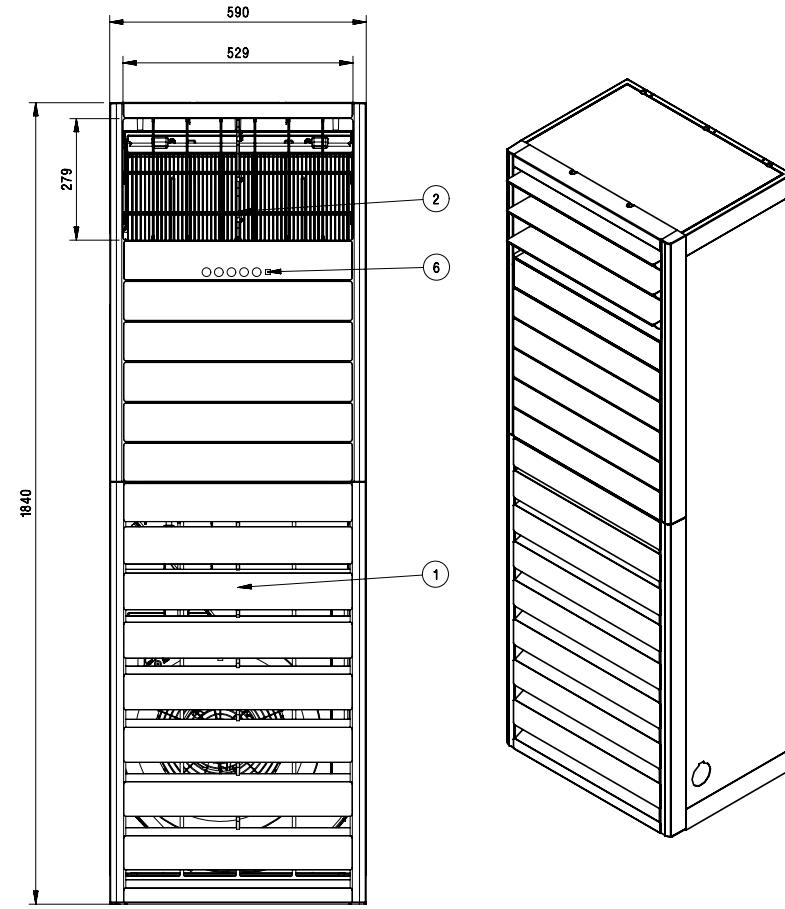
# FLOOR STANDING

# FLOOR STANDING

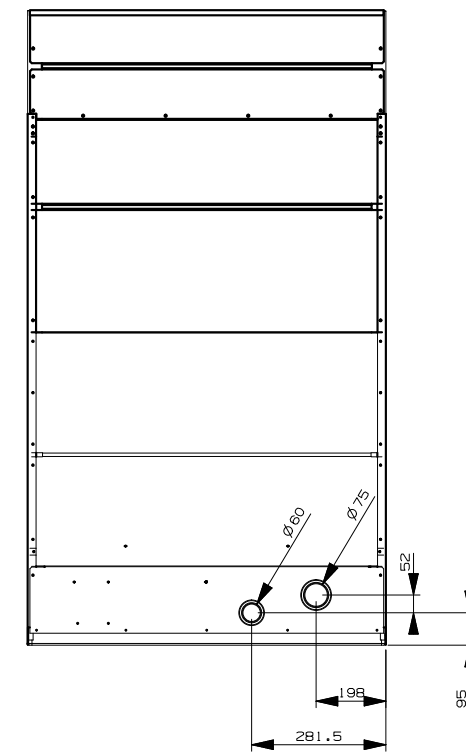
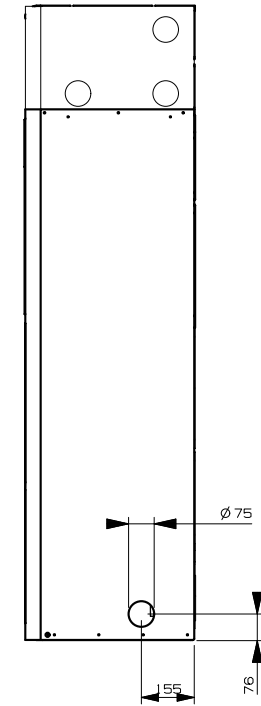
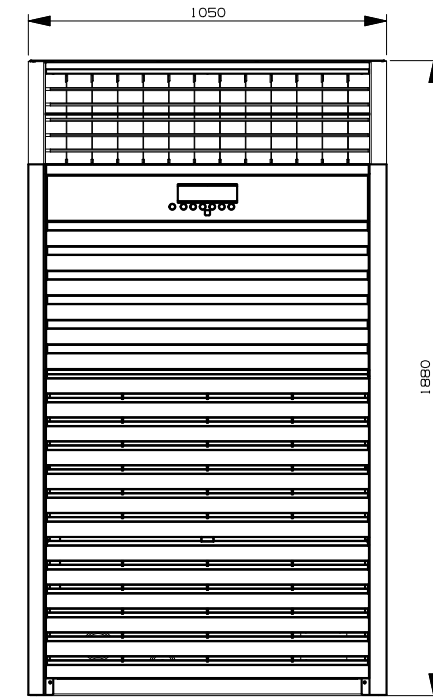
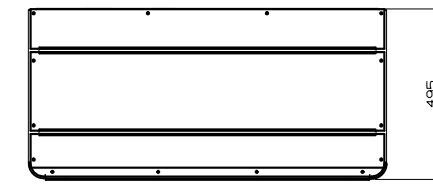
ZPNQ48GT3A0 / ZPNQ48LT3A0

(Unit : mm)

PART NAME	
1	Inlet Grill
2	Air Outlet
3	Piping Hole
4	Wiring Hole
5	Drain Routing Hole
6	Remote Controller Receiver



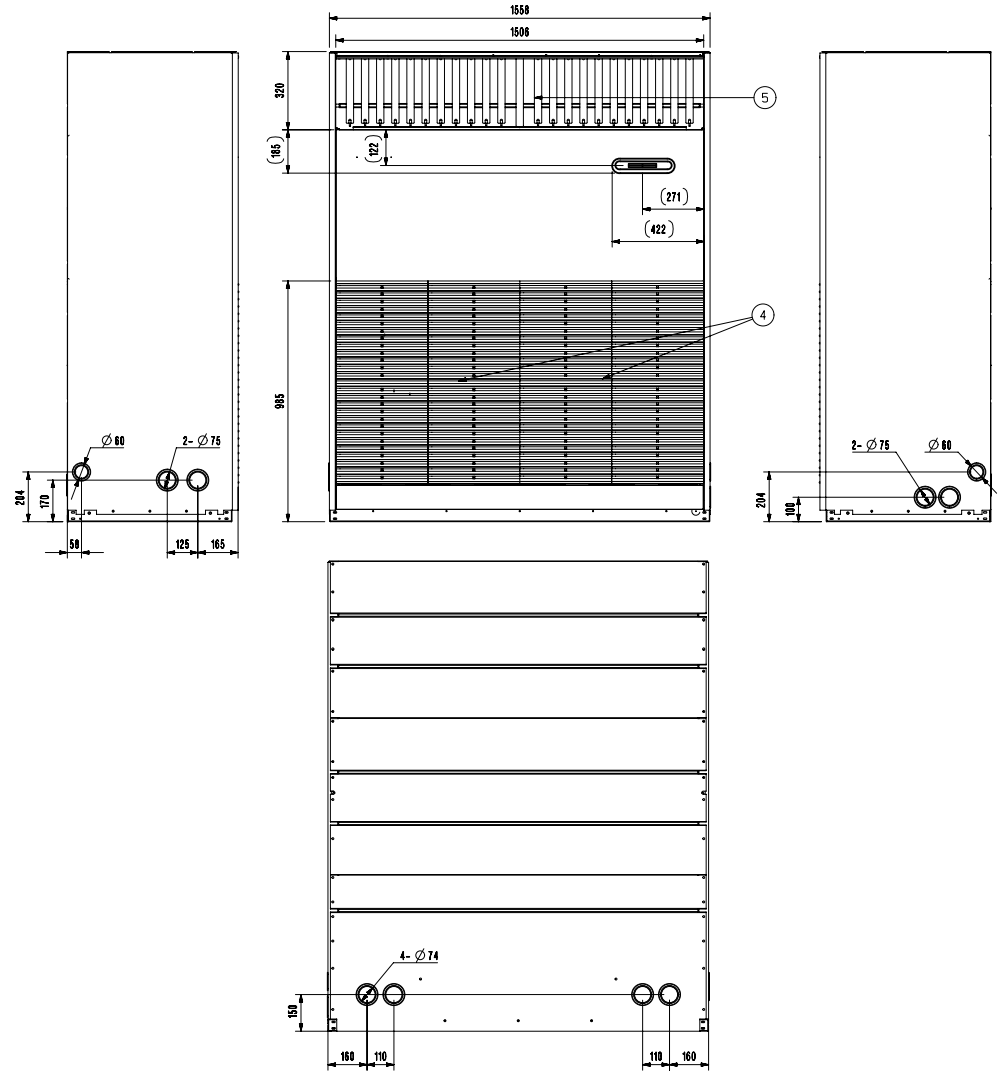
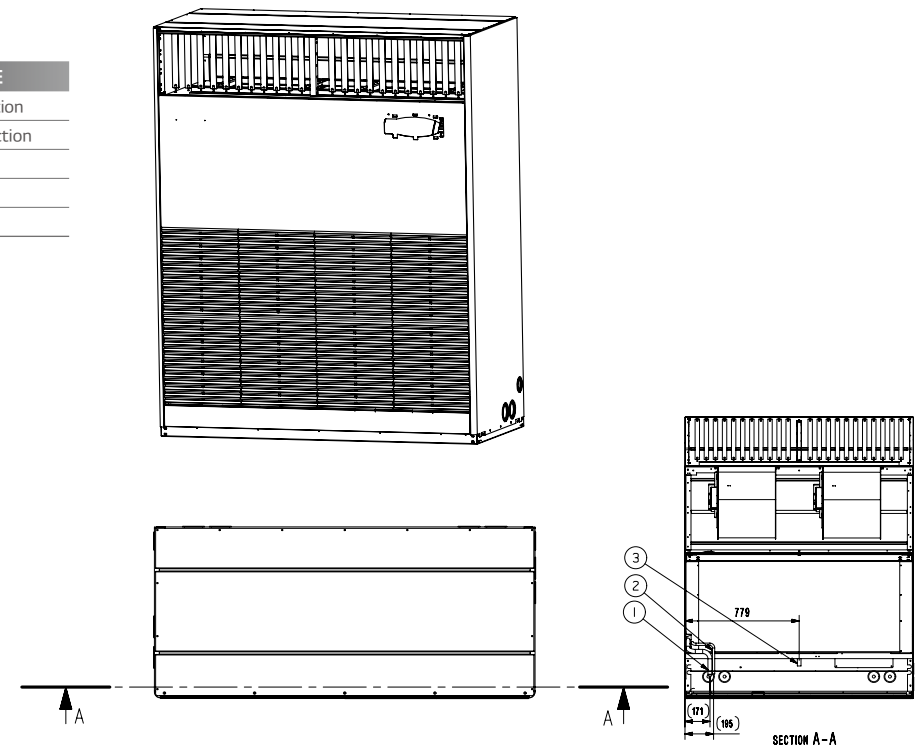
APNQ100LFA0



# FLOOR STANDING

(Unit : mm)

PART NAME	
1	Gas Pipe Connection
2	Liquid Pipe Connection
3	Drain Outlet
4	Inlet Grille
5	Air Outlet





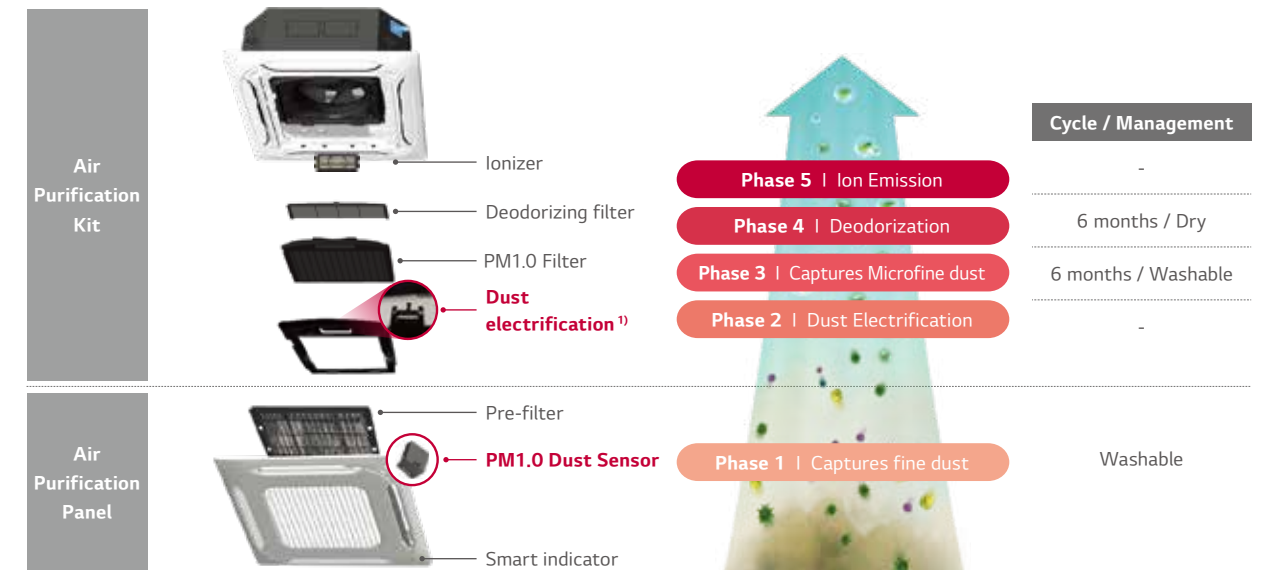
# CEILING MOUNTED CASSETTE 4 WAY



CEILING MOUNTED CASSETTE 4 WAY FEATURES

## Convenient and Powerful Air Purification

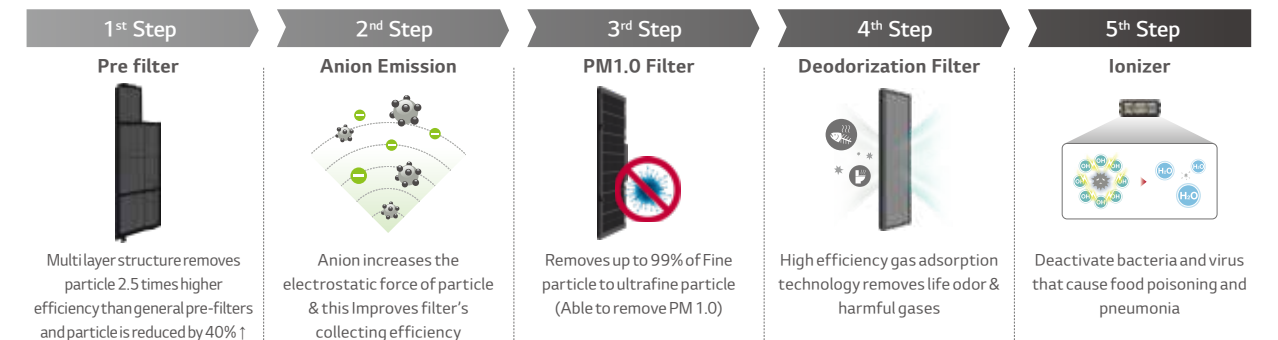
Easy to manage air purifying system with one-touch air cleaning filter.



1) Electrical diffusion makes dust electrification.  
\* Need optional Air Purification panel (PT-MPGW0) & Air Purification kit (PTAHMPO) & Wired remote (PREMTB100)

## Air Purification Technology

5-Steps air cleaning process removes invisible, ultra fine dust, odor and germs to ensure a clean and healthy living environment.



### CAC Certification?

The Korea Air Cleaning Association strictly tests the air cleaning function of air conditioner products and provide certification to the product that give credibility to consumers.

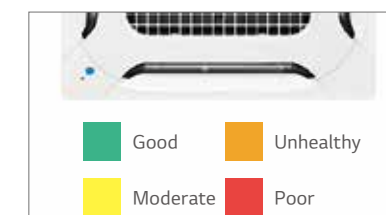


## Various Display of Air Purification

Installed Wi-Fi leads unlimited boundary to control IDU and display Air Purification status.

### Smart Indicator

Shows quality of Indoor air in real time



### Remote Controller

Display Air status and Fine Dust Concentration



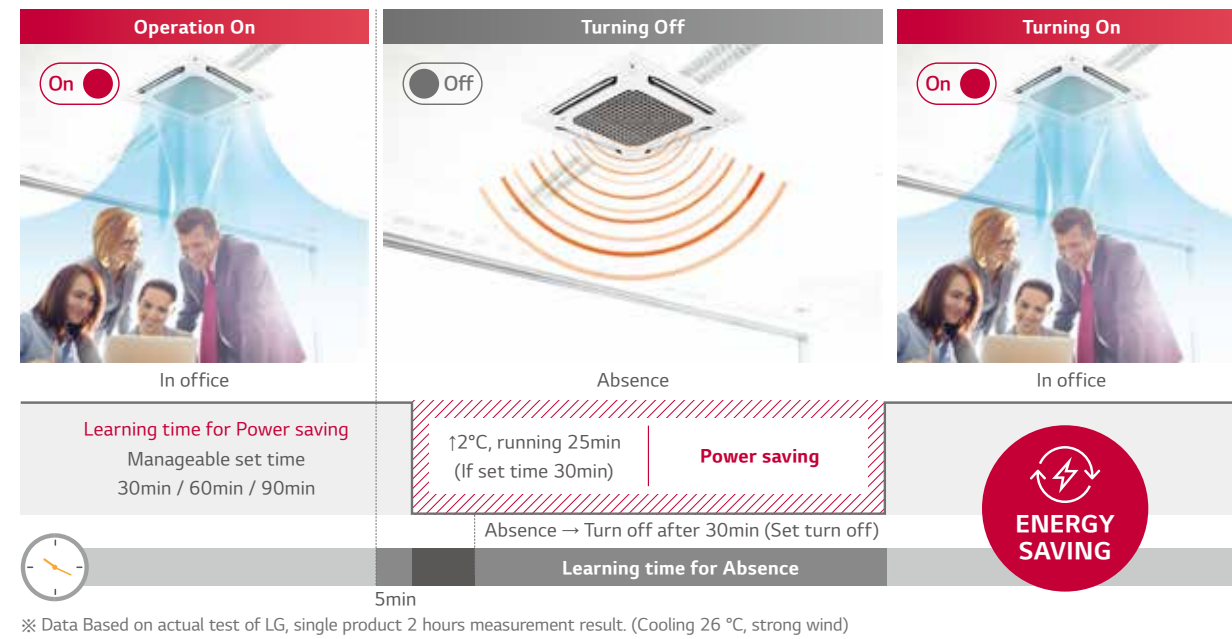
### Mobile

Whenever & Wherever Check and Control Air status



## Human Detecting On / Off Learning Operation System

Sensor detects people to switch On / Off for maximize energy saving.



## Human Detection Sensor & Humidity Sensor

Human detection sensor (PTVSMA0)

Apply human detection sensor  
Apply vision sensor

- Saving energy
- Supply comfortable air flow
- The sensor is an optional accessory that can only be applied on PT-MCGW0 (Cassette Panel)

※ Sensor is optional accessory (PTVSMA0) : only can be applied to PT-MCGW0 (Cassette Panel)

※ To use this function, new remote controller, PREMTB100 or PREMTBB10 is needed.

## Independent Control of Air Flow

The independent vane operation feature uses separate 4 motors, making it possible to control all four vanes independently. The independent control provides optimal comfort for each user. It is capable of handling inclination angles between 20° ~ 70°.

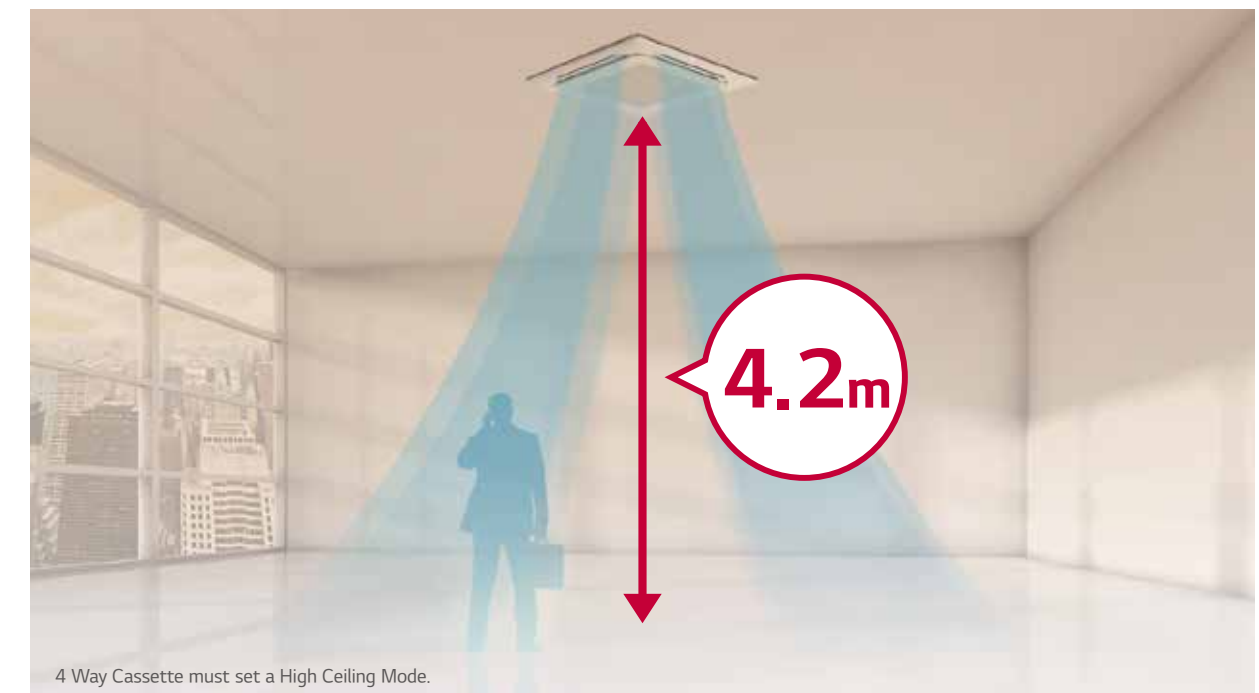
Indirect air flow

Direct air flow



## High Ceiling Mode

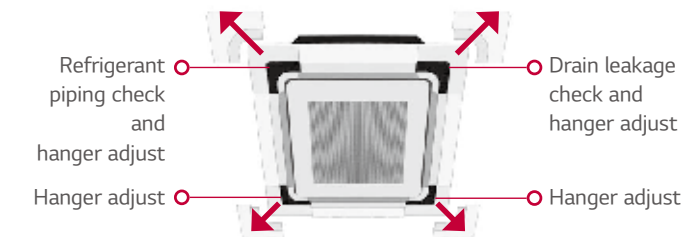
Wind can reach up to 4.2m with plenty air volume. (@ 0.5ms)



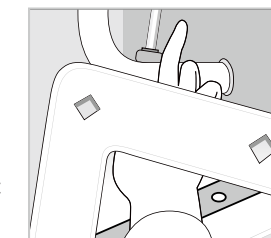
## Convenient Panel Installation

The detachable corner design makes it easy to adjust the hanger during installation and to check for leakages in the drain connection pipe. And it is easy to install the panel to the body, using the button type panel design.

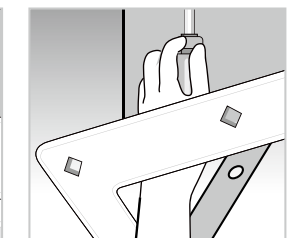
### Detachable Corner Design



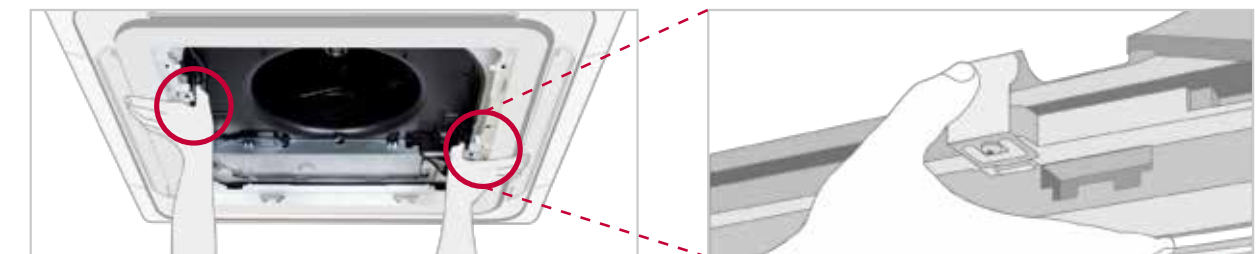
### Drain Leakage Check



### Hanger Adjust



It is easy to install the panel to the body, using the button type panel design.





CEILING MOUNTED CASSETTE 4 WAY



SET CONDITION		Btu/h	18K	24K	32K	36K
Power Supply	V, Ø, Hz		220-240, 1, 50/60	220-240, 1, 50/60	220-240, 1, 50/60	220-240, 1, 50/60
Cooling Capacity	Btu/h	Max / Rated / Min	20,500 / 18,000 / 5,400	26,200 / 24,000 / 7,200	33,700 / 32,000 / 15,000	40,000 / 36,000 / 10,800
	kW	Max / Rated / Min	6.01 / 5.27 / 1.58	7.68 / 7.03 / 2.11	9.87 / 9.37 / 4.4	11.71 / 10.54 / 3.15
Power Input	Rated	kW	1.43	2.11	3.05	3.20
Running Current	Rated	A	6.5	9.6	13.9	14.6
EER		w/w	3.69	3.33	3.07	3.30

INDOOR UNIT				ZTNQ18GPLA0	ZTNQ24GPLA0	ZTNQ30GNLE0	ZTNQ36GNLA0
Power Supply	V, Ø, Hz			220-240, 1, 50/60	220-240, 1, 50/60	220-240, 1, 50/60	220-240, 1, 50/60
Dimensions	Body	W x H x D	mm	840 x 204 x 840	840 x 204 x 840	840 x 246 x 840	840 x 246 x 840
	Shipping	W x H x D	mm	922 x 276 x 917	922 x 276 x 917	922 x 318 x 917	922 x 318 x 917
Weight	Body		kg	19.5	19.5	25	25
	Shipping		kg	23.5	23.5	27.2	27.2
Fan Type				Turbo Fan	Turbo Fan	Turbo Fan	Turbo Fan
Air Flow Rate	SH / H / M / L	m³/min		- / 17.0 / 15.0 / 13.0	- / 17.0 / 15.0 / 13.0	- / 25.0 / 22.0 / 19.0	- / 25.0 / 22.0 / 19.0
Fan Motor	Type			BLDC	BLDC	BLDC	BLDC
	Output	W x No.		50.3 x 1	50.3 x 1	124 x 1	124 x 1
Sound Pressure Level	Cooling	SH / H / M / L	dB(A)	- / 40 / 36 / 33	- / 40 / 36 / 33	- / 45 / 41 / 37	- / 45 / 41 / 37
	Liquid Side	mm(inch)		Ø6.35 (1/4)	Ø9.52 (3/8)	Ø9.52 (3/8)	Ø9.52 (3/8)
Piping Connections	Gas Side	mm(inch)		Ø12.7 (1/2)	Ø15.88 (5/8)	Ø15.88 (5/8)	Ø15.88 (5/8)
	Drain Pipe	(O.D. / I.D.)	mm(inch)	Ø32 (1-1/4) / Ø25 (31/32)	Ø32 (1-1/4) / Ø25 (31/32)	Ø32 (1-1/4) / Ø25 (31/32)	Ø32 (1-1/4) / Ø25 (31/32)
	Model Name			PT-MCHW0	PT-MCHW0	PT-MCHW0	PT-MCHW0
Decoration Panel*	Casing Color			Morning Fog	Morning Fog	Morning Fog	Morning Fog
	Dimensions	W x H x D	mm	950 x 35 x 950	950 x 35 x 950	950 x 35 x 950	950 x 35 x 950
	Net Weight	kg		6.3	6.3	6.3	6.3

\* To use Air Purification function, Need Air Purification panel (PT-MPGW0) & Air Purification kit (PTAHMP0) & Wired remote (PREMTB100) / All optional

OUTDOOR UNIT				ZUAB1	ZUAC1	ZUAC1	ZUAD1
Power Supply	V, Ø, Hz			220-240, 1, 50/60	220-240, 1, 50/60	220-240, 1, 50/60	220-240, 1, 50/60
Dimensions	W x H x D	mm		770 x 545 x 288	870 x 650 x 330	870 x 650 x 330	950 x 834 x 330
Net Weight			kg	30.9	41.5	41.5	59.5
Compressor	Type			Twin Rotary	Twin Rotary	Twin Rotary	Twin Rotary
	Motor Type			BLDC	BLDC	BLDC	BLDC
Refrigerant	Motor Output	W x No.		1,500 x 1	1,500 x 1	1,500 x 1	4,000 x 1
	Type			R32	R32	R32	R32
Fan	Chargeless-Pipe Length	m		15	15	15	15
	Additional Charging Volume	g/m		15	30	30	40
Fan Motor	Type			Axial Fan	Axial Fan	Axial Fan	Axial Fan
	Air Flow Rate	m³/min x No.		50 x 1	50 x 1	50 x 1	60 x 1
Sound Pressure Level	Type			BLDC	BLDC	BLDC	BLDC
	Output	W x No.		43.0 x 1	85.0 x 1	85.0 x 1	124.0 x 1
Piping Connections	Cooling	Rated	dB(A)	51	53	53	55
	Liquid	Outer Dia.	mm(inch)	Ø6.35 (1/4)	Ø9.52 (3/8)	Ø9.52 (3/8)	Ø9.52 (3/8)
Piping Length	Gas	Outer Dia.	mm(inch)	Ø12.7 (1/2)	Ø15.88 (5/8)	Ø15.88 (5/8)	Ø15.88 (5/8)
	Min. / Max.	m		5 / 30	5 / 50	5 / 50	5 / 50
Max Height Difference	Outdoor - Indoor	Max.	m	20	30	30	30



SET CONDITION		Btu/h	36K	46,5K	46,5K
Power Supply	V, Ø, Hz		380-415, 3, 50/60	220-240, 1, 50/60	380-415, 3, 50/60
Cooling Capacity	Btu/h	Max / Rated / Min	40,000 / 36,000 / 10,800	48,950 / 46,500 / 13,800	48,950 / 46,500 / 13,800
	kW	Max / Rated / Min	11.71 / 10.54 / 3.15	14.33 / 13.61 / 4.05	14.33 / 13.61 / 4.05
Power Input	Rated	kW	3.20	4.63	4.63
Running Current	Rated	A	4.5	21.1	6.5
EER		w/w	3.30	2.94	2.94

INDOOR UNIT				ZTNQ36LNLA0	ZTNQ48GMLA0	ZTNQ48LMLA0
Power Supply	V, Ø, Hz			220-240, 1, 50/60	220-240, 1, 50/60	220-240, 1, 50/60
Dimensions	Body	W x H x D	mm	840 x 246 x 840	840 x 288 x 840	840 x 288 x 840
	Shipping	W x H x D	mm	922 x 318 x 917	922 x 360 x 917	922 x 360 x 917
Weight	Body		kg	25	26	26
	Shipping		kg	27.2	31	31
Fan Type				Turbo Fan	Turbo Fan	Turbo Fan
Air Flow Rate	SH / H / M / L	m³/min		- / 25.0 / 22.0 / 19.0	- / 32.0 / 30.0 / 28.0	- / 32.0 / 30.0 / 28.0
Fan Motor	Type			BLDC	BLDC	BLDC
	Output	W x No.		124 x 1	124 x 1	124 x 1
Sound Pressure Level	Cooling	SH / H / M / L	dB(A)	- / 45 / 41 / 37	- / 44 / 42 / 40	- / 44 / 42 / 40
	Liquid Side	mm(inch)		Ø9.52 (3/8)	Ø9.52 (3/8)	Ø9.52 (3/8)
Piping Connections	Gas Side	mm(inch)		Ø15.88 (5/8)	Ø15.88 (5/8)	Ø15.88 (5/8)
	Drain Pipe	(O.D. / I.D.)	mm(inch)	Ø32 (1-1/4) / Ø25 (31/32)	Ø32 (1-1/4) / Ø25 (31/32)	Ø32 (1-1/4) / Ø25 (31/32)
	Model Name			PT-MCHW0	PT-MCHW0	PT-MCHW0
Decoration Panel*	Casing Color			Morning Fog	Morning Fog	Morning Fog
	Dimensions	W x H x D	mm	950 x 35 x 950	950 x 35 x 950	950 x 35 x 950
	Net Weight	kg		6.3	6.3	6.3

\* To use Air Purification function, Need Air Purification panel (PT-MPGW0) & Air Purification kit (PTAHMP0) & Wired remote (PREMTB100) / All optional

OUTDOOR UNIT				ZUAD3	ZUAD1	ZUAD3
Power Supply	V, Ø, Hz			380-415, 3, 50/60	220-240, 1, 50/60	380-415, 3, 50/60
Dimensions	W x H x D	mm		950 x 834 x 330	950 x 834 x 330	950 x 834 x 330
Net Weight			kg	60.8	59.5	60.8
Compressor	Type			Twin Rotary	Twin Rotary	Twin Rotary
	Motor Type			BLDC	BLDC	BLDC
Refrigerant	Motor Output	W x No.		4,000 x 1	4,000 x 1	4,000 x 1
	Type			R32	R32	R32
Fan	Chargeless-Pipe Length	m		15	15	15
	Additional Charging Volume	g/m		40	40	40
Fan Motor	Type			Axial Fan	Axial Fan	Axial Fan
	Air Flow Rate	m³/min x No.		60 x 1	60 X 1	60 x 1
Sound Pressure Level	Type			BLDC	BLDC	BLDC
	Output	W x No.		124.0 x 1	124.0 X 1	124.0 x 1
Piping Connections	Cooling	Rated	dB(A)	55	55	55
	Liquid	Outer Dia.	mm(inch)	Ø9.52 (3/8)	Ø9.52 (3/8)	Ø9.52 (3/8)
Piping Length	Gas	Outer Dia.	mm(inch)	Ø15.88 (5/8)	Ø15.88 (5/8)	Ø15.88 (5/8)
	Min. / Max.	m		5 / 50	5 / 50	5 / 50
Max Height Difference	Outdoor - Indoor	Max.	m	30	30	30

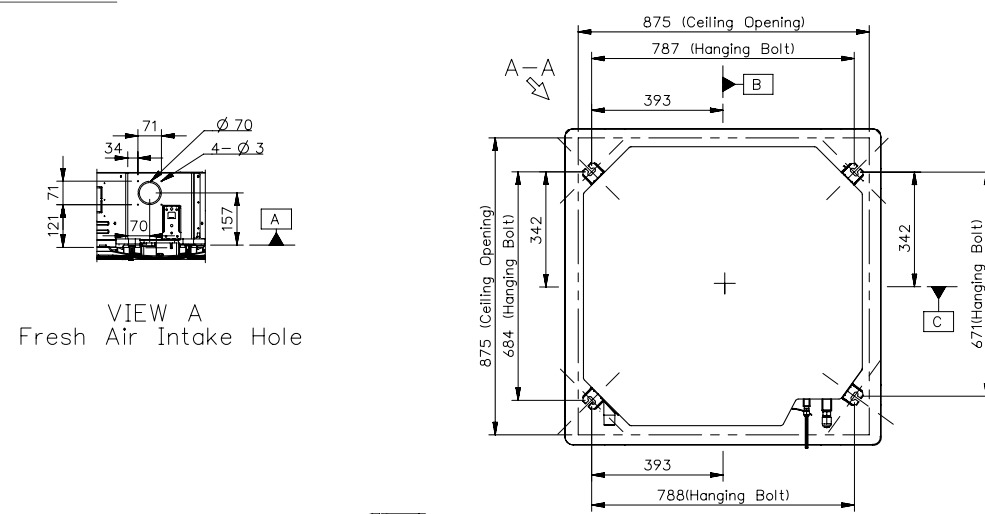
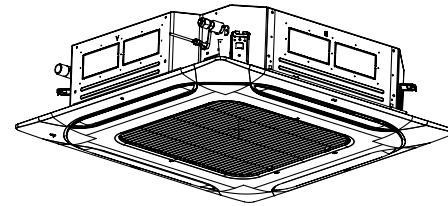
CEILING MOUNTED CASSETTE 4 WAY



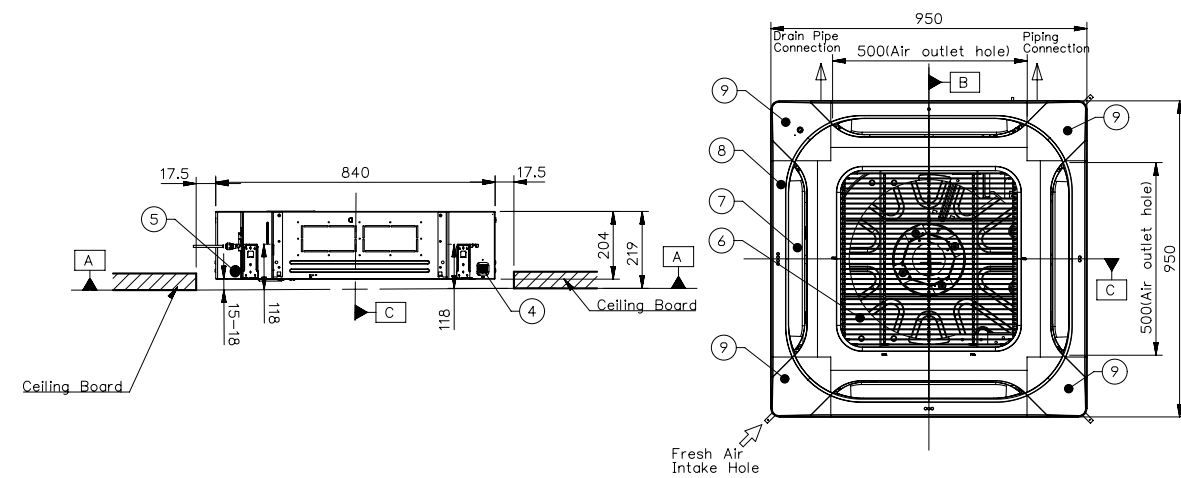
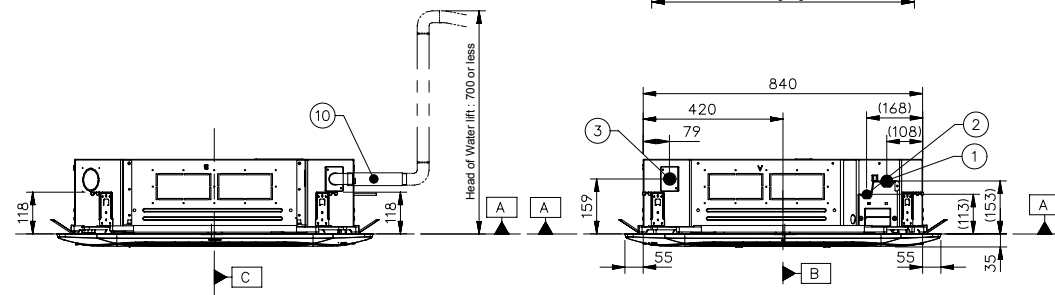
ZTNQ18GPLA0 / ZTNQ24GPLA0

(Unit : mm)

PART NAME	
1	Gas Pipe Connection
2	Liquid Pipe Connection
3	Drain Pipe Connection
4	Power and Communication Cable Wire Routing Hole
5	Wired Remote Controller Wire Routing Hole
6	Air Inlet
7	Air Outlet
8	Decoration Panel (Accessory)
9	Decoration Corner Cover
10	Flexible Drain Hose
11	Fresh air Intake Hole



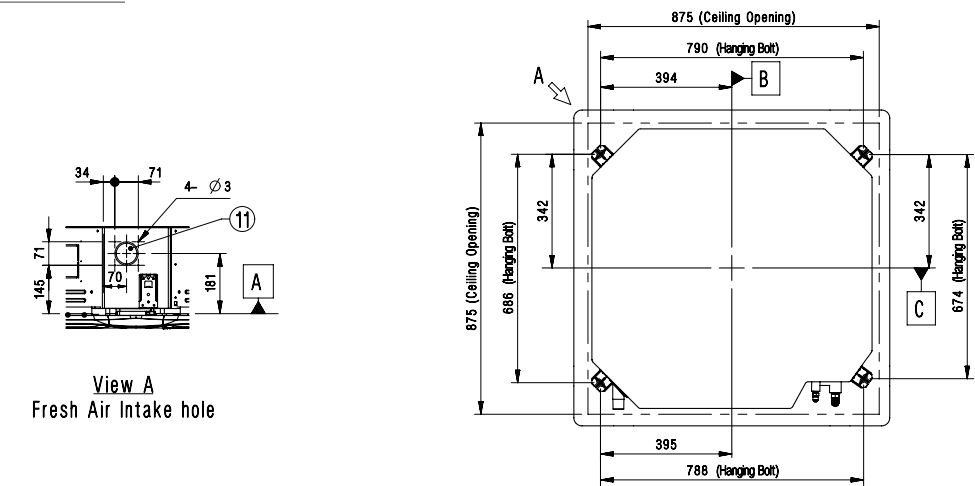
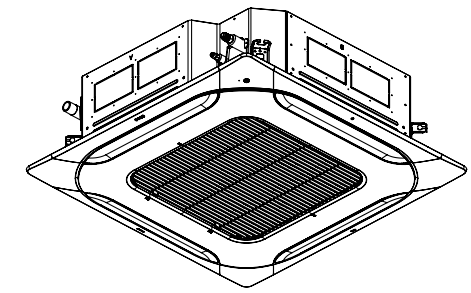
VIEW A  
Fresh Air Intake Hole



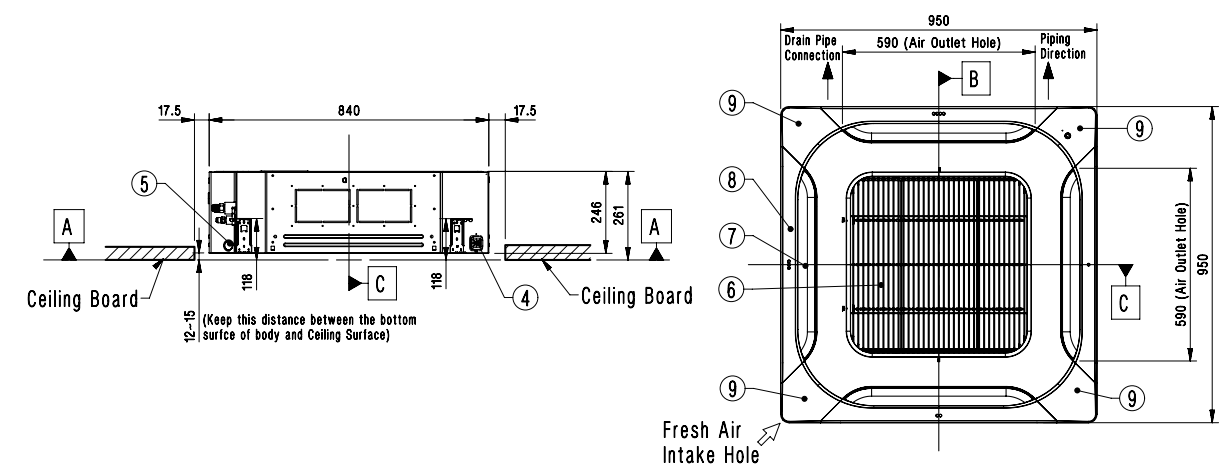
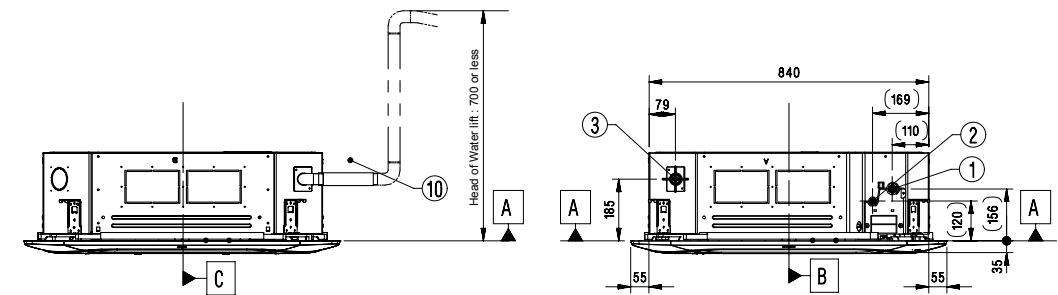
ZTNQ30GNLE0 / ZTNQ36GNLA0 / ZTNQ36LNLA0

(Unit : mm)

PART NAME	
1	Gas Pipe Connection
2	Liquid Pipe Connection
3	Drain Pipe Connection
4	Power and Communication Cable Wire Routing Hole
5	Wired Remote Controller Wire Routing Hole
6	Air Inlet
7	Air Outlet
8	Decoration Panel (Accessory)
9	Decoration Corner Cover
10	Flexible Drain Hose
11	Fresh air Intake Hole

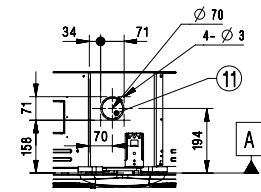
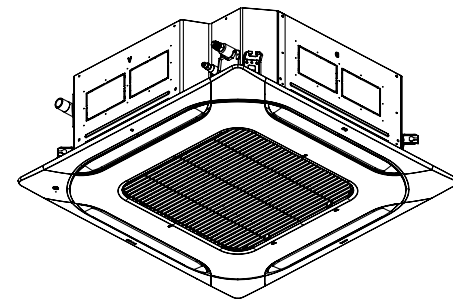


View A  
Fresh Air Intake hole

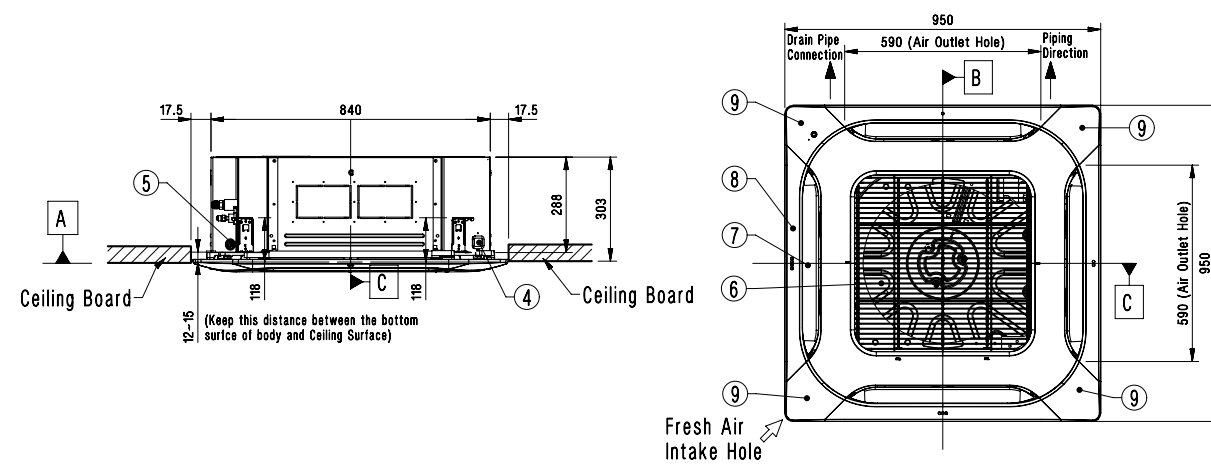
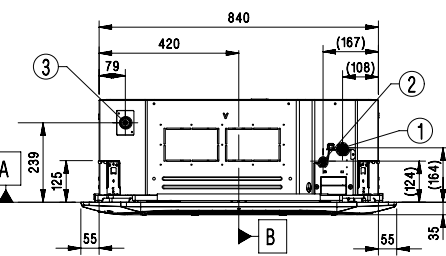
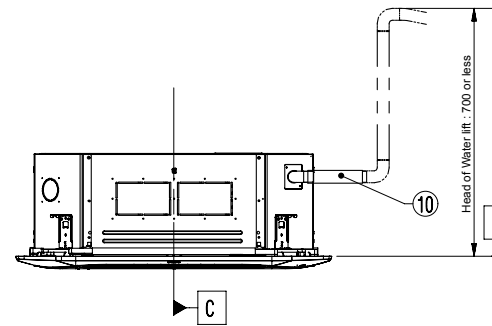
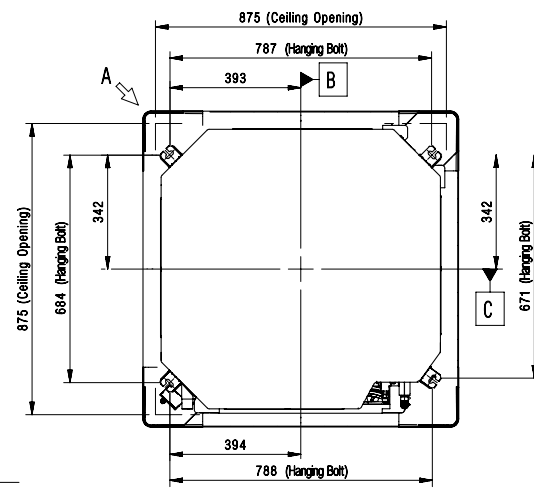


(Unit : mm)

PART NAME	
1	Gas Pipe Connection
2	Liquid Pipe Connection
3	Drain Pipe Connection
4	Power and Communication Cable Wire Routing Hole
5	Wired Remote Controller Wire Routing Hole
6	Air Inlet
7	Air Outlet
8	Decoration Panel (Accessory)
9	Decoration Corner Cover
10	Flexible Drain Hose
11	Fresh air Intake Hole



View A  
Fresh Air Intake hole



# CEILING MOUNTED CASSETTE 1 WAY



## Reddot Award Winning Design

Compact and Round shaped Panel brings excellent fit to ceiling.

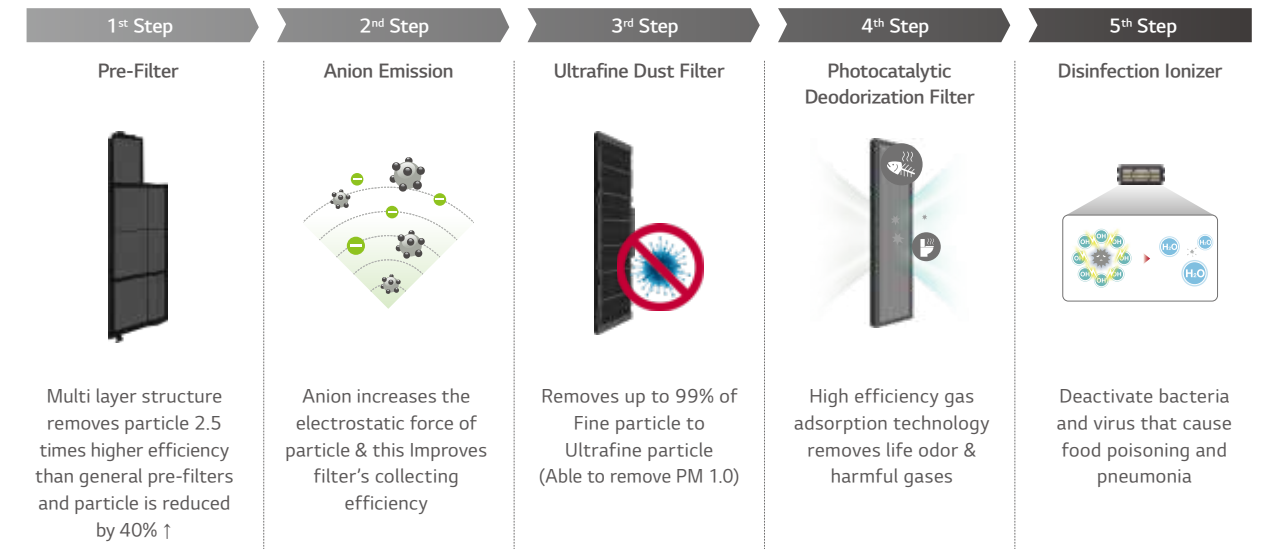


reddot award winner



## Air Conditioner and Air Purifier in One

5-Steps air cleaning process removes invisible, Ultrafine dust, odor and germs to ensure a clean and healthy living environment.



\* To use Air purification function, must use applicable Panel (PT-UPHG0 or PT-TPHG0) with Air purification kit (PTAHTP0)

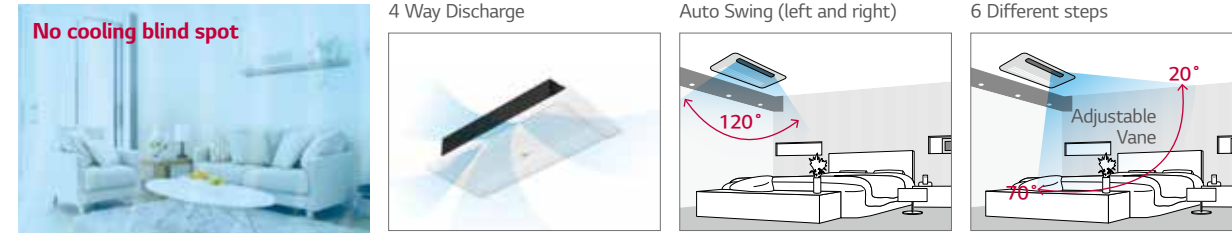


## Comfort Air

Two vane angles can be controlled in 6 steps from 20° to 70°, depending on the indoor environment and personal preference.

### Automatic 4 Way Wind Direction

The wind is discharged evenly up, down, left, and right automatically, so there is no cooling blind spot.



### Direct & Indirect Wind



#### Comfort indirect wind

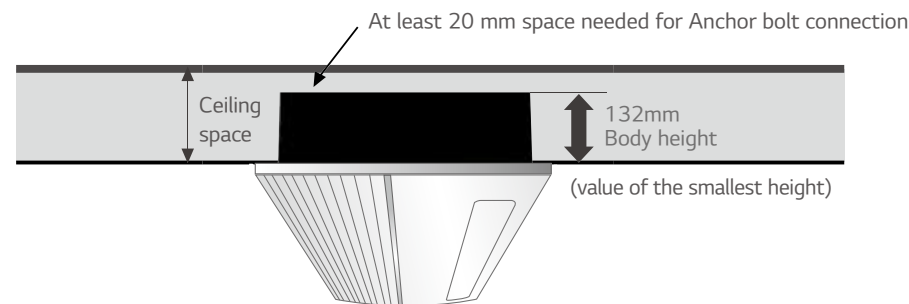
Without blowing directly at people in the room, the space is comfortable!

#### Cool direct wind

Cooler on a hot day.

## Slim & Compact Indoor Unit

Slim indoor provides flexibility of installation in the narrow ceiling space.



SET CONDITION		Btu/h	10,5K	18K	22K
Power Supply	V, Ø, Hz		220-240, 1, 50/60	220-240, 1, 50/60	220-240, 1, 50/60
Cooling Capacity	Btu/h	Max / Rated / Min	12,290 / 10,500 / 4,680	19,460 / 18,000 / 7,000	25,940 / 22,000 / 6,760
	kW	Max / Rated / Min	3.60 / 3.075 / 1.37	5.70 / 5.27 / 2.05	7.6 / 6.45 / 1.98
Power Input	Rated	kW	0.87	1.64	2.19
Running Current	Rated	A	3.95	7.5	10
EER		w/w	3.54	3.22	2.94

INDOOR UNIT				ZTNQ12GULA0	ZTNQ18GTLA0	ZTNQ24GTLA0
Power Supply	V, Ø, Hz			220-240, 1, 50/60	220-240, 1, 50/60	220-240, 1, 50/60
Dimensions	Body	W x H x D	mm	860 x 132 x 450	1,180 x 132 x 450	1,180 x 132 x 450
	Shipping	W x H x D	mm	1,125 x 252 x 538	1,445 x 252 x 538	1,445 x 252 x 538
Weight	Body	kg		11.7	14.5	14.5
	Shipping	kg		14.4	17.9	17.9
Fan Type			Cross Flow Fan			
Air Flow Rate	SH / H / M / L	m³/min	- / 9.0 / 8.0 / 7.0	- / 16.0 / 14.0 / 12.0	- / 16.0 / 14.0 / 12.0	
Fan Motor	Type			BLDC	BLDC	BLDC
	Output	W x No.	30 x 1			
Sound Pressure Level	Cooling	SH / H / M / L	dB(A)	- / 37 / 36 / 33	- / 46 / 43 / 39	- / 46 / 43 / 39
	Liquid Side	mm(inch)		Ø6.35 (1/4)	Ø6.35 (1/4)	Ø9.52 (3/8)
Piping Connections	Gas Side	mm(inch)		Ø9.52 (3/8)	Ø12.7 (1/2)	Ø15.88 (5/8)
	Drain Pipe	(O.D. / I.D.)	mm	Ø32.0 / Ø25.0	Ø32.0 / Ø25.0	Ø32.0 / Ø25.0
Decoration Panel*	Model Name			PT-UAHG0	PT-TAHG0	PT-TAHG0
	Casing Color			White	White	White
	Dimensions	W x H x D	mm	1,160 x 34 x 500	1,480 x 34 x 500	1,480 x 34 x 500
	Net Weight	kg		3.9	4.8	4.8

\* To use Air Purification function, Need Air Purification panel (PT-UPHG0, PT-TPHG0) & Air Purification kit (PTAHTP0) & Wired remote (PREMTB100) / All optional

OUTDOOR UNIT				ZUAA1	ZUAB1	ZUAC1
Power Supply	V, Ø, Hz			220-240, 1, 50/60	220-240, 1, 50/60	220-240, 1, 50/60
Dimensions	W x H x D	mm		717 x 483 x 230	770 x 545 x 288	870 x 650 x 330
Net Weight			kg	24.2	30.9	41.5
Compressor	Type			Twin Rotary	Twin Rotary	Twin Rotary
	Motor Type			BLDC	BLDC	BLDC
	Motor Output	W x No.	1,050 x 1			
Refrigerant	Type			R32	R32	R32
	Chargeless-Pipe Length	m		15	15	15
	Additional Charging Volume	g/m		15	15	30
Fan	Type			Axial Fan	Axial Fan	Axial Fan
	Air Flow Rate	m³/min x No.	28 x 1			
Fan Motor	Type			BLDC	BLDC	BLDC
	Output	W x No.	43.0 x 1			
Sound Pressure Level	Cooling	Rated	dB(A)	47	51	53
	Liquid	Outer Dia.	mm(inch)	Ø6.35 (1/4)	Ø6.35 (1/4)	Ø9.52 (3/8)
Piping Connections	Gas	Outer Dia.	mm(inch)	Ø9.52 (3/8)	Ø12.7 (1/2)	Ø15.88 (5/8)
	Piping Length	Min. / Max.	m	5 / 30	5 / 30	5 / 50
Max Height Difference	Outdoor - Indoor	Max.	m	15	20	30

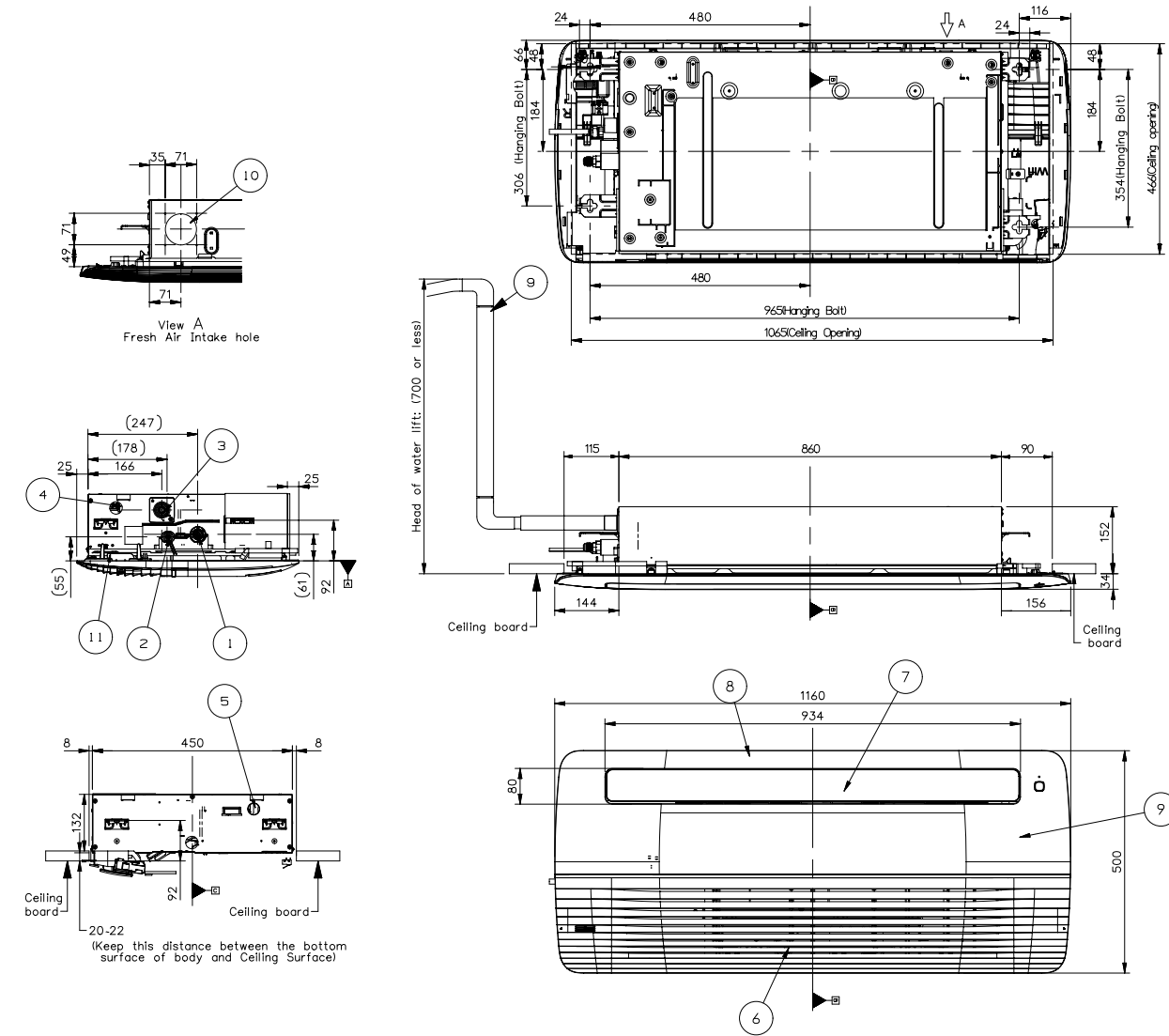


# CEILING MOUNTED CASSETTE 1 WAY

ZTNQ12GULA0

(Unit : mm)

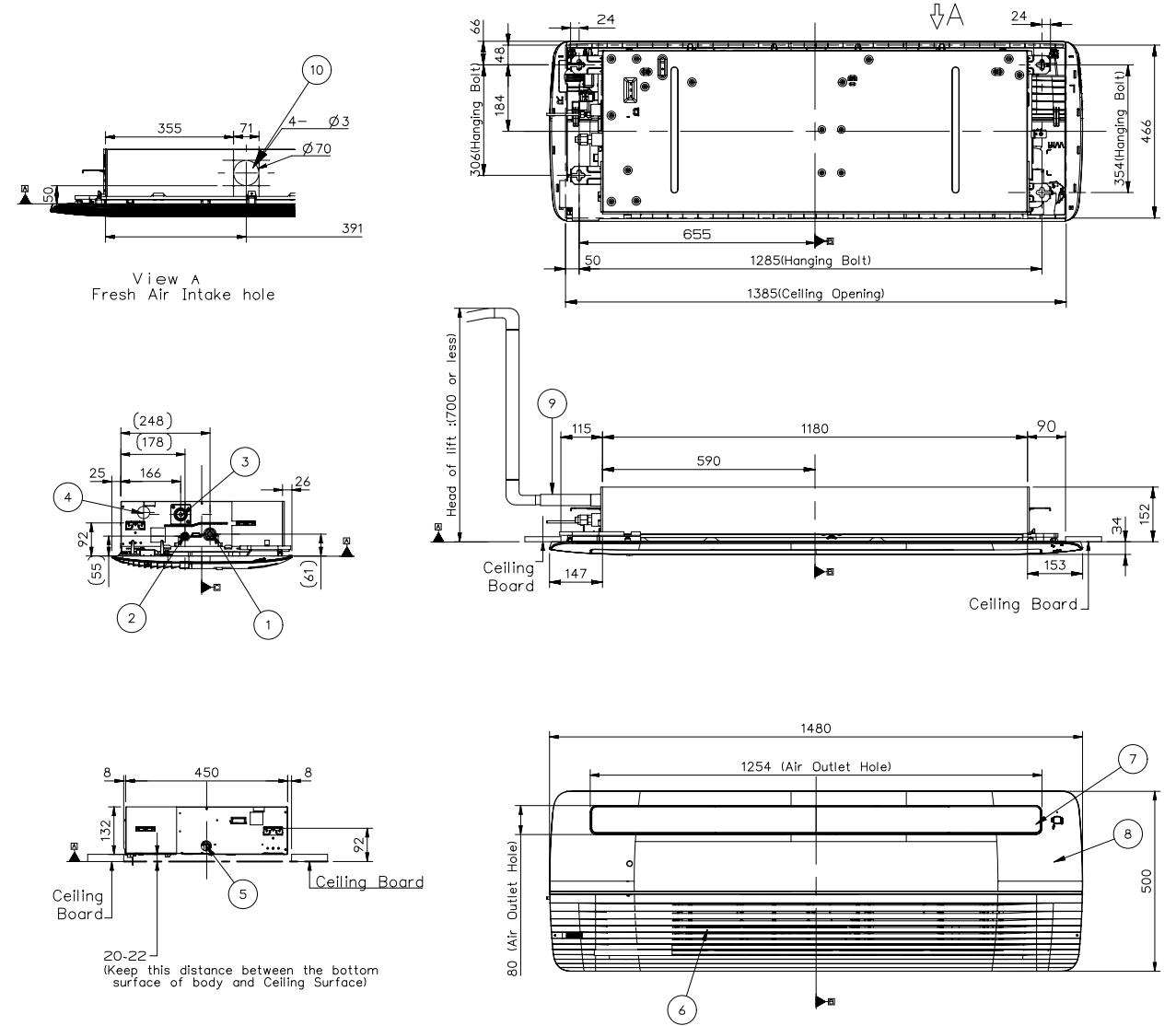
PART NAME	
1	Gas Pipe Connection
2	Liquid Pipe Connection
3	Drain Pipe Connection
4	Power and Communication Cable Routing Hole
5	Wired Remote Controller Wire Routing Hole
6	Air Inlet
7	Air Outlet
8	Decoration Panel (Accessory)
9	Flexible Drain Hose
10	Fresh air Intake Hole
11	Air Purifier Kit



ZTNQ18GTLA0 / ZTNQ24GTLA0

(Unit : mm)

PART NAME	
1	Gas Pipe Connection
2	Liquid Pipe Connection
3	Drain Pipe Connection
4	Power and Communication Cable Wire Routing Hole
5	Wired Remote Controller Wire Routing Hole
6	Air Inlet
7	Air Outlet
8	Decoration Panel (Accessory)
9	Flexible Drain Hose
10	Fresh air Intake Hole



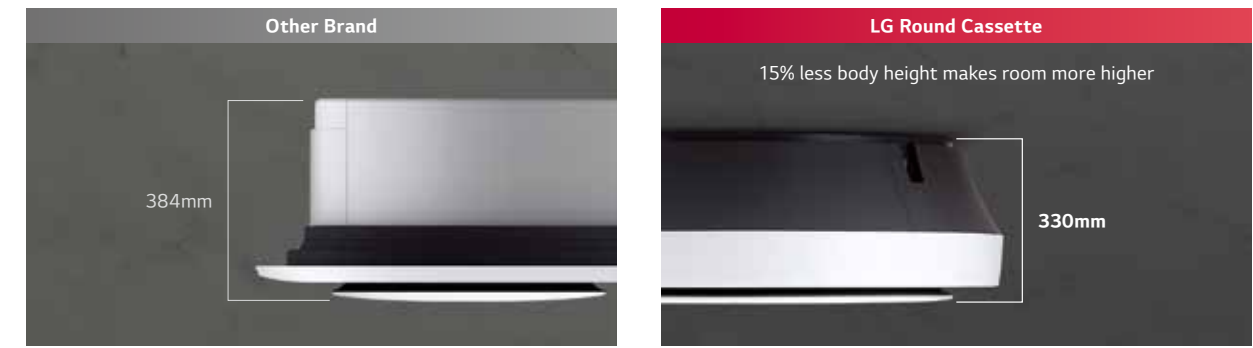
# CEILING MOUNTED CASSETTE 1 WAY

# ROUND CASSETTE



## Slim and Compact Design

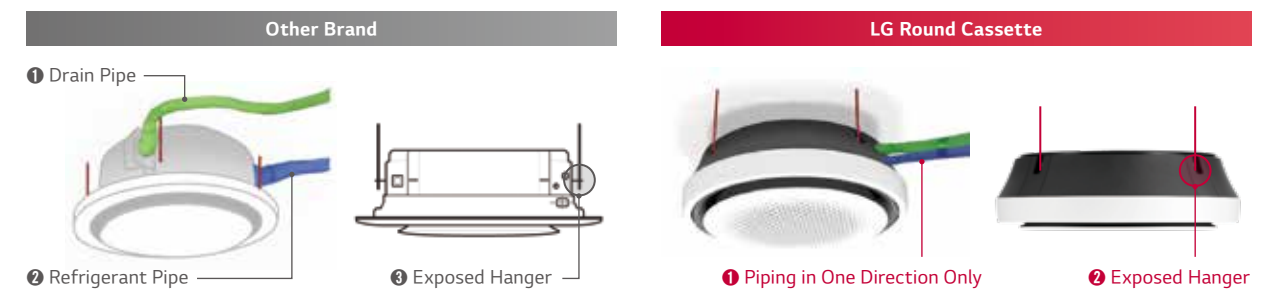
The LG Round Cassette's compact design makes the space look more spacious and secure.



※ Product : 36kbtu / 47kbtu

## Minimal Exposure Design

LG Round Cassette hides clunky parts into a smooth surface to provide harmony and aesthetic.

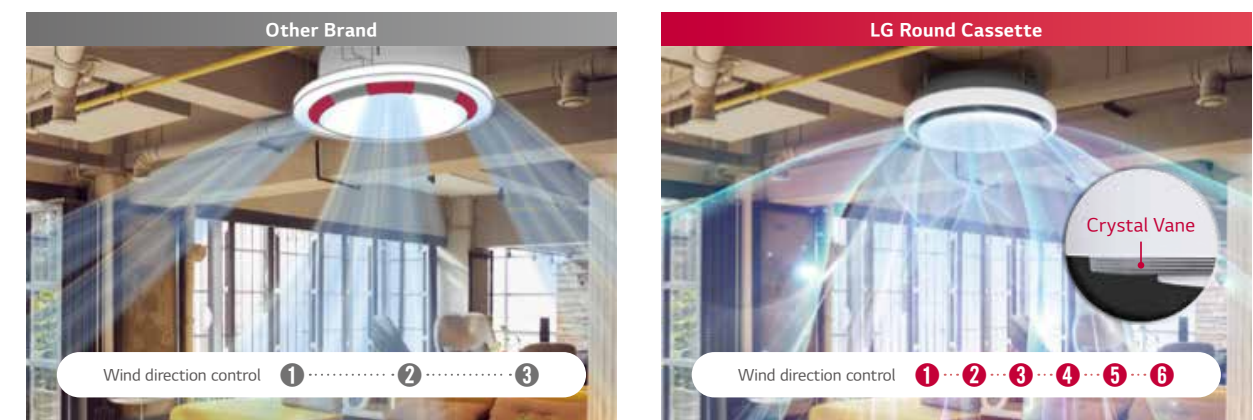


This air conditioning impresses with a sophisticated design and application concept that combines modern technology with a user-friendly operating comfort.

※ Red Dot Design Award : World's three major international design competitions, German Design Association (2019)  
PIN UP Design Award : Korea Industrial Designers Association (Ministry of Trade, Industry and Energy) (2018)

## 6-Step Vane Control

Crystal vane allows for 6-step precision control for cool and warm airflow in every direction.





## Round Airflow

Round airflow without blind spots and 4 vanes can be controlled individually.



3 Way airflow with blind spot.

Circular airflow without blind spots.

## Quiet Operation

LG Round cassette makes the space quieter.

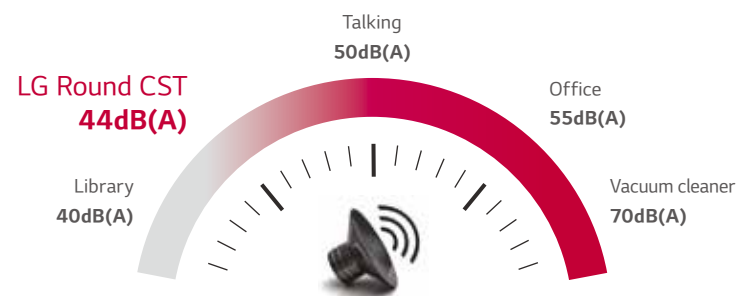
### Sound Pressure



Library  
Noise level 40dB(A)

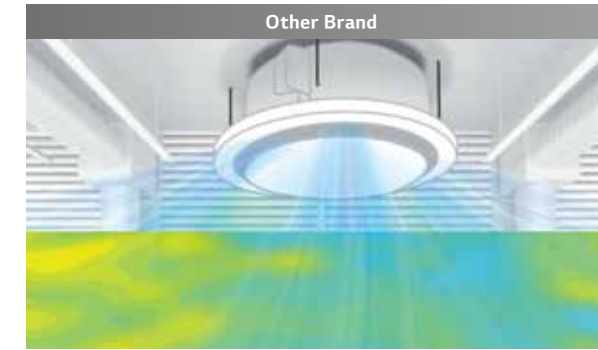


Normal communication  
Noise level 50dB(A)



## Faster in Cooling

Larger airflow rate, cooling rate is 30% faster the competition.



Set temperature reach time 18 minutes (Height 1.1m)



Set temperature reach time 12 minutes (Height 1.1m)

※ Based on test results from LG chamber, this image is designed to help customers understand.

Experimental environment : height 3.2m, cooling mode, high flow rate, horizontal air flow direction, initial temperature :33°C, setting temperature 26°C

## Outside Control Box

The control box is located on the side for comfortable wiring and installation.



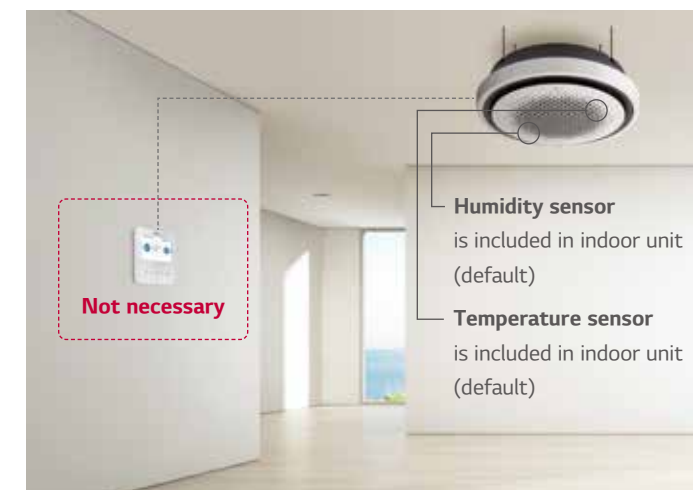
Inconvenient installation  
Inside control box / hard to installation



Convenient installation  
Outside control box / easy to installation

## Embedded Humidity Sensor

Humidity sensor is included as standard, so comfort cooling function is possible without separate wired remote controller.



### Simple Setting

- Press the 'Function' button repeatedly until 'comfort cooling icon' displayed



- Press the 'Set' button





# Air Purification Kit & Panel

Air purification function purify indoor air by 3 phase filter. And each filter can be reused just by washing without replacement. Also, it is easy to check air quality status with several devices.

## How It Works



※ Air purification kit is optional. Electrical diffusion makes dust electrification.

※ Normally HEPA filter type must be replaced regularly. It means that it costs expensive for maintenance.

## Certified Air Purifying Performance



### Indoor Air Cleaning

Removed **99.9% of ultra-fine dusts**  
(size 50nm, 100nm)

## Smart Indicator

It is possible to monitor the indoor air quality via remote controller, IDU's LED or remotely using a Wi-Fi module through Smart phone.



※ Air Quality Index Table (LG Standard)

Classification	Good	Moderate	Unhealthy	Poor
PM10 (µg/m <sup>3</sup> )	0 ~ 54	55 ~ 154	155 ~ 254	255 ~
PM2.5 (µg/m <sup>3</sup> )	0 ~ 12	13 ~ 35	36 ~ 55	56 ~
PM1.0 (µg/m <sup>3</sup> )	0 ~ 12	13 ~ 35	36 ~ 55	56 ~



SET CONDITION		Btu/h	36K	46,5K
Power Supply	V, Ø, Hz		220-240, 1, 50/60	220-240, 1, 50/60
Cooling Capacity	Btu/h	Max / Rated / Min	40,000 / 36,000 / 12,980	48,950 / 46,500 / 13,800
	kW	Max / Rated / Min	11.71 / 10.54 / 3.8	14.33 / 13.61 / 4.05
Power Input	Rated	kW	3.09	4.75
Running Current	Rated	A	14.1	21.6
EER		w/w	3.41	2.87

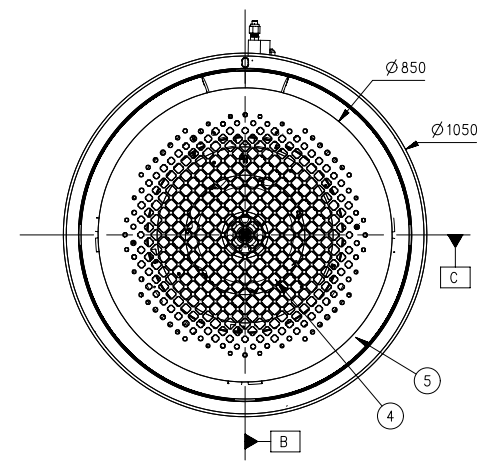
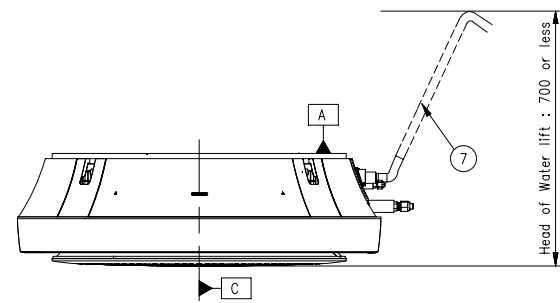
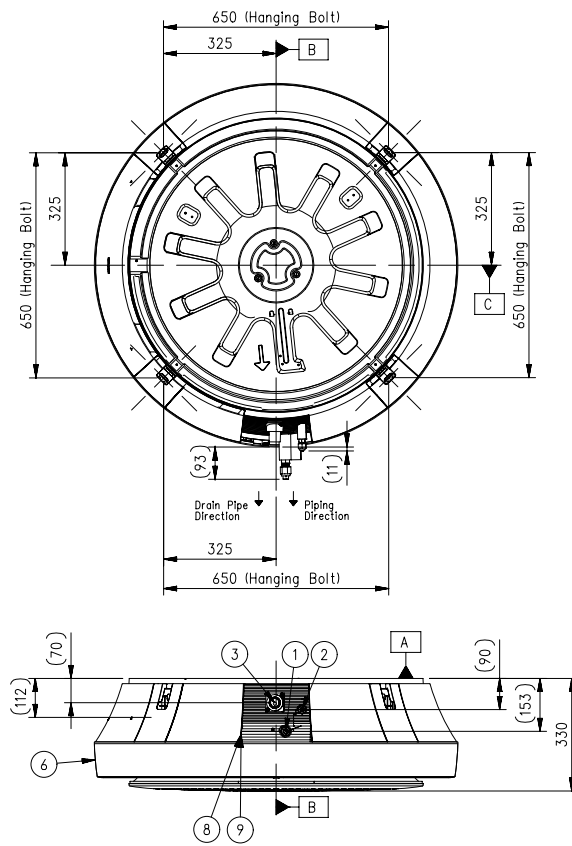
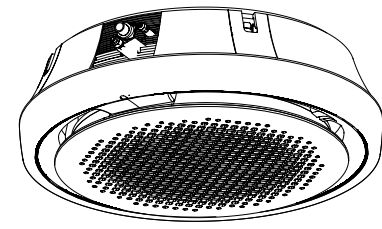
INDOOR UNIT			ZTNQ36GYLA0	ZTNQ48GYLA0
Power Supply	V, Ø, Hz		220-240, 1, 50/60	220-240, 1, 50/60
Dimensions	Body	W x H x D	mm	1,050 x 330 x 1,050
	Shipping	W x H x D	mm	1,137 x 395 x 1,132
Weight	Body	kg	30.0	30.0
	Shipping	kg	38.6	38.6
Fan Type			3D Turbo Fan	3D Turbo Fan
Air Flow Rate	SH / H / M / L	m <sup>3</sup> /min	- / 25.0 / 21.0 / 19.0	- / 29.0 / 25.0 / 21.0
Fan Motor	Type		BLDC	BLDC
	Output	W x No.	136 x 1	136 x 1
Sound Pressure Level	Cooling	SH / H / M / L	dB(A)	- / 44 / 40 / 38
				- / 47 / 44 / 40
Piping Connections	Liquid Side	mm(inch)	Ø9.52 (3/8)	Ø9.52 (3/8)
	Gas Side	mm(inch)	Ø15.88 (5/8)	Ø15.88 (5/8)
	Drain Pipe	(O.D. / I.D.)	mm(inch)	Ø32 (1-1/4) / Ø25 (31/32)

\* To use Air Purification function, Need Air Purification kit (PTAHYP0) & Wired remote (PREMTB100) / All optional

OUTDOOR UNIT			ZUAD1	ZUAD1
Power Supply	V, Ø, Hz		220-240, 1, 50/60	220-240, 1, 50/60
Dimensions	W x H x D	mm	950 x 834 x 330	950 x 834 x 330
Net Weight		kg	59.5	59.5
Compressor	Type	-	Twin Rotary	Twin Rotary
	Motor Type	-	BLDC	BLDC
Refrigerant	Motor Output	W x No.	4,000 x 1	4,000 x 1
	Type	-	R32	R32
Refrigerant	Chargeless-Pipe Length	m	15	15
	Additional Charging Volume	g/m	40	40
Fan	Type	-	Axial Fan	Axial Fan
	Air Flow Rate	m <sup>3</sup> /min x No.	60 X 1	60 X 1
Fan Motor	Type		BLDC	BLDC
	Output	W x No.	124.0 X 1	124.0 X 1
Sound Pressure Level	Cooling	Rated	dB(A)	55
Piping Connections	Liquid	Outer Dia.	mm(inch)	Ø9.52 (3/8)
	Gas	Outer Dia.	mm(inch)	Ø15.88 (5/8)
Piping Length	Min. / Max.	m	5 / 50	5 / 50
Max Height Difference	Outdoor - Indoor	Max.	m	30

(Unit : mm)

PART NAME	
1	Gas Pipe Connection
2	Liquid Pipe Connection
3	Drain Pipe Connection
4	Air Inlet
5	Air Outlet
6	Decor Panel Assembly
7	Flexible Drain Hose
8	Power and Communication Cable Routing Hole
9	Wired Remote Controller Wire Routing Hole

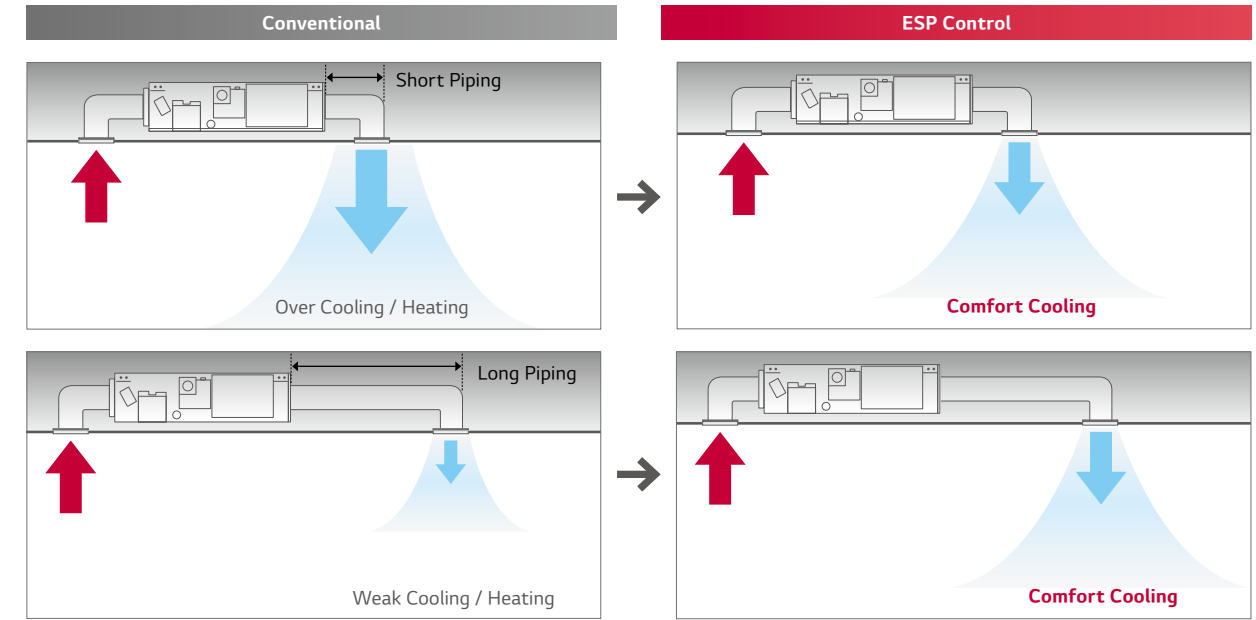


# CEILING CONCEALED DUCT



## External Static Pressure (ESP) Control

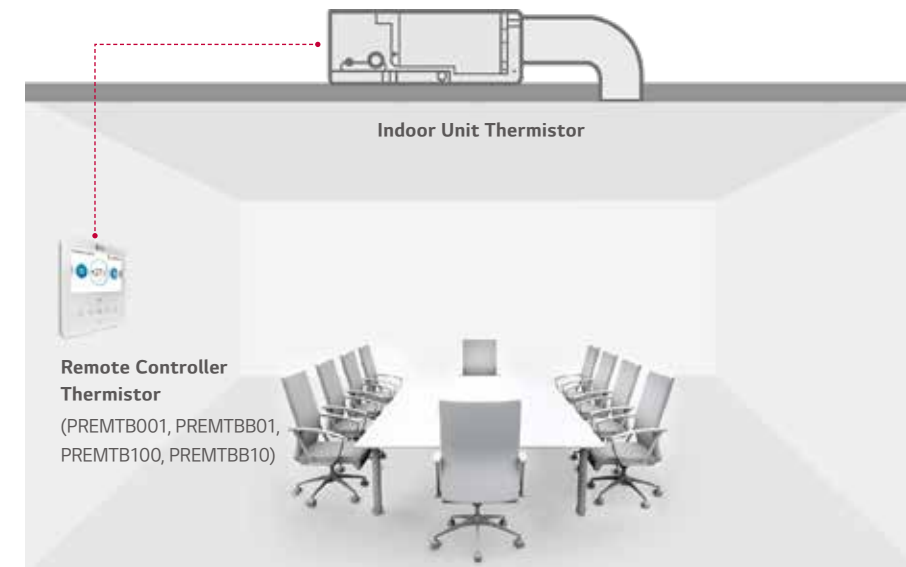
User has easy access to air volume selection via remote controller using the ESP control function. The BLDC motor can control fan speed and air volume. No additional accessories are necessary to control air flow.



CEILING CONCEALED DUCT

## Two Thermistors Control

The indoor temperature can be checked using the thermistors in the remote controller as well as from the indoor unit. There may be a significant difference between ceiling and floor air temperature. Two thermistors can optimize indoor air temperature for a more comfortable environment.

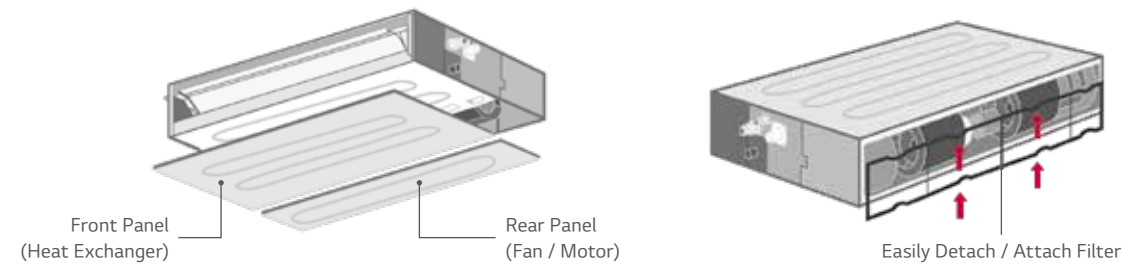


Compares temperatures sensed from different positions, and automatically selects the optimum temperature for users.



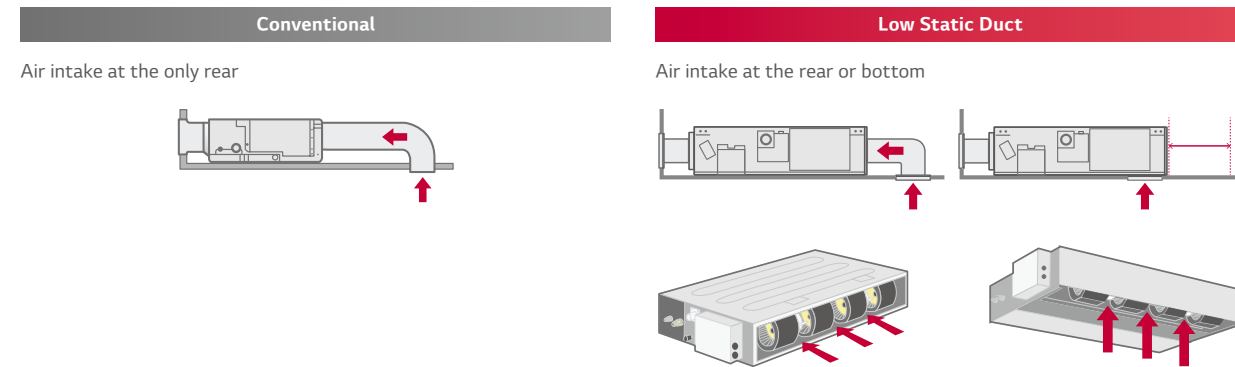
## Easy Service & Maintenance

Users are not required to disassemble the whole panel for maintenance; since panel is divided into 2 components; one for heat exchanger and the other for fan / motor. The user can easily detach and re-attach the filter in the available limited space.



## Flexible Installation (Low Static Pressure Model)

Standard Inverter low static duct allows the air intake at the rear or bottom under installation condition.



## [Low Static]



SET CONDITION		Btu/h	9K	12K	18K	24K
Power Supply	V, Ø, Hz		220-240, 1, 50/60	220-240, 1, 50/60	220-240, 1, 50/60	220-240, 1, 50/60
Cooling Capacity	Btu/h	Max / Rated / Min	10,900 / 9,000 / 4,260	13,200 / 12,000 / 4,960	20,500 / 18,000 / 4,800	27,000 / 24,000 / 6,480
	kW	Max / Rated / Min	3.19 / 2.64 / 1.25	3.87 / 3.51 / 1.45	6.01 / 5.27 / 1.4	7.91 / 7.03 / 1.9
Power Input	Rated	kW	0.75	1.03	1.64	2.07
Running Current	Rated	A	3.41	4.68	7.5	9.4
EER		w/w	3.52	3.41	3.22	3.40

INDOOR UNIT				ZBNQ09GL1A0	ZBNQ12GL2A0	ZBNQ18GL2A0	ZBNQ24GL3A0
Power Supply	V, Ø, Hz			220-240, 1, 50/60	220-240, 1, 50/60	220-240, 1, 50/60	220-240, 1, 50/60
Dimensions	Body	W x H x D	mm	700 x 190 x 700	900 x 190 x 700	900 x 190 x 700	1,100 x 190 x 700
	Shipping	W x H x D	mm	862 x 255 x 781	1,062 x 255 x 781	1,062 x 255 x 781	1,262 x 255 x 781
Weight	Body	kg		17.5	23.0	23.0	27.0
	Shipping	kg		20.5	28.0	28.0	31.0
Fan Type			Sirocco Fan		Sirocco Fan	Sirocco Fan	Sirocco Fan
Air Flow Rate	SH / H / M / L	m <sup>3</sup> /min	- / 9.0 / 7.0 / 5.5	- / 10.0 / 8.5 / 7.0	- / 15.0 / 12.5 / 10.0	- / 20.0 / 16.0 / 12.0	
External Static Pressure			Pa		20	40	40
Fan Motor	Type			BLDC		BLDC	BLDC
	Output	W x No.		19 x 1	19 x 1 + 5 x 1	19 x 1 + 5 x 1	19 x 2
Sound Pressure Level	Cooling	SH / H / M / L	dB(A)	- / 30 / 26 / 23	- / 31 / 28 / 27	- / 36 / 34 / 31	- / 39 / 35 / 32
	Liquid Side	mm(inch)		Ø6.35 (1/4)	Ø6.35 (1/4)	Ø6.35 (1/4)	Ø9.52 (3/8)
Piping Connections	Gas Side	mm(inch)		Ø9.52 (3/8)	Ø9.52 (3/8)	Ø12.7 (1/2)	Ø15.88 (5/8)
	Drain Pipe	(O.D. / I.D.)		mm	Ø32.0 / Ø25.0	Ø32.0 / Ø25.0	Ø32.0 / Ø25.0

OUTDOOR UNIT				ZUAA1	ZUAA1	ZUAB1	ZUAC1
Power Supply	V, Ø, Hz			220-240, 1, 50/60	220-240, 1, 50/60	220-240, 1, 50/60	220-240, 1, 50/60
Dimensions	W x H x D	mm		717 x 483 x 230	717 x 483 x 230	770 x 545 x 288	870 x 650 x 330
Net Weight			kg	24.2	24.2	30.9	41.5
Compressor	Type			Twin Rotary		Twin Rotary	Twin Rotary
	Motor Type			BLDC		BLDC	BLDC
	Motor Output	W x No.		1,050 x 1	1,050 x 1	1,500 x 1	1,500 x 1
Refrigerant	Type			R32		R32	R32
	Chargeless-Pipe Length	m		15	15	15	15
	Additional Charging Volume	g/m		15	15	15	30
Fan	Type			Axial Fan		Axial Fan	Axial Fan
	Air Flow Rate	m <sup>3</sup> /min x No.		28 x 1	28 x 1	50 x 1	50 x 1
Fan Motor	Type			BLDC		BLDC	BLDC
	Output	W x No.		43.0 x 1	43.0 x 1	43.0 x 1	85.0 x 1
Sound Pressure Level	Cooling	Rated	dB(A)	47	47	51	53
Piping Connections	Liquid	Outer Dia.	mm(inch)	Ø6.35 (1/4)	Ø6.35 (1/4)	Ø6.35 (1/4)	Ø9.52 (3/8)
	Gas	Outer Dia.	mm(inch)	Ø9.52 (3/8)	Ø9.52 (3/8)	Ø12.7 (1/2)	Ø15.88 (5/8)
Piping Length	Min. / Max.		m	5 / 30	5 / 30	5 / 30	5 / 50
Max Height Difference	Outdoor - Indoor	Max.	m	15	15	20	30

[Mid/High Static]



SET CONDITION		Btu/h	18K	24K	36K
Power Supply	V, Ø, Hz		220-240, 1, 50/60	220-240, 1, 50/60	220-240, 1, 50/60
Cooling Capacity	Btu/h	Max / Rated / Min	20,500 / 18,000 / 5,400	27,000 / 24,000 / 7,200	40,000 / 36,000 / 10,800
	kW	Max / Rated / Min	6.01 / 5.27 / 1.58	7.91 / 7.03 / 2.11	11.71 / 10.54 / 3.15
Power Input	Rated	kW	1.62	1.97	2.95
Running Current	Rated	A	7.4	9	13.4
EER		w/w	3.26	3.57	3.58

INDOOR UNIT				ZBNQ18GM1A0	ZBNQ24GM1A0	ZBNQ36GM3A0
Power Supply	V, Ø, Hz			220-240, 1, 50/60	220-240, 1, 50/60	220-240, 1, 50/60
Dimensions	Body	W x H x D	mm	900 x 270 x 700	900 x 270 x 700	1,250 x 360 x 700
	Shipping	W x H x D	mm	1,100 x 338 x 773	1,100 x 338 x 773	1,450 x 428 x 773
Weight	Body		kg	23.8	25.3	36
	Shipping		kg	28.9	30.3	42.5
Fan Type				Sirocco Fan	Sirocco Fan	Sirocco Fan
Air Flow Rate	SH / H / M / L	m³/min		- / 16.5 / 14.5 / 13.0	- / 18.0 / 16.5 / 14.0	- / 30.0 / 25.0 / 20.0
External Static Pressure		Pa		59	59	59
Fan Motor	Type			BLDC	BLDC	BLDC
	Output	W x No.		136.5 x 1	136.5 x 1	154 x 1
Sound Pressure Level	Cooling	SH / H / M / L	dB(A)	- / 34.0 / 32.0 / 30.0	- / 37 / 35 / 32	- / 36 / 33 / 31
	Liquid Side		mm(inch)	Ø6.35 (1/4)	Ø9.52 (3/8)	Ø9.52 (3/8)
Piping Connections	Gas Side		mm(inch)	Ø12.7 (1/2)	Ø15.88 (5/8)	Ø15.88 (5/8)
	Drain Pipe using pump	(O.D. / I.D.)	mm	Ø32.0 / Ø25.0	Ø32.0 / Ø25.0	Ø32.0 / Ø25.0

OUTDOOR UNIT				ZUAB1	ZUAC1	ZUAD1
Power Supply	V, Ø, Hz			220-240, 1, 50/60	220-240, 1, 50/60	220-240, 1, 50/60
Dimensions	W x H x D		mm	770 x 545 x 288	870 x 650 x 330	950 x 834 x 330
Net Weight			kg	30.9	41.5	59.5
Compressor	Type		-	Twin Rotary	Twin Rotary	Twin Rotary
	Motor Type		-	BLDC	BLDC	BLDC
	Motor Output	W x No.		1,500 x 1	1,500 x 1	4,000 x 1
Refrigerant	Type		-	R32	R32	R32
	Chargeless-Pipe Length		m	15	15	15
	Additional Charging Volume		g/m	15	30	30
Fan	Type		-	Axial Fan	Axial Fan	Axial Fan
	Air Flow Rate		m³/min x No.	50 x 1	50 x 1	60 X 1
Fan Motor	Type			BLDC	BLDC	BLDC
	Output	W x No.		43.0 x 1	85.0 x 1	124.0 X 1
Sound Pressure Level	Cooling	Rated	dB(A)	47	53	55
Piping Connections	Liquid	Outer Dia.	mm(inch)	Ø6.35 (1/4)	Ø9.52 (3/8)	Ø9.52 (3/8)
	Gas	Outer Dia.	mm(inch)	Ø12.7 (1/2)	Ø15.88 (5/8)	Ø15.88 (5/8)
Piping Length		Min. / Max.	m	5 / 30	5 / 50	5 / 50
Max Height Difference	Outdoor - Indoor	Max.	m	20	30	30

[Mid/High Static]



SET CONDITION		Btu/h	36K	46,5K	46,5K
Power Supply	V, Ø, Hz		380-415, 3, 50/60	220-240, 1, 50/60	380-415, 3, 50/60
Cooling Capacity	Btu/h	Max / Rated / Min	40,000 / 36,000 / 10,800	48,950 / 46,500 / 13,800	48,950 / 46,500 / 13,800
	kW	Max / Rated / Min	11.71 / 10.54 / 3.15	14.33 / 13.61 / 4.05	14.33 / 13.61 / 4.05
Power Input	Rated	kW	2.95	4.3	4.3
Running Current	Rated	A	4.1	19.6	6
EER		w/w	3.58	3.17	3.17

INDOOR UNIT				ZBNQ36LM3A0	ZBNQ48GM3A0	ZBNQ48LM3A0
Power Supply	V, Ø, Hz			220-240, 1, 50/60	220-240, 1, 50/60	220-240, 1, 50/60
Dimensions	Body	W x H x D	mm	1,250 x 360 x 700	1,250 x 360 x 700	1,250 x 360 x 700
	Shipping	W x H x D	mm	1,450 x 428 x 773	1,450 x 428 x 773	1,450 x 428 x 773
Weight	Body		kg	36	41	41
	Shipping		kg	42.5	47	47
Fan Type				Sirocco Fan	Sirocco Fan	Sirocco Fan
Air Flow Rate	SH / H / M / L	m³/min		- / 30.0 / 25.0 / 20.0	- / 40.0 / 34.0 / 28.0	- / 40.0 / 34.0 / 28.0
External Static Pressure		Pa		59	59	59
Fan Motor	Type			BLDC	BLDC	BLDC
	Output	W x No.		154 x 1	400 x 1	400 x 1
Sound Pressure Level	Cooling	SH / H / M / L	dB(A)	- / 36 / 33 / 31	- / 38 / 36 / 34	- / 38 / 36 / 34
	Liquid Side		mm(inch)	Ø9.52 (3/8)	Ø9.52 (3/8)	Ø9.52 (3/8)
Piping Connections	Gas Side		mm(inch)	Ø15.88 (5/8)	Ø15.88 (5/8)	Ø15.88 (5/8)
	Drain Pipe using pump	(O.D. / I.D.)	mm	Ø32.0 / Ø25.0	Ø32.0 / Ø25.0	Ø32.0 / Ø25.0

OUTDOOR UNIT				ZUAD3	ZUAD1	ZUAD3
Power Supply	V, Ø, Hz			380-415, 3, 50/60	220-240, 1, 50/60	380-415, 3, 50/60
Dimensions	W x H x D		mm	950 x 834 x 330	950 x 834 x 330	950 x 834 x 330
Net Weight			kg	60.8	59.5	60.8
Compressor	Type		-	Twin Rotary	Twin Rotary	Twin Rotary
	Motor Type		-	BLDC	BLDC	BLDC
	Motor Output	W x No.		4,000 x 1	4,000 x 1	4,000 x 1
Refrigerant	Type		-	R32	R32	R32
	Chargeless-Pipe Length		m	15	15	15
	Additional Charging Volume		g/m	30	30	30
Fan	Type		-	Axial Fan	Axial Fan	Axial Fan
	Air Flow Rate		m³/min x No.	60 x 1	60 X 1	60 x 1
Fan Motor	Type			BLDC	BLDC	BLDC
	Output	W x No.		124.0 x 1	124.0 X 1	124.0 x 1
Sound Pressure Level	Cooling	Rated	dB(A)	55	55	55
Piping Connections	Liquid	Outer Dia.	mm(inch)	Ø9.52 (3/8)	Ø9.52 (3/8)	Ø9.52 (3/8)
	Gas	Outer Dia.	mm(inch)	Ø15.88 (5/8)	Ø15.88 (5/8)	Ø15.88 (5/8)
Piping Length		Min. / Max.	m	5 / 50	5 / 50	5 / 50
Max Height Difference	Outdoor - Indoor	Max.	m	30	30	30

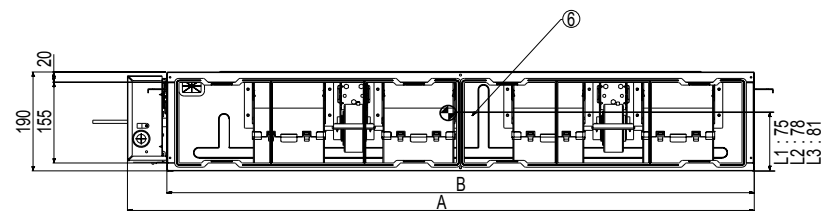
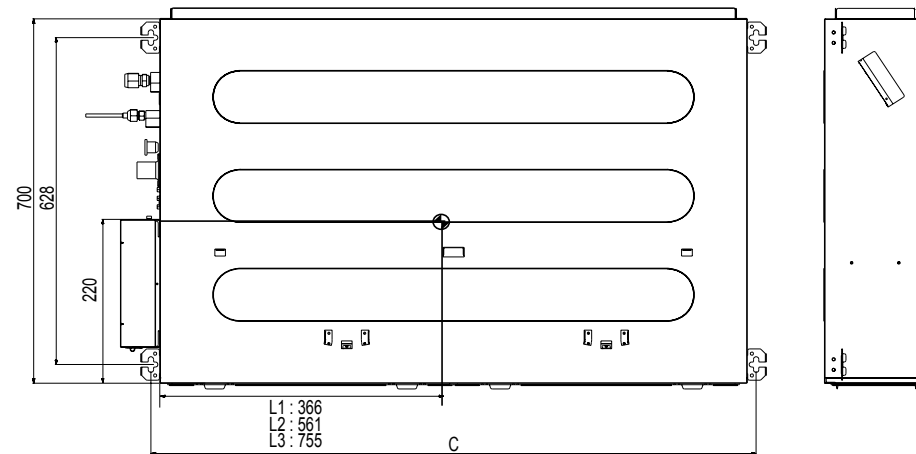
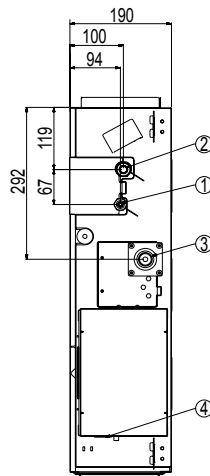
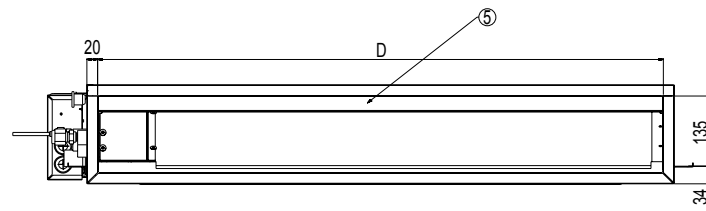
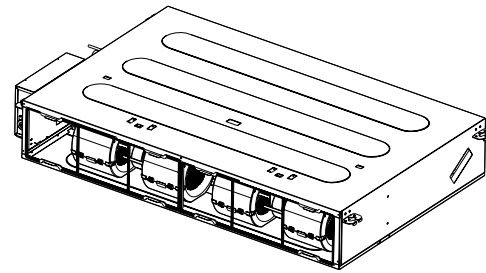
# CEILING CONCEALED DUCT

## ZBNQ09GL1A0

(Unit : mm)

	PART NAME
1	Liquid Pipe Connection
2	Gas pipe Connection
3	Drain pipe Connection
4	Power Supply Connection
5	Air Discharge
6	Air Suction

Chassis	A	B	C	D
L1	774	700	733	660
L2	974	900	933	860
L3	1,174	1,100	1,133	1,060

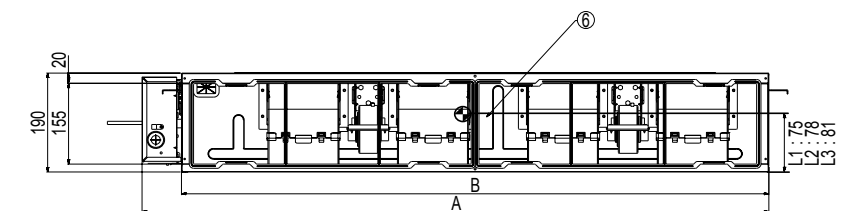
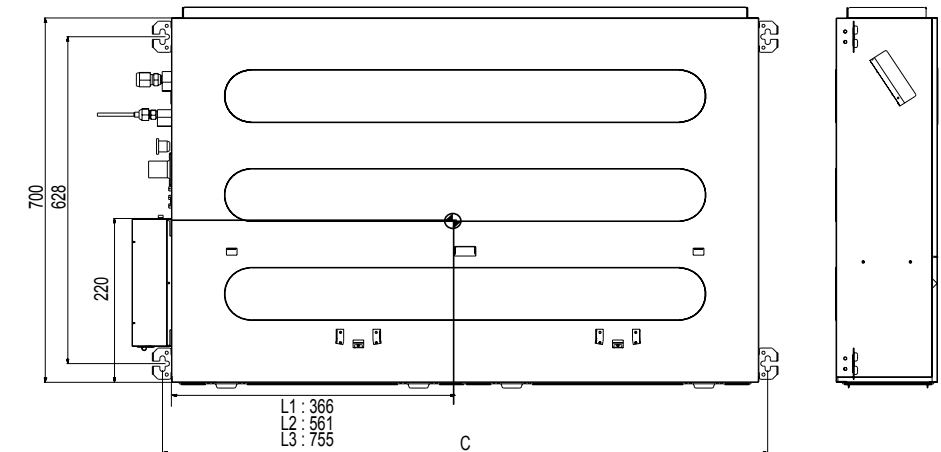
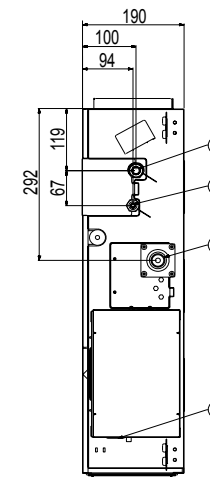
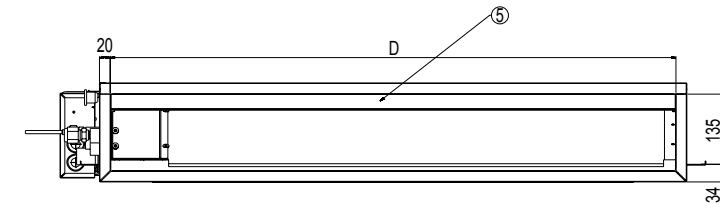
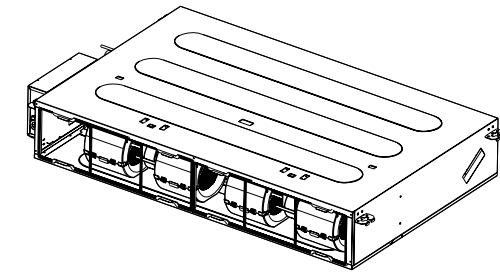


## ZBNQ12GL2A0 / ZBNQ18GL2A0

(Unit : mm)

	PART NAME
1	Liquid Pipe Connection
2	Gas pipe Connection
3	Drain pipe Connection
4	Power Supply Connection
5	Air Discharge
6	Air Suction

Chassis	A	B	C	D
L1	774	700	733	660
L2	974	900	933	860
L3	1,174	1,100	1,133	1,060



# CEILING CONCEALED DUCT

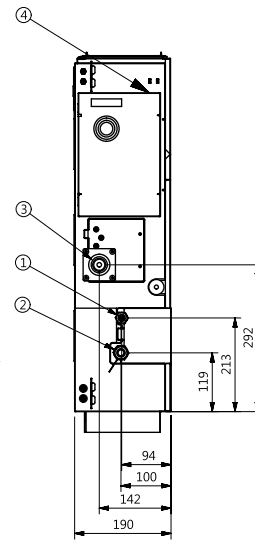
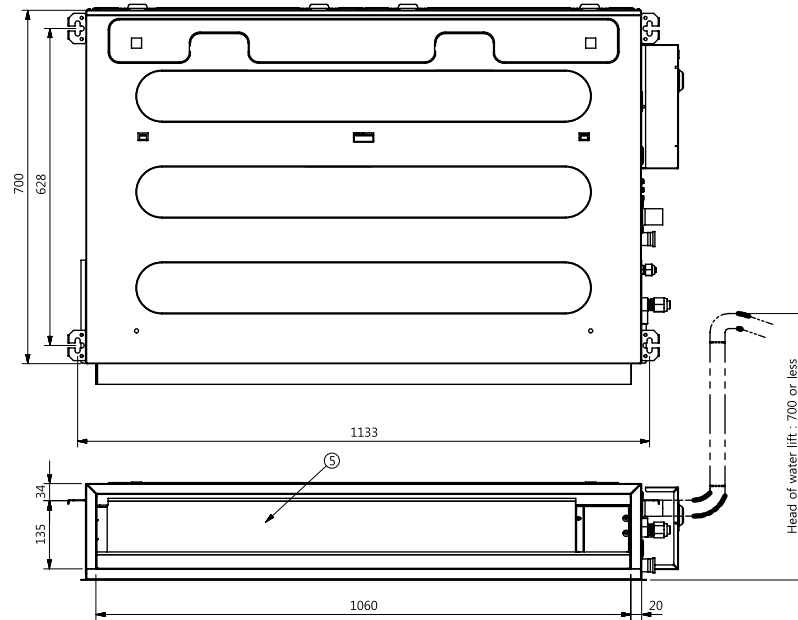
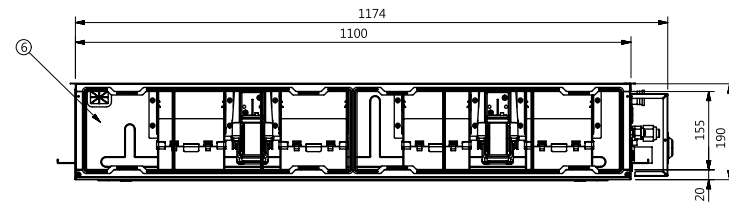
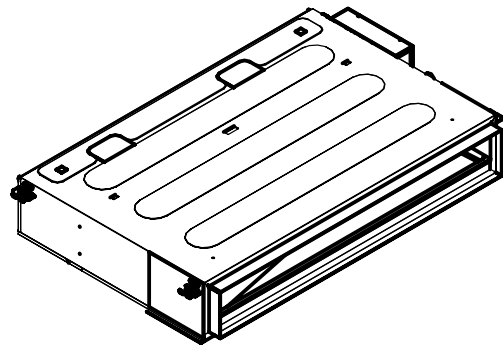


# CEILING CONCEALED DUCT

ZBNQ24GL3A0

(Unit : mm)

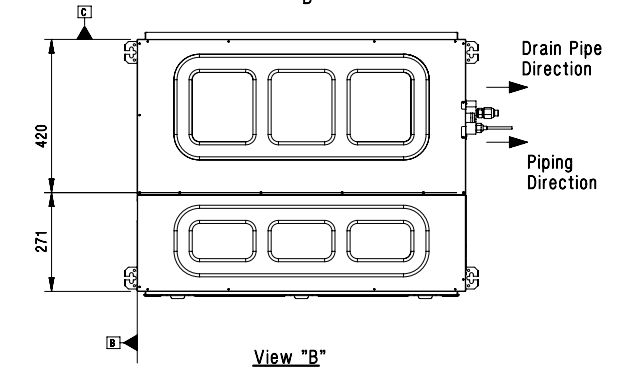
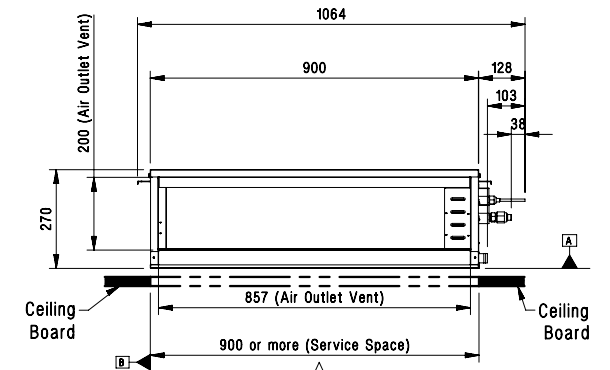
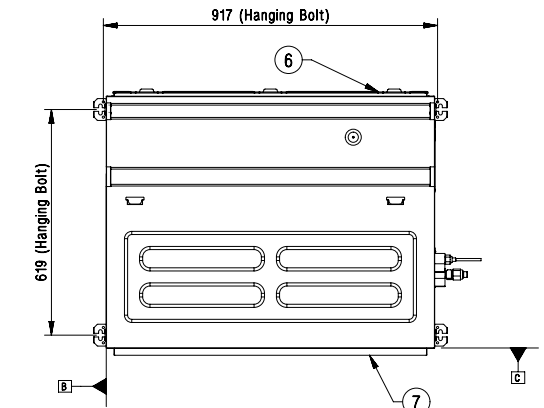
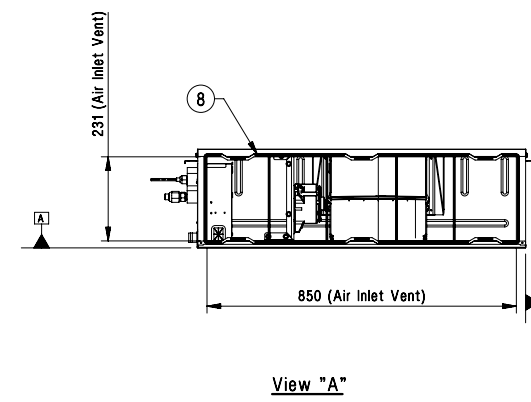
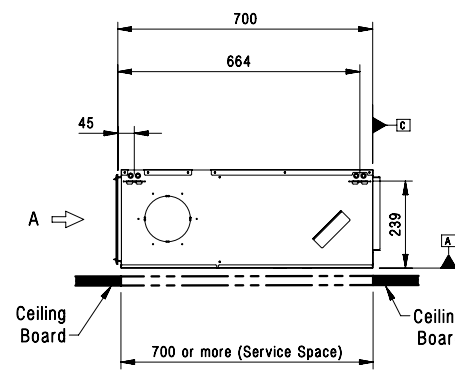
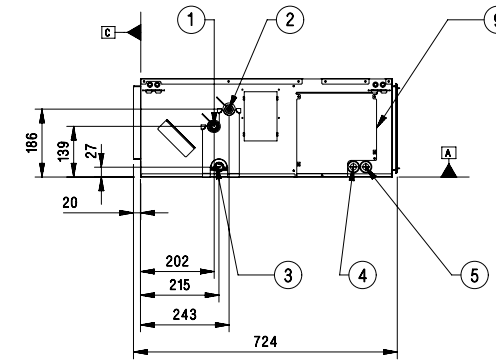
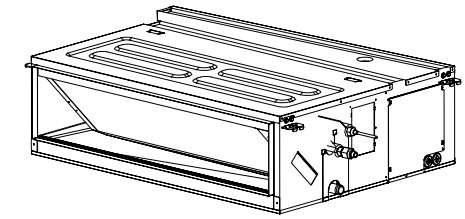
PART NAME	
1	Liquid Pipe Connection
2	Gas pipe Connection
3	Drain pipe Connection
4	Power Supply Connection
5	Air Discharge
6	Air Suction



ZBNQ18GM1A0 / ZBNQ24GM1A0

(Unit : mm)

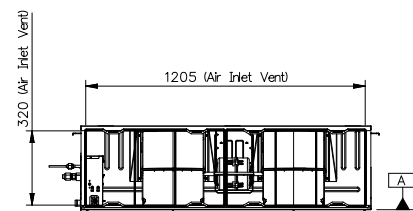
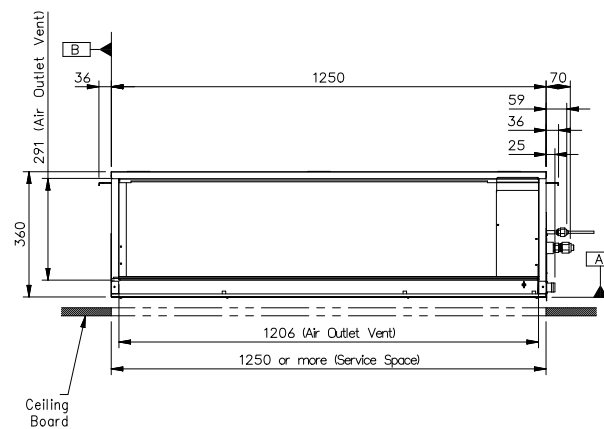
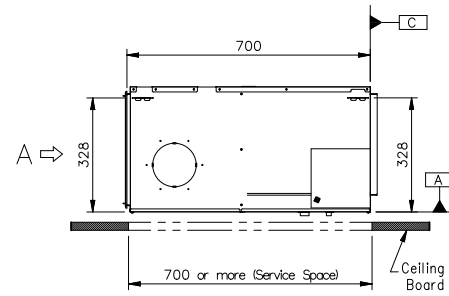
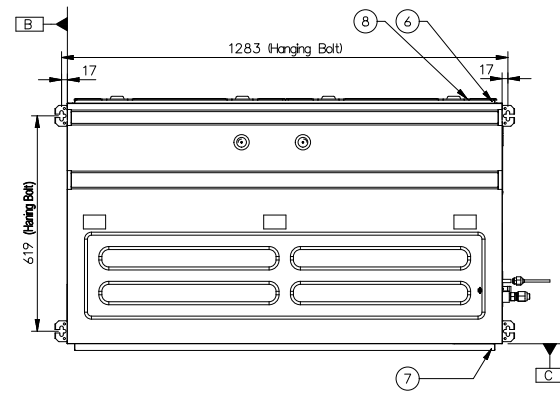
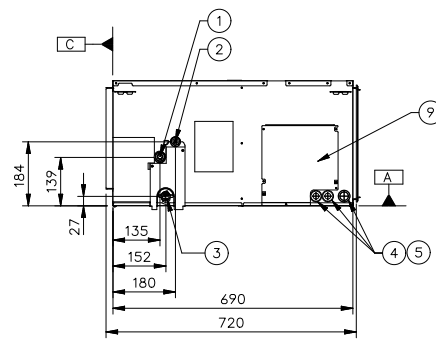
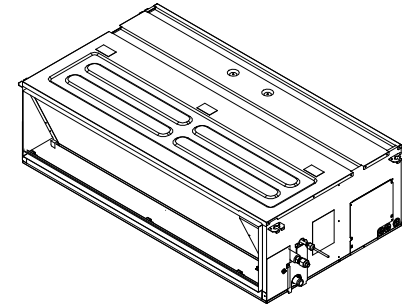
PART NAME	
1	Gas Pipe Connection
2	Liquid Pipe Connection
3	Drain Pipe Connection
4	Power and Communication Cable Routing Hole
5	Wired Remote Controller Wire Routing Hole
6	Air Inlet Vent
7	Air Outlet Vent
8	Air Fiter
9	Control Cover



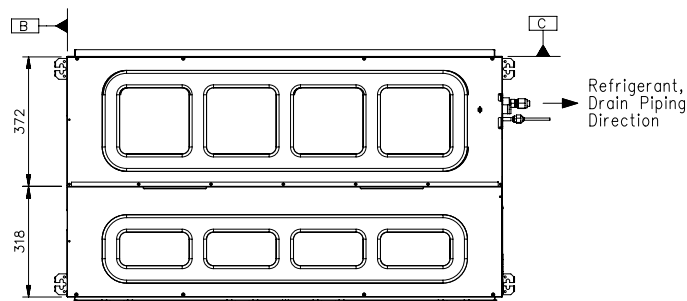
# CEILING CONCEALED DUCT

(Unit : mm)

PART NAME	
1	Gas Pipe Connection
2	Liquid Pipe Connection
3	Drain Pipe Connection
4	Power and Communication Cable Hole
5	Remote Controller Cable Hole
6	Air Inlet
7	Air Outlet
8	Air Fiter
9	Control Cover



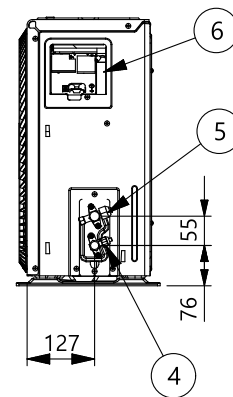
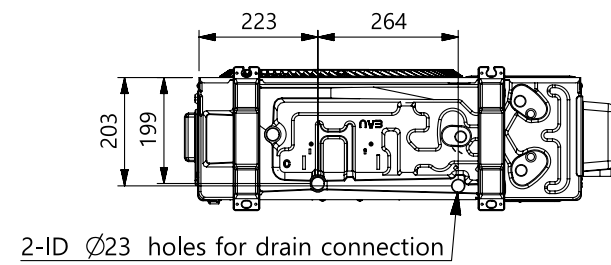
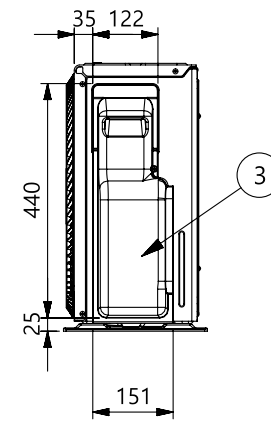
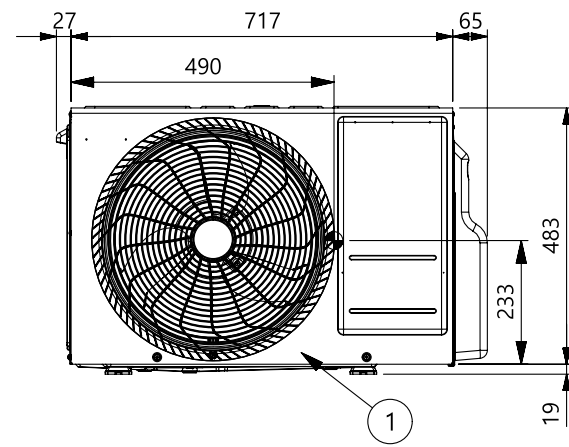
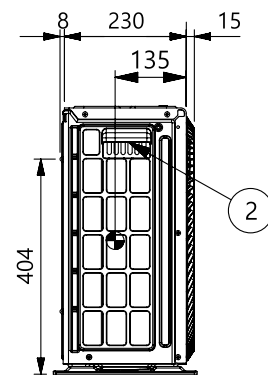
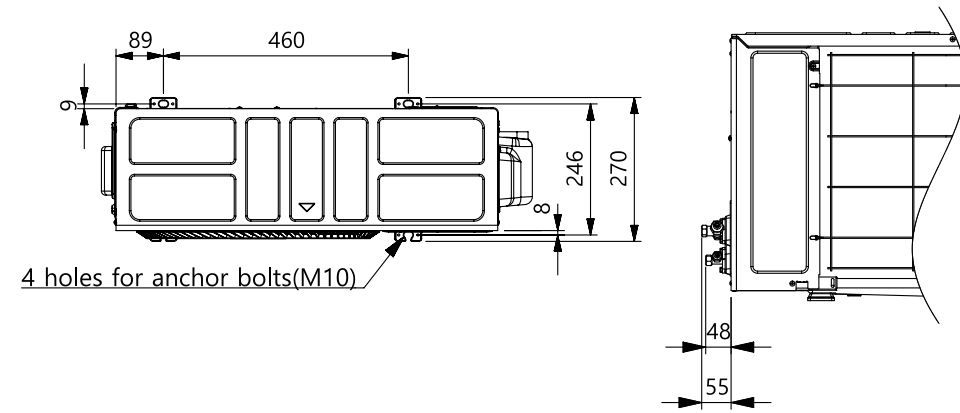
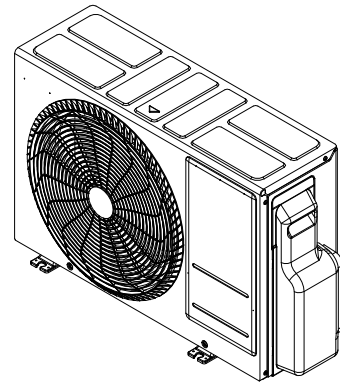
View "A"



ZUAA1

(Unit : mm)

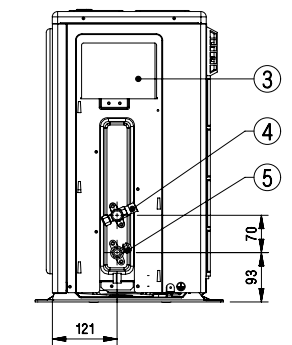
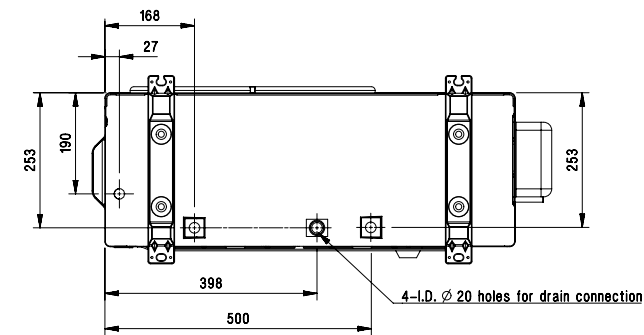
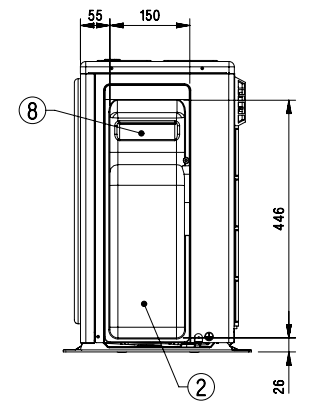
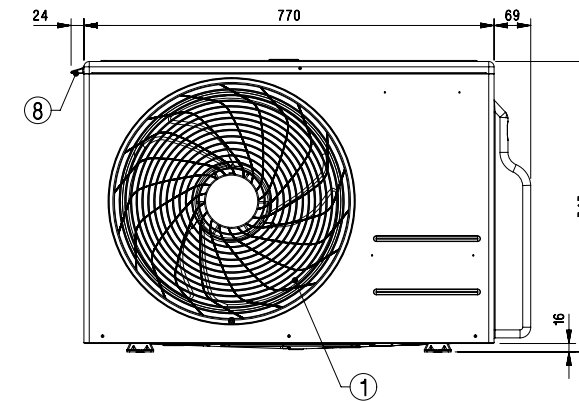
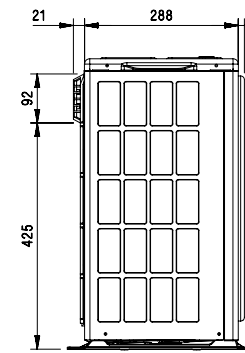
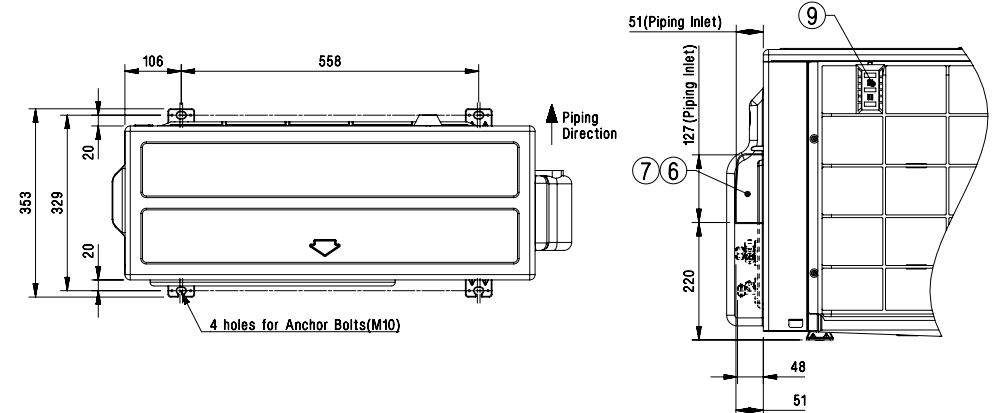
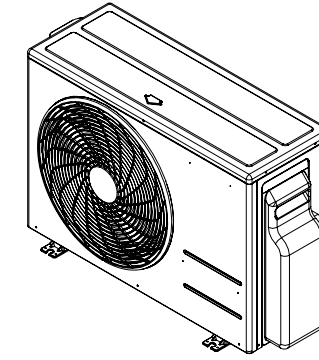
PART NAME	
1	Air Outlet
2	Handle
3	SVC Valve and Control Cover
4	Liquid Pipe Connection
5	Gas Pipe Connection
6	Power and Communication Cable Routing Hole



ZUAB1

(Unit : mm)

PART NAME	
1	Air Outlet
2	Control Cover & SVC Valve Cover
3	Power and Communication Cable Connection
4	Gas Pipe Connection
5	Liquid Pipe Connection
6	Power and Communication Cable Routing Hole
7	Refrigerant Pipe Routing Hole
8	Handle
9	Intake Air Temperature Sensor Cover



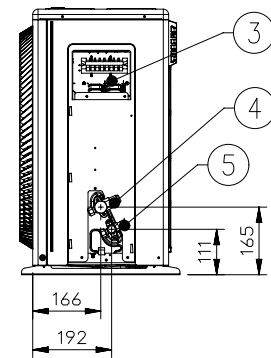
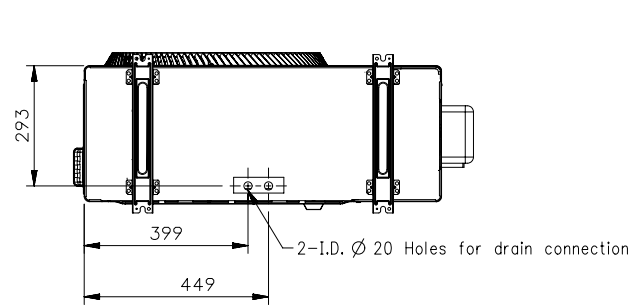
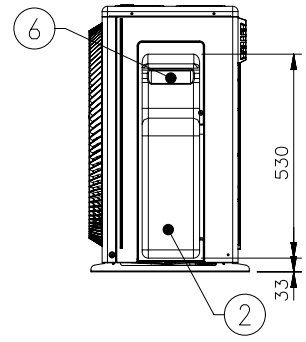
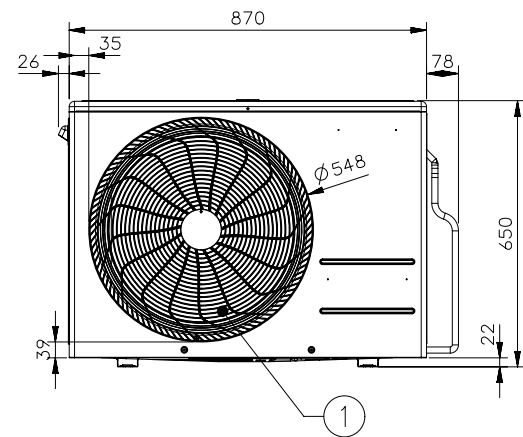
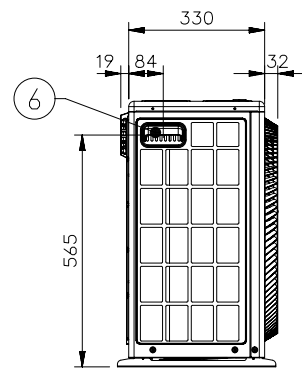
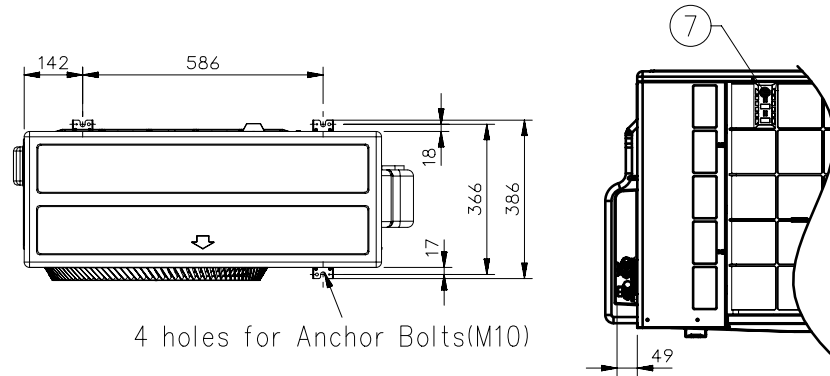
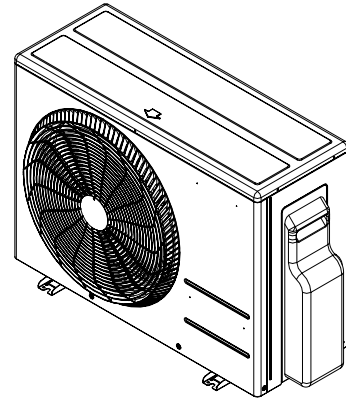
Side View (removed valve cover)



ZUAC1

(Unit : mm)

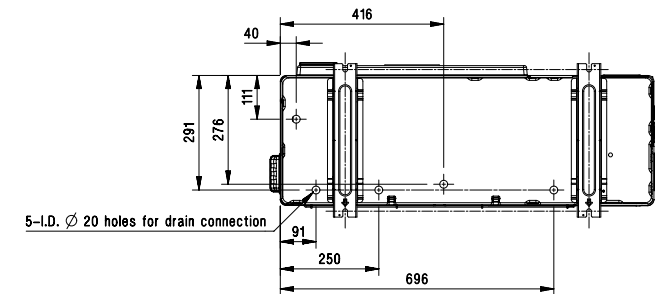
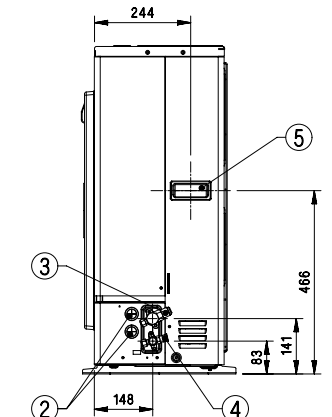
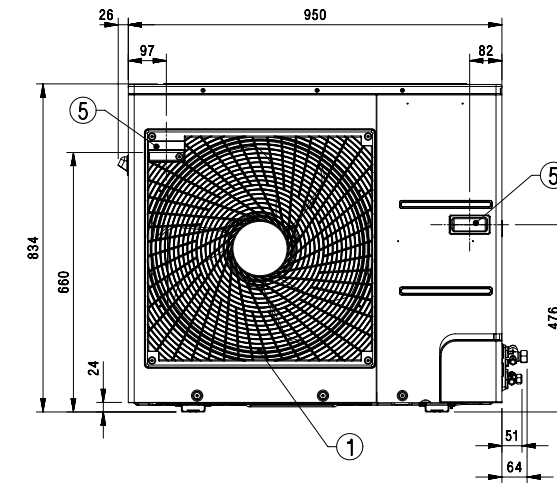
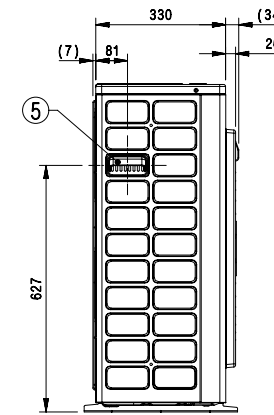
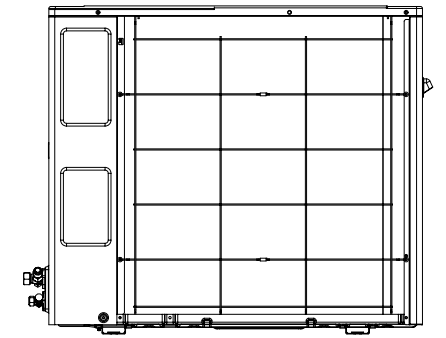
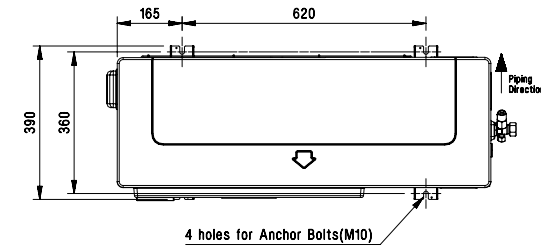
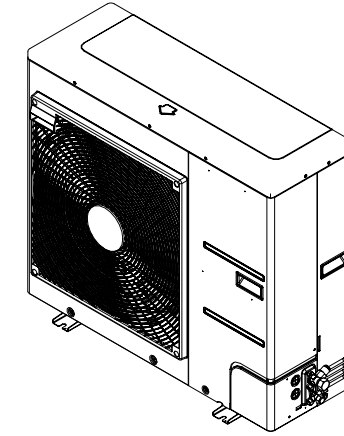
PART NAME	
1	Air Outlet
2	Control Cover & SVC Valve Cover
3	Power and Communication Cable Connection
4	Gas Pipe Connection
5	Liquid Pipe Connection
6	Handle
7	Intake Air Temperature Sensor Cover



ZUAD1 / ZUAD3

(Unit : mm)

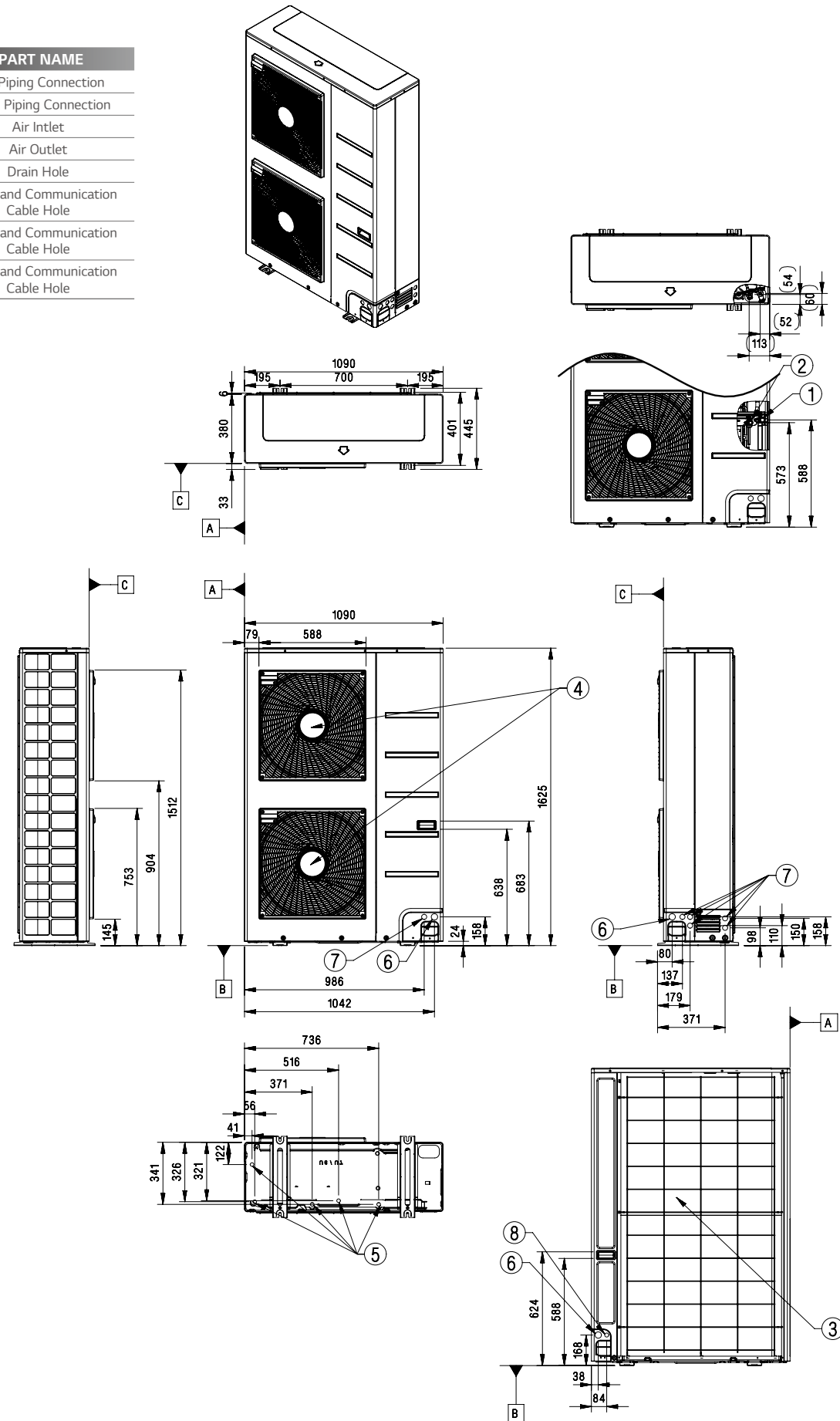
PART NAME	
1	Air Outlet
2	Power and Communication Cable Hole
3	Gas Pipe Connection
4	Liquid Pipe Connection
5	Handle



## APUQ100LFA0

(Unit : mm)

	PART NAME
1	Gas Piping Connection
2	Liquid Piping Connection
3	Air Inlet
4	Air Outlet
5	Drain Hole
6	Power and Communication Cable Hole
7	Power and Communication Cable Hole
8	Power and Communication Cable Hole



## APUQ150LNA0 / APUQ200LNA0

(Unit : mm)

	PART NAME
1	Pipe Routing Hole (Front)
2	Pipe Routing Hole (Side)
3	Wire Routing Hole (Front)
4	Wire Routing Hole (Side)
5	Power Cord Routing Hole (Front)
6	Pipe Routing Hole (Bottom)

