



For  
Various  
Fan Applications

# LG FAN BLDC MOTOR FOR HVAC



#### LG Electronics Component Solutions

4300 North Point Pkwy, Alpharetta, GA 30022

#### For more information

Visit <https://www.lg.com/global/business/compressor-motor>

E-mail [lg.compressors@lge.com](mailto:lg.compressors@lge.com)

For continual product development, LG reserves the right to change the specifications without notice.  
Copyright © 2023 LG Electronics Inc. All Rights Reserved.



# Fan BLDC Motor Highlight

## Why LG Fan BLDC Motor?

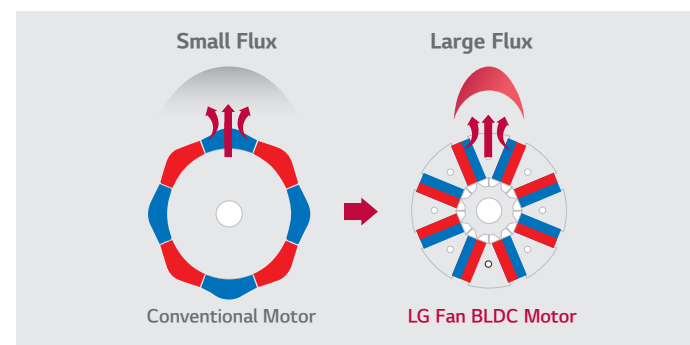
LG Fan BLDC Motor designs maximize their efficiency and torque at the same core size. With its optimal performance and various line-ups, LG Fan BLDC Motors are easy-to-use in any fan application.



## Features and Benefits

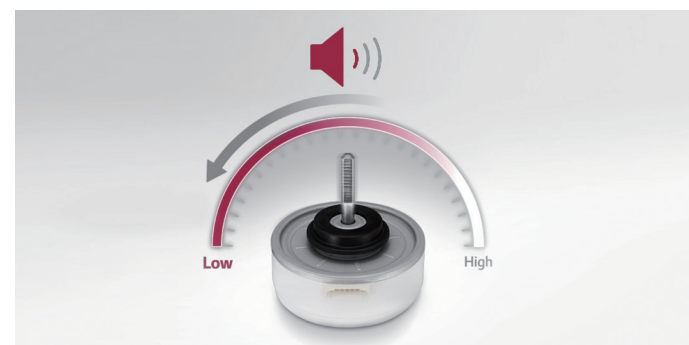
### High Performance Design

High efficiency by magnet flux concentration design



### Low Noise & Vibration

Reducing noise and vibration by structure molded

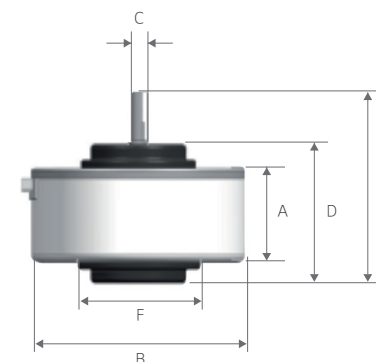


## Specification

Model	Application	Output [W]	Voltage [Vdc]	Current [A]	Speed [RPM]	Torque [kgf.cm]	Drive	Pulse	Insulation Class	Remark
ADB0030Y6M	Air Purifier	36.2	310	0.26	1,600	2.20	Built-in (Sensorless)	FG Signal (1Rotation/ 12 pulse)	Class E	
ADB0030Y7M	Fan Coil	32.5	310	0.21	1,700	1.85	Built-in (Sensor)		Class A	UL
ADB0030Y9M	Dish Washer	20.7	310	0.10	3,250	0.62	External		Class E	
ADB0030Y10M	Air Purifier / Air Conditioner	27.3	310	0.19	1,450	1.83	Built-in (Sensorless)		Class E	
ADB0030Y11M	Air Purifier / Air Conditioner	40.2	310	0.24	1,700	2.30	Built-in (Sensor)		Class B	UL
ADB0040Y5M	Air Purifier	40.8	310	0.27	1,190	3.33	Built-in (Sensorless)		Class E	CCC
ADB0040Y10M	Air Purifier	22.1	310	0.19	825	2.61	Built-in (Sensorless)		Class E	
ADB0040Y19M	Air Purifier / Air Conditioner	25.5	310	0.18	1,710	1.45	Built-in (Sensor)		Class E	
ADB0040Y23M	Air Purifier / Air Conditioner	39.9	310	0.31	1,200	3.23	Built-in (Sensor)		Class B	UL
ADB0055Y2M	Air Purifier	51.4	310	0.35	740	6.76	Built-in (Sensorless)		Class E	
ADB0055Y3M	Air Purifier / Air Conditioner	59.8	310	0.34	1,270	4.58	Built-in (Sensorless)		Class E	
ADB0055Y5M	Air Purifier	29.7	310	0.20	1,060	2.72	Built-in (Sensorless)		Class E	
ADB0055Y9M	Air Purifier	39.3	310	0.23	1,190	3.21	Built-in (Sensor)		Class B	UL
ADB0055Y10M	Air Purifier	23.5	310	0.20	990	2.31	Built-in (Sensorless)		Class E	
ADB0055Y11M	Air Purifier / Air Conditioner	57.7	310	0.30	1,220	4.60	Built-in (Sensor)		Class B	UL
ADB0043Y1M	Air Conditioner	43.0	310	0.34	950	4.40	External		Class E	
ADB0124Y2M	Outdoor Unit / Ceiling Cassette	124.1	310	0.62	1,000	12.10	External	Class E		
ADB0070Y1M	Air Conditioner	74.4	310	0.43	1,100	6.60	External	Class E		
ADB0195Y1M	Air Conditioner	138.0	310	0.61	1,040	12.95	External	Class E		

## Dimensions

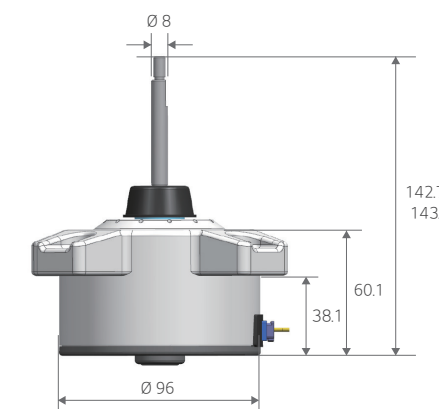
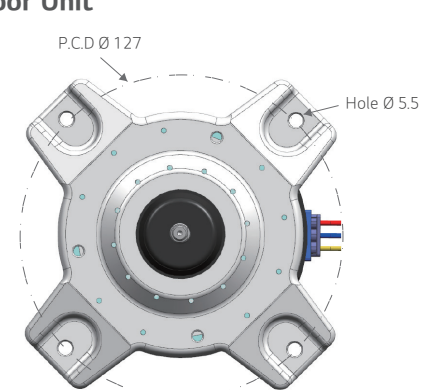
### Indoor Unit / Air Purifier / Fan Coil



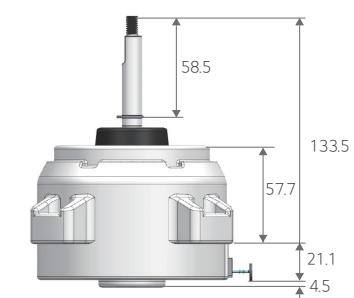
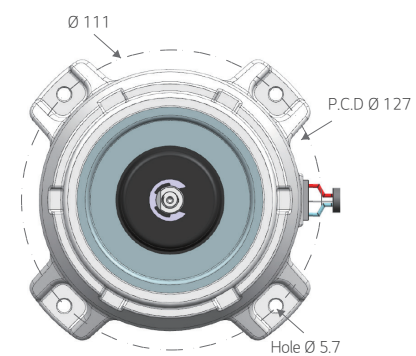
Unit : mm

Models	A	B	C	D	E	F
ADB0030YxM	39.0	Ø 94	Ø 6 / Ø 8	Depend on Customer Application		
ADB0040YxM	41.7	Ø 94	Ø 6 / Ø 8			
ADB0055YxM	51.2	Ø 94	Ø 6 / Ø 8			

### Outdoor Unit



### Outdoor Unit / Ceiling Cassette



### Window

