



Reliable Restarts
Exceptional Durability

UNIROTARY™ COMPRESSOR



Consistency, reliability, and
comfort for unitary systems



LG Electronics Component Solutions

4300 North Point Pkwy, Alpharetta, GA 30022

For more information

Visit <https://www.lg.com/global/business/compressor-motor>

E-mail lg.compressors@lge.com

For continual product development, LG reserves the right to change the specifications without notice.
Copyright © 2023 LG Electronics Inc. All Rights Reserved.



UniRotary™ Compressor Highlight

Why LG UniRotary™ Compressor?

The LG UniRotary™ Compressor boasts new features that allow for reliable, smooth restarts and increased durability not previously imaginable for rotary compressor usage in unitary applications. LG's innovative rotary technology offers increased durability and longevity for your customers with a patented restarting solenoid valve that equalizes pressure mechanically, for a smooth start without any harsh electrical start devices. And the compressor's patented discharge check valve increases system efficiency by managing refrigerant in the high side of the system during off cycles, helping manage pressure before it has a chance to compromise performance.



Features and Benefit



Check Valve

The compressor's patented discharge check valve increases system efficiency by managing refrigerant in the high side of the system during off cycles, helping manage pressure before it has a chance to compromise performance.

Solenoid Valve

The UniRotary Compressor offers increased durability and longevity with a patented restarting solenoid valve that mechanically equalizes pressure, allowing it to smoothly start under a load without the aid of harsh electrical start devices.

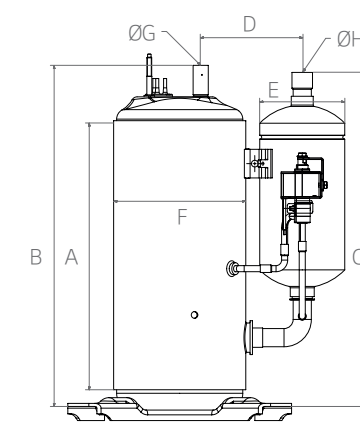
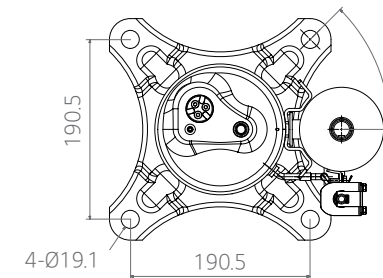
UniRotary™ Platform

Refrigerant	Series	Cooling Capacity (Ton)									
		1.0	1.5	2.0	2.5	3.0	3.5	4.0	4.5	5.0	5.5
R32	KJA	•	•	•							
	KVA				•	•					
R454B	KJA	•	•	•							
	KVA				•	•					
R410A	KJA	•	•	•							
	KVA				•	•					
R410A R454B R32	KJT				—————						
	KPT								—————		

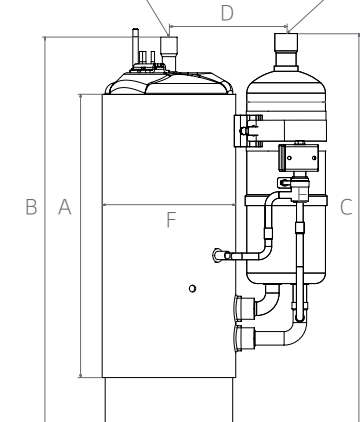
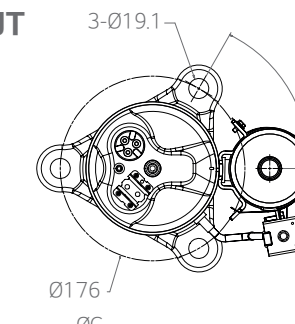
Specifications and Dimension

Refrigerant	Type	Frequency	Voltage	Series	Model	Cooling capacity		Input	EER	COP	Test Condition	Dimension (mm)								
						[Btu/hr]	[Watts]					A	B	C	D	E	F	G	H	I
R454B	1 Piston	60Hz	1Ø, 230V	KJA	KJA104KA	9,700	2,842	942	10.3	3.02	ARI	261.2	324.7	339.1	98.7	90.0	127.3	12.8	19.2	45.0
					KJA151KA	14,500	4,249	1,381	10.5	3.08	ARI	266.2	329.7	339.1	98.7	90.0	127.3	12.8	19.2	45.0
					KJA200KA	19,800	5,802	921	21.5	6.30	DOE-B	279.0	342.5	349.5	73.7	90.0	127.3	12.8	19.2	45.0
					KJA282KA	18,800	5,509	1,774	10.6	3.11	ARI	279.0	342.5	349.5	73.7	90.0	127.3	12.8	19.2	45.0
				KVA	KVA236KA	27,600	8,088	1,272	21.7	6.36	DOE-B	282.0	357.5	350.1	81.8	90.0	138.5	12.8	19.2	45.0
					KVA282KA	22,400	6,564	2,133	10.5	3.08	ARI	282.0	357.5	350.1	81.8	90.0	138.5	12.8	19.2	45.0
					KVA282KA	26,400	7,736	2,514	10.5	3.08	ARI	282.0	357.5	350.1	81.8	90.0	138.5	12.8	19.2	45.0
					KVA282KA	38,600	11,311	1,795	21.5	6.30	DOE-B	282.0	357.5	350.1	81.8	90.0	138.5	12.8	19.2	45.0
R32	1 Piston	60Hz	1Ø, 230V	KJA	KJA104KA	11,000	3,223	1,100	10.0	2.93	ARI	261.2	324.7	339.1	98.7	90.0	127.3	12.8	19.2	45.0
					KJA151KA	15,200	4,454	734	20.7	6.07	DOE-B	266.2	329.7	339.1	98.7	90.0	127.3	12.8	19.2	45.0
					KJA200KA	16,500	4,835	1,571	10.5	3.08	ARI	279.0	342.5	349.5	73.7	90.0	127.3	12.8	19.2	45.0
					KJA236KA	22,200	6,564	1,052	21.3	6.24	DOE-B	282.0	357.5	350.1	81.8	90.0	138.5	12.8	19.2	45.0
				KVA	KVA200KA	30,000	8,791	1,402	21.4	6.27	DOE-B	279.0	342.5	349.5	73.7	90.0	127.3	12.8	19.2	45.0
					KVA236KA	26,400	7,736	2,563	10.3	3.02	ARI	282.0	357.5	350.1	81.8	90.0	138.5	12.8	19.2	45.0
					KVA282KA	35,700	10,462	1,668	21.4	6.27	DOE-B	282.0	357.5	350.1	81.8	90.0	138.5	12.8	19.2	45.0
					KVA282KA	31,100	9,114	3,019	10.3	3.02	ARI	282.0	357.5	350.1	81.8	90.0	138.5	12.8	19.2	45.0
					KVA282KA	42,000	12,308	1,981	21.2	6.21	DOE-B	282.0	357.5	350.1	81.8	90.0	138.5	12.8	19.2	45.0
					KVA282KA	10,100	2,960	1,020	9.9	2.90	ARI	261.2	324.7	339.1	98.7	90.0	127.3	12.8	19.2	45.0
R410A	1 Piston	60Hz	1Ø, 230V	KJA	KJA104KA	14,300	4,190	688	20.8	6.10	DOE-B	261.2	324.7	339.1	98.7	90.0	127.3	12.8	19.2	45.0
					KJA151KA	15,200	4,454	1,476	10.3	3.02	ARI	266.2	329.7	339.1	98.7	90.0	127.3	12.8	19.2	45.0
					KJA200KA	21,200	6,212	991	21.4	6.27	DOE-B	279.0	342.5	349.5	73.7	90.0	127.3	12.8	19.2	45.0
					KJA282KA	20,200	5,919	1,980	10.2	2.99	ARI	279.0	342.5	349.5	73.7	90.0	127.3	12.8	19.2	45.0
				KVA	KVA200KA	28,600	8,381	1,336	21.4	6.27	DOE-B	279.0	342.5	349.5	73.7	90.0	127.3	12.8	19.2	45.0
					KVA236KA	24,000	7,033	2,376	10.1	2.96	ARI	282.0	357.5	350.1	81.8	90.0	138.5	12.8	19.2	45.0
					KVA282KA	34,000	9,963	1,574.0	21.60	6.33	DOE-B	282.0	357.5	350.1	81.8	90.0	138.5	12.8	19.2	45.0
					KVA282KA	28,300	8,293	2,802	10.1	2.96	ARI	282.0	357.5	350.1	81.8	90.0	138.5	12.8	19.2	45.0
					KVA282KA	40,000	11,722	1,887	21.2	6.21	DOE-B	282.0	357.5	350.1	81.8	90.0	138.5	12.8	19.2	45.0
					KVA282KA	25,400	7,443	2,327	10.9	3.20	ARI @60Hz	270.0	371.6	375.0	113.6	75.0	127.3	12.8	19.2	45.0
R454B R32 R410A	2 Piston	10-110	DC380V	KJT	GJT240MC	37,120	10,878	2,350	15.8	4.63	DOE-A @70Hz	270.0	371.6	375.0	113.6	75.0	127.3	12.8	19.2	45.0
					GJT240MC	19,350	5,670	843	23.0	6.73	DOE-B @35Hz	270.0	371.6	375.0	113.6	75.0	127.3	12.8	19.2	45.0
		15-100	DC380V	KPT	GPT442MA	47,000	13,773	4,360	10.8	3.16	ARI @60Hz	259.6	365.3	367.3	123.0	75.0	146.2	12.8	19.2	45.0
					GPT442MA	63,350	18,564	4,060	15.6	4.57	DOE-A @65Hz	259.6	365.3	367.3	123.0	75.0	146.2	12.8	19.2	45.0
GPT442MA	35,800	10,491	1,555	23.0	6.75	DOE-B @35Hz	259.6	365.3	367.3	123.0	75.0	146.2	12.8	19.2	45.0					

• KJA / KVA



• KJT



• KPT

