

32" CLASS (31.5" DIAGONAL)

32LH240H
HI GLOSS BLACK

LCD TV

LCD Commercial Widescreen

Integrated HDTV with HD-PPV
Capability



 EcoSmart™
Dynamic Power Savings
Static Power Savings

 RoHS COMPLIANT

HD VOD PPV ENCRYPTION
Integrated Pro:Idiom®

MPEG-2/MPEG-4 H.264 DECODING

DYNAMIC CONTRAST RATIO
20,000:1

NATIVE DISPLAY RESOLUTION
1366 x 768

BUILT-IN ATSC/NTSC/QAM CLEAR TUNER

INVISIBLE SPEAKER SYSTEM
Hidden speaker grilles

180° DETACHABLE SWIVEL STAND

LG'S EXCLUSIVE XD ENGINE®

USB 2.0 MEDIA HOST FOR PHOTOS AND MUSIC

USB CLONING

CLEAR VOICE II

REAL CINEMA™

2 HDMI™ INPUTS WITH HDCP
V.1.3 with deep color

AUTO SENSING REMOTE JACK PACK (RJP) COMPATIBLE*

2 YEAR LIMITED WARRANTY
(parts and labor)

*NOTE: Contact your LG Sales representative on the RJPs that are compatible with the 32LH240H.

www.LGolutions.com





green LIFE'S GOOD...

WHEN IT'S GREEN.

LG is committed to improving product development, manufacturing and usage to meet the demand for environmentally friendlier products.

The 32LH240H television has technologies to reduce power consumption and in return increase **cost savings** per room. We've also placed limits in the amounts of harmful materials used in this television.

- **EcoSmart**
Dynamic Power Savings - Using built-in algorithms, TV will automatically reduce the power consumption based on incoming video, while maximizing picture performance.
Static Power Savings - Picture brightness level can be set at the preferred power consumption level to reduce power and increase energy savings.
- **RoHS Compliant**
Meets directive on restriction of hazardous substances.

FEATURES

LG'S FREE-TO-GUEST COST EFFECTIVE SOLUTION

For Free-To-Guest (FTG) hotel installations, when using LG's MPI Pro:Idiom FTG/PPV card (LMT7Z9) plus LG's Free-to-Guest Management Appliance (FMA-LG101), virtual channel mapping and commercial installer menu settings, and other adjustments can be made from the centralized head-end FMA system. This is an added value of time savings and therefore cost savings in labor charges by not having to go room to room for a change of settings.

HOTEL COSTS FOR FREE-TO-GUEST CHANNEL MANAGEMENT (OVER 5 YEARS)

	Labor Costs	FTG Card Price	*FMA MAP price	Total	Savings over other brand
Other brand	\$20 (est.) x 2 times per year (to update channels) x 100 rooms x 5 years	-	-	\$20,000	-
LG Pro:Idiom TV with LMT7Z9 FTG card & FMA-LG101	\$20 (est.) x once (to install card in set) x 100 rooms	\$39 x 100 rooms	\$1,999	\$7,899	\$12,101

* FMA MAP price subject to change.

ENERGY SAVING LEVELS

By selecting lower levels of backlight settings, a reduction in power consumption is achieved resulting in energy savings and lower costs.

TESTING CONDITION IN VIVID/STATIC MODE

Applied Model	Backlight Setting Value	Brightness/Static [cd/m ²]	Power Consumption [Watts]	Energy savings [%]
32LH240H	Level 100	260	93	0.0%
	90	235	87	6%
	80	220	81	13%
	70	198	75	19%
	60	176	70	25%
	50	157	65	30%
	40	133	59	37%
	30	111	54	42%
	20	87	48	48%
	10	67	43	54%
1	48	37	60%	

Note: Power consumption was measured with video signal - IEC62087 dynamic broadcast. Energy Saving percentages listed are percentages off of level 100.

FREE-TO-GUEST MANAGEMENT APPLIANCE



FMA-LG101
HEAD-END SYSTEM

Manages channel line-up changes, channel label changes, designates a startup channel, and can set the time/date, and broadcast that information to all the terminals on a regular basis. This unit will clone the commercial installer menu settings from this single head-end location. Also, enables Pro:Idiom tuning for Pro:Idiom encrypted content. Works in conjunction with installed LMT7Z9 card and TVs with integrated b-LAN™ technology.

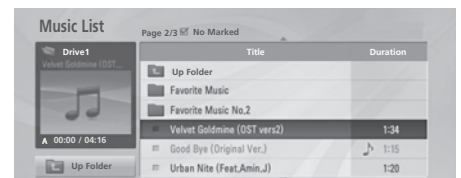
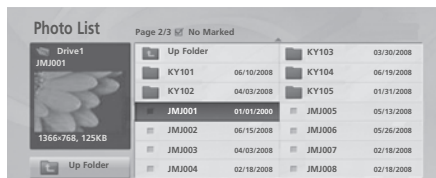
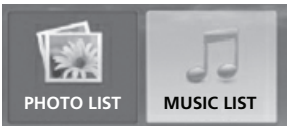
LMT7Z9 MPI CARD FOR Pro:Idiom FTG AND PPV

LMT7Z9
FREE-TO-GUEST TECHNOLOGY

Allows viewing of HD secured Pro:Idiom encrypted content from Pro:Idiom licensed Cable or Satellite providers. Compatible with FMA-LG101 and FMA-100 head-end systems. Pay-Per-View ready.

USB 2.0 MEDIA HOST

USB 2.0 will support JPG and MP3 files from a USB storage device.



XD ENGINE

SHARPER
BRIGHTER
CLEARER



Dramatization



Dramatization

Six distinct processes contribute to picture improvement. LG's XD Engine takes the low resolution of analog signals to near HD levels by improving brightness, contrast, detail and enhancing color as well as reducing signal noise.

invisible SPEAKER

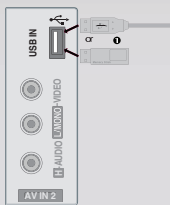
SOUND IS HEARD, NOT SEEN

Enjoy a combination of smart technology and stylish design with the invisible speaker system custom tuned by audio expert Mr. Mark Levinson. This unique system provides a clean, polished look and an enhanced auditory experience by increasing the sweet spot and providing a wider sound field.

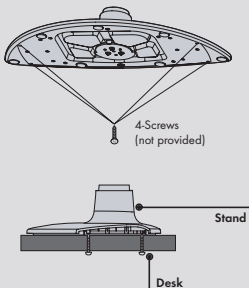


USB CLONING

USB cloning will allow for easy transfer of commercial installer menu settings from the "Master TV" to an unlimited number of same type televisions.

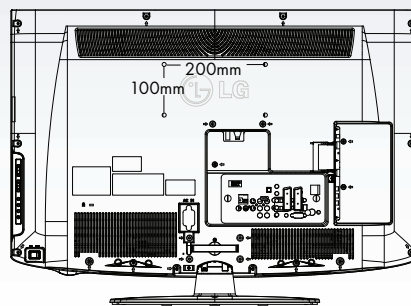
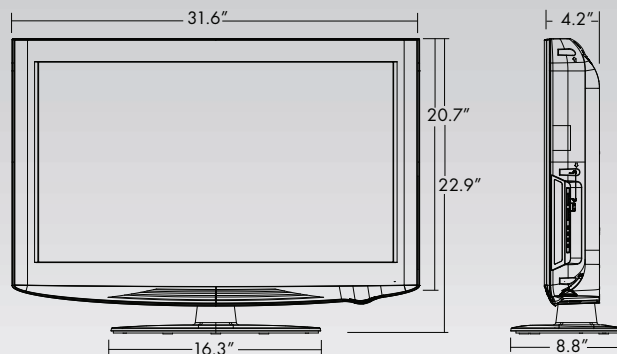


MOUNTING HOLES ON STAND ATTACHING THE TV TO A DESK

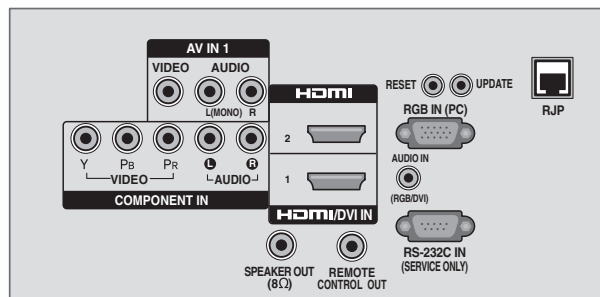
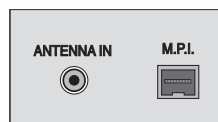


DIMENSIONS

32LH240H



MPI SLOT REAR JACK PANEL



SIDE JACK PANEL



SPECIFICATIONS

LCD SPECIFICATION

Screen Size (Class)	32" class (31.5" diagonal)
Native Display Resolution	1366 x 768
Brightness	500 cd/m ²
Dynamic Contrast Ratio	20,000:1
Viewing Angle	178°/178°
Color Reproduction	8 Bit
Response Time	5ms
Life Span (Typical)	50,000 hrs

BROADCASTING SYSTEM

Analog	Yes
ATSC/NTSC/Clear QAM	Yes

VIDEO

XD Engine	Yes
Video Codec	MPEG-2/4
Aspect Ratio	16:9
Aspect Ratio Correction	5 Modes
Just Scan 0% over scan	
HDMI/Component:	HD/DTV
Enhanced Noise Reduction (Video Noise Filter)	Yes, 3D NR/MPEG NR
Digital Comb Filter	Yes (3D)
Color Temperature Control	3 Modes (Medium, Warm, Cool)
Black Stretcher	Yes
24p Real Cinema	Yes
Cinema 3:2/2:2 Mode	Yes
Picture Reset	Yes
EZ Picture/PSM	Yes (6 mode)
xvYCC (richer color)	Yes
DTV Signal Strength Indicator	Yes
Video Reset/Initializing	Yes

AUDIO

Mono/Stereo/Dual (MTS/SAP)	Yes
Audio Output Power	10W x 2
Invisible Speaker System Details	1 Way 2 Speaker
Dolby Digital 5.1 Decoder	Yes
Surround System Type	SRS TruSurround XT
Bass/Treble/Balance Controls	Yes
Clear Voice II	Yes
Auto Volume Leveler	Yes
EZ Sound Mode/SSM	5 Modes

SPECIAL FEATURES

Integrated Pro:Idiom	Yes
Auto-Sensing RJP compatible	Yes (with select RJP versions, non - PIP)
Backlight Control	Yes
USB Cloning	Yes
1080p Source Input	
HDMI	60f/30f/24f
Component	60f/30f/29f
Auto Screen Adjust	Yes
Fresh White	Yes
Flashback (Previous Channel)	Yes
Quick Setup Guide	Yes
Parental Control w/V-Chip	Yes
Key Lock/Child Lock	Yes
Customizable Closed Caption/Subtitle	Yes

CONVENIENCE FEATURES

Language	English/Spanish/French
Alvin UI	Yes
Commercial Function Menu	Yes
Auto Tuning/Programming	Yes
Channel Add/Delete	Yes
Channel Labeling	Yes
Favorite Channel Programming	Yes
Auto/Manual Clock	Yes
On/Off Timer	Yes
Sleep Timer	Yes
Auto Off/Auto Sleep (When no video is present)	Yes

AUDIO/VIDEO INPUTS/OUTPUTS

RF In (Antenna/Cable)	1
L/R Audio/Composite Video In	1 (rear), 1 (side)
HD Component Video In (Y, Pb, Pr) + L/R Audio	1
Speaker Out	1 (1W mono)
HDMI/HDCP Input (V1.3 with Deep Color)	2 (1 port PC mode)
RGB In (D-Sub 15pin) - PC	1 (up to WXGA)
PC Audio Input	1
RS-232C In (Service Only)	1
USB 2.0 Input	1 (Side) Media Host (jpeg, mp3), Cloning, Service
Remote Control Port out	1
RJ45 (for RJP interface, non PIP)	1
MPI Jack (RJ-12)	1 (dummy card)

CABINET/ACCESSORIES

Cabinet Color	Hi Gloss Black
Swivel Stand (degrees)	+90°/-90°
Fire Retardant Cabinet Material	Yes
Kensington Security System Slot	Yes
Security Screws (TORX)	Yes (optional use)
VESA® Mount Standard Compliant (WxH)	200mm x 100mm, M4 screw
Remote Control	Yes
Cloning Capable	USB input, opt. LT2002, or opt. TLL-1100A

POWER

Voltage, Hz	100V - 240V, 50/60 Hz
Stand-by Mode	Less than 1W
Dynamic/Static Power Savings	Yes
Power Consumption	Max 150W
(with Power Saving Modes Disabled)	Typical 120W
RoHS Compliant	Yes

DIMENSIONS & WEIGHT

TV without stand (WxHxD)	31.6" x 20.7" x 4.2"
TV with stand (WxHxD)	31.6" x 22.9" x 8.8"
Shipping Dimensions (WxHxD)	38.7" x 24.6" x 7.4"
TV without stand weight	25.1 lbs
TV with stand weight	27.7 lbs
Shipping Weight	29.1 lbs

SERVICE/LIMITED WARRANTY

UPC CODE	
32LH240H	7 19192 17649 2

www.LGolutions.com

LG Electronics U.S.A., Inc.
Business Solutions Division
2000 Millbrook Drive
Lincolnshire, IL 60069

Customer Service: 888.865.3026
www.LGolutions.com/support

Contact your LG Regional Sales Representative
Hospitality: 800.228.1236
Vertical Markets: 800.897.8788
Channel: 800.897.8871
E-mail: info@LGolutions.com



LG
Life's Good

SPEC_32LH240H_081004_PR



All screen images are simulated. Dimensions and weights are approximate. Design, features and specifications subject to change without notice.

© Copyright 2010 LG Electronics USA, Inc. All Rights Reserved. "LG Life's Good" is a registered trademark of LG Corp. XD Engine is a registered trademark of LG Electronics, Inc. EcoSmart is a trademark of LG Corp. Pro:Idiom is a registered trademark of Zenith Electronics Corp. SRS and the SRS symbol and TruSurround XT are trademarks or registered trademarks of SRS Labs, Inc. b-LAN is a trademark of LodgeNet Interactive Corporation. VESA is a trademark of Video Electronics Standards Association. All other product and brand names are trademarks or registered trademarks of their respective companies.

Printed in the USA. August 2010