

42" CLASS (42.0" DIAGONAL)

37" CLASS (37.0" DIAGONAL)

42LH260H HI GLOSS BLACK

37LH260H HI GLOSS BLACK

37LH265H MATTE BLACK

LCD TV

## LCD Commercial Widescreen

## Integrated Full HD with HD-PPV Capability



**NEW!** BUILT-IN INTEGRATED b-LAN™  
Includes full support of:  
LodgeNet's HD Video on Demand (VOD)  
LodgeNet's HD Free-To-Guest (FTG)  
Supports many other FTG system providers  
(see sales rep)  
Compatible with FMA-100 and FMA-LG101

 EcoSmart™  
Dynamic Power Savings  
Static Power Savings

 RoHS COMPLIANT

HD VOD PPV ENCRYPTION  
Integrated Pro:Idiom®

SPLASH IMAGE-LOGO ON (START UP)

MPEG-2/MPEG-4 H.264 DECODING

DYNAMIC CONTRAST RATIO  
20,000:1

NATIVE DISPLAY RESOLUTION  
1920 x 1080

BUILT-IN ATSC/NTSC/QAM CLEAR TUNER

INVISIBLE SPEAKER SYSTEM  
Hidden speaker grilles

180° DETACHABLE SWIVEL STAND

LG'S EXCLUSIVE XD ENGINE®

USB 2.0 MEDIA HOST FOR PHOTOS AND MUSIC

USB CLONING

CLEAR VOICE II

REAL CINEMA™

2 HDMI™ INPUTS WITH HDCP  
V.1.3 with deep color

AUTO SENSING REMOTE JACK PACK (RJP) COMPATIBLE\*

2 YEAR LIMITED WARRANTY  
(parts and labor)

\*NOTE: Contact your LG Sales representative on the RJP's that are compatible with the LH260H & LH265H series.

[www.LGolutions.com](http://www.LGolutions.com)

 **LG**  
Life's Good



green LIFE'S GOOD...

# WHEN IT'S GREEN.

LG is committed to improving product development, manufacturing and usage to meet the demand for environmentally friendlier products.

The LH260H/LH256H series have technologies to reduce power consumption and in return increase **cost savings** per room. We've also placed limits in the amounts of harmful materials used in these televisions.

- **EcoSmart**  
Dynamic Power Savings - Using built-in algorithms, TV will automatically reduce the power consumption based on incoming video, while maximizing picture performance.  
Static Power Savings - Picture brightness level can be set at the preferred power consumption level to reduce power and increase energy savings.
- **RoHS Compliant**  
Meets directive on restriction of hazardous substances.

# FEATURES

## LG'S FREE-TO-GUEST COST EFFECTIVE SOLUTION

For Free-To-Guest hotel installations, when using LG's b-LAN Free-To-Guest built-in technology plus LG's Free-to-Guest Management Appliance (FMA), virtual channel mapping, configuration of commercial installer menu settings, and other adjustments can be made from the centralized head-end FMA system. This is an added value of time savings and therefore cost savings in labor charges by not having to go room to room for a change of settings.

## HOTEL COSTS FOR FREE-TO-GUEST CHANNEL MANAGEMENT (OVER 5 YEARS)

	Labor Costs	FTG Card Price	*FMA MAP price	Total	Savings over other brand
Other brand	\$20 (est.) x 2 times per year (to update channels) x 100 rooms x 5 years	-	-	\$20,000	-
LG Pro:Idiom TVs with Integrated b-LAN, plus FMA	-	-	\$1,999	\$1,999	<b>\$18,001</b>

\* FMA MAP price subject to change.

## FREE-TO-GUEST MANAGEMENT APPLIANCE

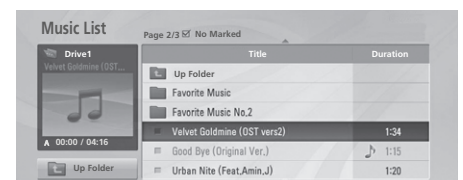
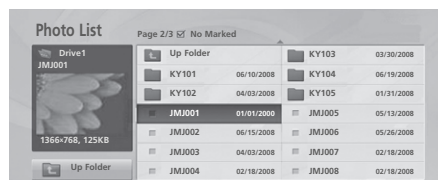
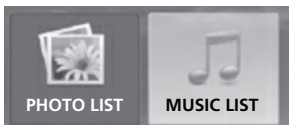
**FMA-LG101**  
HEAD-END SYSTEM



Manages channel line-up changes, channel label changes, designates a startup channel, configuration of commercial installer menu settings, and can set the time/date, and broadcast that information to all the terminals on a regular basis all from the head-end. Also, enables Pro:Idiom tuning for Pro:Idiom encrypted content.

## USB 2.0 MEDIA HOST

USB 2.0 will support JPG and MP3 files from a USB storage device.



## ENERGY SAVING LEVELS

By selecting lower levels of backlight settings, a reduction in power consumption is achieved resulting in energy savings and lower costs.

## TESTING CONDITION: Vivid/Static mode, Comp 720p 216 Gray Pattern

Applied Model	Backlight Setting Value	Brightness/Static [cd/m²]	Power Consumption [Watts]	Energy savings [%]
42LH260H	Level 100	355	157	0%
	90	330	147	6%
	80	300	136	13%
	70	270	126	20%
	60	239	116	26%
	50	211	106	32%
	40	177	94	40%
	30	127	84	46%
	20	104	74	53%
	10	71	64	59%
1	52	54	66%	
37LH260H/265H	Level 100	178	121	0%
	90	165	116	4%
	80	151	105	13%
	70	137	99	18%
	60	122	91	25%
	50	108	84	31%
	40	91	74	39%
	30	77	68	44%
	20	62	61	50%
	10	48	53	56%
1	35	45	63%	

Note: Energy Saving percentages listed are percentages off of level 100.

## FREE-TO-GUEST INTEGRATED b-LAN

### b-LAN

FREE-TO-GUEST TECHNOLOGY

Will allow viewing of HD secured Pro:Idiom encrypted content from Pro:Idiom licensed Cable or Satellite providers. Compatible with FMA-100 and FMA-LG101 head-end systems. system. Pay-Per-View ready.

# XD<sup>®</sup> ENGINE

SHARPER  
BRIGHTER  
CLEARER



Dramatization



Dramatization

Six distinct processes contribute to picture improvement. LG's XD Engine takes the low resolution of analog signals to near HD levels by improving brightness, contrast, detail and enhancing color as well as reducing signal noise.

## invisible SPEAKER

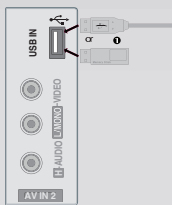
### SOUND IS HEARD, NOT SEEN

Enjoy a combination of smart technology and stylish design with the invisible speaker system custom tuned by audio expert Mr. Mark Levinson. This unique system provides a clean, polished look and an enhanced auditory experience by increasing the sweet spot and providing a wider sound field.

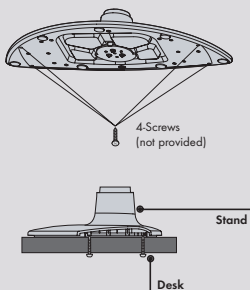


### USB CLONING

USB cloning will allow for easy transfer of Commercial Installer Menu Settings from the "Master TV" to an unlimited number of same type televisions.

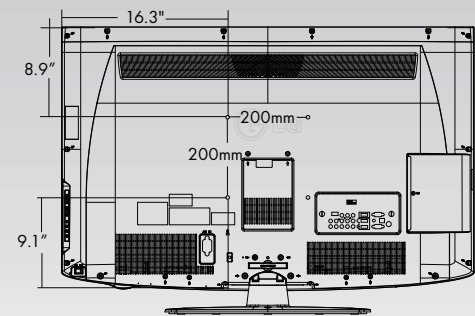
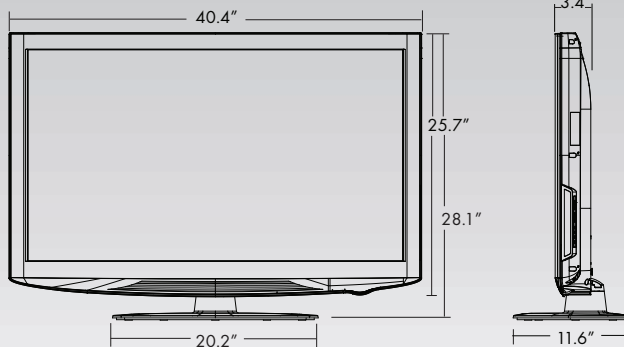


### MOUNTING HOLES ON STAND ATTACHING THE TV TO A DESK

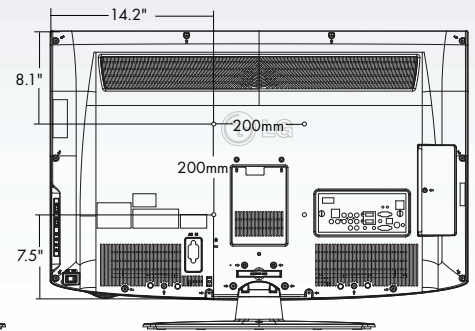
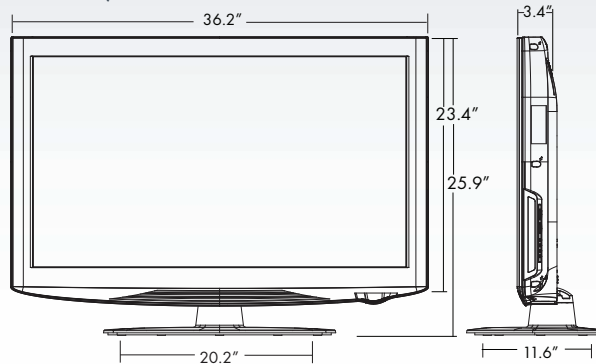


# DIMENSIONS

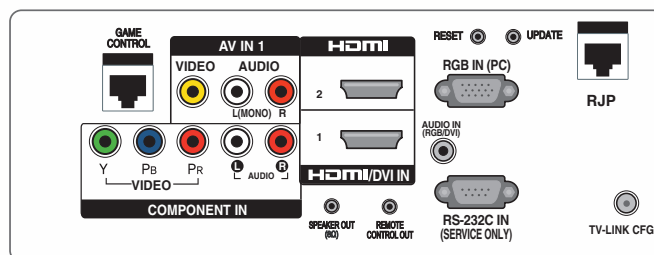
42LH260H



37LH260H/265H



### MPI SLOT REAR JACK PANEL



### SIDE JACK PANEL



HI GLOSS BLACK **42LH260H**  
 HI GLOSS BLACK **37LH260H**  
 MATTE BLACK **37LH265H**

**42" CLASS** (42.0" DIAGONAL)

**37" CLASS** (37.0" DIAGONAL)

# SPECIFICATIONS

## LCD SPECIFICATION

Screen Size (Class)	42" class (42.0" diagonal) 37" class (37.0" diagonal)
Native Display Resolution	1920 x 1080
Brightness	500 cd/m <sup>2</sup>
Dynamic Contrast Ratio	20,000:1
Viewing Angle	178°/178°
Color Reproduction	10 Bit
Response Time	5ms
Life Span (Typical)	50,000 hrs

## BROADCASTING SYSTEM

Analog	Yes
ATSC/NTSC/Clear QAM	Yes
b-LAN (RFModem)	Yes

## VIDEO

XD Engine	Yes
Video Codec	MPEG-2/4
Aspect Ratio	16:9
Aspect Ratio Correction	5 Modes
Just Scan 0% over scan	
HDMI/Component:	HD/DTV
Enhanced Noise Reduction (Video Noise Filter)	Yes, 3D NR/MPEG NR
Digital Comb Filter	Yes (3D)
Color Temperature Control	3 Modes (Medium, Warm, Cool)
Black Stretcher	Yes
24p Real Cinema	Yes
Cinema 3:2/2:2 Mode	Yes
Picture Reset	Yes
EZ Picture/PSM	Yes (6 mode)
xvYCC (richer color)	Yes
DTV Signal Strength Indicator	Yes
Video Reset/Initializing	Yes

## AUDIO

Mono/Stereo/Dual (MTS/SAP)	Yes
Audio Output Power	10W x 2
Invisible Speaker System Details	1 Way 2 Speaker
Dolby Digital 5.1 Decoder	Yes
Surround System Type	SRS TruSurround XT
Bass/Treble/Balance Controls	Yes
Clear Voice II	Yes
Auto Volume Leveler	Yes
EZ Sound Mode/SSM	5 Modes

## SPECIAL FEATURES

Integrated Pro:Idiom	Yes
Splash Image-Logo on (start up)	Yes
Auto-Sensing RJP compatible	Yes (with select RJP versions, non - PIP)
Backlight Control	Yes
USB Cloning	Yes
720p/1080p Source Input	
HDMI	60f/30f/24f
Component	60f/30f/29f
Auto Screen Adjust	Yes
Fresh White	Yes
Flashback (Previous Channel)	Yes
Quick Setup Guide	Yes
Parental Control w/V-Chip	Yes
Key Lock/Child Lock	Yes
Customizable Closed Caption/Sub-title	Yes

## CONVENIENCE FEATURES

Language	English/Spanish/French
Alvin UI	Yes
Commercial Function Menu	Yes
Auto Tuning/Programming	Yes
Channel Add/Delete	Yes
Channel Labeling	Yes
Favorite Channel Programming	Yes
Auto/Manual Clock	Yes
On/Off Timer	Yes
Sleep Timer	Yes
Auto Off/Auto Sleep (When no video is present)	Yes

## AUDIO/VIDEO INPUTS/OUTPUTS

RF In (Antenna/Cable)	1
L/R Audio/Composite Video In	1 (rear), 1 (side)
HD Component Video In (Y, Pb, Pr) + L/R Audio	1
Speaker Out	1 (1W mono)
HDMI/HDCP Input (V1.3 with Deep Color)	2 (1 port PC mode)
RGB In (D-Sub 15pin) - PC	1 (up to WXGA)
PC Audio Input	1
RS-232C In (Service Only)	1
USB 2.0 Input	1 (Side) Media Host (jpeg, mp3), Cloning, Service
Remote Control Port out	1
RJ45 (for RJP interface, non PIP)	1
MPI Jack (RJ-12)	1 on MPI Card Slot
Game Port (RJ-12)	1 for LodgeNet game controller
TV-LINK CFG (b-LAN phone/MPI jack)	1

## CABINET/ACCESSORIES

Cabinet Color	Hi Gloss Black
Swivel Stand (degrees)	+90°/90°
Fire Retardant Cabinet Material	Yes
Kensington Security System Slot	Yes
Security Screws (TORX)	Yes (optional use)
VESA® Standard Mount Compatible (WxH)	200mm x 200mm, M6 screw
Remote Control	Yes
Cloning Capable	USB input, opt. LT2002, or opt. TLL-1100A

## POWER

Voltage, Hz	100V - 240V, 50/60 Hz
Stand-by Mode	Less than 1W
Dynamic/Static Power Savings	Yes
Power Consumption	Max 200W
(with Power Saving Modes Disabled)	Typical 173W
RoHS Compliant	Yes

## DIMENSIONS & WEIGHT

TV without stand (WxHxD)	36.2" x 23.4" x 3.4" (37") 40.4" x 25.7" x 3.4" (42")
TV with stand (WxHxD)	36.2" x 25.9" x 11.6" (37") 40.4" x 28.1" x 11.6" (42")
Shipping Dimensions (WxHxD)	47.0" x 26.2" x 9.0" (37") 52.4" x 30.3" x 9.0" (42")
TV without stand weight	29.1 lbs (37") 37.0 lbs (42")
TV with stand weight	33.0 lbs (37") 41.0 lbs (42")
Shipping Weight	40.2 lbs (37") 46.7 lbs (42")

## SERVICE/LIMITED WARRANTY

UPC CODE	
42LH260H	7 19192 17650 8
37LH260H	7 19192 90009 7
37LH265H	7 19192 90010 3
SERVICE/LIMITED WARRANTY	2 Years (Parts/Labor)



All screen images are simulated. Dimensions and weights are approximate. Design, features and specifications subject to change without notice.

© Copyright 2010 LG Electronics USA, Inc. All Rights Reserved. "LG Life's Good" is a registered trademark of LG Corp. XD Engine is a registered trademark of LG Electronics, Inc. EcoSmart is a trademark of LG Corp. Pro:Idiom is a registered trademark of Zenith Electronics Corp. SRS and the SRS symbol and TruSurround XT are trademarks or registered trademarks of SRS Labs, Inc. VESA is a trademark of Video Electronics Standards Association. b-LAN is a trademark of LodgeNet Interactive Corporation. All other product and brand names are trademarks or registered trademarks of their respective companies.

Printed in the USA. August 2010

www.LGolutions.com

LG Electronics U.S.A., Inc.  
Business Solutions Division  
2000 Millbrook Drive  
Lincolnshire, IL 60069

Customer Service: 888.865.3026  
www.LGolutions.com/support

Contact your LG Regional Sales Representative  
Hospitality: 800.228.1236  
Vertical Markets: 800.897.8788  
Channel: 800.897.8871  
E-mail: info@LGolutions.com



**LG**  
Life's Good

SPEC\_LH260\_265\_081022\_PR