

LRG3194_

5.4 cu.ft Capacity Gas Single Oven Convection Range with EasyClean and Self Clean

5.4 cu.ft. Capacity

Fan Convection



EasyClean® + Self Clean

Wide Grate Design

SuperBoil™ 17,000 BTU Burner



AVAILABLE COLORS

-  STAINLESS STEEL
-  PRINTPROOF™ BLACK STAINLESS STEEL
-  PRINTPROOF™ MATTE BLACK STAINLESS STEEL
-  SMOOTH WHITE

CAPACITY		CONTROL		SMART FEATURES	
Oven Capacity (cu. ft.)	5.4	Cooktop Control Type	Front Control Knobs	SmartDiagnosis™	Yes
Storage Drawer Capacity (cu.ft.)	0.8 (No Handle)	Oven Control Type	Keypad	DIMENSIONS/CLEARANCES/WEIGHTS	
COOKTOP		Display	VFD White	Shipping Weight (lbs)	210
Burner/BTU - Left Rear	9100 / 9100	Language	English	Product Weight (lbs)	189
Burner/BTU - Right Rear	5000 / 5000	Clock	12 hr or 24 hr (option)	Cabinet Width (in)	30"
Burner/BTU - Left Front	12000 / 9500	Kitchen Timer	Yes	Overall Depth (in) - including handle	28 3/4"
Burner/BTU - Right Front	17000 / 10000 (SuperBoil™)	Timed Cook	Yes	Overall Height (in)	47 7/16"
Center (Warming Zone) (BTU)	8000 / 8000 (Oval)	Temperature Unit of Measure	Fahrenheit / Celsius	Overall Width (in)	30"
Burner Simmer / BTU - Left Rear	1100	Cooking Complete Reminder Volume	1. Hi 2. Lo 3. Off	Oven Interior Dimensions (in) (W x H x D)	24 1/2" x 19 1/2" x 19 3/8"
Burner Simmer / BTU - Right Rear	650	APPEARANCE		Height to Cooking Surface (in)	36"
Burner Simmer / BTU - Left Front	1100	All Available Colors	Stainless Steel PrintProof™ Black Stainless Steel PrintProof™ Matte Black Stainless Steel Smooth White	Drawer Dimensions (in) (W x H x D)	22 3/16" x 4 1/2" x 16 3/8"
Burner Simmer / BTU - Right Front	1200	Knob Color	Stainless Steel Black Stainless Steel Matte Black Stainless Steel Smooth White	Carton Dimensions (in) (W x H x D)	32 1/2" x 51 9/16" x 30 1/2"
Center (Warming Zone)	2300	Knob material	PC+ABS	POWER/RATINGS	
OVEN FEATURES		Handle Color	Stainless Steel Black Stainless Steel Matte Black Stainless Steel Smooth White	Amp Rating at 240V	4.5A (120VAC, 60Hz)
Broil Element (BTU)	15500 / 12500	Handle Material	Stainless Steel	ACCESSORIES	
Convection (BTU)	19000 / 18000 (LNG/LPG)	Oven Door Feature	WideView™	Griddle Plate	Yes
Convection Type	Fan Convection	Cooktop Finish	Black Porcelain	Standard Rack	2
Oven Modes	Bake, Broil, EasyClean, Convection Bake			Spray Bottle	Yes
Oven Control Features	Keypad			Scouring Pad	Yes
Convection Conversion	Yes			Conversion Kit	Yes
EasyClean®	Yes	LIMITED WARRANTY			
Self Clean	Yes	Parts & Labor	1 Year	UPC CODES	
GoCook Smart Oven Light	1 Light			LRG3194ST (Stainless Steel)	048231341066
No. of Rack Positions	7			LRG3194BD (PrintProof™ Black Stainless Steel)	048231341073
Door Lock	Yes			LRG3194BM (PrintProof™ Matte Black Stainless Steel)	048231341080
Automatic Safety Shut-Down	After 12 Hours			LRG3194SW (Smooth White)	048231341103
DRAWER FEATURES					
Type	Storage				

LG COOKING

LRG3194

5.4 cu.ft Capacity Gas Single Oven Convection Range with EasyClean and Self Clean

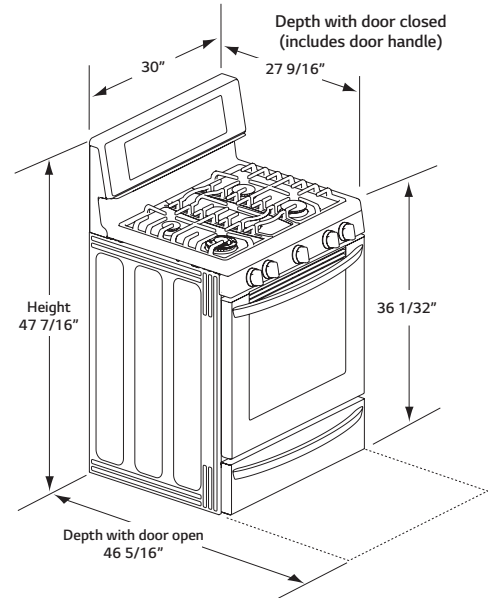
QUICK INSTALL & CLEARANCES

For full installation directions/clearances please refer to the corresponding User Manual and Installation Guide.

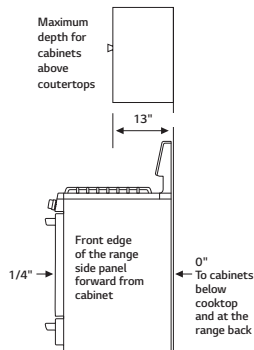
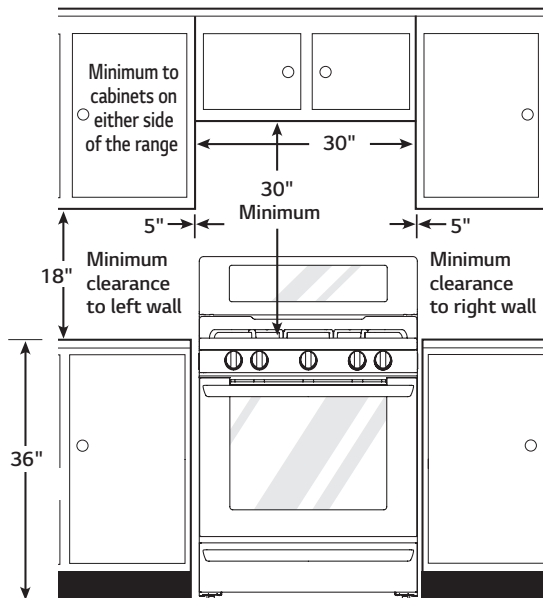
DIMENSIONS/CLEARANCES/WEIGHT	
Cabinet Width (in)	30"
Overall Depth (in) - including handle	28 3/4"
Overall Height (in)	47 7/16"
Overall Width (in)	30"
Oven Interior Dimensions (in) (W x H x D)	24 1/2" x 19 1/2" x 19 3/8"
Height to Cooking Surface (in)	36"
Drawer Dimensions (in) (W x H x D)	22 3/16" x 4 1/2" x 16 3/8"
Carton Dimensions (in) (W x H x D)	32 1/2" x 51 9/16" x 30 1/2"
POWER/RATINGS	
Amp Rating at 240V	4.5A (120VAC, 60Hz)



DIMENSIONS



INSTALLATION CLEARANCES



GAS PIPE AND ELECTRICAL LOCATIONS

